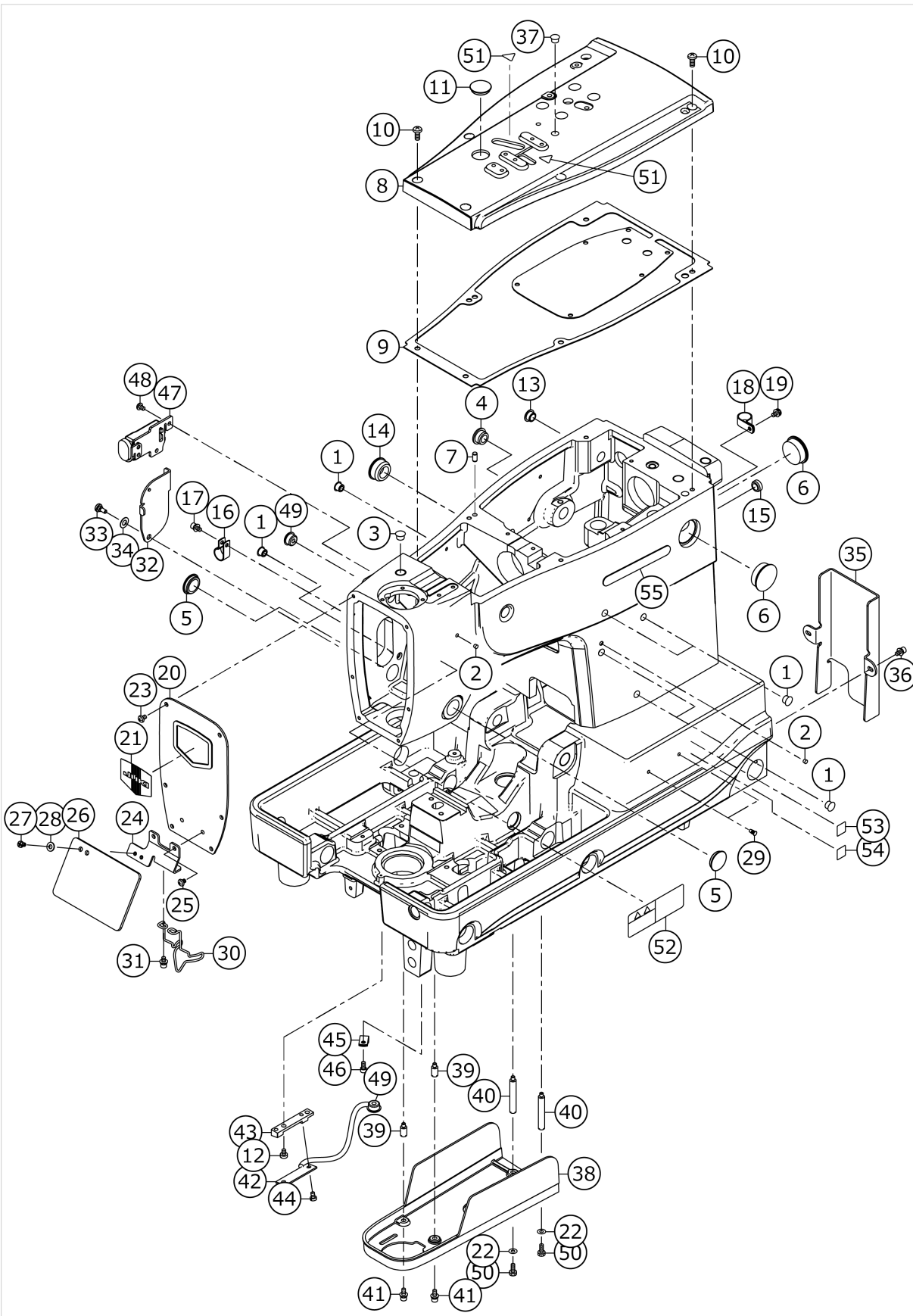


MEB3900

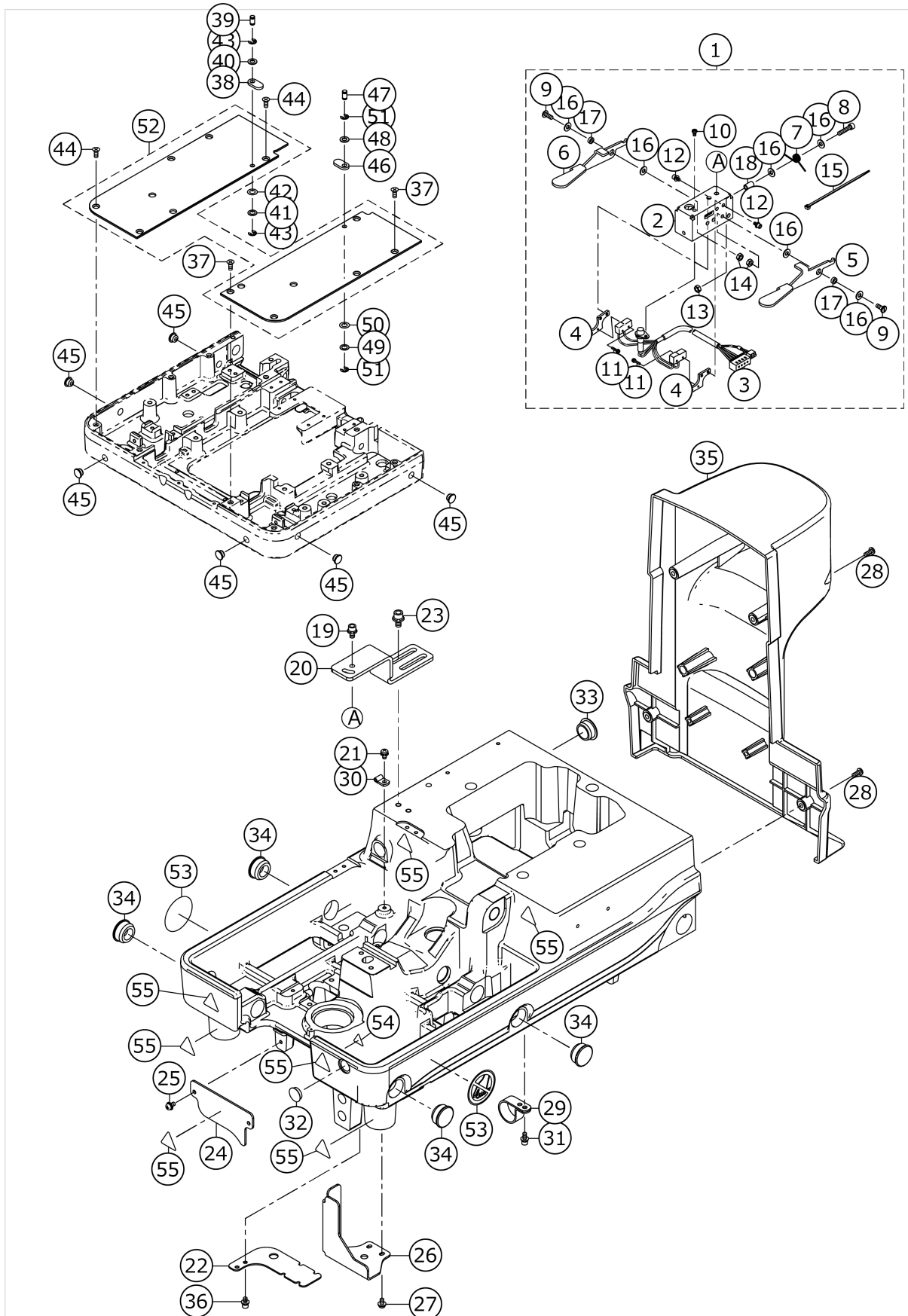
FRAME & MISCELLANEOUS COVER COMPONENTS(1)



No.	品番	品名	備考	子部品	消耗品	個数
1	TA0850604R0	RUBBER PLUG				6.00
2	TA0370301R0	PLUG D=3.7X4.4 L=3				2.00
3	TA1050504R0	RUBBER PLUG				1.00
4	TA1470704R0	RUBBER PLUG				1.00
5	TA2050406R0	RUBBER PLUG				2.00
6	B3501210000	OIL GAUGE				2.00
7	PH0500102C0	PIN M5 L=10				1.00
8	40198230	TOP_COVER_N				1.00
9	40145286	COVER PACKING				1.00
10	SM4051255SP	SCREW M5 L=12				6.00
11	TA2050406R0	RUBBER PLUG				1.00
12	SM6040610SC	SCREW M4X0.7 L=6				2.00
13	TA1250406R0	RUBBER PLUG D=12.5 L=4				1.00
14	TA2351004R0	RUBBER PLUG				1.00
15	TA1270502R0	RUBBER PLUG				1.00
16	HX00150000F	CABLE CLIP				1.00
17	SL6040892TN	BOLT				1.00
18	HX00150000H	CABLE CLIP				1.00
19	SL4040891SC	SCREW M4 L=8				1.00
20	40198231	FACE_COVER_N				1.00
21	40172374	FACE_COVER_PLATE				1.00
22	WP0430800SD	WASHER M4				2.00
23	SM4040655SP	SCREW M4 L=6				6.00
24	40115119	SAFETY PLATE BRACKET				1.00
25	SM4040655SP	SCREW M4 L=6				2.00
26	26037200	SAFETY PLATE				1.00
27	SM4040655SP	SCREW M4 L=6				2.00
28	WP0450826SC	WASHER 4.5X10X0.8				2.00
29	11001005	SCREW				2.00
30	40115120	FINGER GUARD				1.00
31	SL6040892TN	BOLT				2.00
32	40115121	ADJUST COVER				1.00
33	SD0600277TP	SHOULDER SCREW D=6 H=2.7				1.00
34	WZ0620550KP	WASHER				1.00
35	40133594	LOWER_SPROCKET_COVER				1.00
36	SL6040892TN	BOLT				2.00
37	TA0850604R0	RUBBER PLUG				1.00
38	40115125	REVOLUTION COVER				1.00
39	40115126	STUD A				2.00
40	40115127	STUD B				2.00
41	SL6041092TN	SCREW				2.00
42	40114380	LED PCB ASSY				1.00
43	40115129	LED BASE				1.00
44	SM6040602TP	SCREW M4 L=6				2.00
45	HX00150000B	CABLE CLIP				1.00
46	SM6040802TP	SCREW M4X0.7 L=8				1.00
47	40198462	SWITCH ASM.				1.00
48	SM4040655SP	SCREW M4 L=6				2.00
49	10622009	COAD BUSH				2.00
50	SM9041050SC	SCREW M4X0.7 L=10				2.00

51	CM300200001	ATTENTION SEAL				2.00
52	CM301300001	SAFETY LABEL				1.00
53	CM600100101	WEEE MARK LABEL S	FOR CE			1.00
54	40150131	EAC_MARK_LABEL_S	FOR CE			1.00
55	40172375	EMBLEM_JUKI_SMART_SOLUTIONS				2.00

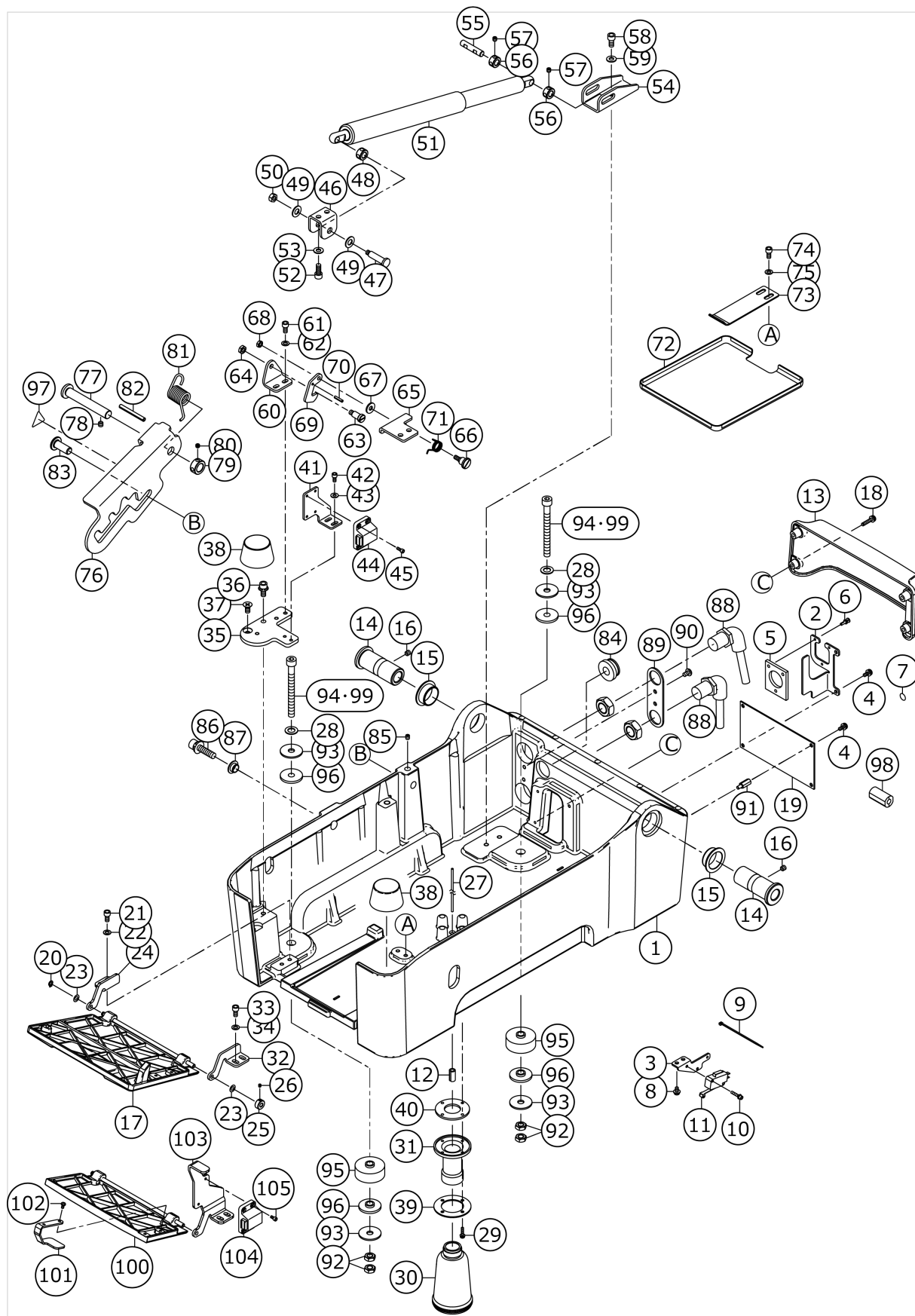
# FRAME & MISCELLANEOUS COVER COMPONENTS(2)



No.	品番	品名	備考	子部品	消耗品	個数
1	40115136	START SWITCH ASM				1.00
2	40115137	SWITCH BOX		*		1.00
3	40114430	LED SW ASM.		*		1.00
4	32078800	SWITCH FITTING PLATE		*		2.00
5	40115138	SWITCH LEVER R		*		1.00
6	40115139	SWITCH LEVER L		*		1.00
7	32079105	LEVER RETURN SPRING		*		1.00
8	SM6041802TP	SCREW M4 L=18		*		1.00
9	SM6041050TP	SCREW		*		2.00
10	SM4030501SC	SCREW M3X0.5 L=5		*		1.00
11	SL4021091SC	SCREW M2 L=10		*		4.00
12	SL6030692TN	SCREW M3 L=6		*		4.00
13	NM6040001SD	NUT M4		*		1.00
14	NM6040001SD	NUT M4		*		2.00
15	EA9500B0100	CABLE BAND		*		1.00
16	WP0450801SP	WASHER		*		6.00
17	40115140	COLLAR A		*		2.00
18	40115141	COLLAR B		*		1.00
19	SL6051292TN	BOLT				2.00
20	40145245	START SWITCH BKT				1.00
21	SL4040891SC	SCREW M4 L=8				1.00
22	40145268	CABLE HOLDER PLATE				1.00
23	SL6061292TN	SCREW				2.00
24	40145261	LOOPER CAM COVER A				1.00
25	SL4040891SC	SCREW M4 L=8				4.00
26	40145262	LOOPER CAM COVER B				1.00
27	SL4040891SC	SCREW M4 L=8				2.00
28	SM5041055SN	SCREW M4X10				4.00
29	HX00150000N	CABLE CLIP				2.00
30	HX001500000	CLIP				1.00
31	SL6041092TN	SCREW				2.00
32	TA1450404R0	RUBBER PLUG D=14.5 L=4				1.00
33	TA2100904R0	RUBBER PLUG				1.00
34	TA2351305R0	RUBBER PLUG				4.00
35	40198232	REAR_COVER_N				1.00
36	SL6040892TN	BOLT				2.00
37	SM1041001SN	SCREW M4X0.7 L=10				5.00
38	14012504	CLAMP HOLDING PLATE				1.00
39	32002008	VERTICAL SHAFT				1.00
40	WP0550800SP	WASHER 5.5X10X0.8				1.00
41	26217604	WASHER				1.00
42	WZ0620290KP	WAVED WASHER				1.00
43	RE0400000KP	E-RING 4				2.00
44	SM1041001SN	SCREW M4X0.7 L=10				5.00
45	TA0850604R0	RUBBER PLUG				6.00
46	14012504	CLAMP HOLDING PLATE				1.00
47	32002008	VERTICAL SHAFT				1.00
48	WP0550800SP	WASHER 5.5X10X0.8				1.00
49	26217604	WASHER				1.00
50	WZ0620290KP	WAVED WASHER				1.00

51	RE0400000KP	E-RING 4				2.00
52	40145244	FEED BASE COVER ASM.				1.00
53	CM100300001	MUST NOT HOLD LABEL				2.00
54	CM300200001	ATTENTION SEAL				1.00
55	CM300200002	CAUTION LABEL(25)				7.00

# BOTTOM COVER COMPONENTS



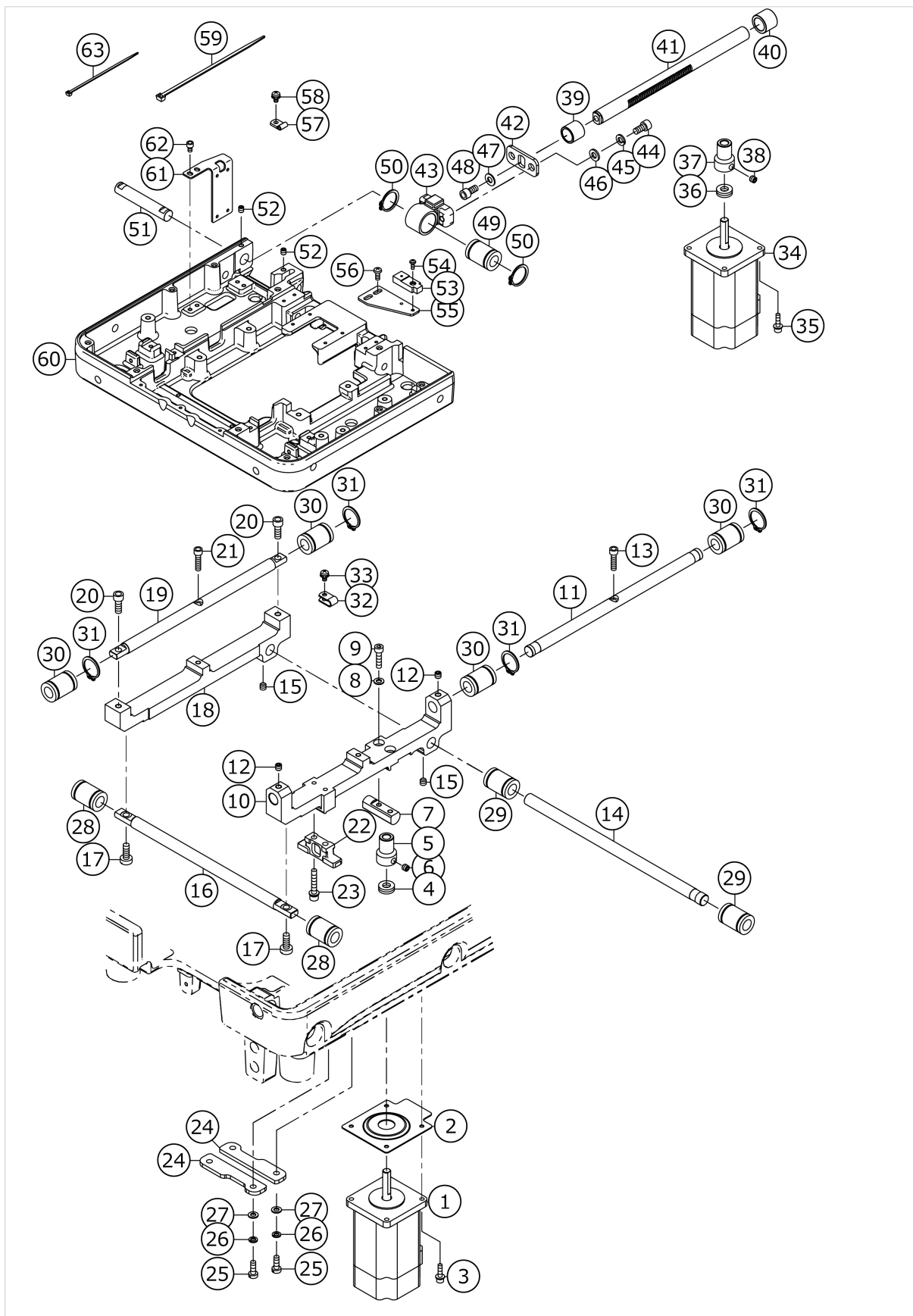
No.	品番	品名	備考	子部品	消耗品	個数
1	40198237	BOTTOM_COVER_N				1.00
2	40119992	CABLE HOLDER PLATE				1.00
3	40145265	RAISE SENSOR BRACKET				1.00
4	SL4041091SC	SCREW M4 L=10				4.00
5	40120513	CABLE FELT				1.00
6	HX00094000C	NYLON RIVET				3.00
7	22901805	GROUND MARK				1.00
8	SL4040891SC	SCREW M4 L=8				2.00
9	EA9500B0100	CABLE BAND				1.00
10	SL6031692TN	SCREW				2.00
11	32002255	SWITCH ASM.				1.00
12	PS0800162KP	SPRING PIN 8X16				1.00
13	40198238	INT_COVER_N				1.00
14	40115162	HINGE SHAFT				2.00
15	40115163	HINGE BUSH				2.00
16	SM8060612TP	SCREW M6 L=6				2.00
17	40198233	FRONT_COVER_N_ASSY	FOR DESK TOP			1.00
18	SL4042081SC	SCREW				4.00
19	40114390	INT PCB ASM				1.00
20	RC0470611KP	RETAINING RING 4.7				1.00
21	SM6051002TP	SCREW M5X0.8 L=10				2.00
22	WP0550800SP	WASHER 5.5X10X0.8				2.00
23	WZ0540100KH	WAVE WASHER 5.4X10X0.1				2.00
24	40145278	FRONT COVER BASE A				1.00
25	40040243	SPRING_HOOK				1.00
26	SM8030402TP	SCREW M3X0.5 L=4				1.00
27	CQ252000000	OIL WICK				0.12
28	12922605	GASKET				4.00
29	SL4031481SC	SCREW M3X14				4.00
30	B9121012000	OIL CAN				1.00
31	B8202205000	OIL MANAGEMENT				1.00
32	40115170	FRONT COVER BASE B	FOR DESK TOP			1.00
33	SM6051002TP	SCREW M5X0.8 L=10				2.00
34	WP0550800SP	WASHER 5.5X10X0.8				2.00
35	40115171	BASE PLATE				1.00
36	SL6061492TN	BOLT				1.00
37	SM1061201SN	SCREW M6 L=12				1.00
38	40115159	STOPPER RUBBER				2.00
39	B8111220000	WASHER				1.00
40	B8112220000	OIL SEAL				1.00
41	40115173	RATCH BRACKET B	FOR DESK TOP			1.00
42	SM6040802TP	SCREW M4X0.7 L=8	FOR DESK TOP			2.00
43	WP0450801SP	WASHER	FOR DESK TOP			2.00
44	40115174	MC LATCH	FOR DESK TOP			1.00
45	SM6030602TP	SCREW M3X0.5 L=6	FOR DESK TOP			4.00
46	40115175	GAS SPRING BRACKET UPPER				1.00
47	40089784	SHOULDER SCREW				1.00
48	CS0800881TP	THRUST COLLAR				1.00
49	B1223771000	NEEDLE ROD CRANK WASHER				2.00
50	NM6060001SC	NUT M6				1.00



51	40100390	GAS SPRING ASM.				1.00
52	SM6061402TP	SCREW M6 L=14				2.00
53	WP0621016SH	WASHER				2.00
54	40115176	GAS SPRING BRACKET LOWER				1.00
55	40100145	GAS SPRING SHAFT L				1.00
56	CS0800881TP	THRUST COLLAR				2.00
57	SM8050512TP	SCREW				4.00
58	SM6061202TP	SCREW M6 L=12				2.00
59	WP0621016SH	WASHER				2.00
60	40115177	ROCK BASE A				1.00
61	SM6051002TP	SCREW M5X0.8 L=10				2.00
62	WP0550800SP	WASHER 5.5X10X0.8				2.00
63	SD0791276TP	SHOULDER SCREW				1.00
64	NM6060003SC	NUT M6				1.00
65	40115178	ROCK BASE B				1.00
66	40115179	SHOULDER SCREW				1.00
67	WP0553216SD	WASHER				1.00
68	NM6050003SC	NUT M5X0.8				1.00
69	40115180	ROCK LEVER				1.00
70	PS0300142KH	SPRING PIN 0.3X14				1.00
71	40115181	ROCK SPRING				1.00
72	40115182	DUST TRAY				1.00
73	40115183	FIXED PLATE				1.00
74	SM6051002TP	SCREW M5X0.8 L=10				2.00
75	WP0550800SP	WASHER 5.5X10X0.8				2.00
76	40115184	HINGE STOPPER				1.00
77	40115185	PIVOT SHAFT				1.00
78	SM8060612TP	SCREW M6 L=6				1.00
79	CS1200981TP	THRUST COLLAR D=12 W=9				1.00
80	SM8050412TP	SCREW M5 L=4				2.00
81	40115186	STOPPER SPRING				1.00
82	PS0500452KP	SPRING PIN				1.00
83	40134725	HINGE STOPPER SHAFT				1.00
84	32006504	CLOTH WASTE BUSH				1.00
85	SM8050612TP	SCREW M5X6				1.00
86	SL6083092TN	SCREW				1.00
87	E2193172000	PT EV PP METAL				1.00
88	PJ304100004	UNION				2.00
89	40115188	ELBOW BRACKET				1.00
90	SM4050855SP	SCREW				2.00
91	HX00339000F	SPACER				4.00
92	NM6080003SC	NUT M8				8.00
93	WP0852086SC	WASHER M8				8.00
94	SM6088502TP	SCREW M8 L=85	FOR DESK TOP			4.00
95	40115161	BOLT RUBBER B				4.00
96	40145240	BOLT_RUBBER				8.00
97	CM300200002	CAUTION LABEL(25)				1.00
98	HN00149000D	CORES	FOR CE			3.00
99	SM6085002TP	SCREW	FOR SEMI-SUNKEN			4.00
100	40198235	FRONT_COVER_SST_N_ASM	FOR SEMI-SUNKEN			1.00

101	40157823	HANDLE	FOR SEMI-SUNKEN			1.00
102	ST5030651SN	TAPPING SCREW D=3 L=6	FOR SEMI-SUNKEN			2.00
103	40157824	FRONT COVER BASE SST	FOR SEMI-SUNKEN			1.00
104	40115174	MC_LATCH	FOR SEMI-SUNKEN			1.00
105	SM6030602TP	SCREW M3X0.5 L=6	FOR SEMI-SUNKEN			2.00

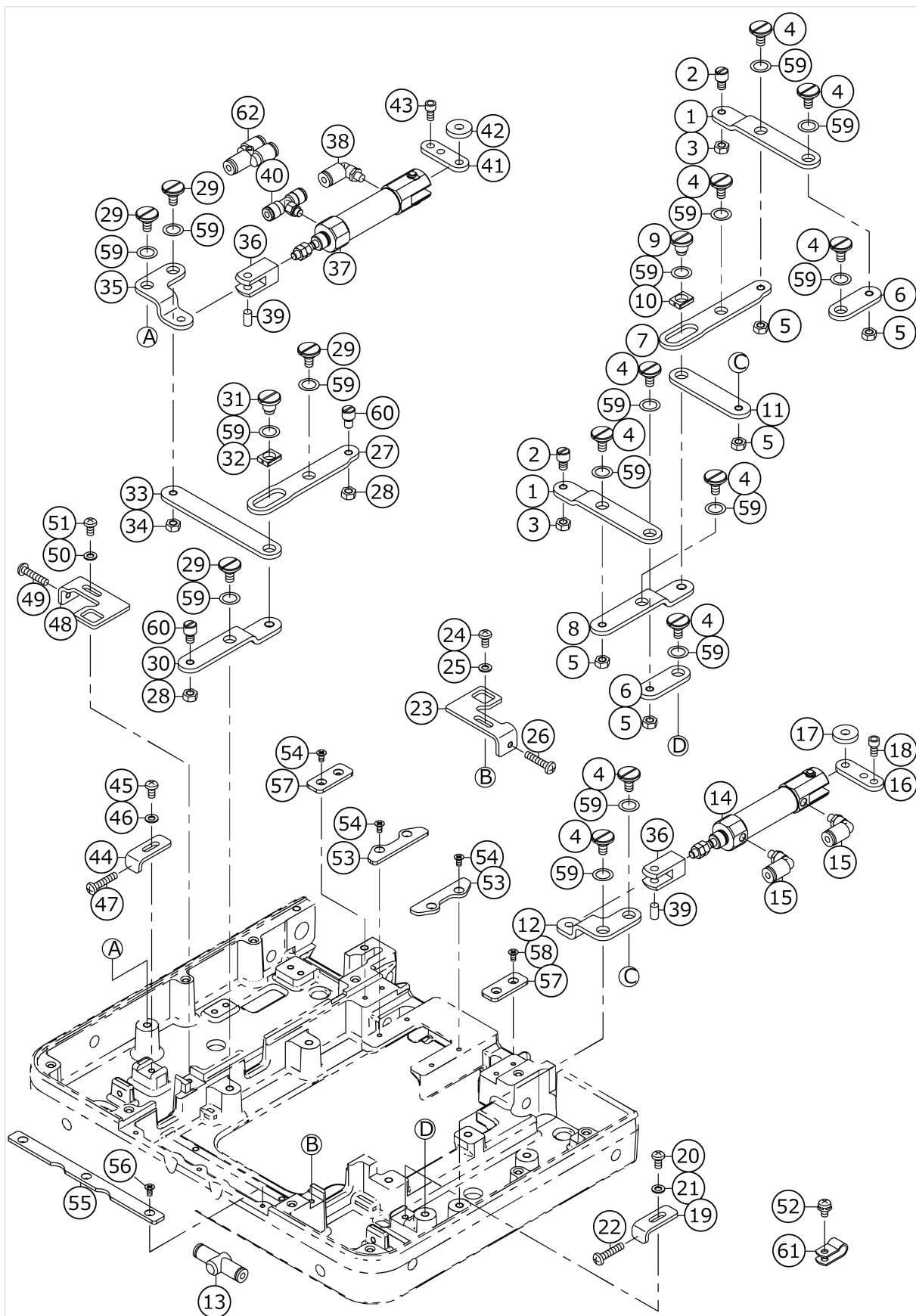
# FEED COMPONENTS



No.	品番	品名	備考	子部品	消耗品	個数
1	40149096	X_FEED_MOTOR				1.00
2	40145288	X_MOTOR_COVER				1.00
3	SL6041492TN	SCREW				4.00
4	SB408000100	BEARING				1.00
5	26501502	Y FEED GEAR				1.00
6	SM8060602TP	SCREW M6X6				2.00
7	40145253	RACK_GEAR				1.00
8	WP0531000SD	WASHER M5				2.00
9	SM6052502TP	SCREW M5X0.8 L=25				2.00
10	40145252	GUIDE_SHAFT_FIXING_BASE_R				1.00
11	40115203	VERTICAL_FEED_GUIDE_SHAFT_R				1.00
12	SM8060612TP	SCREW M6 L=6				2.00
13	SM6052002TP	SCREW M5 L=20				1.00
14	40115205	PARALLEL_FEED_SHAFT				1.00
15	SM8060612TP	SCREW M6 L=6				2.00
16	40115206	PARALLEL_FEED_SHAFT_F				1.00
17	SM6061650TP	SCREW				2.00
18	40115202	GUIDE_SHAFT_FIXING_BASE_L				1.00
19	40115204	VERTICAL_FEED_GUIDE_SHAFT_L				1.00
20	SM6061650TP	SCREW				2.00
21	SM6052002TP	SCREW M5 L=20				1.00
22	40150132	FEED_SUPPORT_BLOCK				1.00
23	SL6053092TN	SCREW				2.00
24	40150133	FEED_SUPPORT_GUIDE				2.00
25	SM6051400SP	SCREW				4.00
26	WS0510002KN	SPRING WASHER M5				4.00
27	WP0531000SC	WASHER 5.3X10X1				4.00
28	E1902172000	INSERT CARRIAGE BUSH				2.00
29	E1902172000	INSERT CARRIAGE BUSH				2.00
30	E1902172000	INSERT CARRIAGE BUSH				4.00
31	RC1951211KP	C-RING				4.00
32	HX00150000A	CABLE CLAMP				1.00
33	SL4040891SC	SCREW M4 L=8				1.00
34	40149097	Y_FEED_MOTOR				1.00
35	SL6041492TN	SCREW				4.00
36	SB408000100	BEARING				1.00
37	26501502	Y FEED GEAR				1.00
38	SM8060602TP	SCREW M6X6				2.00
39	40115209	METAL				1.00
40	40115210	METAL				1.00
41	40115211	VERTICAL_FEED_SHAFT				1.00
42	40115212	VERTICAL_FEED_FIXING_PLATE				1.00
43	40145251	BUSH_BRACKET				1.00
44	SM6061202TP	SCREW M6 L=12				2.00
45	WS0610002KN	SPRING WASHER 6.1X12.2X1.5				2.00
46	WP0641601SD	WASHER M6				2.00
47	WP0621016SH	WASHER				1.00
48	SM6061202TP	SCREW M6 L=12				1.00
49	E1902172000	INSERT CARRIAGE BUSH				1.00
50	RC1951211KP	C-RING				2.00

51	40145238	PARALLEL_SHAFT				1.00
52	SM8050612TP	SCREW M5X6				2.00
53	40114421	Y SENSOR ASM				1.00
54	SM4030801SC	SCREW M3X0.5 L=8				1.00
55	40115216	Y_SENSOR_BASE				1.00
56	SM5041055SN	SCREW M4X10				2.00
57	HX001500000	CLIP				1.00
58	SL4040891SC	SCREW M4 L=8				1.00
59	EA9500B0000	CABLE BAND				2.00
60	40198239	CLOTH_FEED_BASE_N				1.00
61	40115219	TUBE_BRACKET				1.00
62	SM6040602TP	SCREW M4 L=6				2.00
63	EA9500B0100	CABLE BAND				2.00

# CLOTH OPEN COMPONENTS

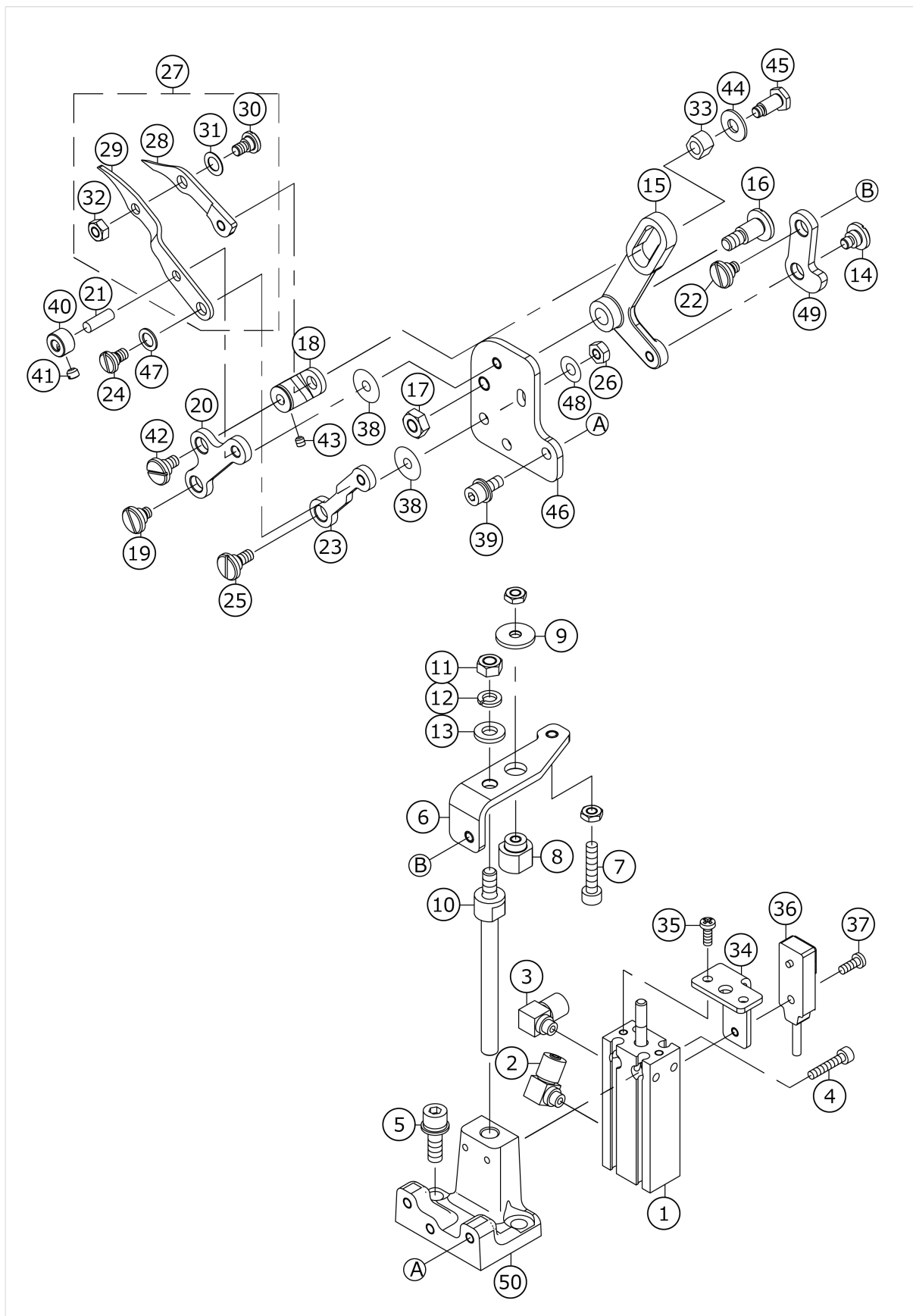


No.	品番	品名	備考	子部品	消耗品	個数
1	40115227	CLOTH OPEN LINK G				2.00
2	40115228	HOLDING PIN				2.00
3	NM6050001SC	NUT M5X0.8 TYPE1				2.00
4	SD0800327TP	SHOULDER SCREW				10.00
5	NM6050001SC	NUT M5X0.8 TYPE1				5.00
6	40115229	CLOTH OPEN LINK F				2.00
7	40115230	CLOTH OPEN LINK A				1.00
8	40115231	CLOTH OPEN LINK B				1.00
9	SD0800656TP	SHOULDER SCREW				1.00
10	40030628	SLIDE BLOCK A				1.00
11	40115232	CLOTH OPEN LINK C				1.00
12	40115233	CLOTH OPEN LINK D				1.00
13	PV010015000	QUICK EXHAUST VALVE				1.00
14	PA1602013A0	AIR CYLINDER				1.00
15	PJ3C4040504	UNION				2.00
16	32012205	CYLINDER BRACKET				1.00
17	WP0553216SD	WASHER				1.00
18	SM6040802TP	SCREW M4X0.7 L=8				2.00
19	40115234	OPEN SIDE STPPER				1.00
20	SM4040855SP	SCREW				1.00
21	WP0430800SC	WASHER M4				1.00
22	SM4042055SP	SCREW				1.00
23	40115235	CLOSE SIDE STPPER				1.00
24	SM4040855SP	SCREW				1.00
25	WP0430800SC	WASHER M4				1.00
26	SM4042055SP	SCREW				1.00
27	40115230	CLOTH OPEN LINK A				1.00
28	NM6050001SC	NUT M5X0.8 TYPE1				2.00
29	SD0800327TP	SHOULDER SCREW				4.00
30	40115231	CLOTH OPEN LINK B				1.00
31	SD0800656TP	SHOULDER SCREW				1.00
32	40030628	SLIDE BLOCK A				1.00
33	40115236	CLOTH OPEN LINK H				1.00
34	NM6050001SC	NUT M5X0.8 TYPE1				1.00
35	40115237	CLOTH OPEN LINK E				1.00
36	PX500020000	KNUCKLE JOINT				2.00
37	PA1602013A0	AIR CYLINDER				1.00
38	PJ3C4040504	UNION				1.00
39	40120491	KNUCKLE PIN				1.00
40	PJ305040502	T-UNION				2.00
41	32012205	CYLINDER BRACKET				1.00
42	WP0553216SD	WASHER				1.00
43	SM6040802TP	SCREW M4X0.7 L=8				2.00
44	40115234	OPEN SIDE STPPER				1.00
45	SM4040855SP	SCREW				1.00
46	WP0430800SC	WASHER M4				1.00
47	SM4042055SP	SCREW				1.00
48	40115235	CLOSE SIDE STPPER				1.00
49	SM4042055SP	SCREW				1.00
50	WP0430800SC	WASHER M4				1.00

51	SM4040855SP	SCREW				1.00
52	SL4040891SC	SCREW M4 L=8				2.00
53	32012809	CLOTH OPEN HOLDING PLATE REAR				2.00
54	SM1030601SC	SCREW M3 L=6				4.00
55	32012601	HOLDING PLATE FRONT				1.00
56	SM1030601SC	SCREW M3 L=6				3.00
57	32012700	HOLDING PLATE MID				2.00
58	SM1030601SC	SCREW M3 L=6				4.00
59	WZ0880200KP	WAVED WASHER				16.00
60	40115228	HOLDING PIN				2.00
61	HX00150000B	CABLE CLIP				2.00
62	PJ3C8040002	QUICK JOINT				1.00



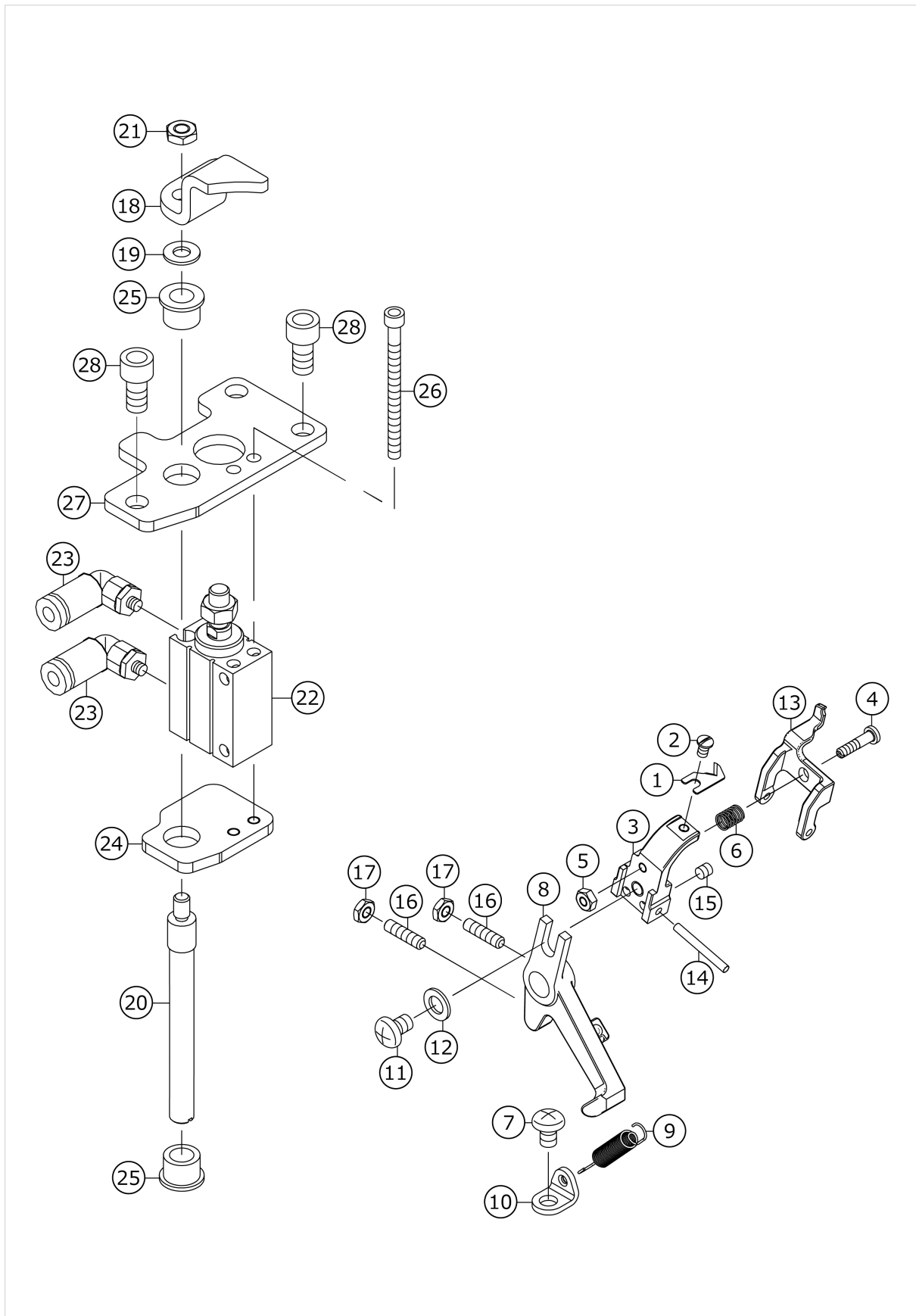
# LOWER THREAD CUTTING COMPONENTS (TYPE 01)



No.	品番	品名	備考	子部品	消耗品	個数
1	PA1002007B0	FREE MOUNT CYLINDER				1.00
2	PJ046054002	HOSE ELBOW				1.00
3	PJ046052503	HOSE ELBOW				1.00
4	SM6031602TP	SCREW				2.00
5	SL6051692TN	BOLT				2.00
6	40145260	CONNECTING_PLATE_A				1.00
7	SM6042002TP	SCREW M4X0.7 L=20				1.00
8	40145258	STOPPER_NUT				1.00
9	22913503	WASHER				1.00
10	40145259	KNIFE_DRIVE_SHAFT				1.00
11	NM6050001SC	NUT M5X0.8 TYPE1				1.00
12	WS0510002KN	SPRING WASHER M5				1.00
13	11529914	WASHER				1.00
14	40115251	SHOULDER_SCREW				1.00
15	40115252	CUTTING_LEVER				1.00
16	40115254	SHOULDER_SCREW				1.00
17	NM6050001SP	NUT M5				1.00
18	40115255	FIXING_KNIFE_GUIDE				1.00
19	40115251	SHOULDER_SCREW				1.00
20	40115256	MOVING_KNIFE_LINK_1				1.00
21	13149901	PIN				1.00
22	40115251	SHOULDER_SCREW				1.00
23	40115257	MOVING_KNIFE_LINK_2				1.00
24	40115258	SHOULDER_SCREW				1.00
25	40115259	SHOULDER_SCREW				1.00
26	NM6040001SP	NUT M4X0.7				1.00
27	40115260	KNIFE_ASSY				1.00
28	40115261	MOVING_KNIFE		*		1.00
29	40115262	FIXING_KNIFE		*		1.00
30	40115258	SHOULDER_SCREW		*		1.00
31	WZ0541510KP	WAVED WASHER 5.4X9.0X0.3		*		1.00
32	NM6040001SP	NUT M4X0.7		*		1.00
33	40115263	SQURE_BLOCK				1.00
34	40145257	KNIFE_SENSOR_BASE				1.00
35	SM4030601SC	SCREW M3 L=6				2.00
36	40149100	LT_SENSOR_ASM				1.00
37	SM4030801SC	SCREW M3X0.5 L=8				1.00
38	40126835	WASHER				2.00
39	SL6041092TN	SCREW				3.00
40	13172903	COLLAR				1.00
41	SM8040360TP	SCREW				1.00
42	40115265	ECCENTRIC PIN				1.00
43	SM8030312TP	SCREW M3 L=3				1.00
44	B2107816000	WASHER				1.00
45	40115266	SHOULDER_SCREW				1.00
46	40145255	KNIFE_BASE_PLATE				1.00
47	40115272	THRUST_WASHER				1.00
48	WP0450801SD	WASHER 4.5X10X0.8				1.00
49	40115267	CONNECT_LINK				1.00
50	40145254	LOWER_THREAD_CUTTING_BASE				1.00



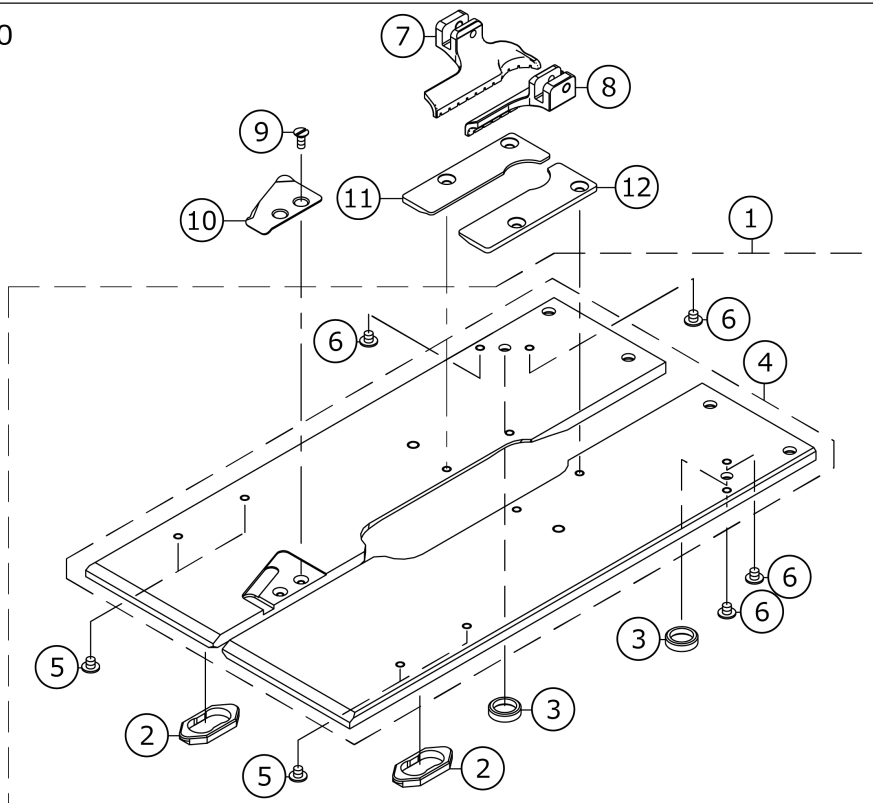
# UPPER THREAD CUTTING COMPONENTS



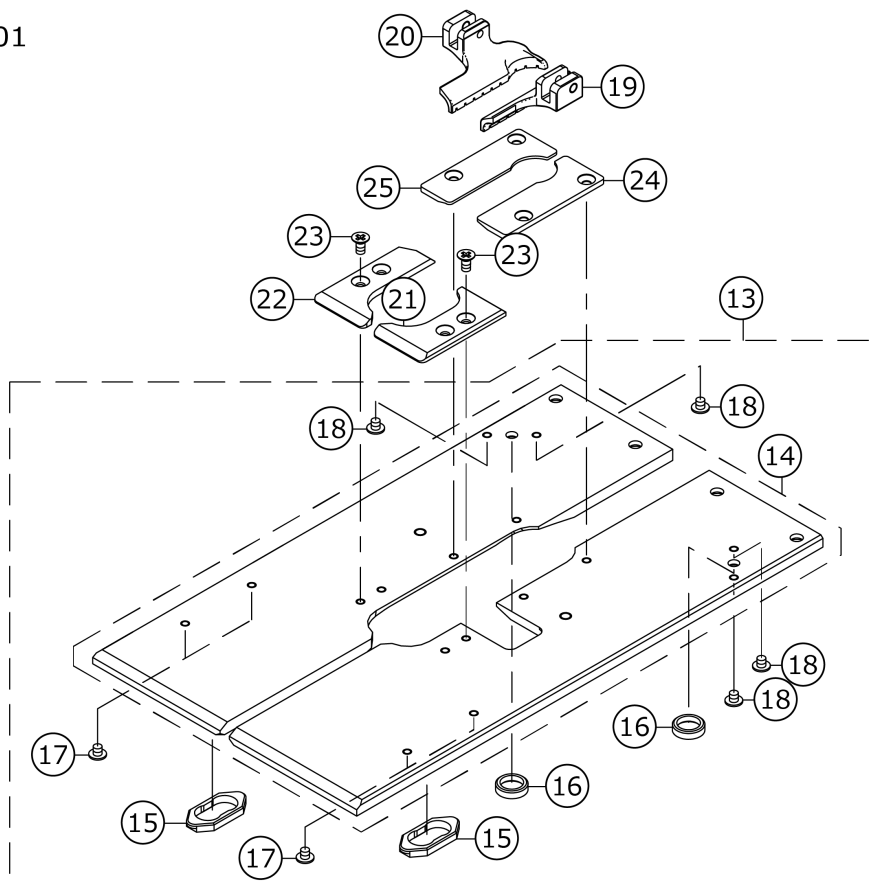
No.	品番	品名	備考	子部品	消耗品	個数
1	40115277	TRIMMER KNIFE				1.00
2	SM5850460SP	SCREW				1.00
3	40115278	KNIFE BASE				1.00
4	40115280	STOPPER PIN	TYPE 01			1.00
5	NM6850001SC	NUT M2.5X0.45 TYPE1	TYPE 01			1.00
6	40115282	THREAD HOLDER SPRING	TYPE 01			1.00
7	SM4040655SP	SCREW M4 L=6				1.00
8	40115283	KNIFE ARM				1.00
9	40115284	KNIFE SPRING				1.00
10	40115285	SPRING BRACKET				1.00
11	SM4040655SP	SCREW M4 L=6				1.00
12	WP0480856SP	WASHER 4.8X8.4X0.8				1.00
13	40115286	LOWER THREAD HOLDER	TYPE 01			1.00
14	40115288	PIN	TYPE 01			1.00
15	SM8030312TP	SCREW M3 L=3	TYPE 01			2.00
16	SM8031212TP	SCREW				2.00
17	NM6030003SC	NUT M3				2.00
18	40115289	KNIFE DRIVER ARM				1.00
19	WP0430801SC	WASHER M4				1.00
20	40115290	KNIFE DRIVE SHAFT				1.00
21	NM6040003SC	NUT M4				1.00
22	PA100153400	AIR CYLINDER				1.00
23	PJ304040301	UNION ELBOW M3				2.00
24	40115291	METAL BASE				1.00
25	G6013880000	LINK SHAFT HOLDER				2.00
26	SM6034002TN	SCREW				2.00
27	40115292	CYLINDER BASE				1.00
28	SM6051002TP	SCREW M5X0.8 L=10				3.00

# PRESSER COMPONENTS (1)

TYPE J00



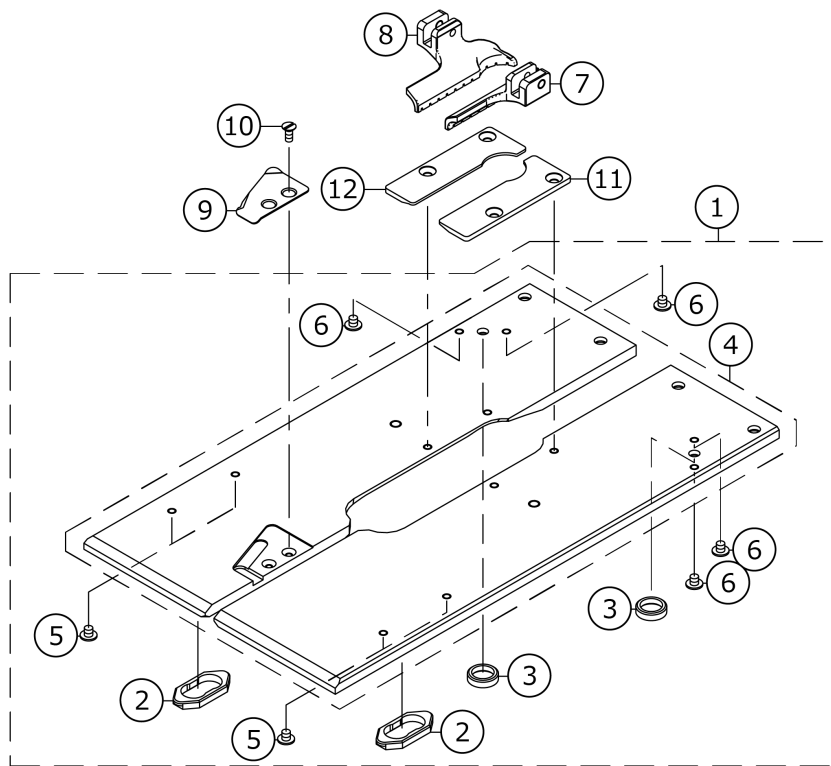
TYPE J01



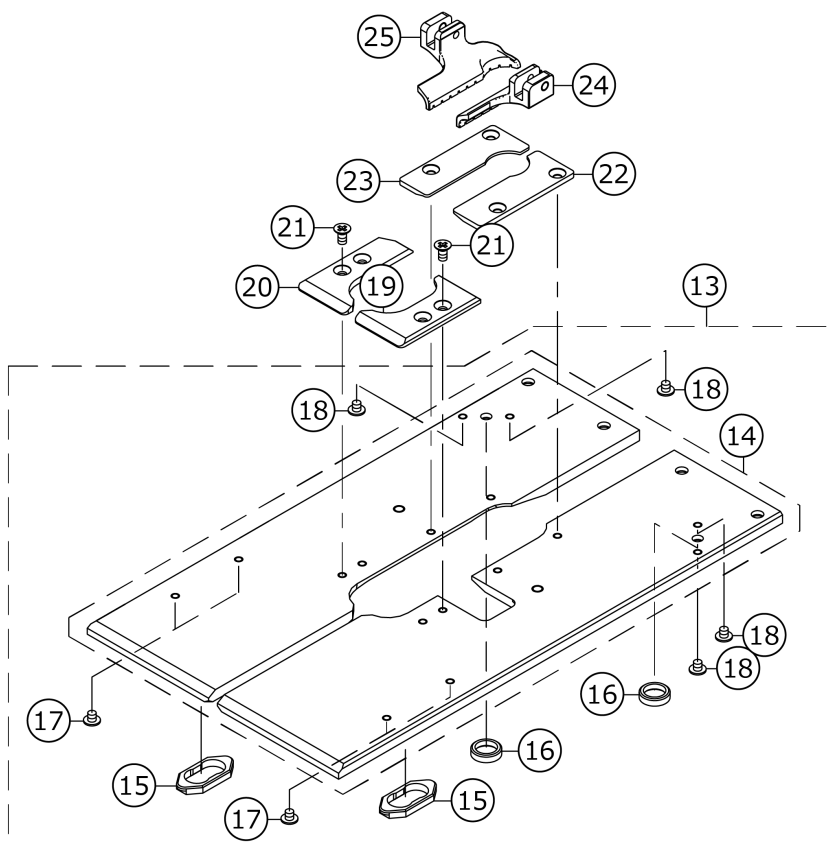
No.	品番	品名	備考	子部品	消耗品	個数
1	40153639	PRESSER_PLATE_00_ASM				1.00
2	40153647	PRESSER PLATE BUSHING B		*		2.00
3	40115307	PRESSER PLATE BUSHING A		*		2.00
4	40153640	PRESSER PLATE 00		*		1.00
5	SM0030301SN	SCREW		*		4.00
6	SM0030301SN	SCREW		*		4.00
7	40115239	PRESSER FOOT L				1.00
8	40115238	PRESSER FOOT R				1.00
9	SM1850600SP	SCREW				2.00
10	40115321	THREAD CUTTER				1.00
11	32027104	HOLDING PLATE LEFT				1.00
12	32027005	HOLDING PLATE RIGHT				1.00
13	40153643	PRESSER PLATE 01 ASM				1.00
14	40153644	PRESSER PLATE 01		*		1.00
15	40153647	PRESSER PLATE BUSHING B		*		2.00
16	40115307	PRESSER PLATE BUSHING A		*		2.00
17	SM0030301SN	SCREW		*		4.00
18	SM0030301SN	SCREW		*		4.00
19	40115240	PRESSER FOOT R 34				1.00
20	40115241	PRESSER FOOT L 34				1.00
21	40115326	KNIFE PLATE RIGHT M				1.00
22	40115327	KNIFE PLATE LEFT M				1.00
23	SM1030601SP	SCREW M3 L=6				4.00
24	40115322	HOLDING PLATE PIGHT				1.00
25	40115323	HOLDING PLATE LEFT				1.00

# PRESSER COMPONENTS (2)

TYPE C00



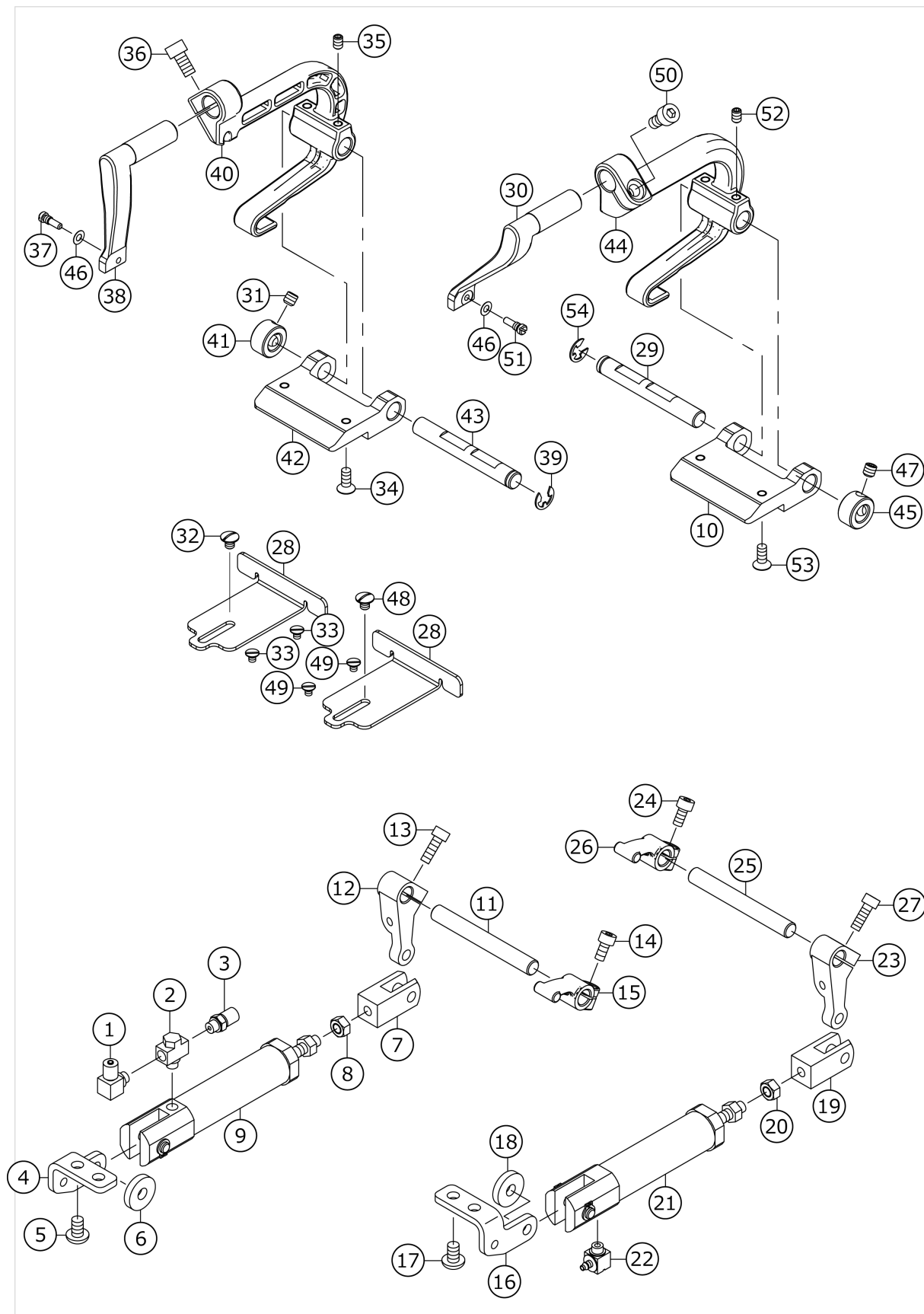
TYPE C01





No.	品番	品名	備考	子部品	消耗品	個数
1	40153639	PRESSER PLATE 00 ASM				1.00
2	40153647	PRESSER PLATE BUSHING B		*		2.00
3	40115307	PRESSER PLATE BUSHING A		*		2.00
4	40153640	PRESSER PLATE 00		*		1.00
5	SM0030301SN	SCREW		*		4.00
6	SM0030301SN	SCREW		*		4.00
7	40115316	PRESSER FOOT R				1.00
8	40115309	PRESSER FOOT L				1.00
9	40115321	THREAD CUTTER				1.00
10	SM1850600SP	SCREW				2.00
11	32027005	HOLDING PLATE RIGHT				1.00
12	32027104	HOLDING PLATE LEFTT				1.00
13	40153643	PRESSER PLATE 01 ASM				1.00
14	40153644	PRESSER PLATE 01		*		1.00
15	40153647	PRESSER PLATE BUSHING B		*		2.00
16	40115307	PRESSER PLATE BUSHING A		*		2.00
17	SM0030301SN	SCREW		*		4.00
18	SM0030301SN	SCREW		*		4.00
19	40115326	KNIFE PLATE RIGHT M				1.00
20	40115327	KNIFE PLATE LEFT M				1.00
21	SM1030601SP	SCREW M3 L=6				4.00
22	40115322	HOLDING PLATE RIGHT				1.00
23	40115323	HOLDING PLATE LEFT				1.00
24	40115324	PRESSER FOOT R 34				1.00
25	40115325	PRESSER FOOT L 34				1.00

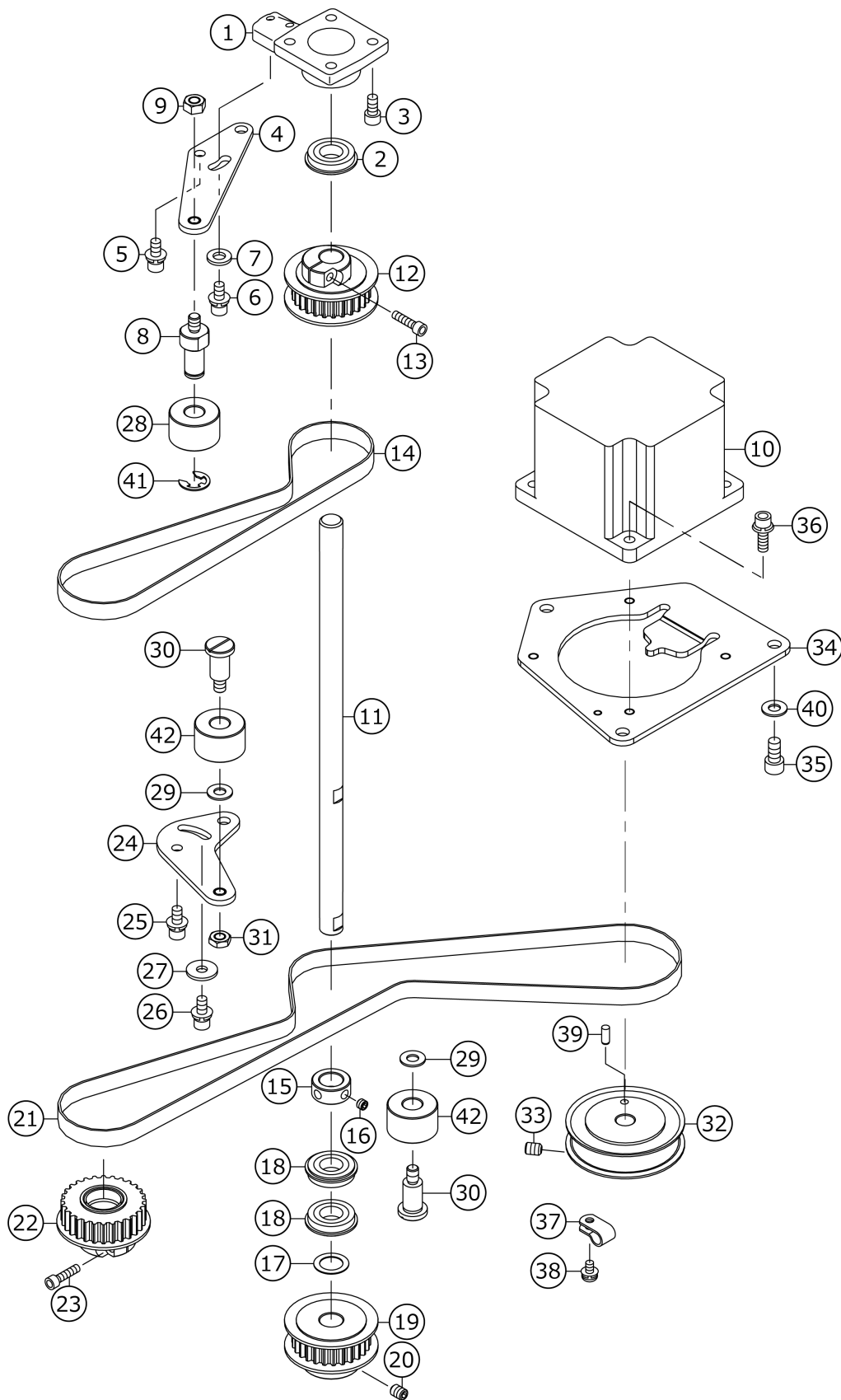
# PRESSER COMPONENTS (COMMON)



No.	品番	品名	備考	子部品	消耗品	個数
1	PJ046052503	HOSE ELBOW				1.00
2	G5681116000	UNIVERSAL TEE				1.00
3	PJ032052503	HOSE NIPPLE				1.00
4	40115302	CYLINDER BRACKET L				1.00
5	SM4050855SP	SCREW				2.00
6	WP0553216SD	WASHER				1.00
7	PX500020000	KNUCKLE JOINT				1.00
8	NM6050001SC	NUT M5X0.8 TYPE1				1.00
9	PA1602011A0	AIR CYLINDER				1.00
10	40115330	ARM INSTALLING BASE				1.00
11	32027401	PRESSER LEVER SHAFT				1.00
12	32027203	PRESSER LEVER MOVING ARM				1.00
13	SM6041202TP	SCREW M4X0.7 L=12				1.00
14	SM6040802TP	SCREW M4X0.7 L=8				1.00
15	40115303	PRESSER LEVER B				1.00
16	40115304	CYLINDER BRACKET R				1.00
17	SM4050855SP	SCREW				2.00
18	WP0553216SD	WASHER				1.00
19	PX500020000	KNUCKLE JOINT				1.00
20	NM6050001SC	NUT M5X0.8 TYPE1				1.00
21	PA1602011A0	AIR CYLINDER				1.00
22	PJ046052501	ELBOW				1.00
23	32027203	PRESSER LEVER MOVING ARM				1.00
24	SM6040802TP	SCREW M4X0.7 L=8				1.00
25	32027401	PRESSER LEVER SHAFT				1.00
26	40115303	PRESSER LEVER B				1.00
27	SM6041202TP	SCREW M4X0.7 L=12				1.00
28	40145233	VERTICAL GUIDE				2.00
29	40115313	FULCRUM SHAFT				1.00
30	40115318	PRESSER ARM RIGHT				1.00
31	SM8050512TP	SCREW				2.00
32	SM5040550TP	SCREW M4 L=5				1.00
33	SM1030400SP	SCREW M3 L=4				2.00
34	SM1041001SP	SCREW M4X0.7 L=10				2.00
35	SM8040612TP	SCREW M4 L=6				2.00
36	SM6051002TN	BOLT				1.00
37	14010508	PRESSER FOOT ATTACHING SCREW				1.00
38	40115310	PRESSER ARM LEFT				1.00
39	RE0500000KP	E-RING 5				1.00
40	40115311	PRESSER ARM BASE LEFT				1.00
41	CS0800881TP	THRUST COLLAR				1.00
42	40115330	ARM INSTALLING BASE				1.00
43	40115313	FULCRUM SHAFT				1.00
44	40115317	PRESSER ARM BASE RIGHT				1.00
45	CS0800881TP	THRUST COLLAR				1.00
46	WZ0320290UZ	WASHER 3.2X6.5X0.15				2.00
47	SM8050512TP	SCREW				2.00
48	SM5040550TP	SCREW M4 L=5				1.00
49	SM1030400SP	SCREW M3 L=4				2.00
50	SM6051002TN	BOLT				1.00

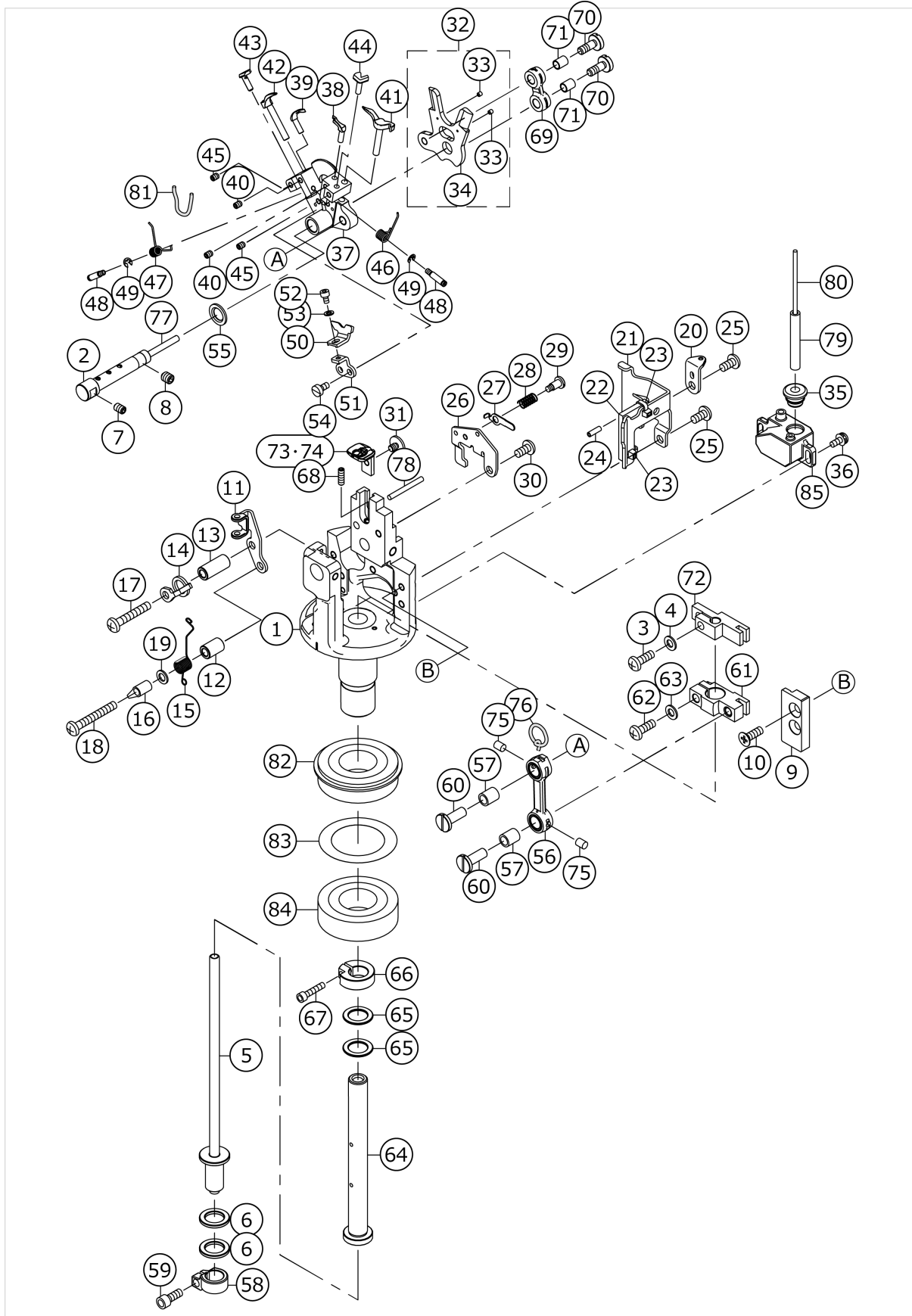
51	14010508	PRESSER FOOT ATTACHING SCREW				1.00
52	SM8040612TP	SCREW M4 L=6				2.00
53	SM1041001SP	SCREW M4X0.7 L=10				2.00
54	RE0500000KP	E-RING 5				1.00

# REVOLUTION COMPONENTS



No.	品番	品名	備考	子部品	消耗品	個数
1	40115337	CONNECTING SHAFT BLACKET				1.00
2	SB1120018C0	BEARING				1.00
3	SM6051002TN	BOLT				4.00
4	40115338	TENTION PULLEY BRACKET (UPPER)				1.00
5	SL6051292TN	BOLT				1.00
6	SL6051242TN	SCREW				1.00
7	WP0561616SC	WASHER 5.6X16X1.6				1.00
8	40145231	TENSION PULLEY PIN				1.00
9	NM6060001SE	NUT M6				1.00
10	40149098	REVOLUTION MOTOR				1.00
11	40115340	CONNECTING SHAFT				1.00
12	40115341	REVOLUTION PULLEY (UPPER)				1.00
13	SM6041602TP	SCREW M4X0.7 L=16				1.00
14	40115342	TIMING BELT (UPPER)				1.00
15	CS1200981TP	THRUST COLLAR D=12 W=9				1.00
16	SM8050412TP	SCREW M5 L=4				2.00
17	E2066715000	BU SPACER				1.00
18	SB1120018C0	BEARING				2.00
19	40115343	REVOLUTION PULLEY (LOWER)				1.00
20	SM8060812TP	SCREW M6 L=8				2.00
21	40115344	TIMING BELT (LOWER)				1.00
22	40115345	LOOPER REVOLUTION PULLEY				1.00
23	SM6041602TP	SCREW M4X0.7 L=16				1.00
24	40115346	TENSION PULLEY BRACKET (LOWER)				1.00
25	SL6051292TN	BOLT				1.00
26	SL6051242TN	SCREW				1.00
27	WP0561616SC	WASHER 5.6X16X1.6				1.00
28	40145229	REVOLUTION SHAFT TENSION PULLEY				1.00
29	WP0621016SD	WASHER 6.2X13X1				2.00
30	40145230	TENSION PULLEY SCREW				2.00
31	NM6060003SE	NUT FOR BRACKET				1.00
32	32034308	REVOLUTION MOTOR PULLEY				1.00
33	SM8060812TP	SCREW M6 L=8				2.00
34	40145285	MOTOR BRACKET				1.00
35	SM6061202TP	SCREW M6 L=12				3.00
36	SL6051692TN	BOLT				4.00
37	HX001500000	CLIP				1.00
38	SL4040891SC	SCREW M4 L=8				1.00
39	PH0400105S0	PIN 4.0X10				1.00
40	WP0621016SD	WASHER 6.2X13X1				3.00
41	RE0800000K0	E-SHAPED SNAP RING (8MM)				1.00
42	40145229	REVOLUTION SHAFT TENSION PULLEY				2.00

# LOOPER DRIVING COMPONENTS

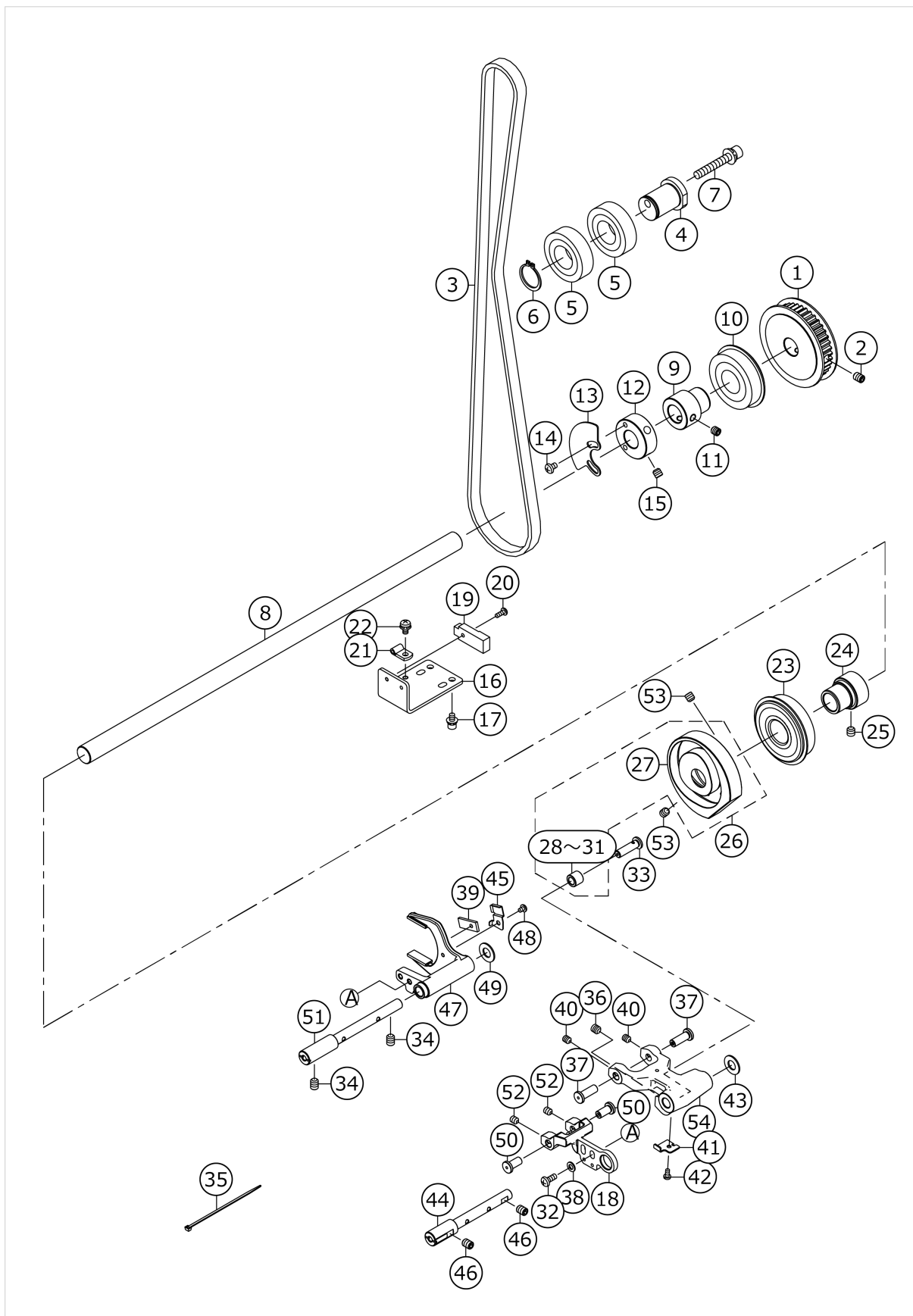


No.	品番	品名	備考	子部品	消耗品	個数
1	40144291	LOOPER_BRACKET				1.00
2	40115365	FULCRUM SHAFT				1.00
3	SM4041055SP	SCREW				1.00
4	WP0430800SD	WASHER M4				1.00
5	40115397	SPREADER SHAFT ASM				1.00
6	10112704	THRUST WASHER 1.8				2.00
7	SM8040612TP	SCREW M4 L=6				1.00
8	SM80506A2TP	SCREW M5 L=6				1.00
9	40115366	SLIDE GUIDE				1.00
10	SM1041201SC	SCREW M4 L=12				2.00
11	40115367	LOWER THREAD GUIDE				1.00
12	40115368	COLLAR				1.00
13	40115369	COLLAR				1.00
14	40115370	SPRING STOPPER				1.00
15	32052409	THREAD TAKE-UP SPRING				1.00
16	14045306	ADJUST PIN				1.00
17	SM4042555SP	SCREW M4 L=25				1.00
18	SM4043055SP	SCREW M4 L=30				1.00
19	WP0450846SP	WASHER				1.00
20	40115371	GIMP GUIDE B				1.00
21	40115400	GIMP GUARD				1.00
22	40115401	LOOPER ROD FELT				1.00
23	EA9500B0000	CABLE BAND				2.00
24	PS0250082KP	SPRING PIN 2.5X8				1.00
25	SM4040855SP	SCREW				2.00
26	40115372	GIMP GUIDE A				1.00
27	32040305	PRESSER PLATE				1.00
28	B1135850000	TENSION SPRING (A)				1.00
29	14044903	SCREW				1.00
30	SM4040855SP	SCREW				1.00
31	40115373	SCREW				1.00
32	40149782	SPREADER_DRIVING_CAM_ASM				1.00
33	B1821210D00	SHUTTLE OIL FELT B		*		2.00
34	40149783	SPREADER_DRIVING_CAM		*		1.00
35	40006840	RUBBER BUSH				1.00
36	SL4030891SC	SCREW M3X8				2.00
37	40115374	LOOPER BASE				1.00
38	40115375	LOOPER RIGHT				1.00
39	40115376	LOOPER LEFT				1.00
40	SM8030412TP	SCREW				2.00
41	40115377	SPREADER RIGHT				1.00
42	40115378	SPREADER LEFT				1.00
43	40015692	SPREADER STOPPER LEFT				1.00
44	40015693	SPREADER STOPPER RIGHT				1.00
45	SM8030412TP	SCREW				2.00
46	40115380	SPREADER SPRING RIGHT				1.00
47	40115379	SPREADER SPRING LEFT				1.00
48	40115381	SPRING GUIDE PIN				2.00
49	RE0200000K0	E-RING 2				2.00
50	40115382	NEEDLE GUARD				1.00



51	40115383	NEEDLE GUARD SUPPORT				1.00
52	SM6850402TN	BOLT M2.5 L=4				1.00
53	WP0280500SC	WASHER				1.00
54	SM6030600SP	SCREW M3X0.5 L=6				2.00
55	B4328220000	WASHER				1.00
56	40115384	LOOPER ROD ASM				1.00
57	40115387	LOOPER ROD BUSHING				2.00
58	14028708	LOOPER DRIVING SHAFT COLLAR				1.00
59	SM6041002TP	SCREW M4 L=10				1.00
60	40115388	LOOPER ROD SCREW				2.00
61	40115389	LOOPER SHAFT GUIDE				1.00
62	SM4041255SP	SCREW M4 L=12				1.00
63	WP0430800SD	WASHER M4				1.00
64	40115390	LOOPER SHAFT				1.00
65	10109700	THRUST WASHER A				2.00
66	40145234	SET COLLAR				1.00
67	SM6031402TP	SCREW				1.00
68	SM8031002TP	SCREW				1.00
69	40115394	SPREADER ROD				1.00
70	40115395	SPREADER ROD SCREW				2.00
71	14030001	LOOPER DRIVE BUSHING				2.00
72	40115396	SPREADER SHAFT GUIDE				1.00
73	40115405	NEEDLE PLATE B00	TYPE J00,C00			1.00
74	40115406	NEEDLE PLATE B01	TYPE J01,C01			1.00
75	B1820210D00	SHUTTLE OIL FELT A				2.00
76	CQ202000000	OIL WICK				0.08
77	CQ3500000F0	OIL FELT				0.02
78	CQ252200000	OIL WICK				0.05
79	23630007	TUBE				0.03
80	CQ200000000	OIL WICK				0.15
81	CQ200000000	OIL WICK				0.02
82	SB120003100	BEARING				1.00
83	40145299	BEARING SPACER				1.00
84	SB1200003C0	BEARING				1.00
85	40115402	OIL TANK				1.00

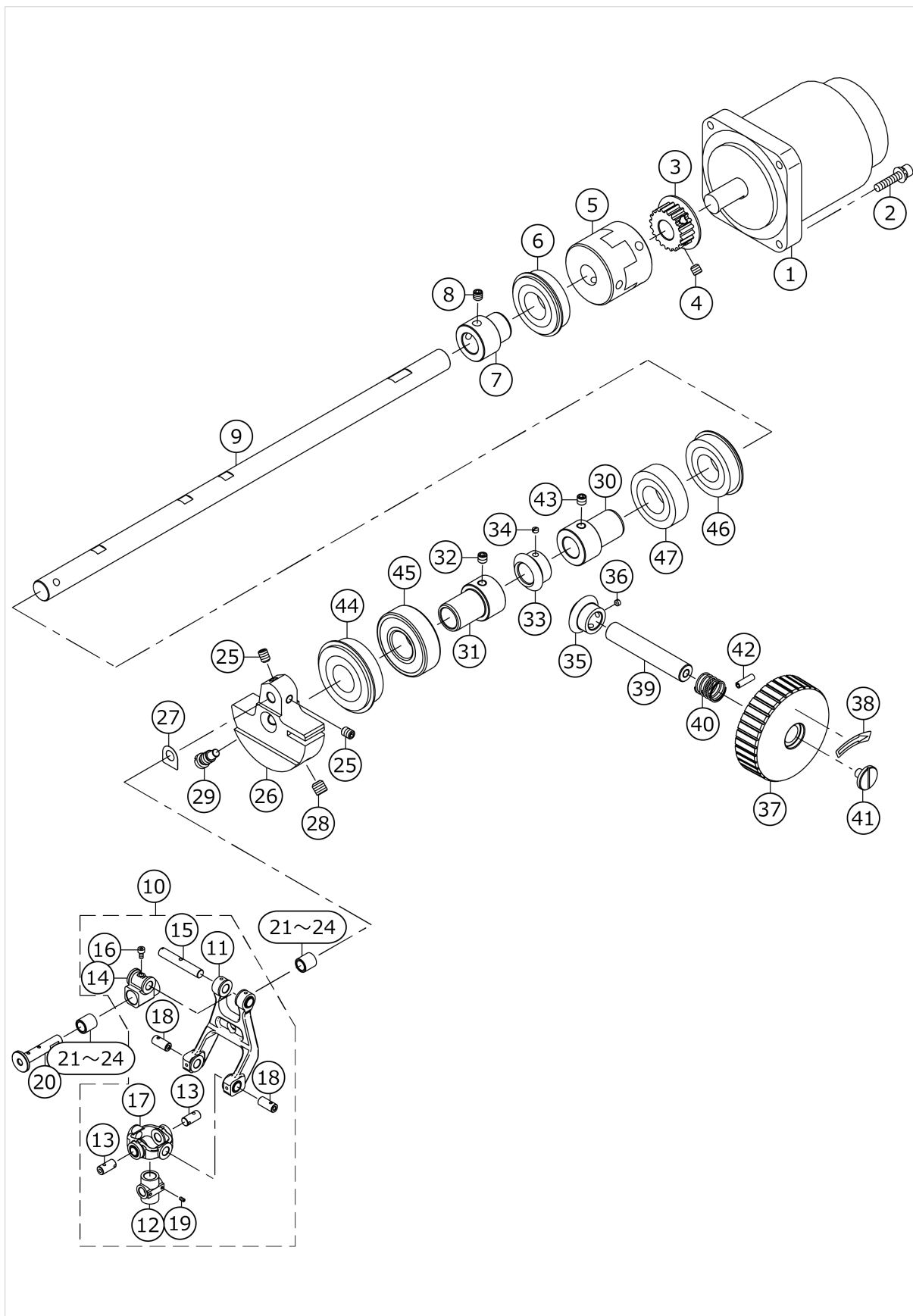
# LOWER SHAFT COMPONENTS



No.	品番	品名	備考	子部品	消耗品	個数
1	40115417	LOWER SPROCKET				1.00
2	SM80608A2TP	SCREW M6 L=8				2.00
3	40115418	TIMING BELT				1.00
4	40115419	TENSION PULLEY SHAFT				1.00
5	SB1200003C0	BEARING				2.00
6	RC1850001KP	SNAP RING 18.5				1.00
7	SM6064002TP	SCREW M6 L=40				1.00
8	40145284	LOWER SHAFT				1.00
9	23604200	MAIN SHAFT BEARING SUPPORT				1.00
10	SB1200020C0	BEARING				1.00
11	SM80606A2TP	SCREW M6 L=6				2.00
12	40115421	LOWER SHAFT SENSOR COLLAR				1.00
13	40115422	LOWER SHAFT SENSOR SLIT				1.00
14	SM4040655SP	SCREW M4 L=6				2.00
15	SM80606A2TP	SCREW M6 L=6				2.00
16	40115423	LOWER SHAFT SENSOR BRACKET				1.00
17	SL6040892TN	BOLT				2.00
18	40115439	SPREADER ARM B				1.00
19	40114424	IN SENSOR ASM				1.00
20	SM4030801SC	SCREW M3X0.5 L=8				1.00
21	HX001500000	CLIP				1.00
22	SL4040891SC	SCREW M4 L=8				1.00
23	SB120002800	BEARING				1.00
24	23605207	MAIN SHAFT BEARING SUPPORT				1.00
25	SM80606A2TP	SCREW M6 L=6				2.00
26	40115426	LOOPER DRIVING CAM ASM				1.00
27	40115427	LOOPER DRIVING CAM		*		1.00
28	40115430	CAM ROLLER A	SELECTIVE PARTS	*		1.00
29	40115431	CAM ROLLER B	SELECTIVE PARTS	*		1.00
30	40115432	CAM ROLLER C	SELECTIVE PARTS	*		1.00
31	40115433	CAM ROLLER D	SELECTIVE PARTS	*		1.00
32	SM4041055SP	SCREW				2.00
33	40115425	CAM ROLLER SHAFT				1.00
34	SM80608A2TP	SCREW M6 L=8				2.00
35	EA9500B0100	CABLE BAND				3.00
36	SM80606A2TP	SCREW M6 L=6				1.00
37	40115434	LOOPER FORK PIN				2.00
38	WP0430800SD	WASHER M4				2.00
39	40115440	SPREADER ARM FELT				1.00
40	SM80506A2TP	SCREW M5 L=6				2.00
41	40115435	LOOPER TUBE CLAMP				1.00
42	SM4030655SP	SCREW				1.00
43	13312202	THRUST WASHER				1.00
44	40115436	LOOPER ARM SHAFT				1.00
45	40115441	SPREADER FELT CLAMP				1.00
46	SM80608A2TP	SCREW M6 L=8				2.00

47	40115437	SPREADER ARM A				1.00
48	SM4030455SP	SCREW				1.00
49	13312202	THRUST WASHER				1.00
50	40115438	SPREADER FORK PIN				2.00
51	40115442	SPREADER ARM SHAFT				1.00
52	SM80506A2TP	SCREW M5 L=6				2.00
53	SM8480652TP	SCREW				2.00
54	40115424	LOOPER ARM				1.00

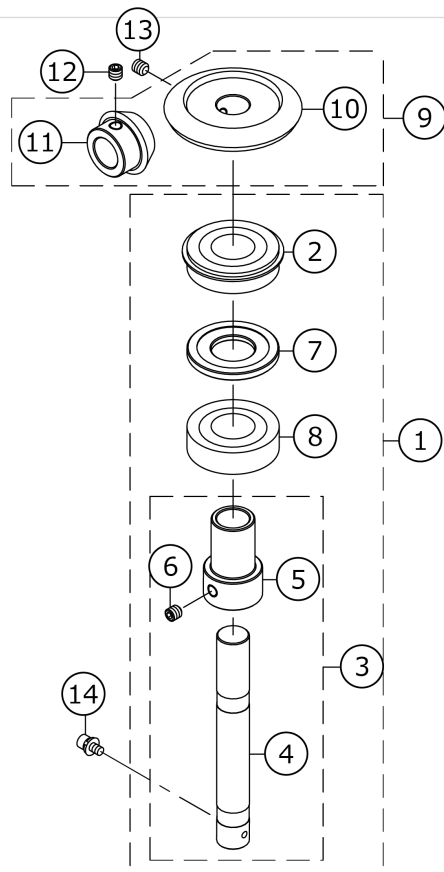
# UPPER SHAFT COMPONENTS



No.	品番	品名	備考	子部品	消耗品	個数
1	40114444	AC SERVO MOTOR				1.00
2	SL6052592TN	BOLT				3.00
3	40115452	UPPER SPROCKET				1.00
4	SM80606A2TP	SCREW M6 L=6				2.00
5	40051473	COUPLING ASM.				1.00
6	SB120001600	BEARING				1.00
7	23604200	MAIN SHAFT BEARING SUPPORT				1.00
8	SM80606A2TP	SCREW M6 L=6				2.00
9	40115453	UPPER SHAFT				1.00
10	40151034	CRANK ROD ASM				1.00
11	40151035	CRANK ROD METAL ASM		*		1.00
12	40115458	NEEDLE BAR CONNECTION		*		1.00
13	40115467	NEEDLE BAR CONNECTION BASE SHAFT		*		2.00
14	40115459	CRANK ROD ROCKING SHAFT BASE		*		1.00
15	40115461	CRANK ROD SEESAW SHAFT		*		1.00
16	SM6850502TN	SCREW M2.5 L=5		*		1.00
17	40151037	CONNECTION BASE ASM		*		1.00
18	40115460	NEEDLE BAR CONNECTIONBASE SHAFT		*		2.00
19	SM8020452TP	SCREW		*		2.00
20	40115464	CRANK ROD ROCKING SHAFT				1.00
21	SB3070002CA	BEARING	SELECTIVE PARTS			2.00
22	SB3070002CB	BEARING	SELECTIVE PARTS			2.00
23	SB3070002CC	BEARING	SELECTIVE PARTS			2.00
24	SB3070002CD	BEARING	SELECTIVE PARTS			2.00
25	SM8060812TP	SCREW M6 L=8				2.00
26	40115465	COUNTER WEIGHT				1.00
27	40115468	COUNTER WEIGHT PLATE				1.00
28	SM8080812TP	SCREW M8X8				1.00
29	13309208	SCREW FOR COUNTERWEIGHT				1.00
30	40115466	MAIN SHAFT BEARING SUPPORT				1.00
31	40115466	MAIN SHAFT BEARING SUPPORT				1.00
32	SM80606A2TP	SCREW M6 L=6				2.00
33	40006515	GEAR A				1.00
34	SM8040310SS	SCREW M4 L=3				2.00
35	40006516	GEAR B				1.00
36	SM8040310SS	SCREW M4 L=3				2.00
37	B1212210D00	PULLEY				1.00
38	CM500200001	DIRECTION LABEL				1.00
39	40044053	PULLEY SHAFT				1.00
40	GAF01007000	SPRING				1.00
41	A1230500000A	HANDWHEEL SETSCREW				1.00
42	PS0400142KH	SPRING PIN 4X14				1.00
43	SM80606A2TP	SCREW M6 L=6				2.00
44	SB1200020C0	BEARING				1.00
45	SB120002900	BEARING				1.00
46	SB120001600	BEARING				1.00

47	SB1200003C0	BEARING				1.00
----	-------------	---------	--	--	--	------

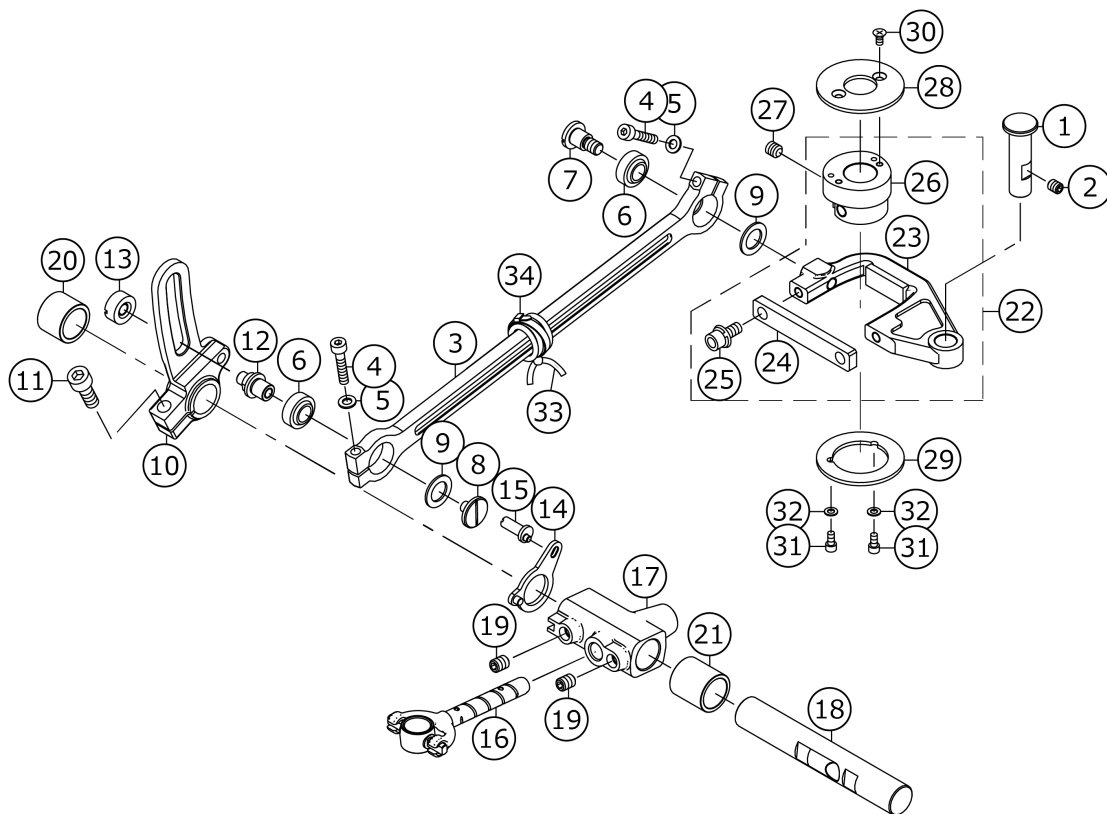
# VERTICAL SHAFT COMPONENTS





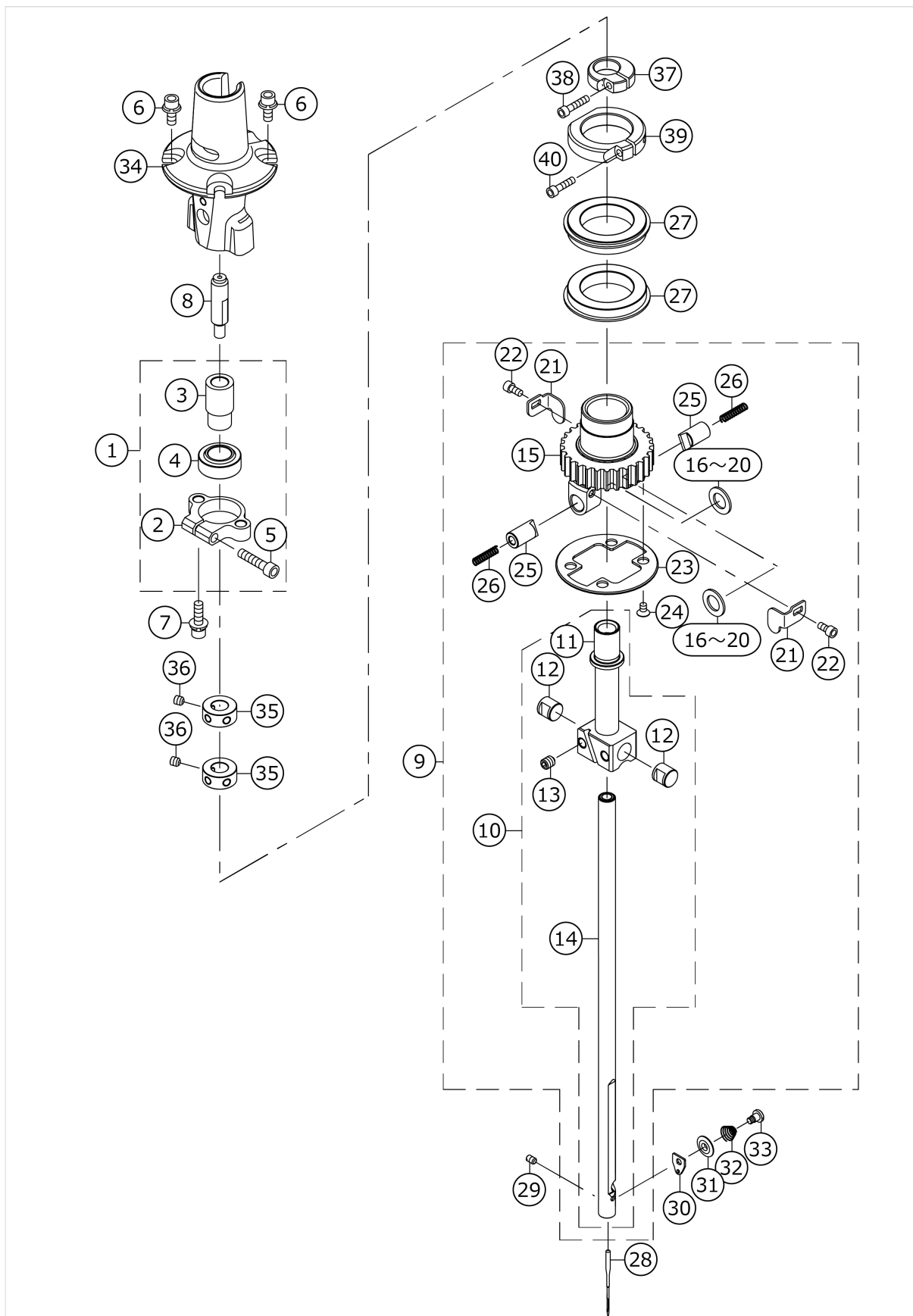
No.	品番	品名	備考	子部品	消耗品	個数
1	40149577	VERTICAL SHAFT BEARING ASM.				1.00
2	SB120001600	BEARING		*		1.00
3	40131483	BALANCE BUSH ASM.		*		1.00
4	40115477	VERTICAL SHAFT		*		1.00
5	40115478	BALANCE BUSH		*		1.00
6	SM80606A2TP	SCREW M6 L=6		*		2.00
7	40115479	BEARING COLLER		*		1.00
8	SB1200003C0	BEARING		*		1.00
9	40132293	VERTICAL_SHAFT_GEAR_ASM				1.00
10	40132292	VERTICAL_SHAFT_GEAR_UPPER		*		1.00
11	40132291	UPPER_SHAFT_GEAR		*		1.00
12	SM80606A2TP	SCREW M6 L=6				2.00
13	SM80606A2TP	SCREW M6 L=6				2.00
14	SL6040642TN	BOLT				1.00

# NEEDLE BAR ROCKING COMPONENTS



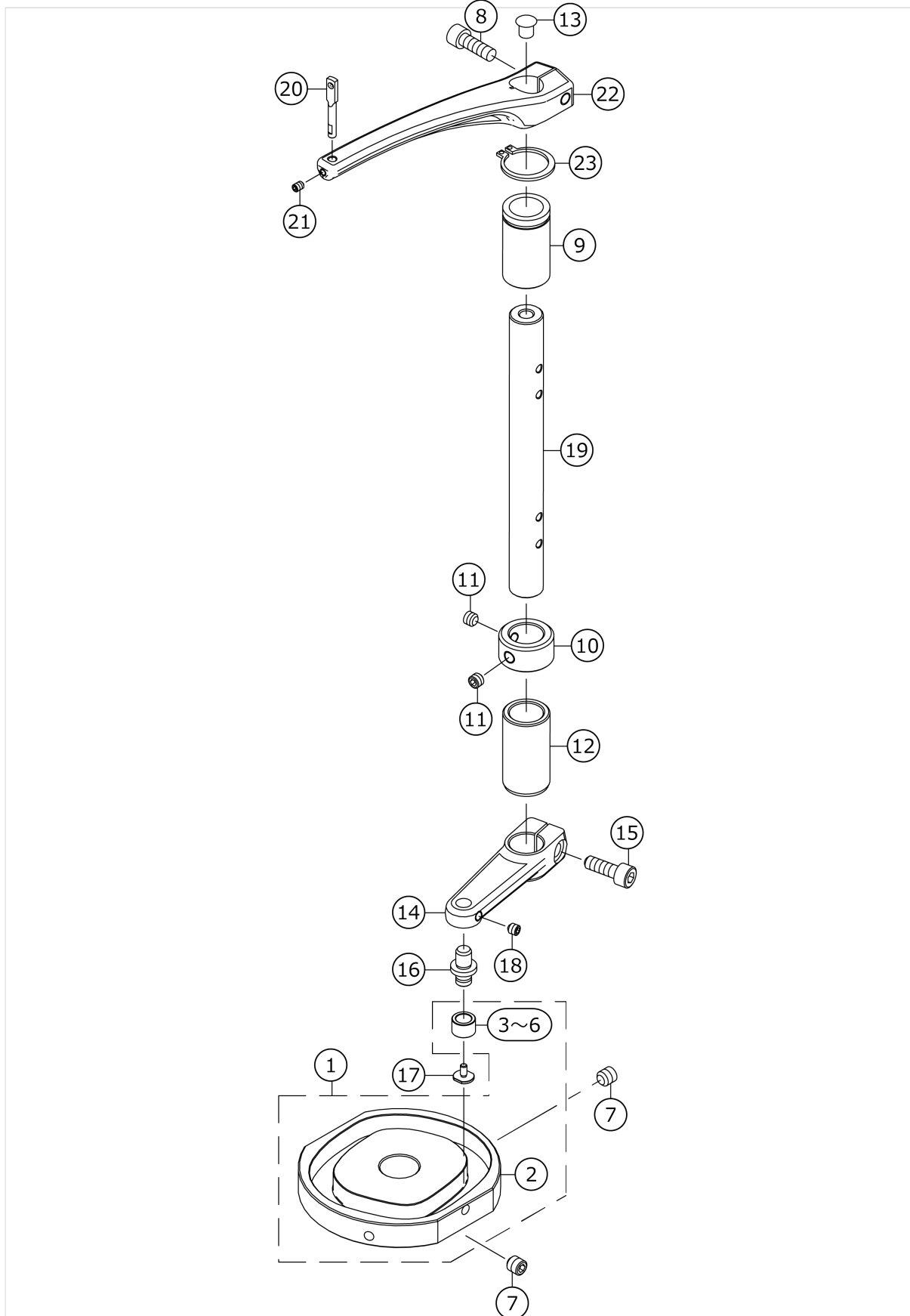
No.	品番	品名	備考	子部品	消耗品	個数
1	40115514	PITMAN FULCRAUM SHAFT				1.00
2	SM8050612TP	SCREW M5X6				1.00
3	40115493	ROCKING LINK A				1.00
4	SM6042002TP	SCREW M4X0.7 L=20				2.00
5	WP0430800SC	WASHER M4				2.00
6	SB8080002C0	BEARING				2.00
7	SD0800746TP	SHOULDER SCREW				1.00
8	SM6050650TP	SCREW M5 L=6				1.00
9	40086712	CONNECTING ROD FELT				2.00
10	40115494	ADJUSTING ARM				1.00
11	SM6061602TP	SCREW M6 L=16				1.00
12	40115495	HINGE SCREW				1.00
13	40115496	ADJUST NUT				1.00
14	40115497	ASSY POSITION CONTROL PLATE				1.00
15	40115500	ECCENTRIC SHAFT				1.00
16	40115501	ASSY NEEDLE BAR LOCK LINK				1.00
17	40115504	ROCKING BASE				1.00
18	40115505	FULCRAUM SHAFT				1.00
19	SM8060812TP	SCREW M6 L=8				2.00
20	40115506	METAL L				1.00
21	40115507	METAL R				1.00
22	40115508	ASSY ROCKING CAM				1.00
23	40115509	NEEDLE BAR PITMAN		*		1.00
24	40115510	PITMAN PLATE		*		1.00
25	SL6051292TN	BOLT		*		2.00
26	40115511	ROCKING CAM		*		1.00
27	SM8480652TP	SCREW				2.00
28	40115512	CAM PLATE				1.00
29	40115513	CAM PLATE U				1.00
30	SM1030601SP	SCREW M3 L=6				2.00
31	SM6030602TP	SCREW M3X0.5 L=6				2.00
32	WP0320500SC	WASHER M3				2.00
33	CQ252200000	OIL WICK				0.30
34	EA9500B0200	CABLE BAND 150				1.00

# NEEDLE BAR COMPONENTS



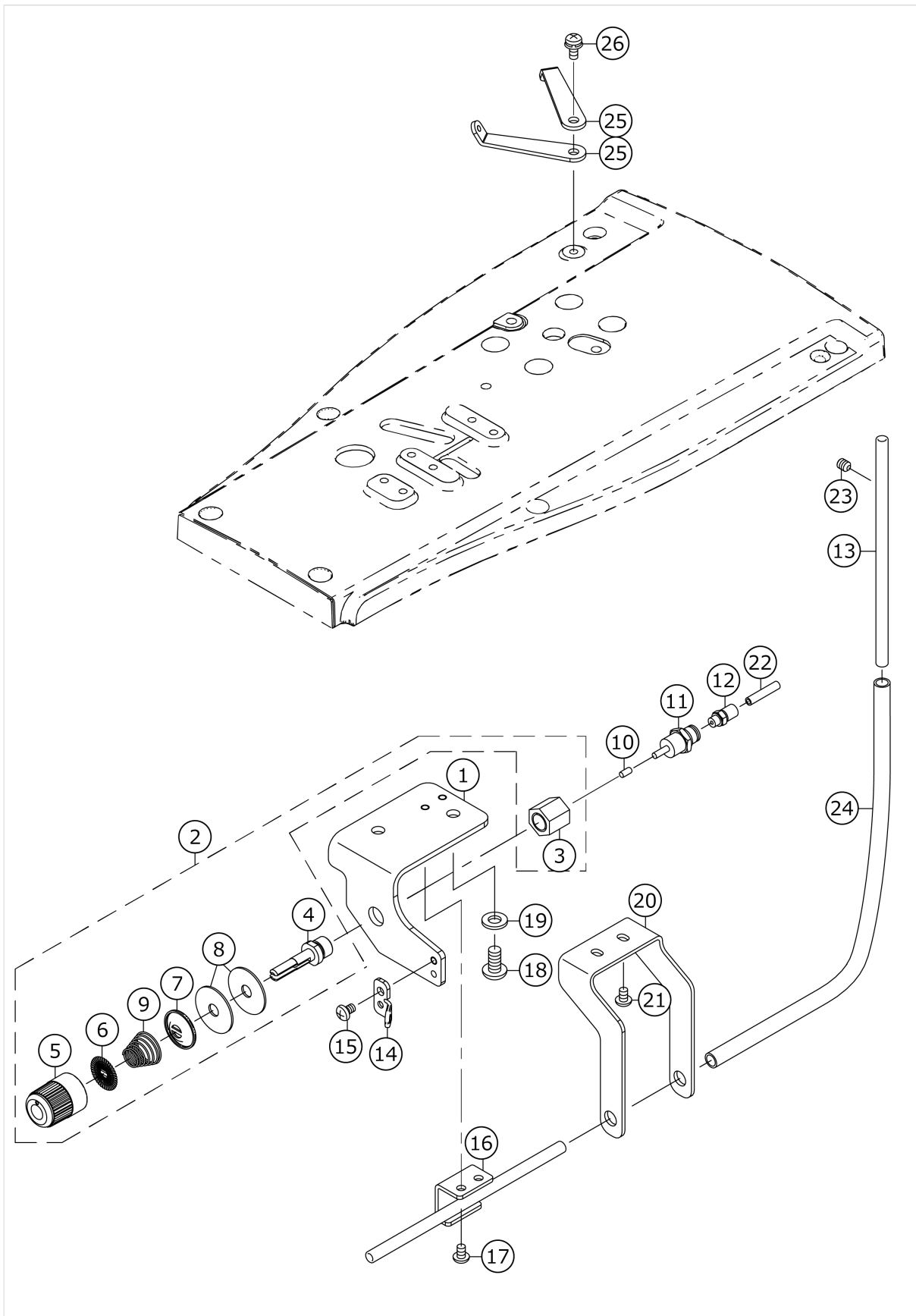
No.	品番	品名	備考	子部品	消耗品	個数
1	40115550	NEEDLE BAR METAL ASM				1.00
2	40115546	NEEDLE BAR METAL HOLDER		*		1.00
3	40115545	NEEDLE BAR METAL COLLAR		*		1.00
4	40115547	BEARING		*		1.00
5	SM6041802TP	SCREW M4 L=18		*		1.00
6	SL6041092TN	SCREW				4.00
7	SL6041492TN	SCREW				2.00
8	40115525	NEEDLE BAR THREAD GUIDE ASM				1.00
9	40145281	ASSY NEEDLE BAR				1.00
10	40151038	NEEDLE BAR ROCKING BASE ASM		*		1.00
11	40151039	NEEDLE BAR ROCKING BASE		*		1.00
12	40115530	NEEDLE BAR THRUST PIN		*		2.00
13	SM80506A2TP	SCREW M5 L=6		*		2.00
14	40115531	NEEDLE BAR		*		1.00
15	40145279	REVOLUTION SPROCKET		*		1.00
16	40151040	THRUST WASHER A	SELECTIVE PARTS	*		2.00
17	40151041	THRUST WASHER B	SELECTIVE PARTS	*		2.00
18	40151042	THRUST WASHER C	SELECTIVE PARTS	*		2.00
19	40151043	THRUST WASHER D	SELECTIVE PARTS	*		2.00
20	40151044	THRUST WASHER E	SELECTIVE PARTS	*		2.00
21	40115535	ROCKING GUIDE HOOK		*		2.00
22	SM6030602TP	SCREW M3X0.5 L=6		*		2.00
23	40145280	FRANGE B		*		1.00
24	SM1030501SC	SCREW M3 L=5		*		4.00
25	14009104	NEEDLE BAR ROCKING GUIDE		*		2.00
26	14009203	SPRING		*		2.00
27	SB1250005C0	BEARING				2.00
28	MC185801100	NEEDLE SCHMETZ 558 NM110				1.00
29	SM8430550TP	SCREW M3X0.35 L=4.5				1.00
30	40115448	THREAD GUIDE				1.00
31	B2313180000	TENSION DISC				1.00
32	14045900	TENSION SPRING				1.00
33	14045801	SCREW				1.00
34	40115524	NEEDLE BAR COVER				1.00
35	40115492	COLLAR				2.00
36	SM8040412TP	SET SCREW M4 L=4				6.00
37	40115543	THRUST COLLAR				1.00
38	SM6031402TP	SCREW				1.00
39	40115544	REVOLUTION COLLAR				1.00
40	SM6031202TP	SCREW M3X0.5 L=12				1.00

# THREAD TAKE-UP LEVER COMPONENTS



No.	品番	品名	備考	子部品	消耗品	個数
1	40115563	TAKE UP CAM ASM				1.00
2	40115564	TAKE UP CAM		*		1.00
3	40099989	SPREADER CAM ROLLER A	SELECTIVE PARTS	*		1.00
4	40099990	SPREADER CAM ROLLER B	SELECTIVE PARTS	*		1.00
5	40099991	SPREADER CAM ROLLER C	SELECTIVE PARTS	*		1.00
6	40099992	SPREADER CAM ROLLER D	SELECTIVE PARTS	*		1.00
7	SM80606A2TP	SCREW M6 L=6				2.00
8	SM6051552TP	SCREW M5 L=15				1.00
9	40145236	THREAD TAKE UP METAL U				1.00
10	40115561	THRUST COLLER				1.00
11	SM8050412TP	SCREW M5 L=4				2.00
12	40115562	THREAD TAKE UP METAL L				1.00
13	TA0550604R0	RUBBER PLUG				1.00
14	40115566	THREAD TAKE UP LEVER L				1.00
15	SM6051552TP	SCREW M5 L=15				1.00
16	40115567	ROLLER SHAFT				1.00
17	40099923	CAM ROLLER SCREW				1.00
18	SM8040402TP	SCREW M4X0.7 L=4				1.00
19	40115557	THREAD TAKE UP LEVER SHAFT				1.00
20	40115558	TAKE UP THREAD GUIDE				1.00
21	SM8030412TP	SCREW				1.00
22	40115559	THREAD TAKE UP LEVER U				1.00
23	RC1650001KP	RETAINING RING 16.5				1.00

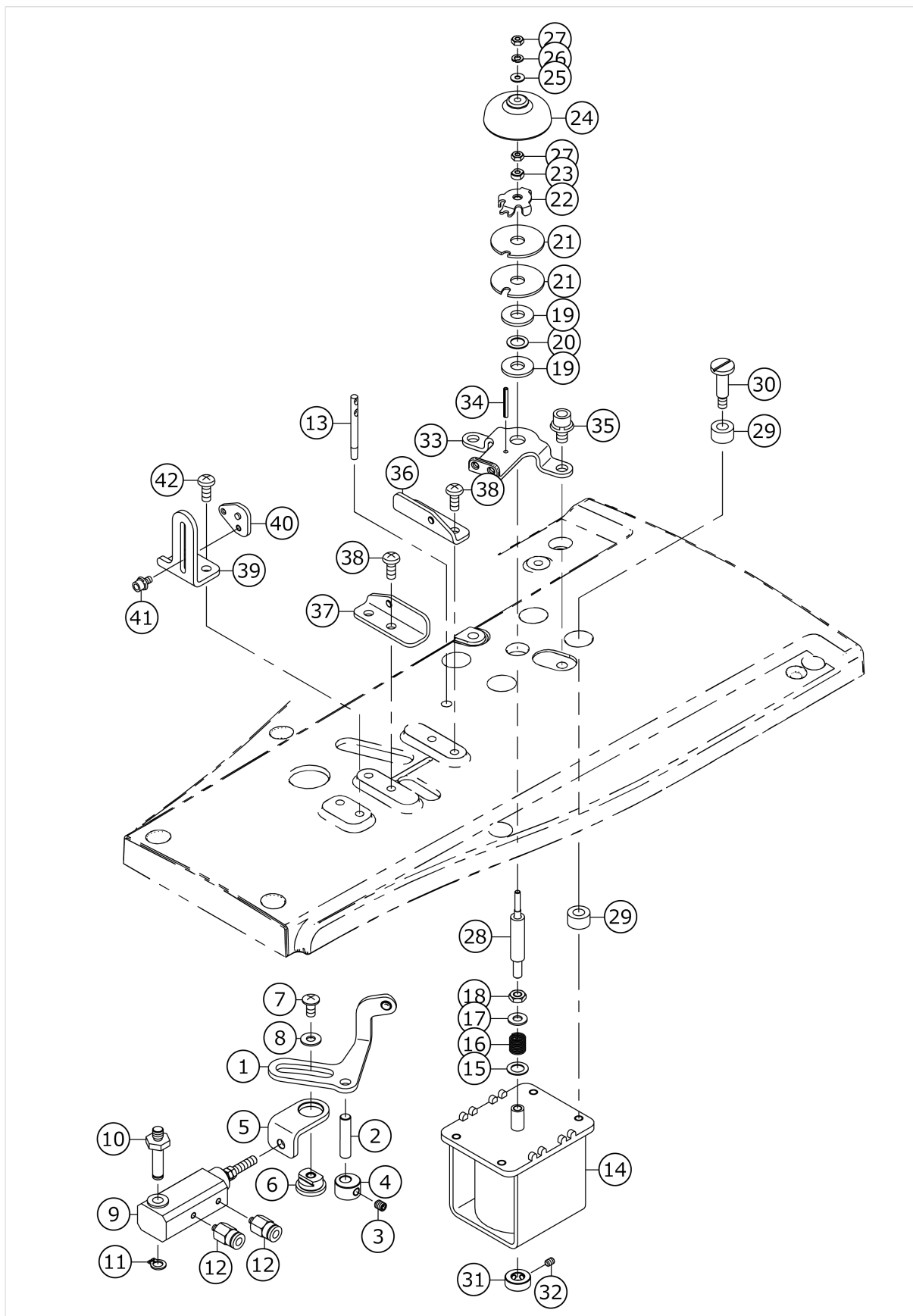
# LOWER THREAD HAUL COMPONENTS





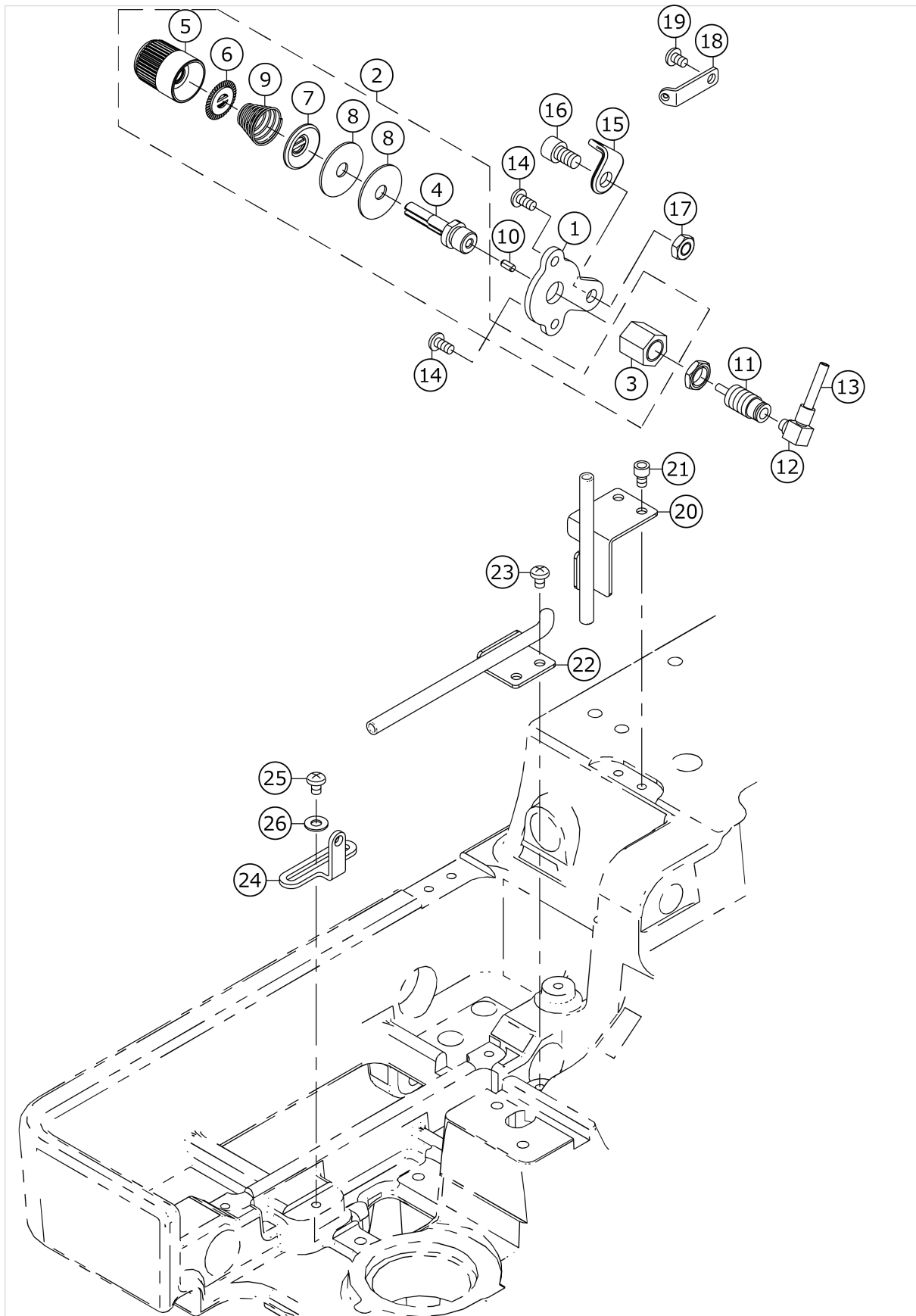
No.	品番	品名	備考	子部品	消耗品	個数
1	40118782	THREAD TENSION BRACKET				1.00
2	40115578	LOWER THREAD TENSION ASM				1.00
3	40115579	THREAD TENSION POST BASE		*		1.00
4	40115580	THREAD TENSION POST		*		1.00
5	13341102	KNOB BLUE		*		1.00
6	22921407	ROTATION STOPPER		*		1.00
7	22921803	DISK STOPPER		*		1.00
8	22928907	THREAD TENSION DISK		*		2.00
9	B3121804000	TENSION SPRING		*		1.00
10	PH0300062C0	PIN				1.00
11	PA0600504A0	AIR CYLINDER				1.00
12	PJ032052503	HOSE NIPPLE				1.00
13	40115588	THREAD GUIDE PIPE B				1.00
14	40115581	THREAD GUIDE				1.00
15	SM4040655SP	SCREW M4 L=6				1.00
16	40115585	LOWER THREAD PIPE B ASM				1.00
17	SM4040655SP	SCREW M4 L=6				2.00
18	SM4061255SP	SCREW M6 L=12				2.00
19	WP0641601SD	WASHER M6				2.00
20	40115589	TUBE STAY				1.00
21	SM4040655SP	SCREW M4 L=6				2.00
22	BT0400251EB	URETHANE HOSE BLACK				3.00
23	SM8050612TP	SCREW M5X6				1.00
24	BT0800601B0	FEP TUBE CLEAR 8X6				0.27
25	B1128850000	LOOPER THREAD GUIDE				2.00
26	SL4041091SC	SCREW M4 L=10				1.00

# UPPER THREAD HAUL COMPONENTS



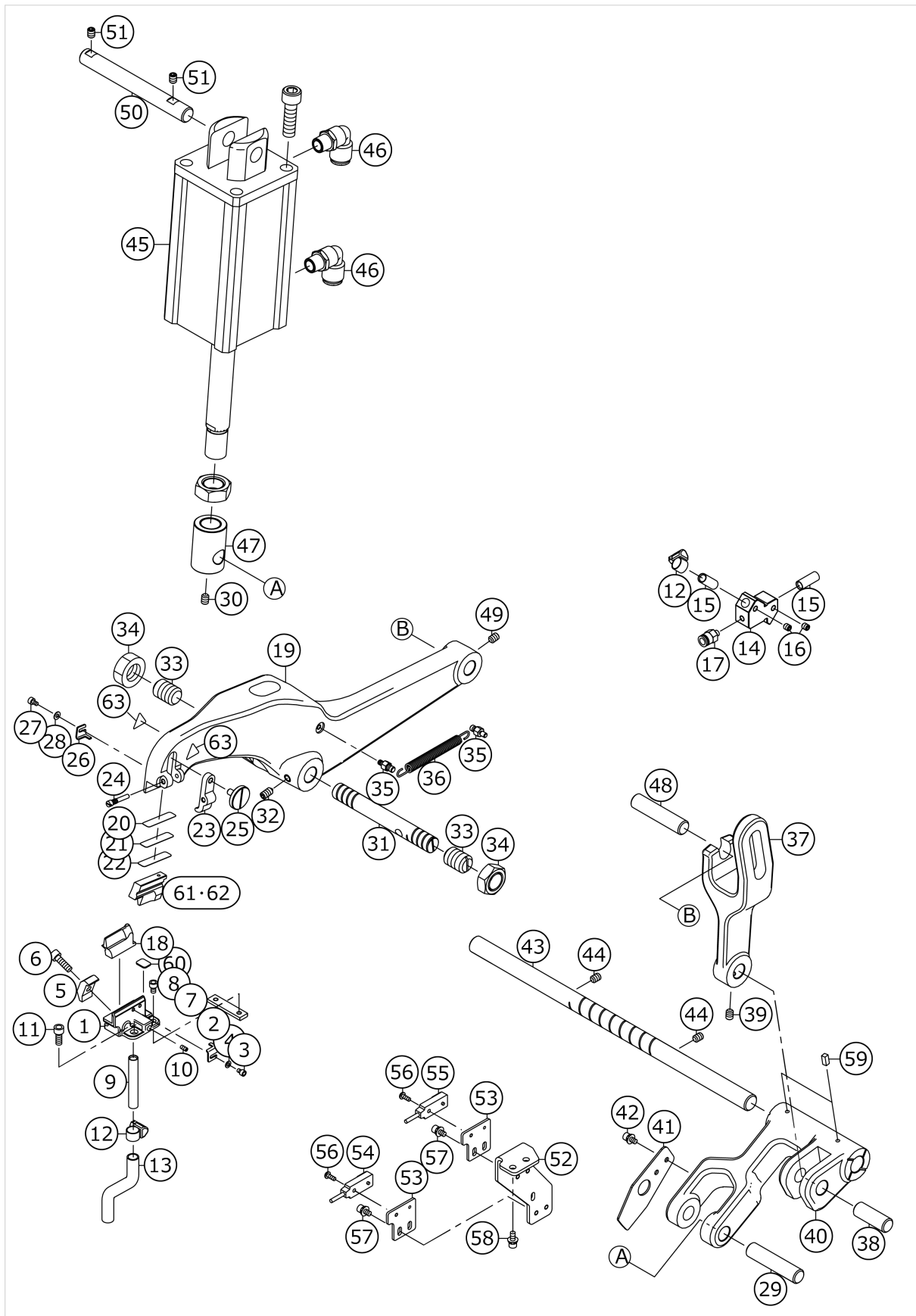
No.	品番	品名	備考	子部品	消耗品	個数
1	40115597	THREAD HAUL ASM				1.00
2	13409800	DIFF LINK PIN				1.00
3	SM8040502TP	SCREW M4X0.7 L=5				1.00
4	40115599	THRUST COLLER				1.00
5	40115600	THREAD HAUL PLATE				1.00
6	40115601	THREAD HAUL NUT				1.00
7	SM0040801SC	SCREW				1.00
8	14030100	WASHER				1.00
9	PA1001029A0	AIR CYLINDER				1.00
10	40115602	AIR CYRINDER PIN				1.00
11	RC0470611KP	RETAINING RING 4.7				1.00
12	PJ21030401C	UNION PIPE JOINT				2.00
13	22502504	THREAD GUIDE BAR				1.00
14	32054900	AT (UPPER)				1.00
15	26217604	WASHER				1.00
16	32055501	AT (UPPER) SPRING				1.00
17	WP0430801SC	WASHER M4				1.00
18	NM6040003SC	NUT M4				1.00
19	40008423	WASHER				2.00
20	32053506	THREAD TENSIONS RUBBER SEAT				1.00
21	40020389	THREAD TENSION DISK				2.00
22	40115603	DISK STOPPER				1.00
23	40115604	THREAD TENTION SHAFT COLLER				1.00
24	40198240	AT_DISK_COVER_N				1.00
25	WP0250501SC	WASHER 2.5X6.5				1.00
26	WS0310002KR	SPRING WASHER 3.1X5.9X0.7				1.00
27	NM6850001SC	NUT M2.5X0.45 TYPE1				2.00
28	40115606	THREAD TENSION SHAFT				1.00
29	40115607	RUBBER CUSHION				8.00
30	40115608	AT SHOULDER SCREW				4.00
31	40010477	AT SOL COLLAR				1.00
32	SM8030412TP	SCREW				2.00
33	40020390	AT THREAD GUIDE				1.00
34	PS0200162KH	SPRING PIN				1.00
35	SL6051092TN	BOLT				2.00
36	40115609	THREAD GUIDE ASM A				1.00
37	40115611	THREAD GUIDE ASM B				1.00
38	SM4041055SP	SCREW				4.00
39	40115612	THREAD TAKE UP STAND				1.00
40	40115613	MOVABLE THREAD GUIDE				1.00
41	SL6030692TN	SCREW M3 L=6				1.00
42	SM4041055SP	SCREW				2.00

# GIMP HAUL COMPONENTS



No.	品番	品名	備考	子部品	消耗品	個数
1	40115622	THREAD TENSION BRACKET				1.00
2	40115578	LOWER_THREAD_TENSION_ASM				1.00
3	40115579	THREAD TENSION POST BASE		*		1.00
4	40115580	THREAD TENSION POST		*		1.00
5	13341102	KNOB BLUE		*		1.00
6	22921407	ROTATION STOPPER		*		1.00
7	22921803	DISK STOPPER		*		1.00
8	22928907	THREAD TENSION DISK		*		2.00
9	B3121804000	TENSION SPRING		*		1.00
10	PH0300062C0	PIN				1.00
11	PA0600504A0	AIR CYLINDER				1.00
12	PJ046052503	HOSE ELBOW				1.00
13	BT0400251EB	URETHANE HOSE BLACK				3.00
14	SM4040855SP	SCREW				2.00
15	40010414	THREAD GUIDE NO.1				1.00
16	SM6061002TP	SCREW M6 L=10				1.00
17	NM6060003SC	NUT M6				1.00
18	13332705	EYELET C				1.00
19	SM4040655SP	SCREW M4 L=6				1.00
20	40115624	GIMP PIPE A ASM				1.00
21	SM6040602TP	SCREW M4 L=6				2.00
22	40115627	GIMP PIPE B ASM				1.00
23	SM4040655SP	SCREW M4 L=6				2.00
24	40115629	THREAD GUIDE C				1.00
25	SM4040655SP	SCREW M4 L=6				1.00
26	WP0450801SP	WASHER				1.00

# CLOTH CUTTING COMPONENTS

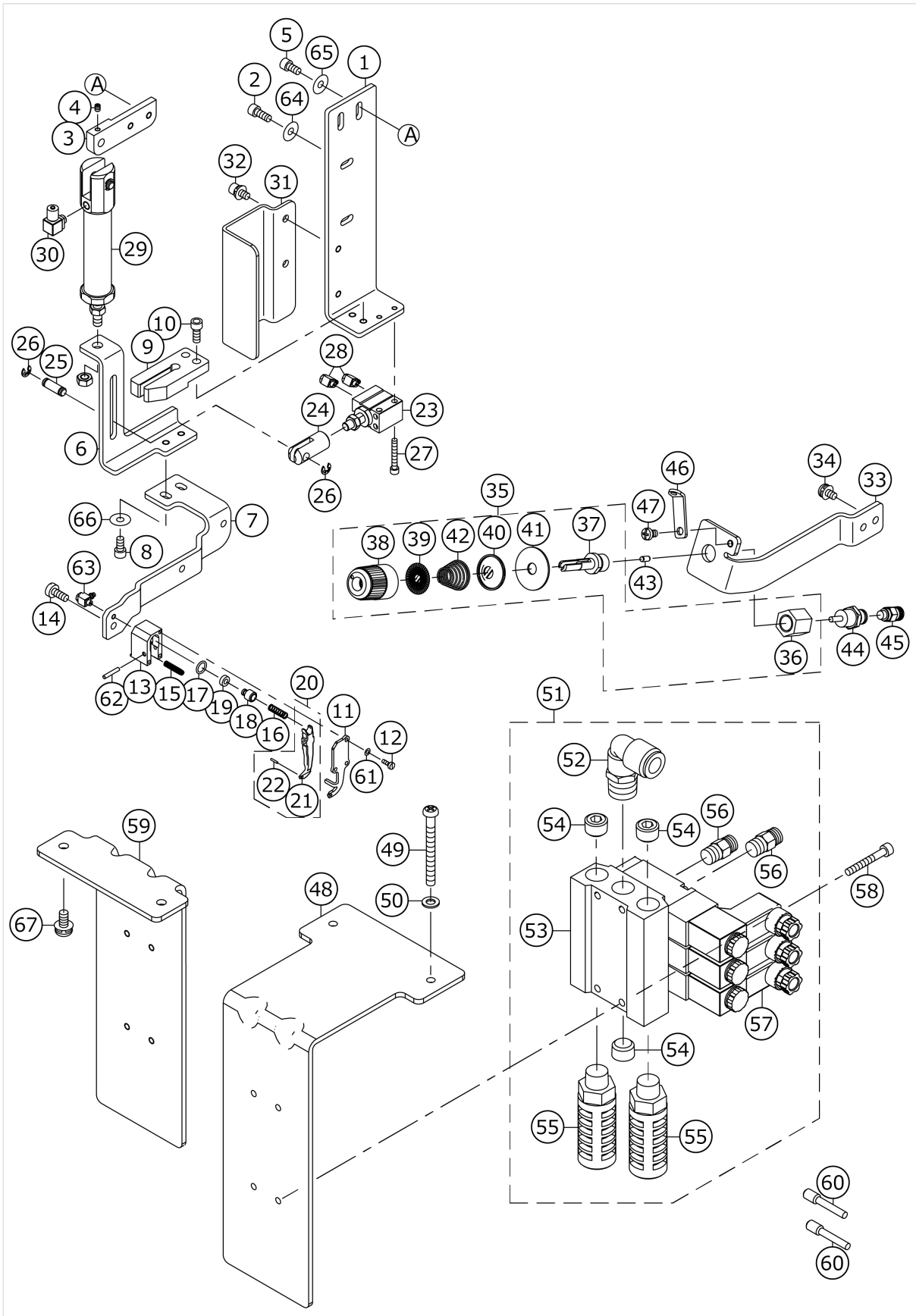


No.	品番	品名	備考	子部品	消耗品	個数
1	40151033	KNIFE BASE				1.00
2	14040802	KNIFE STOPPER(UPPER LOWER)				1.00
3	SM6030402TP	SCREW M3X0.5 L=4				1.00
4	WP0320500SD	M3 WASHER				1.00
5	14040703	KNIFE FIX PLATE LOWER				1.00
6	SM6051602TP	SCREW M5X0.8 L=16				1.00
7	40115658	KNIFE BASE KEY				1.00
8	SM6040602TP	SCREW M4 L=6				2.00
9	40115659	DUST CHUTE				1.00
10	SM8030602TP	SCREW M3X0.5 L=6				1.00
11	SM6051202TP	SCREW M5X0.8 L=12				2.00
12	16121907	HOSE BAND				2.00
13	BT1200801EF	TUBE				1.50
14	40115661	DUST SUCTIONER				1.00
15	40115660	DUST CHUTE B				2.00
16	SM8050602TP	SCREW M5 L=6				2.00
17	PJ3C1060503	HALF UNION				1.00
18	40115664	KNIFE				1.00
19	40115637	KNIFE ARM				1.00
20	40115638	SPACER 01	SELECTIVE PART S(TWO PIECES ARE USED FROM 0 .)			1.00
21	40115639	SPACER 02	SELECTIVE PART S(TWO PIECES ARE USED FROM 0 .)			1.00
22	40115640	SPACER 03	SELECTIVE PART S(TWO PIECES ARE USED FROM 0 .)			1.00
23	40115641	HAMMER HOLDING PLATE				1.00
24	14039507	SCREW				1.00
25	32068900	KNIFE FIXING SCREW				1.00
26	14040802	KNIFE STOPPER(UPPER LOWER)				1.00
27	SM6030502TP	BOLT M3X5				1.00
28	WP0320501SD	WASHER				1.00
29	40115654	KNIFE CYLINDER PIN				1.00
30	SM80608A2TP	SCREW M6 L=8				1.00
31	40115644	KNIFE ARM FULCRUM SHAFT				1.00
32	SM8061242TP	SCREW				1.00
33	40115645	KNIFE ARM SCREW				2.00
34	NM6660043SD	NUT M16X1.5 TYPE3				2.00
35	40115642	SPRING HOOK				2.00
36	40115643	KNIFE ARM SPRING				1.00
37	40115647	KNIFE MIDDLE LINK				1.00
38	40115648	KNIFE DRIVING ARM PIN				1.00
39	SM80608A2TP	SCREW M6 L=8				1.00
40	40115649	KNIFE DRIVING ARM				1.00
41	40115651	KNIFE SENNSOR SLIT				1.00

42	SL6040892TN	BOLT				2.00
43	40115652	KNIFE DRIVING ARM FULCRUM SHAFT				1.00
44	SM80608A2TP	SCREW M6 L=8				2.00
45	40115655	AIR CYLINDER				1.00
46	PJ304105201	ELBOW UNION B				2.00
47	40115653	KNUCKLE JOINT				1.00
48	40115654	KNIFE CYLINDER PIN				1.00
49	SM80608A2TP	SCREW M6 L=8				1.00
50	40115656	KNIFE CYLINDER FULCRUM SHAFT				1.00
51	SM80608A2TP	SCREW M6 L=8				2.00
52	40115662	KNIFE SENSOR STAY				1.00
53	40115663	SENSOR PLATE				2.00
54	40114422	CU SENSOR ASM				1.00
55	40114426	CM POS SENSOR ASM				1.00
56	SM4030801SE	SCREW M3 L=8				2.00
57	SL6040892TN	BOLT				4.00
58	SL6041092TN	SCREW				2.00
59	32075301	CLOTH KNIFE LEVER FELT				2.00
60	40115671	KNIFE BASE PLATE				1.00
61	40115667	HAMMER 20MM EYELET H	TYPE J			1.00
62	40115666	HAMMER 16MM EYELET H	TYPE C			1.00
63	CM300200001	ATTENTION SEAL				2.00



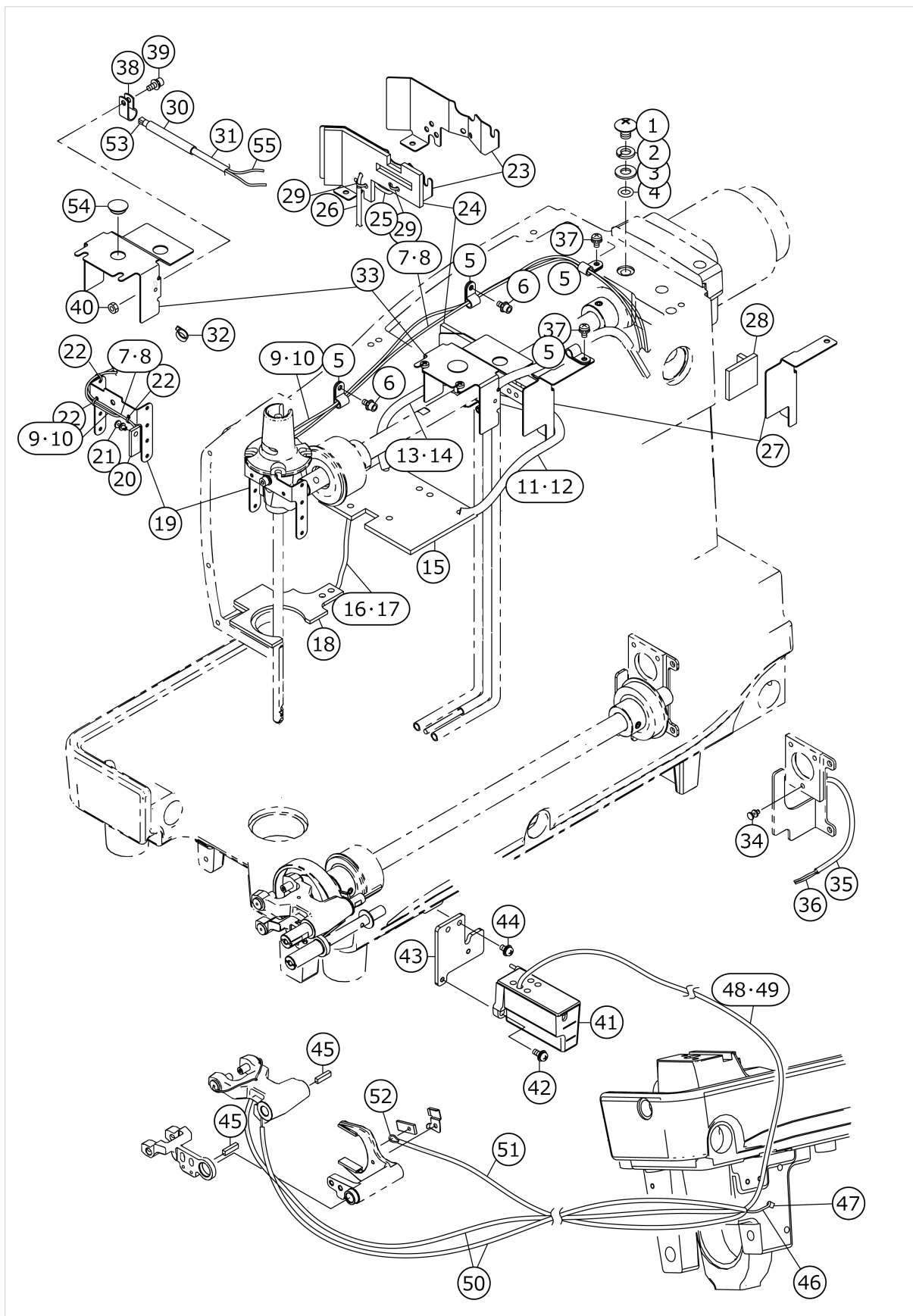
# UPPER THREAD CLAMP UNIT



No.	品番	品名	備考	子部品	消耗品	個数
1	40115909	THREAD CLAMP BRACKET				1.00
2	SM6041002TP	SCREW M4 L=10				2.00
3	40115912	CYLINDER GUIDE				1.00
4	SM8030412TP	SCREW				1.00
5	SM6040802TP	SCREW M4X0.7 L=8				2.00
6	40115911	THREAD CLAMP SLIT				1.00
7	40115910	THREAD CLAMP BASE ARM				1.00
8	SM6040802TP	SCREW M4X0.7 L=8				2.00
9	40115916	SLIT GUIDE				1.00
10	SM6041002TP	SCREW M4 L=10				2.00
11	40115901	THREAD CLAMP A				1.00
12	SM6020600TP	SCREW				3.00
13	40145282	THREAD CLAMP BASE				1.00
14	SM6041050TP	SCREW				1.00
15	40115907	THREAD CLAMP SPRING				1.00
16	40115906	THREAD CLAMP PISTON SPRING				1.00
17	40115914	O RING				1.00
18	40115904	THREAD CLAMP PISTON				1.00
19	40115905	PISTON PACKING				1.00
20	40138570	THREAD_CLAMP_B_ASM				1.00
21	40139096	THERAD_CLAMP_B		*		1.00
22	PS0100052KP	SPRING PIN		*		1.00
23	PA1000601A0	AIR CYLINDER				1.00
24	B1625220000	CYLINDER KNUCKLE				1.00
25	B1626220000	CYLINDER PIN				1.00
26	RE0300000K0	E-RING 3				2.00
27	SM6032002TN	SCREW M3X0.5 L=20				2.00
28	PJ046039001	ELBOW				2.00
29	PA1602009A0	CYLINDER				1.00
30	PJ046052503	HOSE ELBOW				1.00
31	40115917	CLAMP COVER				1.00
32	SL6040892TN	BOLT				2.00
33	40115918	TENSION PLATE				1.00
34	SL4040891SC	SCREW M4 L=8				2.00
35	40115919	LOWER THREAD TENSION ASM.				1.00
36	40115579	THREAD TENSION POST BASE		*		1.00
37	40115580	THREAD TENSION POST		*		1.00
38	13341102	KNOB BLUE		*		1.00
39	22921407	ROTATION STOPPER		*		1.00
40	22921803	DISK STOPPER		*		1.00
41	22928907	THREAD TENSION DISK		*		1.00
42	B3121804000	TENSION SPRING		*		1.00
43	PH0300062C0	PIN				1.00
44	PA0600504A0	AIR CYLINDER				1.00
45	PJ3C1040502	HALF UNION 4XM5				1.00
46	13332705	EYELET C				1.00
47	SM4040655SP	SCREW M4 L=6				1.00
48	40145232	SOLENOID VALBE BASE	FOR DESK TOP			1.00
49	SM4055001SF	SCREW M5 L=50	FOR DESK TOP			2.00
50	WP0531001SC	WASHER M5	FOR DESK TOP			2.00

51	40145219	CLAMP MANIFOLD VALVE ASSY				1.00
52	PJ304105201	ELBOW UNION B		*		1.00
53	PV03520900C	MANIFOLD		*		1.00
54	PJ025200001	RUBBER PLUG		*		3.00
55	PX055202C00	SILENCER		*		2.00
56	PJ301045101	HALF UNION		*		6.00
57	PV1551140A0	5-PORT_SOLENOID_VALVE		*		1.00
58	SM6043002TN	SCREW				4.00
59	40157834	MANIFOLD BRACKET	FOR SEMI-SUNKEN			1.00
60	PX500014000	PLUG				2.00
61	WP0220300SC	WASHER				2.00
62	40055811	TP SHAFT PIN L				1.00
63	PJ046039001	ELBOW				1.00
64	WP0431005SP	PLAIN WASHER 4.3X12X1				2.00
65	WP0431005SP	PLAIN WASHER 4.3X12X1				2.00
66	WP0431005SP	PLAIN WASHER 4.3X12X1				2.00
67	SL4051291SC	SCREW M5X0.8 L=12	FOR SEMI-SUNKEN			2.00

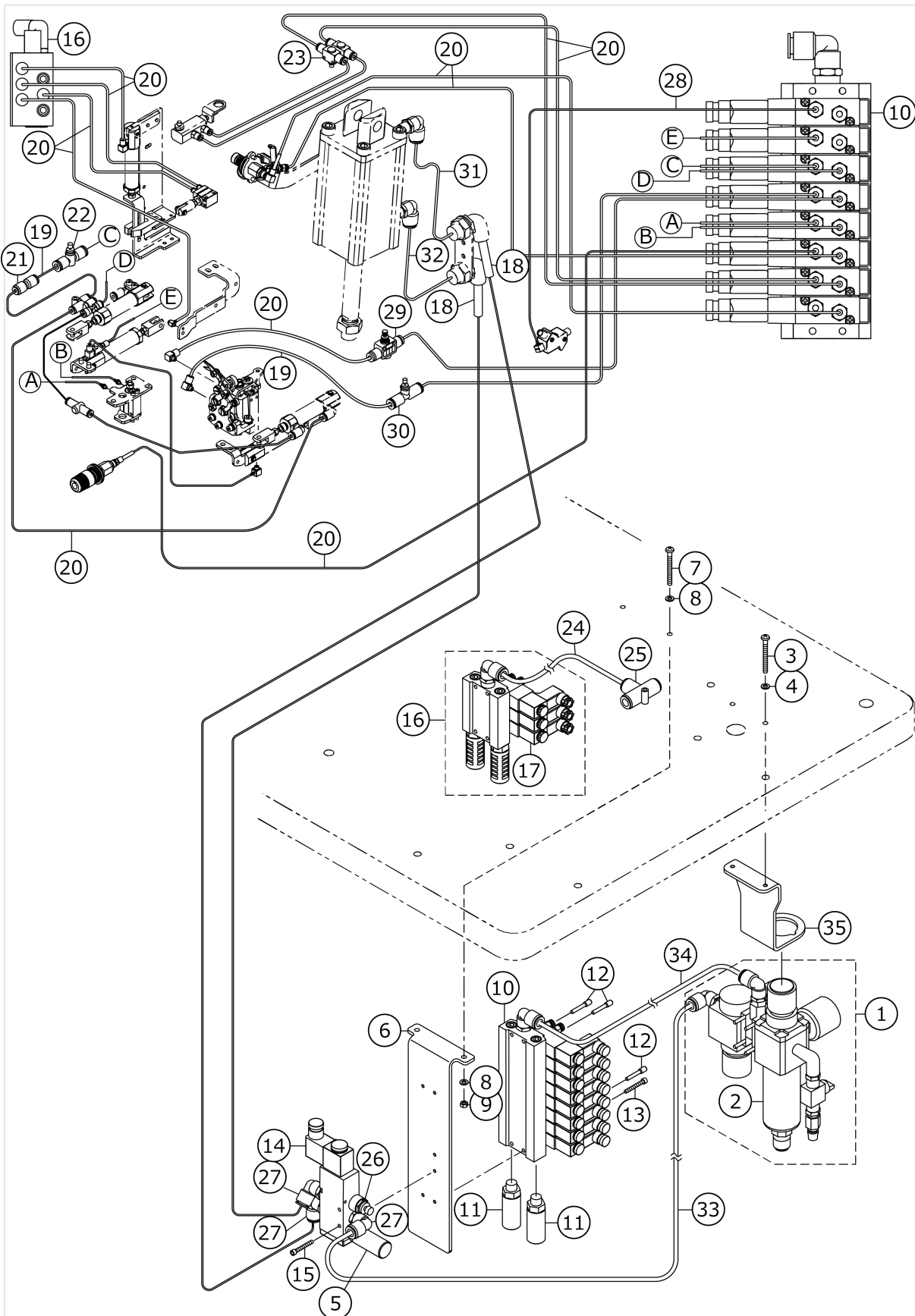
# LUBRICATION MECHANISM COMPONENTS



No.	品番	品名	備考	子部品	消耗品	個数
1	SM0081001SD	SCREW				1.00
2	WS0820002KN	SPRING WASHER M8				1.00
3	WP0841601SC	WASHER 8.4X17.4X1.6				1.00
4	13170105	RUBBER RING				1.00
5	HX00150000D	CABLE CLIP				4.00
6	SL6040892TN	BOLT				2.00
7	23630007	TUBE				0.68
8	CQ200000000	OIL WICK				1.46
9	23630007	TUBE				0.63
10	CQ200000000	OIL WICK				1.36
11	40119990	OIL RETURN FELT 500				1.00
12	BP500000000	VINYL PIPE				0.36
13	40119990	OIL RETURN FELT 500				1.00
14	BP500000000	VINYL PIPE				0.32
15	40115225	ARM FELT U				1.00
16	BP500000000	VINYL PIPE				0.06
17	40119991	OIL RETURN FELT 110				1.00
18	40115699	ARM FELT				1.00
19	40115698	NEEDLE LUBRICATION PLATE				1.00
20	B3518280000	BALANCE LUBRICATING				1.00
21	HX00094000A	NYLON RIVET				1.00
22	EA9500B0100	CABLE BAND				3.00
23	40115222	FELT BASE A				1.00
24	40115224	FELT A				1.00
25	40119990	OIL RETURN FELT 500				1.00
26	BP500000000	VINYL PIPE				0.33
27	40115221	FELT BASE B				1.00
28	40115223	FELT B				1.00
29	EA9500B0100	CABLE BAND				2.00
30	23630007	TUBE				0.18
31	BP500000000	VINYL PIPE				0.05
32	EA9500B0100	CABLE BAND				3.00
33	40119996	GEAR LUBRICATION PLATE				1.00
34	HX00094000C	NYLON RIVET				3.00
35	23630007	TUBE				0.15
36	CQ200000000	OIL WICK				0.42
37	SL4040891SC	SCREW M4 L=8				2.00
38	HX00150000C	CABLE CLIP				1.00
39	SL6041092TN	SCREW				1.00
40	NM6040001SC	NUT M4X0.7 TYPE1				1.00
41	40146259	BED IOL TANK				1.00
42	SL4041091SC	SCREW M4 L=10				2.00
43	40145264	OIL TANK BASE 3810				1.00
44	SL4041091SC	SCREW M4 L=10				2.00
45	40020191	BRACKET LUBRICATION FELT A				2.00
46	CQ252200000	OIL WICK				0.09
47	40020191	BRACKET LUBRICATION FELT A				1.00
48	23630007	TUBE				1.00
49	CQ200000000	OIL WICK				1.00
50	23630007	TUBE				0.20

51	23630007	TUBE				0.10
52	CQ200000000	OIL WICK				0.30
53	22604805	FELT				1.00
54	TA1250406R0	RUBBER PLUG D=12.5 L=4				1.00
55	CQ200000000	OIL WICK				0.50

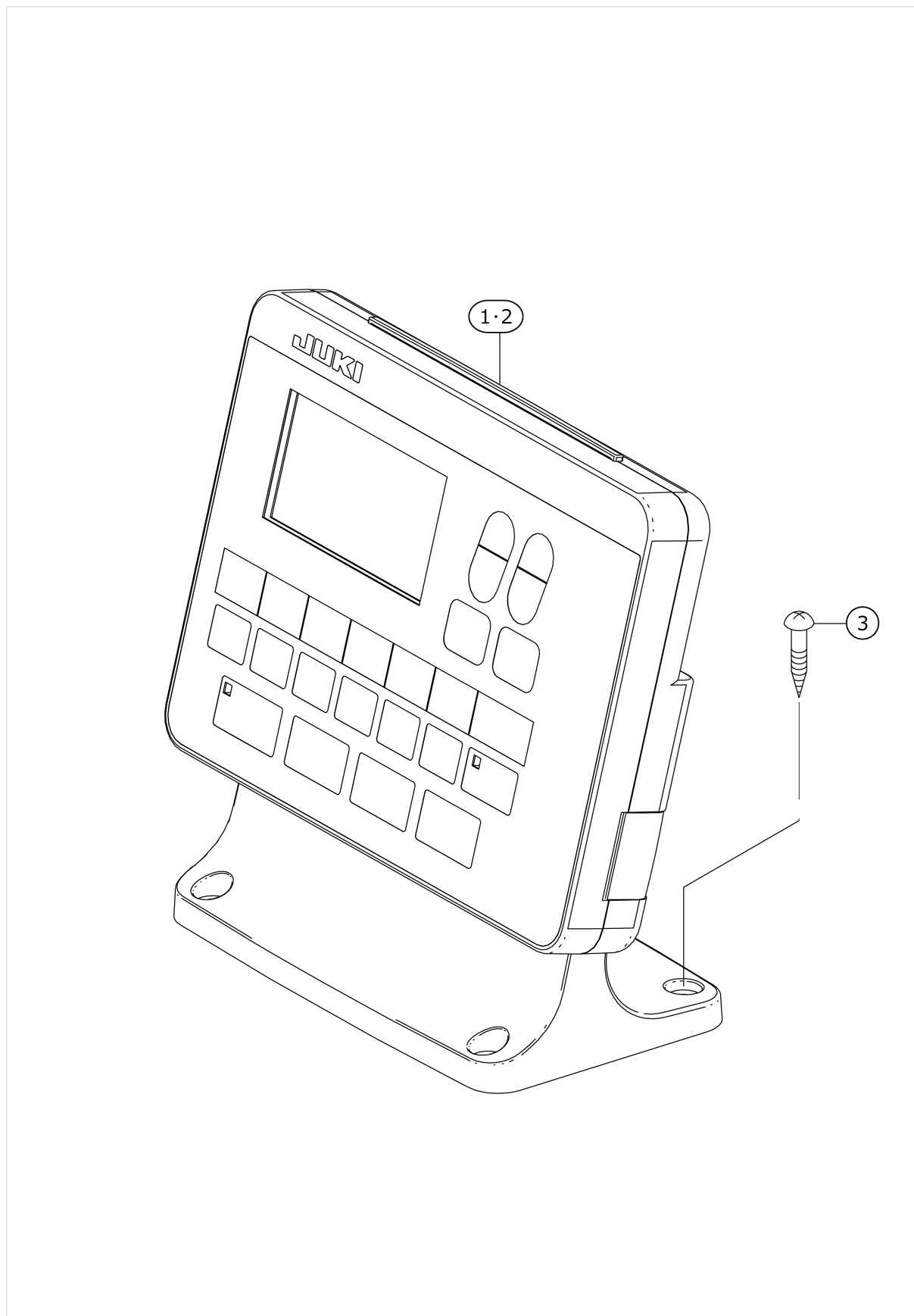
# AIR COMPONENTS



No.	品番	品名	備考	子部品	消耗品	個数
1	40115683	AIR COMBINATION				1.00
2	40115690	FLOAT_TYPE_AUTO_DRAIN		*		1.00
3	SM4055001SF	SCREW M5 L=50				2.00
4	WP0531001SC	WASHER M5				2.00
5	PX055202000	SILENCER				1.00
6	40115684	MANIFOLD VALVE ASM BKT				1.00
7	SM4055001SF	SCREW M5 L=50				2.00
8	WP0531001SC	WASHER M5				4.00
9	NM6050001SC	NUT M5X0.8 TYPE1				2.00
10	40115685	MANIFOLD VALVE ASSY				1.00
11	PX055202000	SILENCER				2.00
12	PX500014000	PLUG				3.00
13	SM6043002TN	SCREW				4.00
14	PV155303000	5-PORT SOLENOID VALVE				1.00
15	SM6043002TN	SCREW				2.00
16	40145219	CLAMP MANIFOLD VALVE ASSY				1.00
17	PV1551140A0	5-PORT_SOLENOID_VALVE		*		3.00
18	BT1000651EB	POLYURETHANE TUBE				1.00
19	BT0600401EB	TUBE				1.00
20	BT0400251EB	URETHANE HOSE BLACK				1.00
21	PJ3C3060003	DIFFERENT DIAMETER UNION				1.00
22	PC012603C00	SPEED CONTROLLER				1.00
23	PC012401000	SPEED CONTROLLER				2.00
24	BT0600401EB	TUBE				0.40
25	PJ305100002	T-JOINT				1.00
26	PF025215000	SILENCER				1.00
27	PJ304105301	ELBOW UNION				3.00
28	BT0600401EB	TUBE				1.00
29	PC012401000	SPEED CONTROLLER				1.00
30	PC012603C00	SPEED CONTROLLER				1.00
31	BT1000651EB	POLYURETHANE TUBE				0.50
32	BT1000651EB	POLYURETHANE TUBE				0.40
33	BT1000651EB	POLYURETHANE TUBE				0.30
34	BT1000651EB	POLYURETHANE TUBE				0.30
35	40115682	REGULATOR BKT				1.00

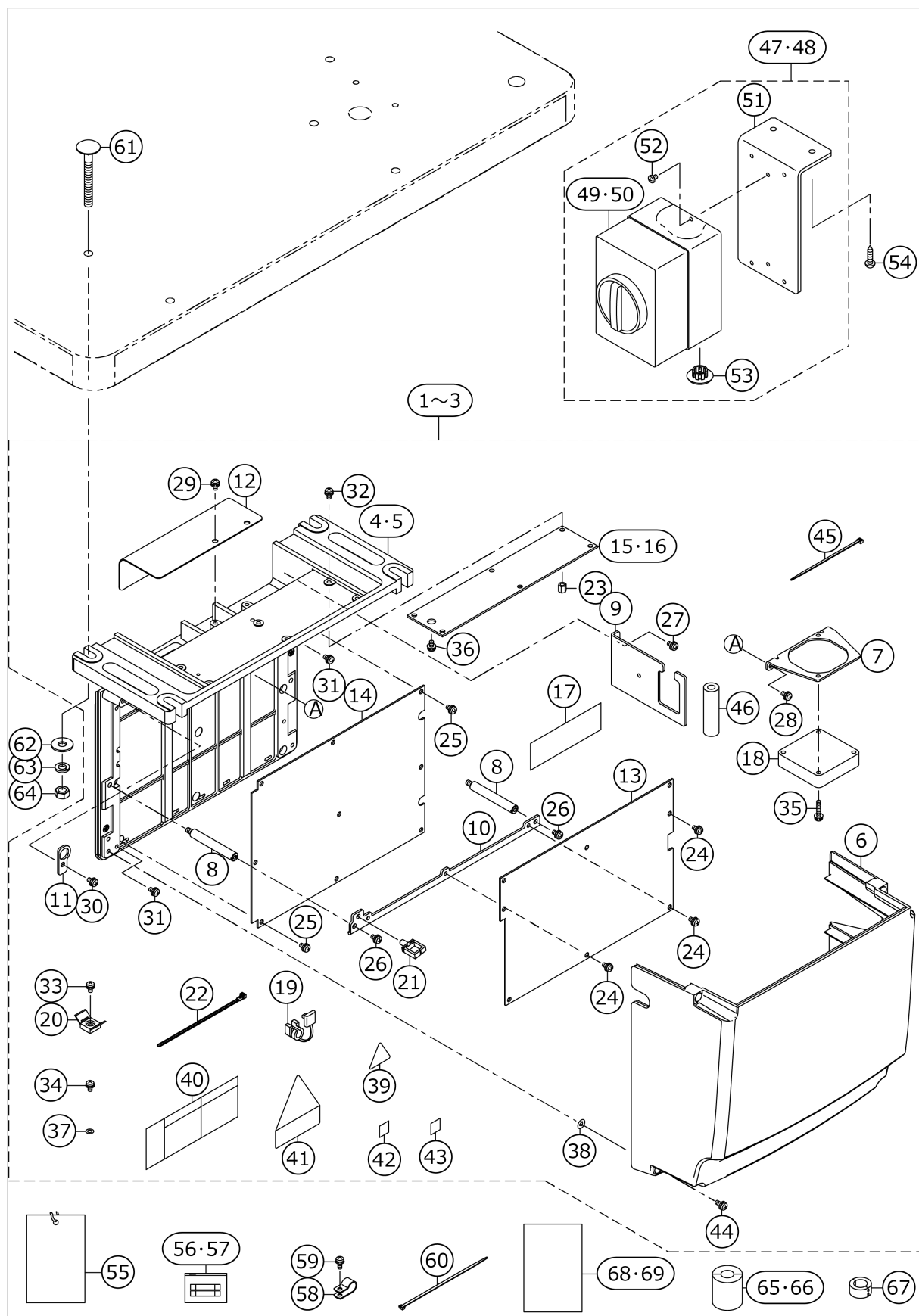


# OPERATION BOX COMPONENTS



No.	品番	品名	備考	子部品	消耗品	個数
1	40189863	MEB_OPERATION_BOX_ASSY	EXCEPT CE			1.00
2	40195979	MEB_OPERATION_BOX_ASSY(CE)	FOR CE			1.00
3	SK3382001SE	SCREW D=3.8 L=20				4.00

# TRANSMISSION COMPONENTS

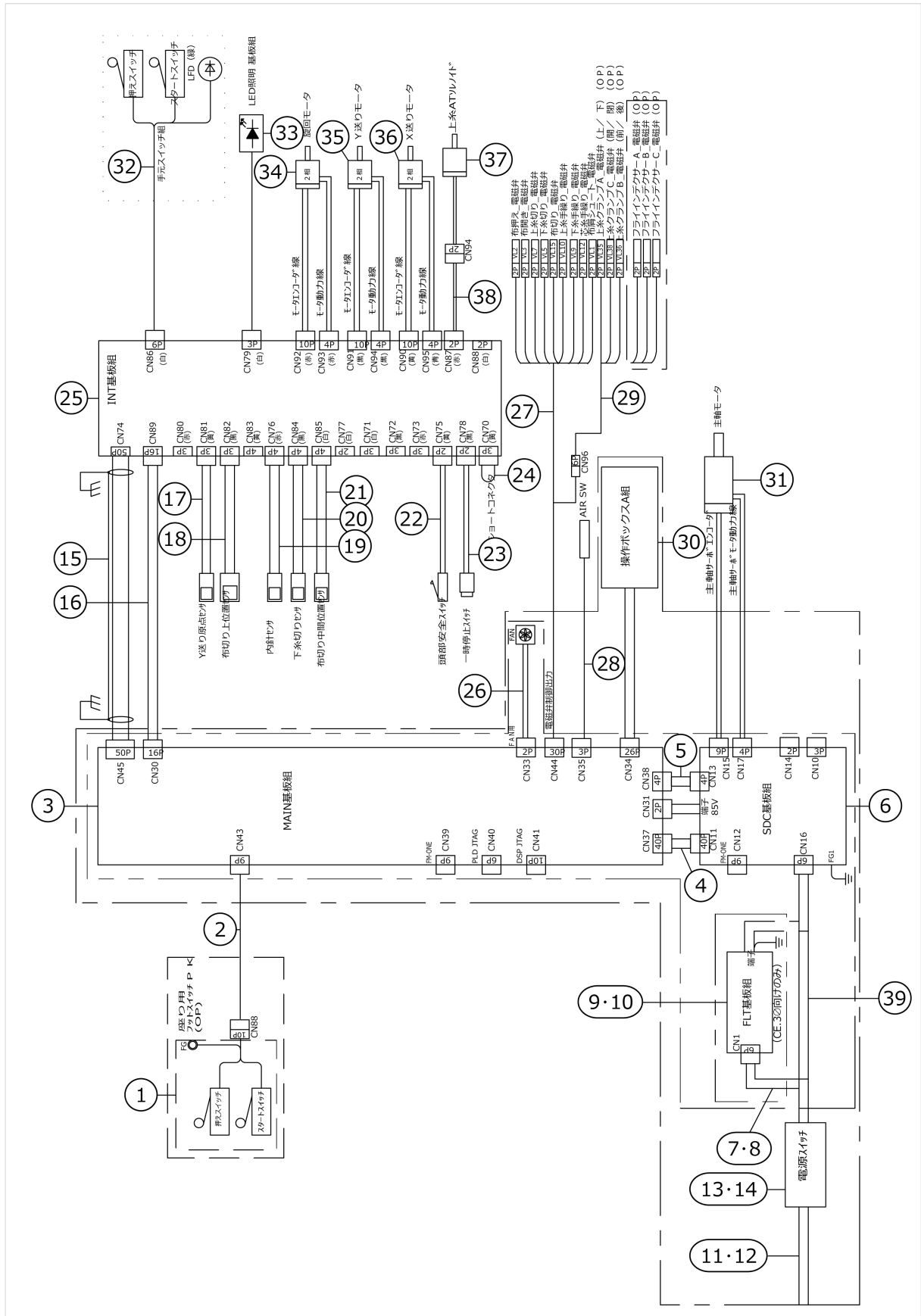


No.	品番	品名	備考	子部品	消耗品	個数
1	40189860	MC-622N CTL BOX A ASM	FOR 1-PHASE 220 ~ 240V			1.00
2	40189861	MC-622N CTL BOX B ASM	FOR 3-PHASE 200 ~ 240V			1.00
3	40189862	MC-622N CTL BOX C ASM	FOR 1-PHASE CE 220 ~ 240V			1.00
4	40143988	FRAME_A	FOR 1-PHASE 220 ~ 240V	*		1.00
5	40143989	FRAME_B	FOR 3-PHASE 200 ~ 240V,1-PHASE CE 220 ~ 24	*		1.00
6	40189853	COVER		*		1.00
7	40115874	FAN_PLATE		*		1.00
8	40143990	STUD		*		2.00
9	40115876	PLATE_B		*		1.00
10	40115877	MAIN_PLATE		*		1.00
11	40115878	PLATE_C		*		1.00
12	40115879	FAN_COVER		*		1.00
13	40195972	MAIN PCB ASSY		*		1.00
14	40145088	SDC PCB ASSY		*		1.00
15	40105465	FLT-T PCB ASSY	FOR 3-PHASE 200 ~ 240V	*		1.00
16	40105475	FLT-CE PCB ASSY	FOR 1-PHASE CE 220 ~ 240V	*		1.00
17	40114398	MAIN COOL SHEET		*		2.00
18	40111214	FAN MOTOR ASSY		*		1.00
19	KX000000320	BUSH		*		1.00
20	KX000000260	SADDLE TYPE TIE MOUNT		*		1.00
21	HX00222000D	WIRE SADDLE		*		1.00
22	HX00292000A	CABLE BAND		*		1.00
23	HX00339000M	SPACER	FOR 3-PHASE 200 ~ 240V,1-PHASE CE 220 ~ 24	*		6.00
24	SL4040881SC	SCREW M4 L=8		*		8.00
25	SL4040881SC	SCREW M4 L=8		*		4.00
26	SL4040881SC	SCREW M4 L=8		*		2.00
27	SL4040881SC	SCREW M4 L=8		*		2.00
28	SL4040881SC	SCREW M4 L=8		*		2.00
29	SL4040881SC	SCREW M4 L=8		*		2.00
30	SL4040881SC	SCREW M4 L=8		*		1.00
31	SL4040881SC	SCREW M4 L=8		*		3.00
32	SL4040881SC	SCREW M4 L=8	FOR 3-PHASE 200 ~ 240V,1-PHASE CE 220 ~ 24	*		6.00
33	SL4040881SC	SCREW M4 L=8		*		1.00
34	SL4040881SC	SCREW M4 L=8	FOR 3-PHASE 200 ~ 240V,1-PHASE CE 220 ~ 24	*		1.00
35	SL4042091SC	SCREW M4 L=20		*		2.00
36	SL4030881SC	SCREW M3 L=8	FOR 3-PHASE 200 ~ 240V	*		1.00

37	WP0430800SC	WASHER M4	FOR 3-PHASE 20 0 ~ 240V,1-PHA SE CE 220 ~ 24	*		1.00
38	M8002430000	STOPPER		*		4.00
39	CM300100001	VOLTAGE WARNING LABEL (31.5)	FOR 1-PHASE 22 0 ~ 240V,1-PHA SE CE 220 ~ 24 0V,1-PHASE 220 ~ 240V(FOR CH	*		1.00
40	CM300100402	VOLTAGE DANGER LABEL 3 (SMALL)	FOR 3-PHASE 200 ~ 240V	*		1.00
41	CM300400602	VOLTAGE CAUTION LABEL L=25		*		1.00
42	CM600100101	WEEE MARK LABEL S	FOR 1-PHASE CE 220 ~ 240V	*		1.00
43	40150131	EAC_MARK_LABEL_S	FOR 1-PHASE CE 220 ~ 240V	*		1.00
44	SL4041281SC	SCREW M4 L=12		*		4.00
45	EA9500B0100	CABLE BAND		*		1.00
46	E8760452S00	TUBE	FOR 3-PHASE 20 0 ~ 240V,1-PHA SE CE 220 ~ 24	*		0.06
47	40081602	POWER SWITCH ASM	FOR 1-PHASE 22 0 ~ 240V,3-PHA SE 200 ~ 240V, 1-PHASE CE 220 ~ 240V			1.00
48	40113451	POWER SWITCH C ASM	FOR 1-PHASE 22 0 ~ 240V(FOR C HINA)			1.00
49	HA005820000	SWITCH	FOR 1-PHASE 22 0 ~ 240V,3-PHA SE 200 ~ 240V, 1-PHASE CE 220 ~ 240V	*		1.00
50	HA006420000	SWITCH	FOR 1-PHASE 22 0 ~ 240V(FOR C HINA)	*		1.00
51	40081603	SWITCH INSTALLATION BOARD		*		1.00
52	SL4041091SE	SCREW M4 L=10		*		2.00
53	HX006850000	GROMMET	FOR 1-PHASE 22 0 ~ 240V(FOR C HINA)	*		2.00
54	SK3512001SE	WOOD SCREW D=5.1 L=20				2.00
55	M300451100A	VOLTAGE INDICATION CARD				1.00
56	HF0013050P0	SLO-BLO FUSE				1.00
57	HF003000200	FUSE				1.00
58	HX00150000D	CABLE CLAMP				2.00
59	SL4041091SC	SCREW M4 L=10				2.00
60	EA9500B0200	CABLE BAND				2.00
61	MTSHJ100003	MOTOR FITTING BOLT L=70				4.00
62	WP0852086SC	WASHER M8				4.00

63	WS0820002KR	SPRING WASHER				4.00
64	NM6080002SC	NUT M8X1.25 TYPE2				4.00
65	HN001490000	CORES	FOR 1-PHASE CE 220 ~ 240V			1.00
66	HN002110000	CORSE	FOR 1-PHASE CE 220 ~ 240V			1.00
67	HN002460000	CORES	FOR 1-PHASE CE 220 ~ 240V			3.00
68	40151687	DECLARATION OF INCORPORATION (MC622)	FOR 1-PHASE CE 220 ~ 240V			1.00
69	40126054	CORE SET UP MANUAL	FOR 1-PHASE CE 220 ~ 240V			1.00

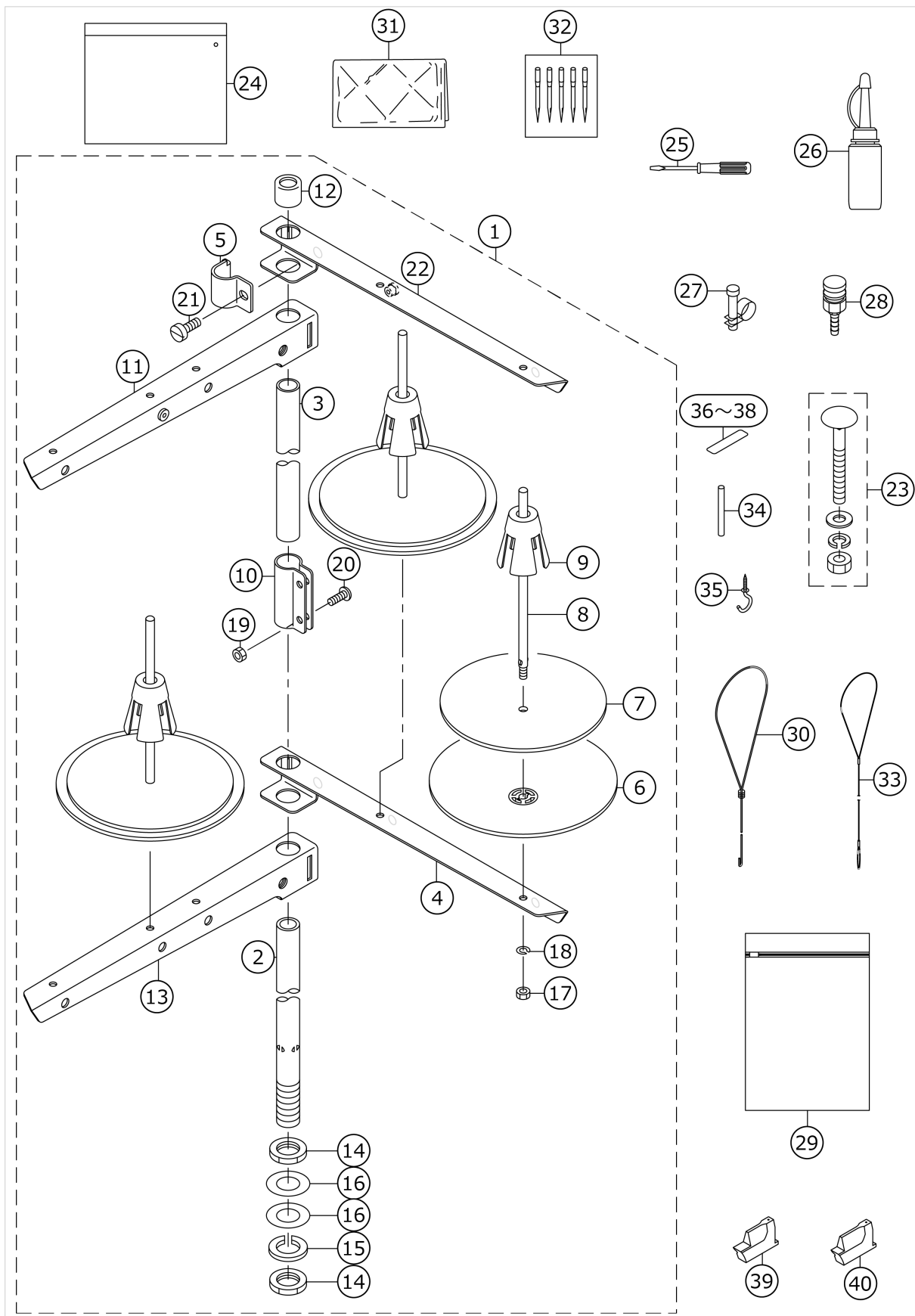
# WIRING DIAGRAM



No.	品番	品名	備考	子部品	消耗品	個数
1	40033831	PK78 PEDAL SWITCH ASM				1.00
2	40114433	FSW RELAY CABLE ASM				1.00
3	40145070	MAIN PCB ASM				1.00
4	40114375	SDC-MAIN S CORD ASM				1.00
5	40114373	SDC-MAIN P1 CORD ASM				1.00
6	40145088	SDC PCB ASM				1.00
7	40114371	AC POWER CORD B ASM	FOR 3-PHASE 200 ~ 240V			1.00
8	40043974	AC POWER CORD B ASM	FOR 1-PHASE CE 200 ~ 240V			1.00
9	40105465	FLT-T PCB ASSY	FOR 3-PHASE 200 ~ 240V			1.00
10	40105475	FLT-CE PCB ASSY	FOR 1-PHASE CE 200 ~ 240V			1.00
11	40086469	POWER CABLE 3P ASSY	FOR 3-PHASE 200 ~ 240V			1.00
12	40086470	POWER CABLE 1P ASSY	FOR 1-PHASE 220 ~ 240V			1.00
13	40081602	POWER SWITCH ASM				1.00
14	40113451	POWER SWITCH C ASM	FOR 1-PHASE 220 ~ 240V(FOR CHINA)			1.00
15	40145057	INT CABLE ASM				1.00
16	40114443	MAIN-INT CORD A ASSY				1.00
17	40114421	Y SENSOR ASM				1.00
18	40114422	CU SENSOR ASM				1.00
19	40114424	IN SENSOR ASM				1.00
20	40149100	LT SENSOR ASM				1.00
21	40114426	CM POS SENSOR ASM				1.00
22	32002255	SWITCH ASM				1.00
23	40198462	SWITCH ASM				1.00
24	40114389	SHORT CONNECTOR ASM				1.00
25	40145055	INT PCB ASM				1.00
26	40111214	FAN MOTOR ASSY				1.00
27	40149101	AIR SOLENOID VALVE CORD ASM				1.00
28	40115683	AIR_COMBINATION				1.00
29	40149102	OP AIR VALVE CABLE ASM	OPTIONAL PARTS			1.00
30	40108520	OPERATION BOX A ASSY				1.00
31	40114444	AC SERVO MOTOR				1.00
32	40115136	START_SWITCH_ASM				1.00
33	40114380	LED PCB ASSY				1.00
34	40149098	REVOLUTION MOTOR				1.00
35	40149097	Y FEED MOTOR				1.00
36	40149096	X FEED MOTOR				1.00
37	32054900	AT (UPPER)				1.00
38	40114442	SOLENOID RELAY CABLE ASM				1.00
39	40114370	AC POWER CORD A ASM	FOR 1-PHASE 220 ~ 240V			1.00

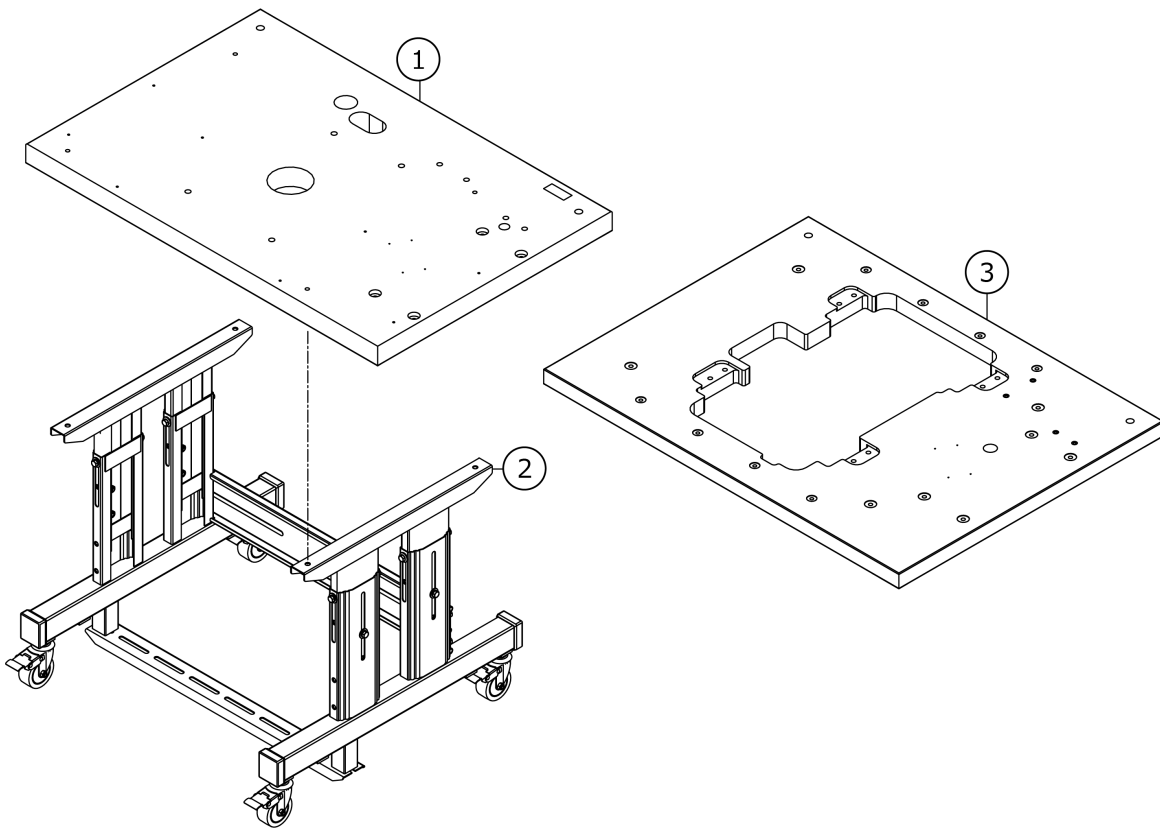


# ACCESSORY PARTS COMPONENTS



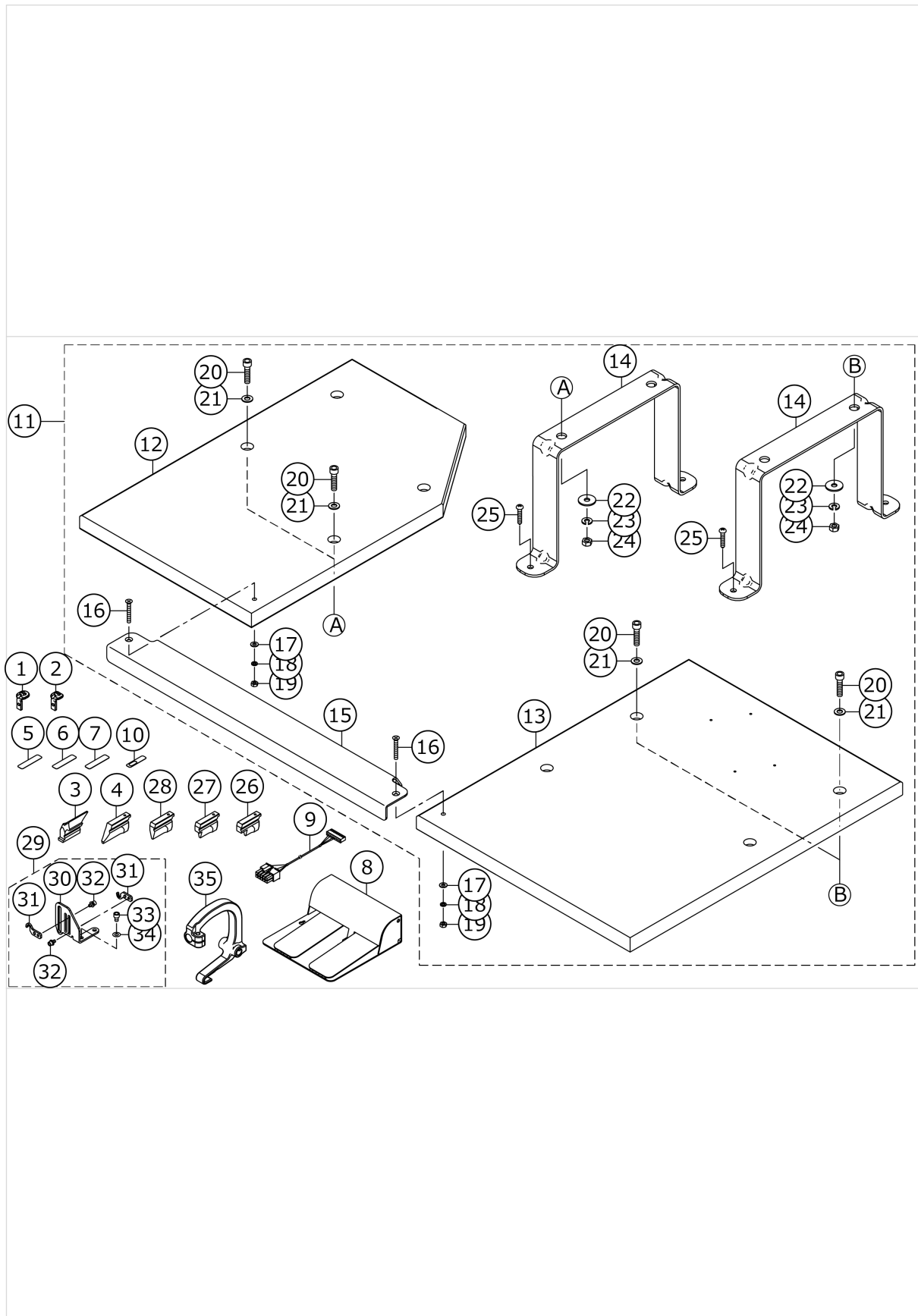
No.	品番	品名	備考	子部品	消耗品	個数
1	13850052	THREAD STANDING DEVICE ASM.				1.00
2	22930309	SPOOL REST ROD LOWER		*		1.00
3	22930408	SPOOL REST ROD UPPER		*		1.00
4	22930507	SPOOL REST ARM		*		1.00
5	22930705	THREAD GUIDE ARM JOINT		*		4.00
6	22930804	SPOOL REST		*		3.00
7	22930903	SPOOL REST CUSHION		*		3.00
8	22931000	SPOOL PIN		*		3.00
9	22931109	SPOOL RETAINER		*		3.00
10	22931307	SPOOL REST ROD JOINT		*		1.00
11	13168950	THREAD STANDING ARM A ASM.		*		1.00
12	22931406	SPOOL REST ROD RUBBER CAP		*		1.00
13	13168901	THREAD STANDING ARM A		*		1.00
14	NM6160511SE	NUT M16X1.5		*		2.00
15	WS1643202KR	SPRING WASHER		*		1.00
16	WP1612616SE	WASHER 16X30X2.6		*		2.00
17	NM6050001SE	NUT M5		*		3.00
18	WS0510002KN	SPRING WASHER M5		*		3.00
19	NM6050001SE	NUT M5		*		2.00
20	SM4051405SE	SCREW M5 L=14		*		2.00
21	SM6061610SC	SCREW M6 L=16		*		4.00
22	22930556	THREAD STANDING ARM ASM.		*		1.00
23	MTJMS00000S	SCREW SET				4.00
24	22932800	ACCESSORIE BAG				1.00
25	22933204	SCREW DRIVER SMALL				1.00
26	B91212200A0	OILER (CONTAINING NO.2 OIL)				1.00
27	PB000010000	HOSE BAND				1.00
28	PJ309520001	SOCKET				1.00
29	40139091	DUST_BAG				1.00
30	14058002	THREADER				1.00
31	26234005	VINYL COVER				1.00
32	MC185801102	NEEDLE SCHMETZ 558 NM110-2				1.00
33	40115727	THREADER				1.00
34	PH0400402C0	PARALLEL PIN				2.00
35	D2113555B00	CORD SET HOOK B				1.00
36	40115638	SPACER 01				1.00
37	40115639	SPACER 02				1.00
38	40115640	SPACER 03				1.00
39	40115668	HAMMER 22MM EYELET H	TYPE C			1.00
40	40115669	HAMMER 26MM EYELET H	TYPE J			1.00

# TABLE COMPONENTS



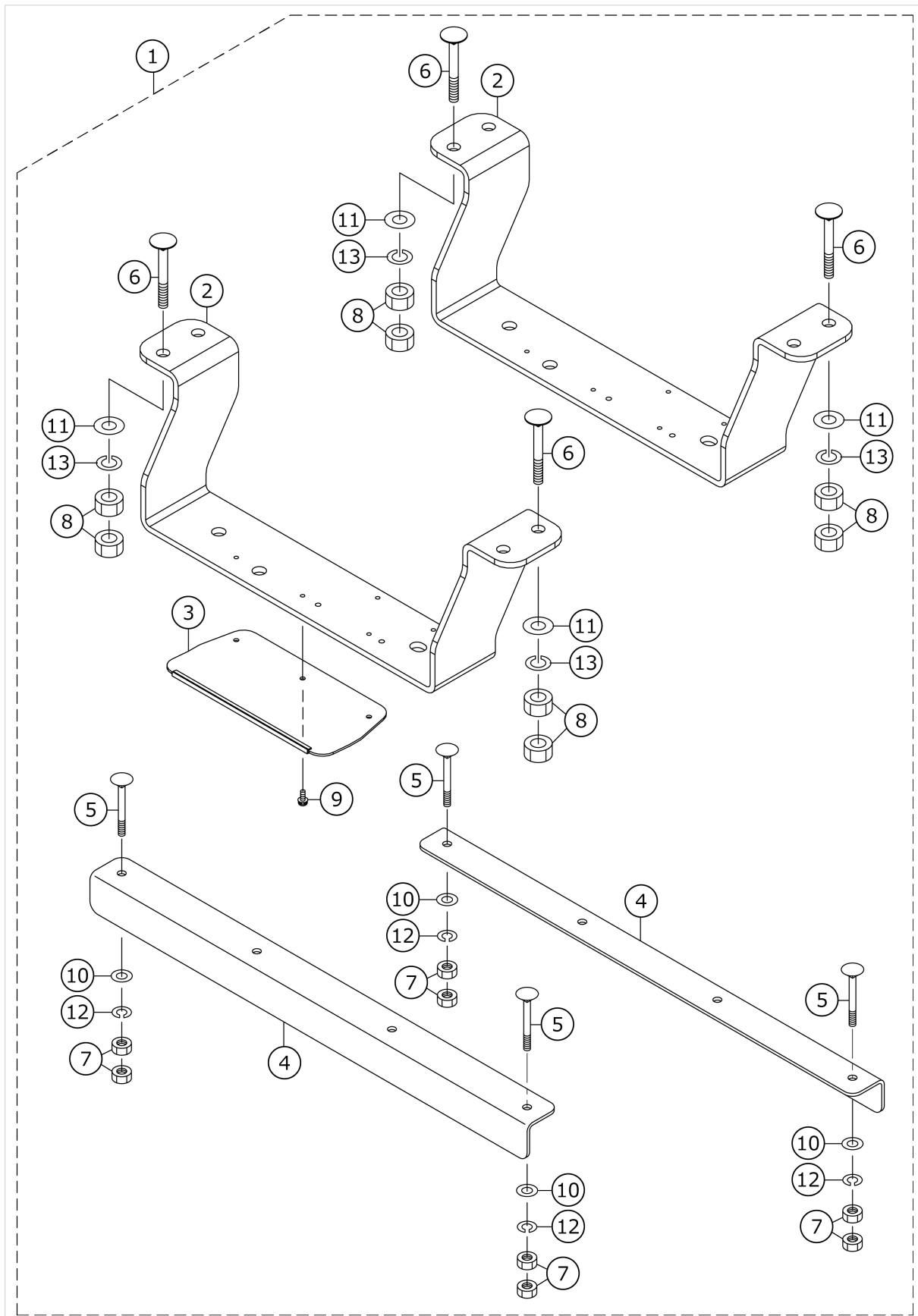
No.	品番	品名	備考	子部品	消耗品	個数
1	40132272	TABLE ASM	FOR DESK TOP			1.00
2	40126322	STAND ASM.				1.00
3	40157825	SEMI-SUNKEN TABLE ASM.	FOR SEMI-SUNKEN			1.00

# OPTION COMPONENTS (1)



No.	品番	品名	備考	子部品	消耗品	個数
1	40115403	NEEDLE PLATE A00				1.00
2	40115404	NEEDLE PLATE A01				1.00
3	40115665	KNIFE 38MM				1.00
4	40115670	HAMMER 38MM EYELET H				1.00
5	40115638	SPACER 01				1.00
6	40115639	SPACER 02				1.00
7	40115640	SPACER 03				1.00
8	40033831	PK78 PEDAL SWITCH ASM				1.00
9	40114433	FSW RELAY CABLE ASM				1.00
10	40115728	SPACER 02 (KNIFE)				1.00
11	40115994	PH=SUB TABLE ASM	FOR DESK TOP			1.00
12	40126870	SUB_TABLE_L	FOR DESK TOP	*		1.00
13	40126871	SUB_TABLE_R	FOR DESK TOP	*		1.00
14	40126872	SUB_TABLE_BRACKET	FOR DESK TOP	*		4.00
15	40126873	SUB_TABLE_BEAM	FOR DESK TOP	*		1.00
16	SM1043001SP	SCREW M4X0.7 L=30	FOR DESK TOP	*		2.00
17	WP0430801SC	WASHER M4	FOR DESK TOP	*		2.00
18	WS0410002KN	SPRING WASHER M4	FOR DESK TOP	*		2.00
19	NM6040001SC	NUT M4X0.7 TYPE1	FOR DESK TOP	*		2.00
20	SM6062502TN	SCREW	FOR DESK TOP	*		8.00
21	WP0651001SC	WASHER	FOR DESK TOP	*		8.00
22	WP0651646SC	WASHER	FOR DESK TOP	*		8.00
23	WS0610002KN	SPRING WASHER M6	FOR DESK TOP	*		8.00
24	NM6060001SC	NUT M6X1 TYPE1	FOR DESK TOP	*		8.00
25	SK3582501SE	WOOD SCREW D=5.8 L=25	FOR DESK TOP	*		8.00
26	40122565	HAMMER_18MM_EYELET_H				1.00
27	40122566	HAMMER_24MM_EYELET_H				1.00
28	40122567	HAMMER_28MM_EYELET_H				1.00
29	40146876	BALANS_THREAD_GUIDE_ASM				1.00
30	40146877	BALANS_THREAD_GUIDE_BASE		*		1.00
31	40146878	BALANS_THREAD_GUIDE		*		2.00
32	SL6030692TN	SCREW M3 L=6		*		2.00
33	SM6040602TN	BOLT		*		2.00
34	WP0430801SC	WASHER M4		*		2.00
35	40132257	PRESSER ARM BASE RH				1.00

# OPTION COMPONENTS (2)(FOR SEMI-SUNKEN)

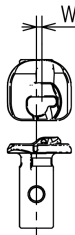



No.	品番	品名	備考	子部品	消耗品	個数
1	40155596	SEMI SUNKEN KIT				1.00
2	40150638	BOTTOM_COVER_STAY		*		2.00
3	40157827	TRAY_ASM		*		1.00
4	32080707	TABLE REINFORCEMENT PLATE		*		2.00
5	MAO11108N00	PEDAL SWITCH FRAME BOLT		*		8.00
6	MTSHJ100003	MOTOR FITTING BOLT L=70		*		8.00
7	NM6060001SC	NUT M6X1 TYPE1		*		16.00
8	NM6080001SC	NUT M8X1.25 TYPE1		*		16.00
9	SL4041291SC	SCREW M4 L=12		*		3.00
10	WP0641601SC	WASHER M6		*		8.00
11	WP0852086SC	WASHER M8		*		8.00
12	WS0610002KN	SPRING WASHER M6		*		8.00
13	WS0820002KN	SPRING WASHER M8		*		8.00







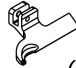
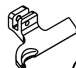
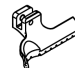

# TABLE OF EXCHANGING GAUGE PARTS (1)



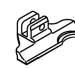



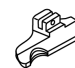

## Throat plate 針板

Name of part 品名	A01 (for narrow needle throwing width) (細振幅用)	B01 (for wide needle throwing width) (広振幅用)	A00 (for narrow needle throwing width) (細振幅用)	B00 (for wide needle throwing width) (広振幅用)
Applicable needle throwing width 適用かがり幅	2.0~3.2mm	2.0~4.0mm	2.0~3.2mm	2.0~4.0mm
Needle size 針番手	#90~#110			
Gimp position W 芯糸位置W	1.8			
Shape 形状				
Ref.No.	①	②	③	④
Part No.	40115404	40115406	40115403	40115405
Type 仕様	For J01 and C01 types Option J01, C01仕様用 オプション	For J01 and C01 types Standard J01, C01仕様用 標準	For J00 and C00 types Option J00, C00仕様用 オプション	For J00 and C00 types Standard J00, C00仕様用 標準

## Presser set 押え足

The mark in ( ) parentheses shows the standard equipment for each type.  
( )内の記号は、各仕様の標準装備品です。

	Name of part 品名	Compensating foot for eyelet buttonhole 34mm はと目穴用段押え 34mm	Compensating foot for eyelet buttonhole 38mm はと目穴用段押え 38mm	Edge presser for eyelet hole 34mm はと目穴用際押え 34mm	Edge presser for eyelet hole 38mm はと目穴用際押え 38mm
Presser set(left) 押え足左	Shape 形状	 (C01)	 (C00)	 (J01)	 (J00)
	Ref.No.	⑤	⑥	⑦	⑧
	Part No.	40115325	40115309	40115241	40115239
Presser set(right) 押え足右	Shape 形状	 (C01)	 (C00)	 (J01)	 (J00)
	Ref.No.	⑨	⑩	⑪	⑫
	Part No.	40115324	40115316	40115240	40115238

	Name of part 品名	Edge presser for eyelet hole 32mm はと目穴用際押え 32mm	Edge presser for eyelet hole 22mm はと目穴用際押え 22mm	For eyelet buttonhole 32mm はと目穴用 32mm	For eyelet buttonhole 22mm はと目穴用 22mm
Presser set(left) 押え足左	Shape 形状				
	Ref.No.	⑬	⑭	⑮	⑯
	Part No.	40035239	40039844	14059604	14059802
Presser set(right) 押え足右	Shape 形状				
	Ref.No.	⑰	⑱	⑲	⑳
	Part No.	40035238	40039843	14059505	14059703

No.	品番	品名	備考	子部品	消耗品	個数
1	40115404	NEEDLE PLATE A01				1.00
2	40115406	NEEDLE PLATE B01				1.00
3	40115403	NEEDLE PLATE A00				1.00
4	40115405	NEEDLE PLATE B00				1.00
5	40115325	PRESSER FOOT L_34				1.00
6	40115309	PRESSER FOOT L				1.00
7	40115241	PRESSER FOOT L_34				1.00
8	40115239	PRESSER FOOT L_38				1.00
9	40115324	PRESSER FOOT R_34				1.00
10	40115316	PRESSER FOOT R				1.00
11	40115240	PRESSER FOOT R_34				1.00
12	40115238	PRESSER FOOT R_38				1.00
13	40035239	PRESSER FOOT LEFT W (M)				1.00
14	40039844	PRESSER FOOT LEFT W (S)				1.00
15	14059604	PRESSER FOOT LEFT 32MM				1.00
16	14059802	PRESSER FOOT LEFT 22MM				1.00
17	40035238	PRESSER FOOT RIGHT W (M)				1.00
18	40039843	PRESSER FOOT RIGHT W (S)				1.00
19	14059505	PRESSER FOOT RIGHT 32MM				1.00
20	14059703	PRESSER FOOT RIGHT 22MM				1.00

## TABLE OF EXCHANGING GAUGE PARTS (2)

### Presser holding plate 押え受け板

Name of part 品名	Eyelet buttonhole presser holding plate, left はと目押え受板左	Eyelet buttonhole presser holding plate, right はと目押え受板右	Eyelet buttonhole presser holding plate, left はと目押え受板左	Eyelet buttonhole presser holding plate, right はと目押え受板右
Shape of hole 穴形状	はと目穴		はと目穴	
Stitch length 縫い長さ	10~34		10~38	
Shape 形状				
Ref.No.	①	②	③	④
Part No.	40115322	40115323	32027104	32027005
Type 仕様	For J01 and C01 types J 01, C 01仕様用		For J00 and C00 types J 00, C 00仕様用	

### Cloth cutting knife 布切りメス

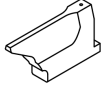
Name of part 品名	For eyelet buttonhole はと目穴用	For decorative buttonhole 眠り穴用					Remarks 備考	
Shape 形状								
			Ref.No.	Part No.	X	Y	L	Remarks 備考
Eyelet buttonhole はと目穴	Provided as standard 標準装備		⑤	40115664	2.8	4.3	26	
	Only for the sewing machine provided with the needle thread trimmer 針糸切り仕様のみ		⑥	40115665	2.9	4.4	38	
			⑦	32063604	2.9	4.4	24	Optional spacer is used オプションスペーサ使用
			⑧	32063703	2.9	4.4	32	
	Only for the sewing machine provided with the needle thread trimmer 針糸切り仕様のみ		⑨	32063802	2.1	3.2	38	
			⑩	32063901	2.1	3.2	24	
			⑪	32064008	2.1	3.2	32	
			⑫	32064107	3.2	5.4	38	
			⑬	32064206	3.2	5.4	24	
			⑭	32064305	3.2	5.4	32	
Only for the sewing machine provided with the needle thread trimmer 針糸切り仕様のみ		⑮	32066904	2.7	5.1	38		
Decorative buttonhole 眠り穴			⑯	14041404	0	0	38	
			⑰	32065302	0	0	24	
			⑱	32065401	0	0	32	

Optional spacer オプションスペーサ	
Ref.No.	Part No.
⑱	40115728

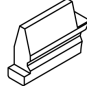
No.	品番	品名	備考	子部品	消耗品	個数
1	40115322	HOLDING PLATE PIGHT				1.00
2	40115323	HOLDING PLATE LEFT				1.00
3	32027104	HOLDING PLATE LEFTT				1.00
4	32027005	HOLDING PLATE RIGHT				1.00
5	40115664	KNIFE				1.00
6	40115665	KNIFE 38MM				1.00
7	32063604	CUTTING KNIFE (EYELET) S				1.00
8	32063703	CUTTING KNIFE (EYELET) M				1.00
9	32063802	CUTTING KNIFE (EYELET) 1				1.00
10	32063901	CUTTING KNIFE (EYELET) 1S				1.00
11	32064008	CUTTING KNIFE (EYELET) 1M				1.00
12	32064107	CUTTING KNIFE (EYELET) 5				1.00
13	32064206	CUTTING KNIFE (EYELET) 5S				1.00
14	32064305	CUTTING KNIFE (EYELET) 5M				1.00
15	32066904	CUTTING KNIFE (EYELET) 6				1.00
16	14041404	CUTTING KNIFE (DECORATIVE)				1.00
17	32065302	CUTTING KNIFE (DECORATIVE) S				1.00
18	32065401	CUTTING KNIFE (DECORATIVE) M				1.00
19	40115728	SPACER 02 (KNIFE)				1.00


# TABLE OF EXCHANGING GAUGE PARTS (3)

## Knife holder 刃受け

Name of part 品名		For eyelet buttonhole はと目穴用	
Shape 形状			
Size(mm)	Ref.No.	Part No.	Remarks 備考
38	(1)	40115670	
28	(37)	40122567	
26	(2)	40115669	(J accessories J付属)
24	(38)	40122566	
22	(3)	40115668	(C accessories C付属)
18	(39)	40122565	
20	(4)	40115667	(J)
16	(5)	40115666	(C)
38	(6)	32067209	Optional spacer is used オプションスペーサ使用
36	(7)	32067308	
34	(8)	32067407	
32	(9)	32067506	
30	(10)	32067605	
28	(11)	32067704	
26	(12)	32067803	
24	(13)	32067902	
22	(14)	32068009	
20	(15)	32068108	
18	(16)	32068207	
16	(17)	32068306	
14	(18)	32068405	
12	(19)	32068504	
10	(20)	32068603	

The mark in ( ) parentheses shows the standard equipment for each type.  
( )内の記号は、各仕様の標準装備品です。

Name of part 品名		For decorative buttonhole 眠り穴用	
Shape 形状			
Size(mm)	Ref.No.	Part No.	Remarks 備考
38	(21)	14042501	Optional spacer is used オプションスペーサ使用
36	(22)	32064404	
34	(23)	32064503	
32	(24)	14042600	
30	(25)	32064602	
28	(26)	32064701	
26	(27)	14042808	
24	(28)	32064800	
22	(29)	14042907	
20	(30)	32064909	
18	(31)	32065005	
16	(32)	14043103	
14	(33)	32065104	
12	(34)	32065203	
10	(35)	14043301	

Optional spacer オプションスペーサ	
	
Ref.No.	Part No.
(36)	40115639

No.	品番	品名	備考	子部品	消耗品	個数
1	40115670	HAMMER 38MM EYELET H				1.00
2	40115669	HAMMER 26MM EYELET H				1.00
3	40115668	HAMMER 22MM EYELET H				1.00
4	40115667	HAMMER 20MM EYELET H				1.00
5	40115666	HAMMER 16MM EYELET H				1.00
6	32067209	KNIFE HOLDER 38MM (EYELET) H				1.00
7	32067308	KNIFE HOLDER 36MM (EYELET) H				1.00
8	32067407	KNIFE HOLDER 34MM (EYELET) H				1.00
9	32067506	KNIFE HOLDER 32MM (EYELET) H				1.00
10	32067605	KNIFE HOLDER 30MM (EYELET) H				1.00
11	32067704	KNIFE HOLDER 28MM (EYELET) H				1.00
12	32067803	KNIFE HOLDER 26MM (EYELET) H				1.00
13	32067902	KNIFE HOLDER 24MM (EYELET) H				1.00
14	32068009	KNIFE HOLDER 22MM (EYELET) H				1.00
15	32068108	KNIFE HOLDER 20MM (EYELET) H				1.00
16	32068207	KNIFE HOLDER 18MM (EYELET) H				1.00
17	32068306	KNIFE HOLDER 16MM (EYELET) H				1.00
18	32068405	KNIFE HOLDER 14MM (EYELET) H				1.00
19	32068504	KNIFE HOLDER 12MM (EYELET) H				1.00
20	32068603	KNIFE HOLDER 10MM (EYELET) H				1.00
21	14042501	KNIFE HOLDER 40MM DECORATIVE				1.00
22	32064404	KNIFE HOLDER 36MM DECORATIVE				1.00
23	32064503	KNIFE HOLDER 34MM DECORATIVE				1.00
24	14042600	KNIFE HOLDER 32MM DECORATIVE				1.00
25	32064602	KNIFE HOLDER 30MM DECORATIVE				1.00
26	32064701	KNIFE HOLDER 28MM DECORATIVE				1.00
27	14042808	KNIFE HOLDER 26MM DECORATIVE				1.00
28	32064800	KNIFE HOLDER 24MM DECORATIVE				1.00
29	14042907	KNIFE HOLDER 22MM DECORATIVE				1.00
30	32064909	KNIFE HOLDER 20MM DECORATIVE				1.00
31	32065005	KNIFE HOLDER 18MM DECORATIVE				1.00
32	14043103	KNIFE HOLDER 16MM DECORATIVE				1.00
33	32065104	KNIFE HOLDER 14MM DECORATIVE				1.00
34	32065203	KNIFE HOLDER 12MM DECORATIVE				1.00
35	14043301	KNIFE HOLDER 10MM DECORATIVE				1.00
36	40115639	SPACER 02				1.00
37	40122567	HAMMER_28MM_EYELET_H				1.00
38	40122566	HAMMER_24MM_EYELET_H				1.00
39	40122565	HAMMER_18MM_EYELET_H				1.00

# HOW TO MAKE USE OF THIS PARTS LIST

- 1.As to "#01" and "#02" refer to the "Note" given at the bottom of the respective pages.
- 2.Codes on the "Qty" column
  - Each numeral indicates the number of parts required.
  - "0.1" and "2.5" indicate the length (in meters) of the respective parts.
- 3.Parentheses mean that the corresponding part is a subpart that constructs an assembly part.
- 4.Dotted lines on the Figures indicate assembly parts.
- 5.As to the parts with marks of "☆"(Consumable parts)and "◎"(optional parts)on the respective parts, it is recommended to prepare spares.

1. リストページの# 0 1、# 0 2の印は、ページ下の"注記"の説明を参照下さい。
2. 数量欄の数字は、個数を表し、0. 1、2. 5等の数値は、長さ（単位メートル）を表します。
3. 数量欄の（ ）は、組部品を構成している子部品であることを意味します。
4. イラストページの-----枠は、組構成であることを意味します。
5. リストページの"☆"（消耗部品）、"◎"（オプション部品）の印が付いた部品は、予備を準備しておくことをお勧めします。