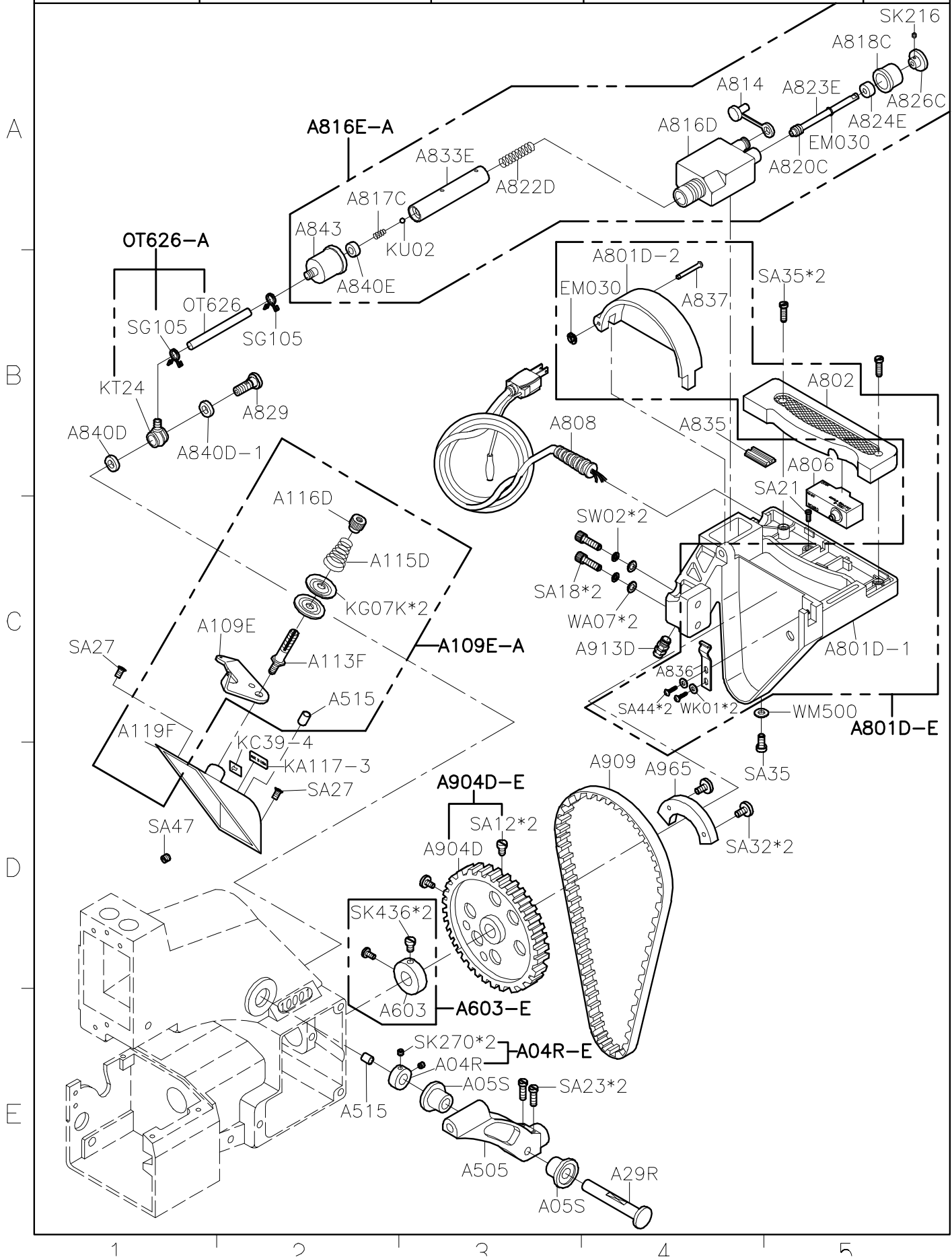
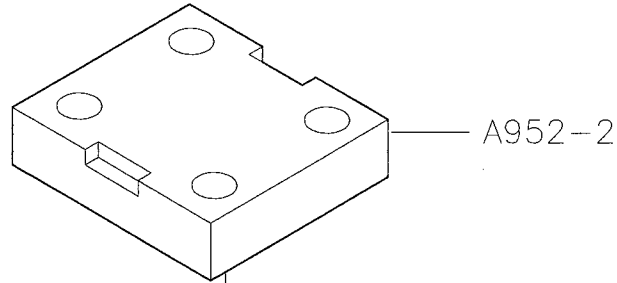


SIRUBA
PARTS LIST

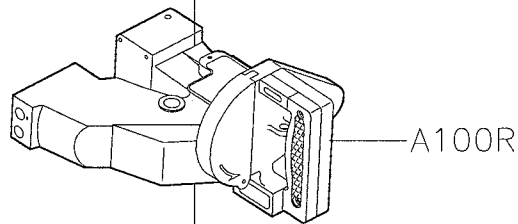
Series	Parts Group	Subclass / Remark	Page
AA	AA		2/4
			Date
			2020/04/08



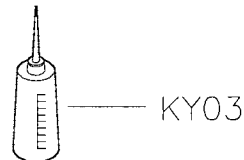
A



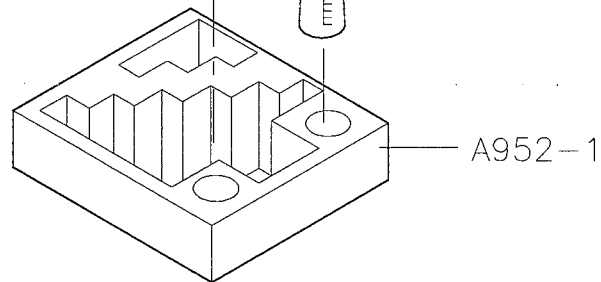
B



C



D



E

