

A large, light gray watermark logo is centered on the page. It consists of a semi-circular arch at the top and bottom, with the letters 'CSMP' in a bold, stylized font across the middle. The 'S' and 'M' are particularly prominent.

**SINGER**  
457U105,U125

ILLUSTRATED

PARTS LIST

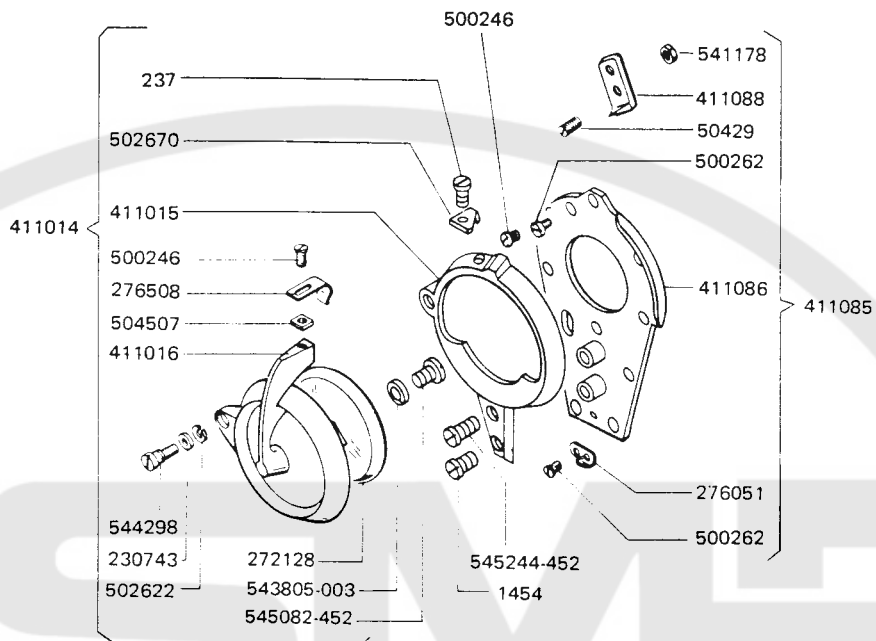
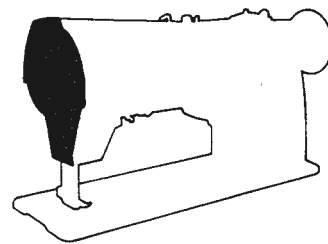
FOR

**SINGER\***

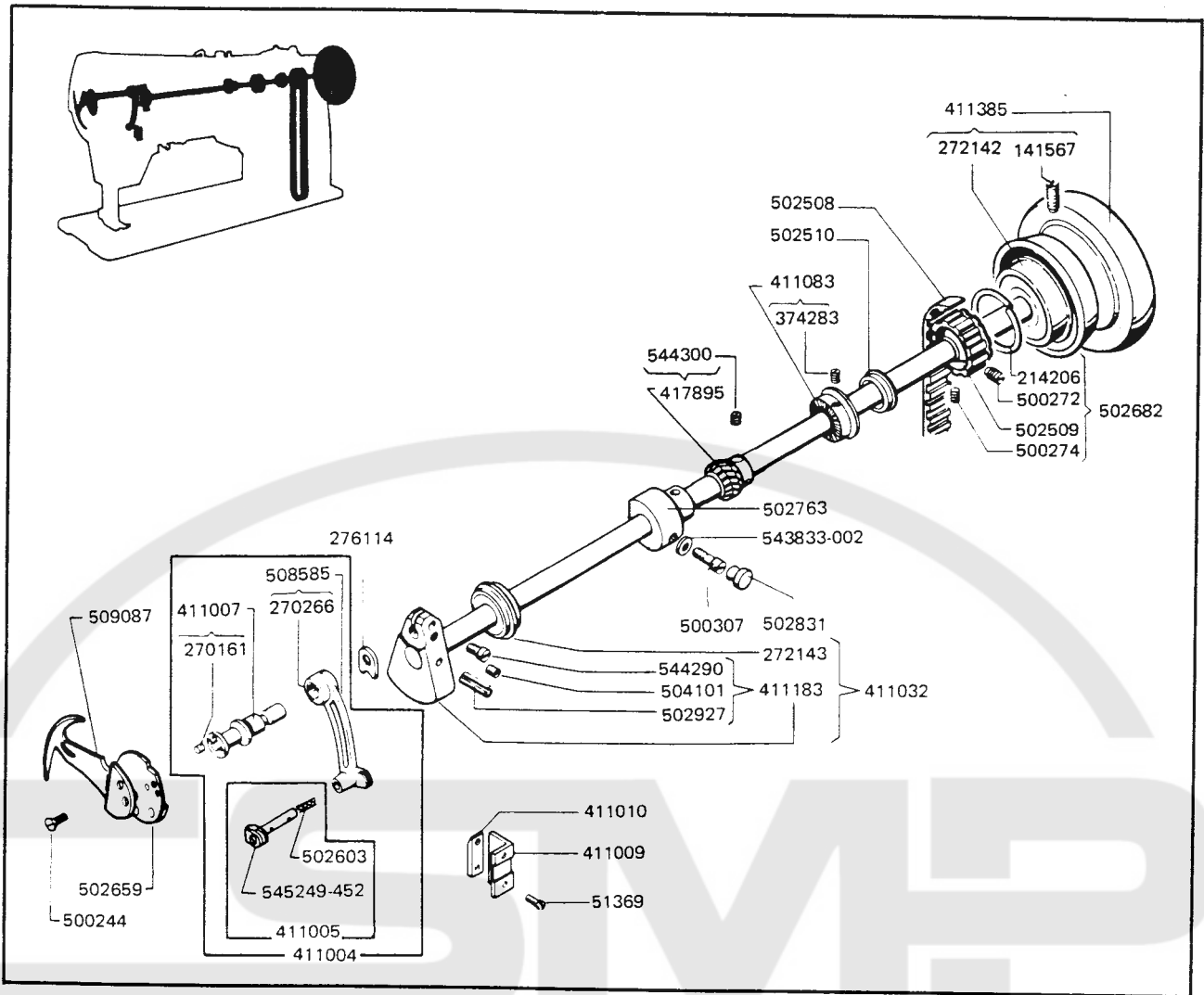
MACHINE

457U105

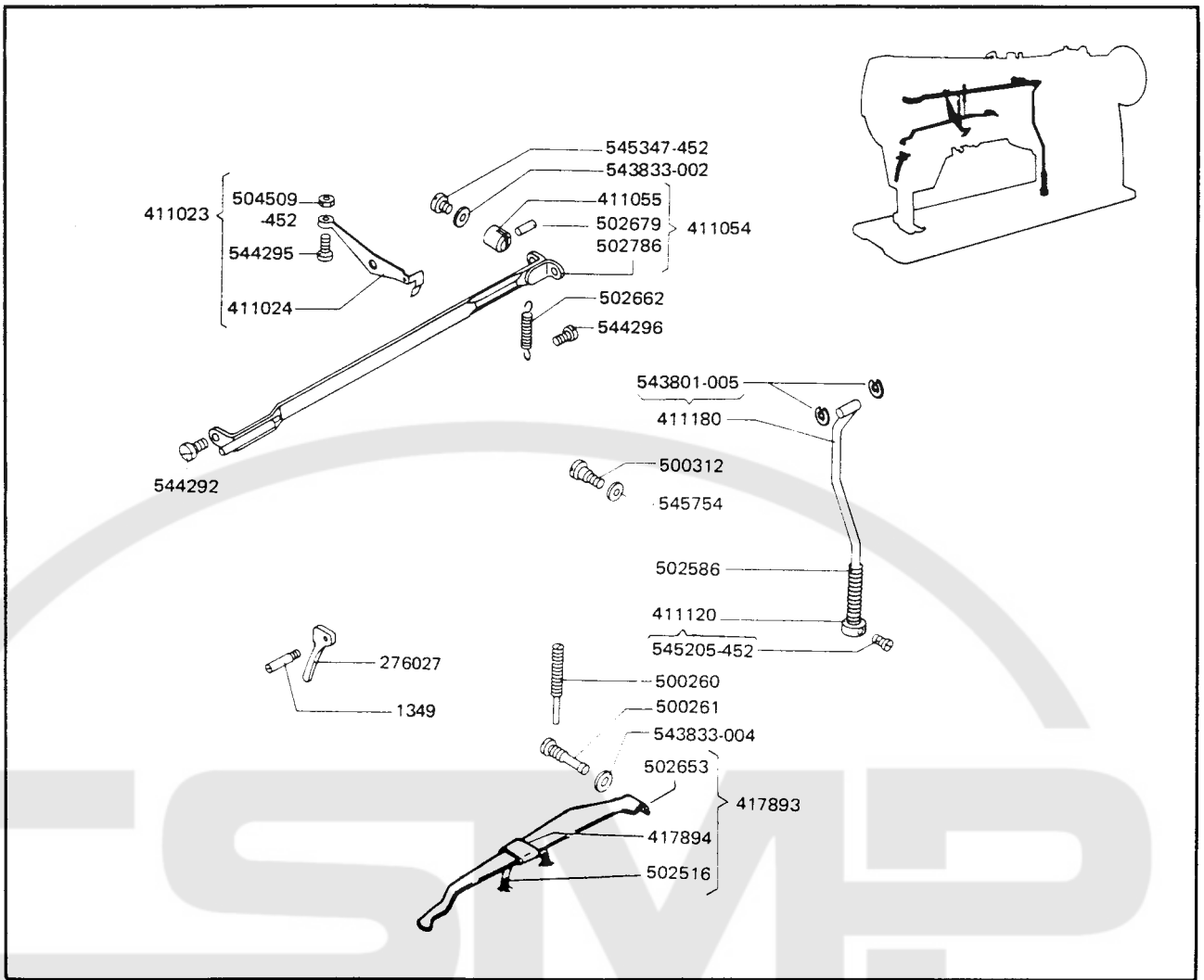
457U125



|           |  |            |   |
|-----------|--|------------|---|
| 237-833   | THREAD CUTTER (ON ROTARY TAKE-UP GUARD) SCREW  | 411088     | THREAD CUTTER (ON FACE PLATE)                     |
| 1454-850  | ROTARY TAKE-UP GUARD SCREW (SHORT)   | 500246-850 | FACE PLATE SCREW (8)                              |
| 50429-833 | THREAD CUTTER (ON FACE PLATE) ADJUSTING SCREW  | 500246-850 | ROTARY TAKE-UP GUARD SPRING CATCH SCREW           |
| 230743    | ROTARY TAKE-UP GUARD HINGE SCREW SPRING WASHER   | 500262-833 | THREAD GUIDE (ON FACE PLATE) SCREW                |
| 272128    | ROTARY TAKE-UP GUARD COVER WINDOW  | 500262-833 | THREAD CUTTER (ON FACE PLATE) SCREW               |
| 276051    | THREAD GUIDE (ON FACE PLATE)   | 502622     | ROTARY TAKE-UP GUARD HINGE SCREW SPRING WASHER    |
| 276508    | ROTARY TAKE-UP GUARD SPRING CATCH  | 502670     | THREAD CUTTER (ON ROTARY TAKE-UP GUARD)           |
| 411014    | ROTARY TAKE-UP GUARD CPL. NOS., 237, 230743, 272128, 276508, 411015, 411016, 500246, 502622, 502670, 504507, 543805-003, 544298 AND 545082-452 | 504507     | SPRING CATCH SCREW NUT                            |
| 411015    | ROTARY TAKE-UP GUARD   | 541178     | THREAD CUTTER (ON FACE PLATE) ADJUSTING SCREW NUT |
| 411016    | ROTARY TAKE-UP GUARD COVER   | 543805-003 | ROTARY TAKE-UP COVER WINDOW WASHER                |
| 411085    | FACE PLATE CPL. NOS., 50429, 276051, 411086, 411088, 541178 AND TWO 500262   | 544298     | ROTARY TAKE-UP GUARD HINGE SCREW                  |
| 411086    | FACE PLATE   | 545082-452 | ROTARY TAKE-UP GUARD COVER WINDOW SCREW           |
|           |  | 545244-452 | ROTARY TAKE-UP GUARD SCREW (LONG)                 |

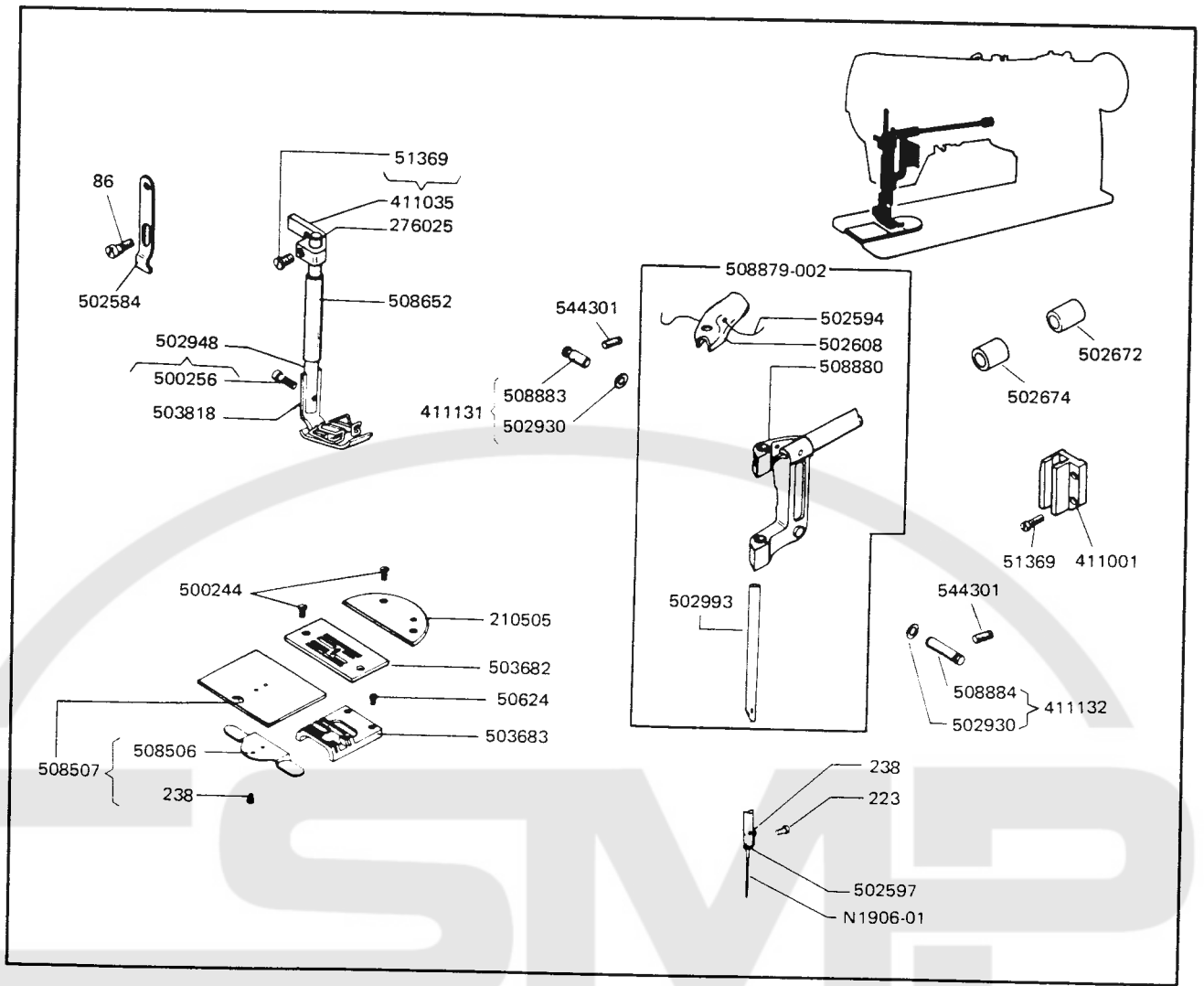


|            |  |            |   |
|------------|--|------------|---|
| 51369-850  | NEEDLE BAR CONNECTING LINK CLAMPING PLATE SCREW (2)                              | 417895     | NEEDLE VIBRATING PINION WITH TWO 544300                                       |
| 141567-833 | MACHINE PULLEY SET SCREW (2)   | 500244     | ROTARY TAKE-UP SCREW (2)  |
| 214206     | ARM SHAFT CONNECTION BELT PULLEY SPRING FLANGE                                   | 500272-830 | ARM SHAFT CONNECTION BELT PULLEY SET SCREW                                    |
| 270161     | NEEDLE BAR CRANK STUD PIN  | 500274-833 | ARM SHAFT CONNECTION BELT PULLEY POSITION SCREW                               |
| 270266     | NEEDLE BAR CONNECTING LINK NEEDLE BEARING  | 500307-850 | ARM SHAFT BUSHING (CENTER) SCREW  |
| 272142     | MACHINE PULLEY BALL BEARING  | 502508     | ARM SHAFT CONNECTION BELT   |
| 272143     | ARM SHAFT BALL BEARING   | 502509     | ARM SHAFT CONNECTION BELT PULLEY  |
| 276114     | NEEDLE BAR CONNECTING LINK THRUST WASHER   | 502510     | ARM SHAFT OIL SHIELD  |
| 374283     | BOBBIN WINDER DRIVING WHEEL SCREW (2)  | 502603     | NEEDLE BAR CONNECTING STUD OIL WICK   |
| 411004     | NEEDLE BAR CONNECTING STUD, CONNECTING LINK CPL. NOS., 411005, 411007 AND 508585 | 502659     | ROTARY TAKE-UP MOUNTING DISC  |
| 411005     | NEEDLE BAR CONNECTING STUD WITH 502603 AND 545249-452                            | 502682     | ARM SHAFT CONNECTION BELT PULLEY CPL. NOS., 214206, 500272, 500274 AND 502509 |
| 411007     | NEEDLE BAR CRANK STUD WITH 270161  | 502763     | ARM SHAFT BUSHING (CENTER)  |
| 411009     | NEEDLE BAR CONNECTING LINK GUIDE BLOCK   | 502831     | ARM SHAFT BUSHING (CENTER) SCREW PLUG   |
| 411010     | NEEDLE BAR CONNECTING LINK CLAMP PLATE   | 502927     | NEEDLE BAR CRANK POSITION PIN   |
| 411032     | ARM SHAFT CPL. NOS., 272143 AND 411183   | 504101     | NEEDLE BAR CRANK STUD POSITION SCREW  |
| 411083     | BOBBIN WINDER DRIVING WHEEL WITH TWO 374283                                      | 508585     | NEEDLE BAR CONNECTING LINK WITH 270266  |
| 411183     | ARM SHAFT AND NEEDLE BAR CRANK WITH 502927, 504101 AND 544290                    | 509087     | ROTARY TAKE-UP  |
| 411385     | MACHINE PULLEY WITH 272142 AND TWO 141567  | 543833-002 | ARM SHAFT BUSHING (CENTER) SCREW PLUG   |
|            |  | 544290     | NEEDLE BAR CRANK STUD PINCH SCREW   |
|            |  | 544300     | NEEDLE VIBRATING PINION SET SCREW (2)   |
|            |  | 545249-452 | NEEDLE BAR CONNECTING STUD SCREW  |

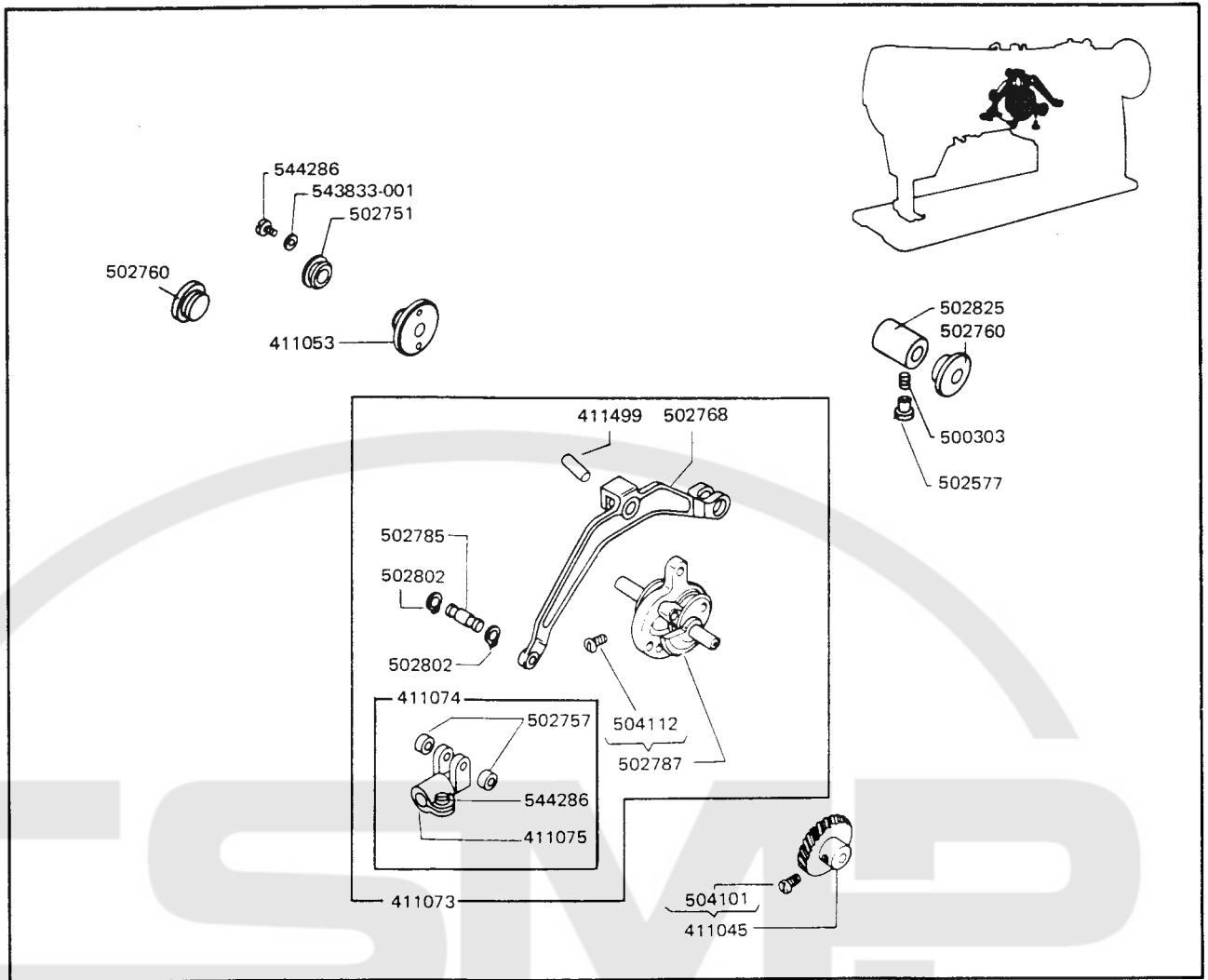


|            |   |
|------------|---|
| 1349-850   | PRESSER BAR LIFTER HINGE SCREW                              |
| 276027     | PRESSER BAR LIFTER  |
| 411023     | TENSION RELEASER CPL. NOS., 411024, 504509-452 AND 544295   |
| 411024     | TENSION RELEASER  |
| 411054     | KNEE LIFTER ROCK FRAME CPL. NOS., 411055, 502679 AND 502786 |
| 411055     | KNEE LIFTER ROCK FRAME HINGE STUD                           |
| 411120     | KNEE LIFTER LIFTING ROD SPRING COLLAR WITH 545205-452       |
| 411180     | KNEE LIFTER LIFTING ROD WITH TWO 543801-005                 |
| 417893     | PRESSER BAR SPRING CPL.                                     |
| 417894     | PRESSER BAR SPRING TUBE                                     |
| 500260-833 | PRESSER BAR SPRING ADJUSTING SCREW                          |
| 500261-850 | PRESSER BAR SPRING SCREW STUD                               |
| 500312-850 | LIGHT STUD HOLE SCREW PLUG (FOR UN-USED HOLE)               |

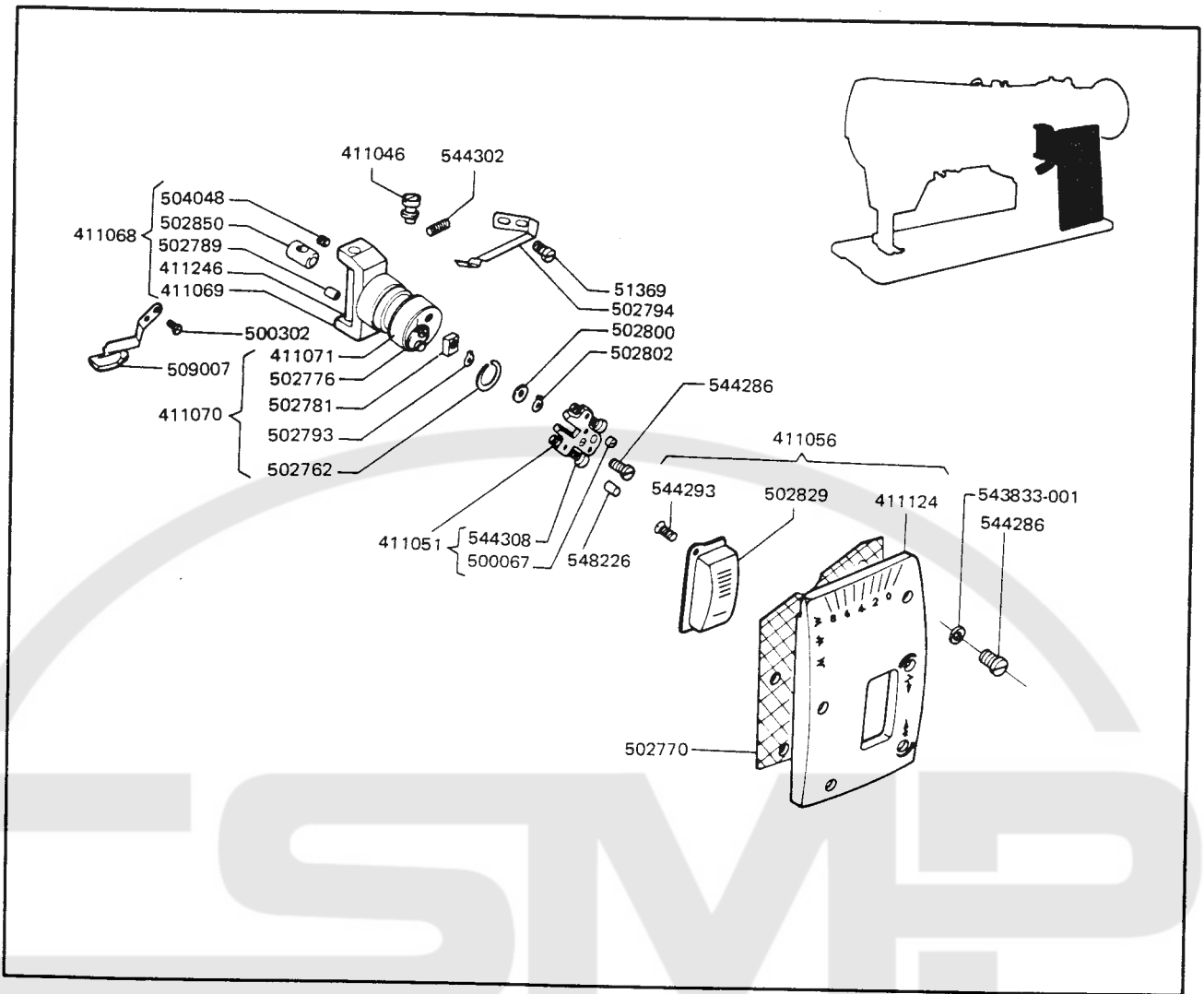
|            |  |
|------------|--|
| 502516     | PRESSER BAR SPRING WICK                      |
| 502586     | KNEE LIFTER LIFTING ROD SPRING               |
| 502653     | PRESSER BAR SPRING                           |
| 502662     | TENSION RELEASER SPRING                      |
| 502679     | KNEE LIFTER ROCK FRAME HINGE STUD PIN        |
| 502786     | KNEE LIFTER ROCK FRAME                       |
| 504509-452 | TENSION RELEASER ADJUSTING SCREW LOCK NUT    |
| 543801-005 | KNEE LIFTER LIFTING ROD GRID RING (2)        |
| 543833-002 | KNEE LIFTER ROCK FRAME HINGE STUD GASKET     |
| 543833-004 | PRESSER BAR SPRING SCREW STUD GASKET         |
| 544292     | KNEE LIFTER ROCK FRAME HINGE SCREW           |
| 544295     | TENSION RELEASER ADJUSTING SCREW             |
| 544296     | TENSION RELEASER HINGE SCREW                 |
| 545205-452 | KNEE LIFTER LIFTING ROD COLLAR SET SCREW     |
| 545347-452 | KNEE LIFTER ROCK FRAME HINGE STUD LOCK SCREW |
| 545754     | LIGHT STUD HOLE SCREW PLUG GASKET            |



|           |  |            |  |
|-----------|--|------------|--|
| 86-850    | KNEE LIFTER LIFTING LINK SCREW                             | 502594     | NEEDLE BAR OIL FELT CORD                                     |
| 223       | NEEDLE SET SCREW   | 502597     | NEEDLE BAR THREAD GUIDE                                      |
| 238       | NEEDLE BAR THREAD GUIDE SET SCREW                          | 502608     | NEEDLE BAR OIL FELT  |
| 238       | BED SLIDE SPRING SCREW (2)                                 | 502672     | NEEDLE BAR YOKE BEARING (BACK)                               |
| N1906-01  | NEEDLE (CAT. NO. 1906-01, #14)                             | 502674     | NEEDLE BAR YOKE BEARING (FRONT)                              |
| 50624-833 | FEED DOG SCREW (2)   | 502930     | NEEDLE BAR YOKE GUIDE SEAL (FRONT AND REAR) (2)              |
| 51369-850 | NEEDLE BAR CONNECTING STUD GUIDE BLOCK SCREW (2)           | 502948     | PRESSER BAR WITH 500256                                      |
| 51369-850 | PRESSER BAR POSITION GUIDE PINCH SCREW                     | 502993     | NEEDLE BAR   |
| 210505    | BED PLATE  | * 503682   | THROAT PLATE   |
| 276025    | PRESSER BAR BALL   | * 503683   | FEED DOG   |
| 411001    | NEEDLE BAR CONNECTING STUD GUIDE BLOCK                     | * 503818   | PRESSER FOOT   |
| 411035    | PRESSER BAR POSITION GUIDE WITH 51369                      | 508506     | BED SLIDE SPRING   |
| 411131    | NEEDLE BAR YOKE GUIDE (REAR) CPL. NOS., 502930 AND 508883  | 508507     | BED SLIDE WITH 508506 AND TWO 238                            |
| 411132    | NEEDLE BAR YOKE GUIDE (FRONT) CPL. NOS., 502930 AND 508884 | 508652     | PRESSER BAR BUSHING  |
| 500244    | BED PLATE SCREW (2)  | 508879-002 | NEEDLE BAR YOKE CPL. NOS., 502594, 502608, 502993 AND 508880 |
| 500244    | THROAT PLATE SCREW (2)                                     | 508880     | NEEDLE BAR YOKE  |
| 500256    | PRESSER FOOT SCREW   | 508883     | NEEDLE BAR YOKE GUIDE (REAR)                                 |
| 502584    | KNEE LIFTER LIFTING LINK                                   | 508884     | NEEDLE BAR YOKE GUIDE (FRONT)                                |
|           |  | 544301     | NEEDLE BAR YOKE GUIDE SET SCREW (2)                          |
|           |  | 502597     |  |
|           |  | N1906-01   |  |

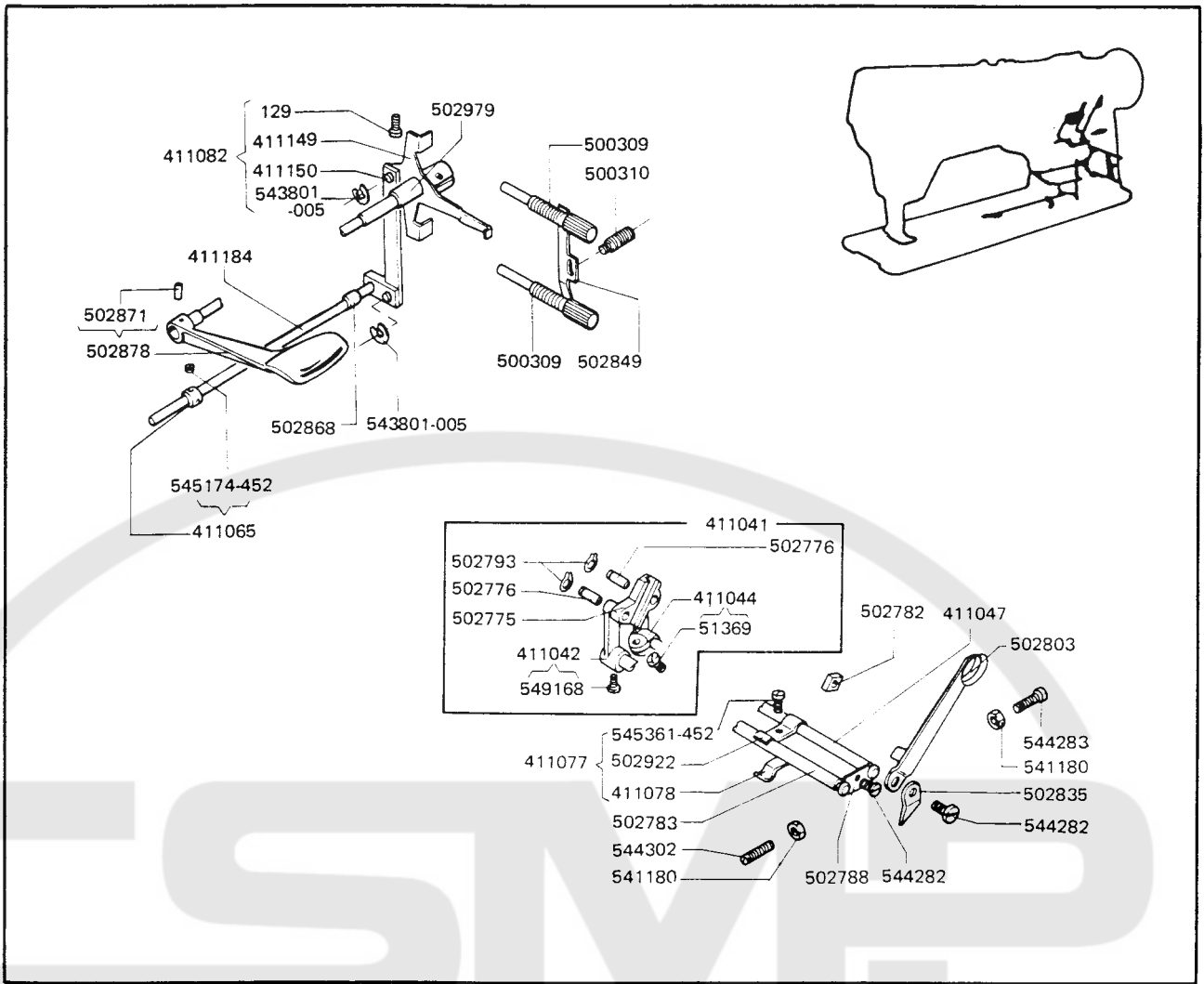


|            |  |            |  |
|------------|--|------------|--|
| 411045     | NEEDLE VIBRATING ECCENTRIC SHAFT GEAR WITH TWO 504101  | 502760     | NEEDLE VIBRATING CAM SHAFT BUSHING (FRONT) PLUG                  |
| 411053     | NEEDLE VIBRATING ECCENTRIC SHAFT BUSHING (BACK)  | • 502768   | NEEDLE BAR YOKE CONNECTING LINK                                  |
| • 411073   | NEEDLE BAR YOKE CONNECTING LINK CPL. NOS. 411074, 502768, 502785, 502787, 411499, TWO 502802 | • 502785   | NEEDLE BAR YOKE CONNECTING LINK HINGE STUD                       |
| • 411074   | NEEDLE BAR YOKE CONNECTING LINK HINGE BEARING CPL. NOS., 411075, 544286, AND TWO 502757      | 502787     | NEEDLE VIBRATING ECCENTRIC SHAFT                                 |
| 411075     | NEEDLE BAR YOKE CONNECTING LINK HINGE BEARING  | • 502802   | NEEDLE BAR YOKE CONNECTING LINK HINGE STUD SNAP RING (2)         |
| 411499     | NEEDLE BAR YOKE CONNECTING LINK STUD   | 502825     | NEEDLE VIBRATING CAM SHAFT BUSHING (FRONT)                       |
| 500303-869 | NEEDLE VIBRATING CAM SHAFT BUSHING (FRONT) SET SCREW   | 504101     | NEEDLE VIBRATING ECCENTRIC SHAFT GEAR SET SCREW (2)              |
| 502577     | NEEDLE VIBRATING CAM SHAFT BUSHING (FRONT) SET SCREW PLUG                                    | 504112     | NEEDLE BAR YOKE CONNECTING LINK STUD SCREW                       |
| 502751     | NEEDLE VIBRATING CAM SHAFT BUSHING (BACK) PLUG   | 543833-001 | NEEDLE VIBRATING ECCENTRIC SHAFT BUSHING (BACK) SCREW GASKET (2) |
| • 502757   | NEEDLE BAR YOKE CONNECTING LINK HINGE BEARING BUSHING (2)                                    | 544286     | NEEDLE BAR YOKE CONNECTING LINK HINGE BEARING PINCH SCREW        |
| 502760     | ARM HOLE PLUG  | 544286     | NEEDLE VIBRATING ECCENTRIC SHAFT BUSHING (BACK) SCREW (2)        |



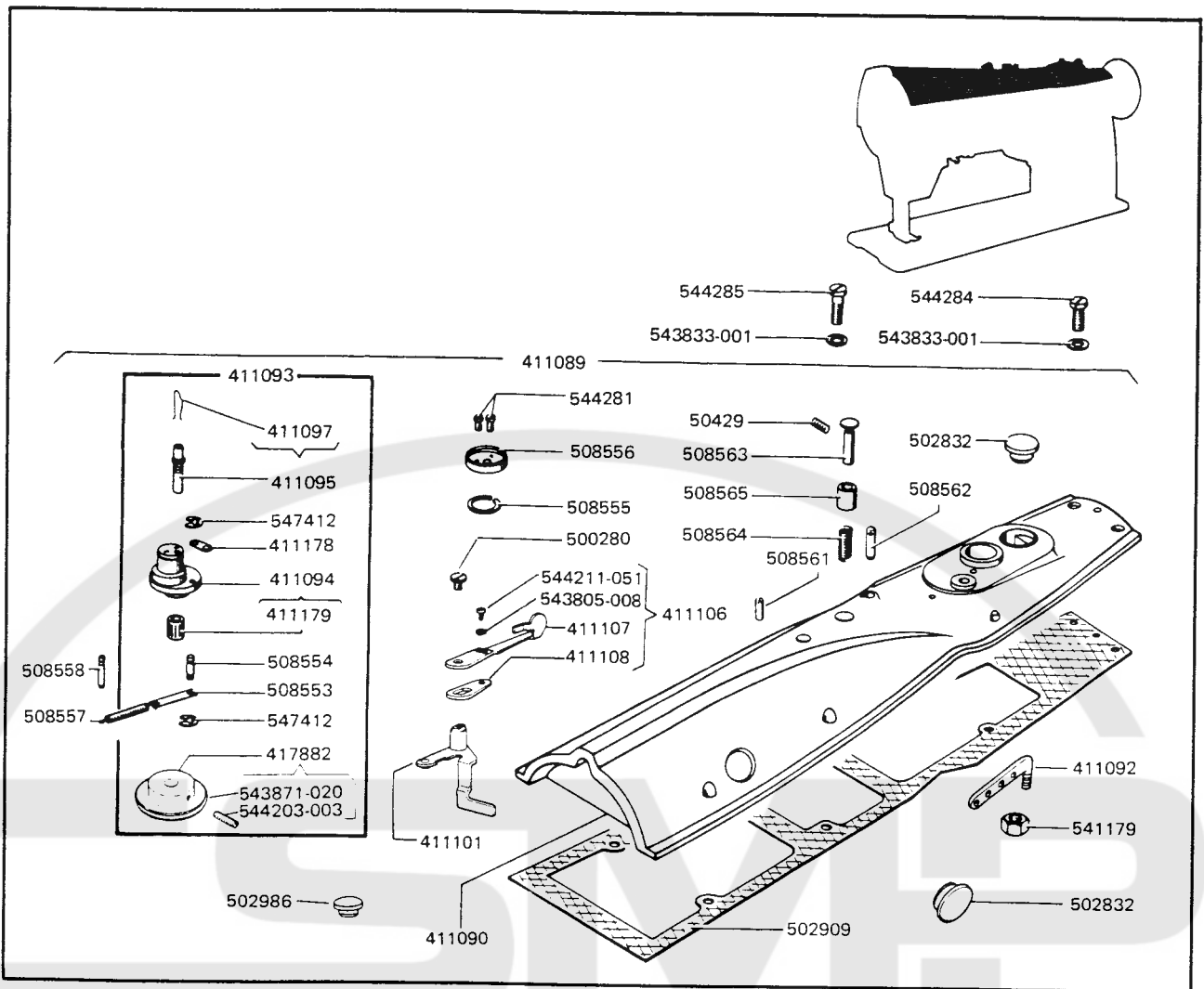
|             |  |            |  |
|-------------|--|------------|--|
| * 51369-850 | NEEDLE POSITION ADJUSTING ECCENTRIC POSITION SPRING SCREW (2)  | 502789     | NEEDLE BAR YOKE CONNECTING LINK CARRIER FRAME STUD                             |
| 411046      | NEEDLE POSITION ADJUSTING CAM REGULATING STUD  | * 502793   | NEEDLE POSITION ADJUSTING ECCENTRIC BUSHING (SMALL) SLIDE BLOCK STUD SNAP RING |
| * 411051    | NEEDLE POSITION ADJUSTING ECCENTRIC SLIDE BLOCK BRACKET WITH TWO EACH 500067 AND 544308                | * 502794   | NEEDLE POSITION ADJUSTING ECCENTRIC POSITION SPRING                            |
| * 411056    | ARM COVER (FRONT) CPL. NOS., 411124, 502829 AND TWO 544293   | * 502800   | NEEDLE BAR YOKE CONNECTING LINK CARRIER FRAME CUP SPRING                       |
| * 411068    | NEEDLE BAR YOKE CONNECTING LINK CARRIER FRAME CPL. NOS., 411069, 502789, 502850, 411246 AND TWO 504048 | * 502802   | NEEDLE BAR YOKE CONNECTING LINK CARRIER FRAME SNAP RING                        |
| * 411069    | NEEDLE BAR YOKE CONNECTING LINK CARRIER FRAME  | 502829     | STITCH LENGTH INDICATOR PLATE  |
| * 411070    | NEEDLE POSITION ADJUSTING ECCENTRIC CPL. NOS., 411071, 502776, 502781, 502793 AND TWO 502762           | 502850     | NEEDLE BAR YOKE CONNECTING LINK SLIDE BEARING                                  |
| * 411071    | NEEDLE POSITION ADJUSTING ECCENTRIC  | 504048     | NEEDLE BAR YOKE CONNECTING LINK CARRIER FRAME SLIDE STUD SET SCREW (2)         |
| * 411124    | ARM COVER (FRONT)  | 509007     | NEEDLE POSITION ADJUSTING LEVER  |
| 411246      | NEEDLE BAR YOKE CONNECTING LINK SLIDE STUD   | 543833-001 | ARM COVER (FRONT) SCREW GASKET RING (3)  |
| 500067-833  | NEEDLE POSITION ADJUSTING CAM STOP SCREW SET SCREW (2)   | 544286     | NEEDLE POSITION ADJUSTING CAM SLIDING BLOCK BRACKET SCREW (2)                  |
| 500302-850  | NEEDLE POSITION ADJUSTING ECCENTRIC STOP SCREW (2)   | 544286     | ARM COVER (FRONT) SCREW (3)  |
| * 502762    | NEEDLE POSITION ADJUSTING ECCENTRIC BUSHING (SMALL) SNAP RING (2)                                      | 544293     | STITCH LENGTH INDICATOR PLATE SCREW (2)  |
| 502770      | ARM COVER (FRONT) GASKET   | 544302-850 | NEEDLE POSITION ADJUSTING ECCENTRIC REGULATING STUD SET SCREW (2)              |
| * 502776    | NEEDLE POSITION ADJUSTING ECCENTRIC BUSHING (SMALL) SLIDE BLOCK STUD                                   | 544308     | NEEDLE POSITION ADJUSTING ECCENTRIC STOP SCREW (2)                             |
| * 502781    | NEEDLE POSITION ADJUSTING ECCENTRIC BUSHING (SMALL) SLIDE BLOCK  | * 548226   | NEEDLE POSITION ADJUSTING ECCENTRIC SLIDE BLOCK BRACKET DOWEL PIN (2)          |



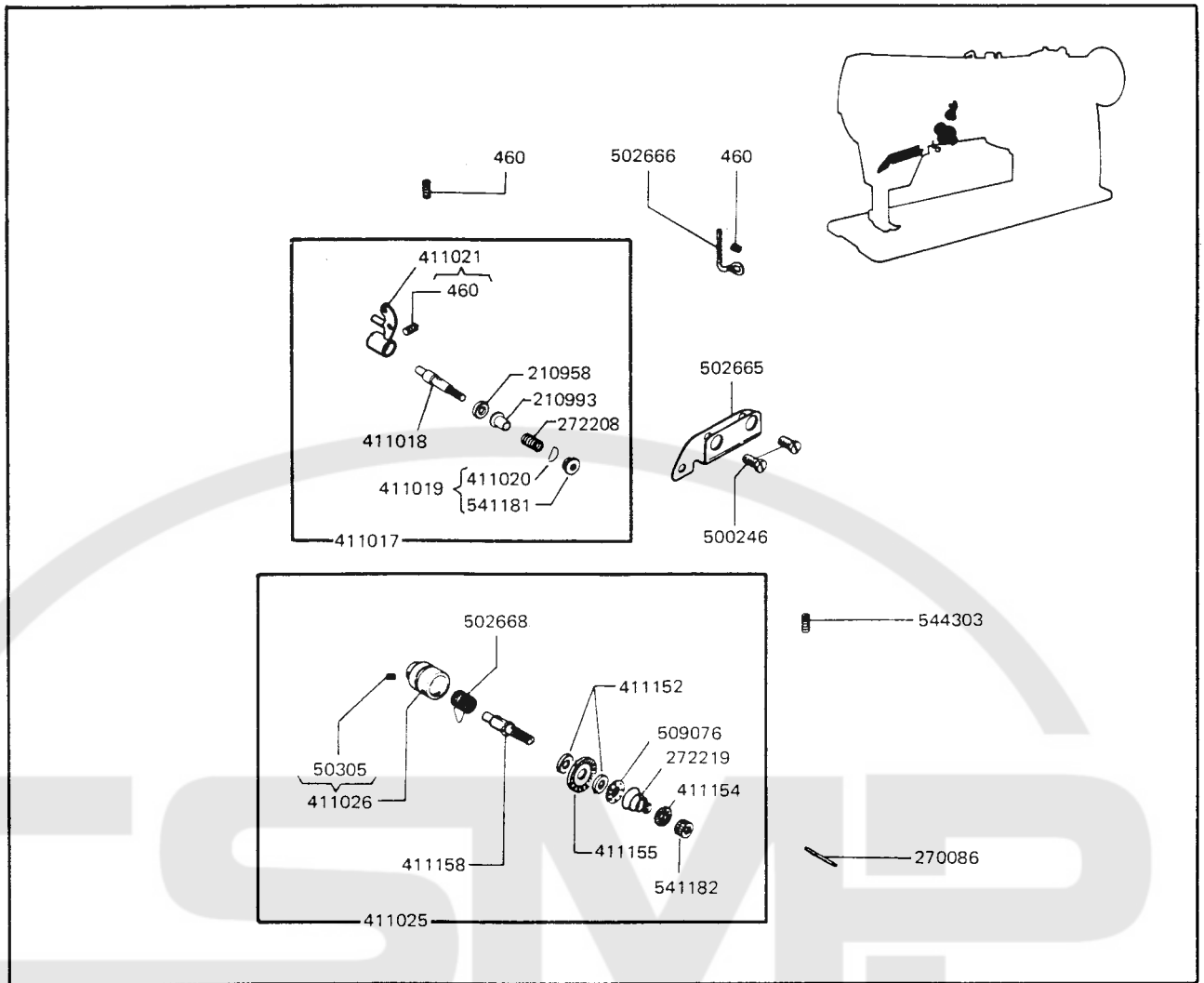


| PART NO.    | DESCRIPTION  |
|-------------|--|
| 129-850     | FEED REGULATING SHAFT INDICATOR LEVER SCREW  |
| * 51369-850 | NEEDLE VIBRATING ADJUSTING CRANK PINCH SCREW   |
| * 411041    | NEEDLE VIBRATING ADJUSTING BRACKET CPL. NOS., 411042, 411044, 502775, TWO EACH 502776 AND 502793 |
| * 411042    | NEEDLE VIBRATING ADJUSTING GUIDE CRANK WITH 549168   |
| * 411044    | NEEDLE VIBRATING ADJUSTING CRANK WITH 51369  |
| * 411047    | NEEDLE VIBRATING ADJUSTING CRANK SHAFT   |
| 411065      | FEED REGULATING CONNECTION SHAFT COLLAR WITH TWO 545174-452                                      |
| * 411077    | NEEDLE VIBRATING ADJUSTING SHAFT CLAMPING BRACKET CPL. NOS., 411078, 502922 AND 545361-452       |
| * 411078    | NEEDLE VIBRATING ADJUSTING SHAFT CLAMPING BRACKET (LOWER)  |
| 411082      | FEED REGULATING SHAFT INDICATOR CPL. NOS., 129, 411149, 411150 AND 543801-005                    |
| 411149      | FEED REGULATING SHAFT INDICATOR LEVER  |
| 411150      | FEED REGULATING SHAFT INDICATOR LEVER CONNECTING LINK  |
| 411184      | FEED REGULATING CONNECTION SHAFT   |
| 500309-850  | FEED REGULATING SHAFT INDICATOR STOP SCREW (2)   |
| 501310-833  | FEED REGULATING RETAINING SPRING SCREW   |
| * 502775    | NEEDLE VIBRATING ADJUSTING BRACKET   |
| * 502776    | NEEDLE POSITION ADJUSTING ECCENTRIC BUSHING (SMALL) SLIDE BLOCK STUD (2)                         |
| * 502782    | NEEDLE VIBRATING ADJUSTING BRACKET SLIDE BLOCK   |
| * 502783    | NEEDLE VIBRATING ADJUSTING GUIDE CRANK SHAFT   |
| * 502788    | NEEDLE VIBRATING ADJUSTING SHAFT RETAINER  |
| * 502793    | NEEDLE VIBRATING ADJUSTING BRACKET STUD SNAP RING (2)  |

|              |   |
|--------------|---|
| * 502803     | NEEDLE VIBRATING ADJUSTING LEVER                            |
| * 502835     | NEEDLE VIBRATING ADJUSTING LEVER OIL GUIDE                  |
| 502849       | FEED REGULATING SHAFT INDICATOR STOP SCREW RETAINING SPRING |
| 502868       | FEED REGULATING CONNECTION SHAFT BUSHING                    |
| 502871       | FEED REGULATING SHAFT LEVER POSITION PIN                    |
| 502878       | FEED REGULATING SHAFT LEVER WITH 502871                     |
| * 502922     | NEEDLE VIBRATING ADJUSTING SHAFT CLAMPING BRACKET (UPPER)   |
| 502979       | FEED REGULATING SHAFT SPACER                                |
| * 541180     | NEEDLE VIBRATING ADJUSTING LEVER STOP SCREW NUT (2)         |
| 543801-005   | FEED REGULATING SHAFT INDICATOR LEVER HINGE STUD RETAINER   |
| 543801-005   | FEED REGULATING CONNECTION SHAFT CRANK LINK RETAINING RING  |
| * 544282     | NEEDLE VIBRATING ADJUSTING LEVER OIL GUIDE SCREW            |
| * 544282     | NEEDLE VIBRATING ADJUSTING SHAFT RETAINER SCREW             |
| * 544283     | NEEDLE VIBRATING ADJUSTING LEVER STOP SCREW (RIGHT)         |
| * 544302     | NEEDLE VIBRATING ADJUSTING LEVER STOP SCREW (LEFT)          |
| 545174-452   | FEED REGULATING CONNECTING SHAFT COLLAR SET SCREW (2)       |
| * 545361-452 | NEEDLE VIBRATING ADJUSTING SHAFT CLAMPING BRACKET SCREW     |
| * 549168     | NEEDLE VIBRATING ADJUSTING GUIDE CRANK SET SCREW            |

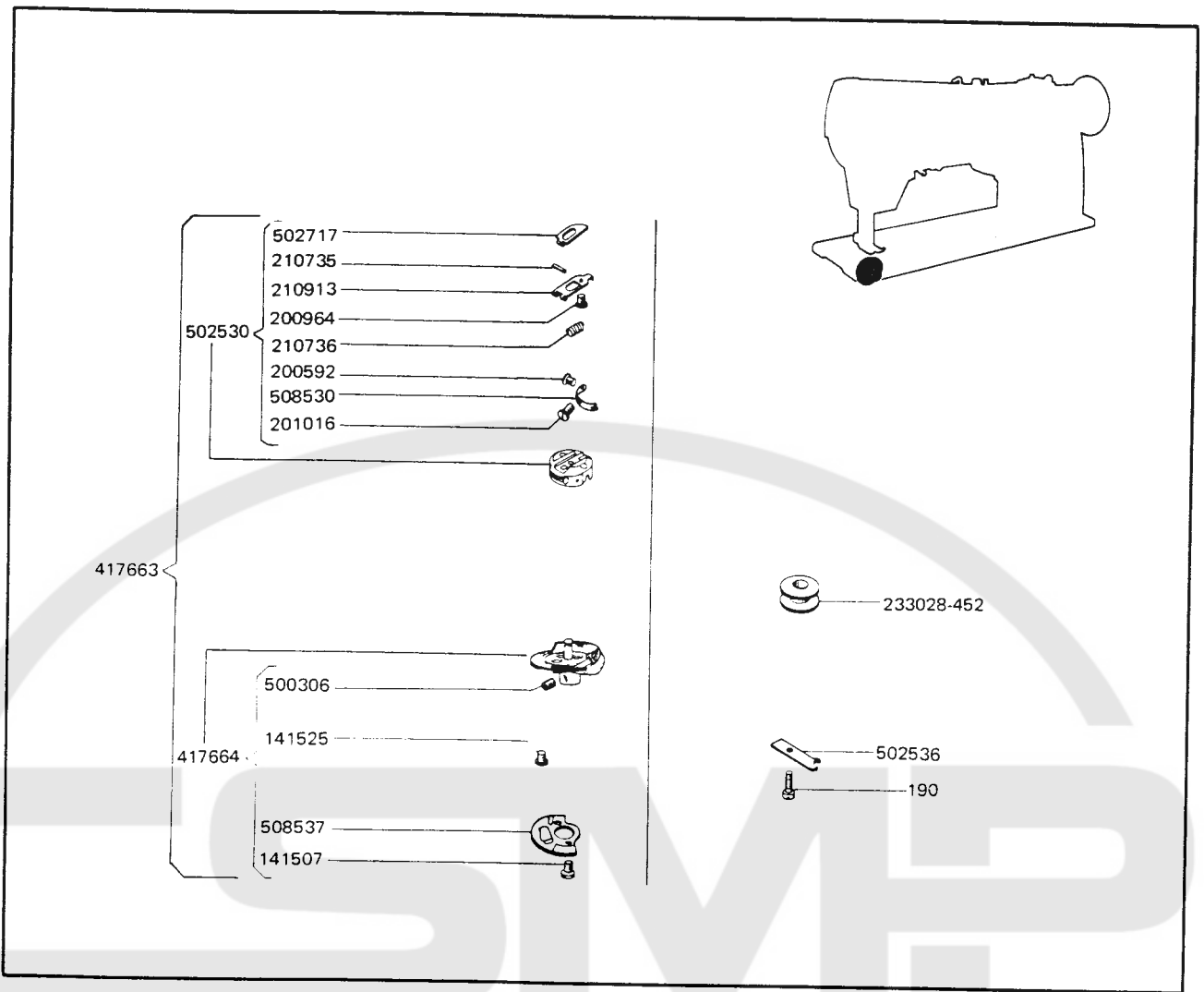


|            |   |            |  |
|------------|---|------------|--|
| 50429-833  | ARM COVER (TOP) THREAD TENSION STUD SET SCREW   | 502986     | PRESSER FOOT PRESSURE ADJ. HOLE PLUG                                     |
| 411089     | ARM COVER (TOP) CPL. NOS. 50429, 411090, 411092, 411093, 411101, 411106, 500280, 502909, 502986, 508555 TO 508558, 508562 TO 508565, 541179, TWO EACH 502832, 508561 AND 544281 | 508553     | BOBBIN WINDER SHAFT BUSHING (ECCENTRIC) SPRING SHACKLE                   |
| 411090     | ARM COVER (TOP)   | 508554     | BOBBIN WINDER SHAFT BUSHING (ECCENTRIC) LINK STUD                        |
| 411092     | THREAD RETAINER   | 508555     | BOBBIN WINDER SHAFT BUSHING (ECCENTRIC) SNAP RING                        |
| 411093     | BOBBIN WINDER SHAFT BUSHING (ECCENTRIC) CPL. NOS. 411094, 411095, 417882, 411178, 508553, 508554 AND TWO 547412   | 508556     | BOBBIN WINDER SHAFT BUSHING (ECCENTRIC) THREAD GUARD                     |
| 411094     | BOBBIN WINDER SHAFT BUSHING (ECCENTRIC) WITH 411179   | 508557     | BOBBIN WINDER SHAFT BUSHING (ECCENTRIC) COIL SPRING                      |
| 411095     | BOBBIN WINDER SHAFT WITH 411097   | 508558     | BOBBIN WINDER SHAFT BUSHING (ECCENTRIC) COIL SPRING STUD                 |
| 411097     | BOBBIN SNAP SPRING  | 508561     | ARM COVER (TOP) POSITION PIN (2)   |
| 411101     | BOBBIN WINDER SHAFT BUSHING (ECCENTRIC) ROCKING LEVER   | 508562     | ARM COVER (TOP) THREAD GUIDE STUD  |
| 411106     | BOBBIN WINDER SHAFT BUSHING (ECCENTRIC) TRIP LEVER CPL. NOS. 411107, 411108, 543805-008 AND 544211-051  | 508563     | ARM COVER (TOP) THREAD TENSION STUD                                      |
| 411107     | BOBBIN WINDER SHAFT BUSHING (ECCENTRIC) TRIP LEVER (LONG)   | 508564     | ARM COVER (TOP) THREAD TENSION STUD SPRING                               |
| 411108     | BOBBIN WINDER SHAFT BUSHING (ECCENTRIC) TRIP LEVER (SHORT)  | 508565     | ARM COVER (TOP) THREAD TENSION STUD DISC                                 |
| 411178     | BOBBIN WINDER SHAFT BUSHING (ECCENTRIC) CONNECTING LEVER  | 541179     | THREAD RETAINER LOCK NUT   |
| 411179     | BOBBIN WINDER SHAFT BUSHING (ECCENTRIC) BEARING   | 543805-008 | BOBBIN WINDER SHAFT BUSHING (ECCENTRIC) TRIP LEVER SCREW WASHER          |
| 417882     | BOBBIN WINDER SHAFT FRICTION WHEEL WITH 543871-020 AND 544203-003   | 543833-001 | ARM COVER (TOP) SCREW GASKET RING (8)                                    |
| 500280-850 | BOBBIN WINDER SHAFT BUSHING (ECCENTRIC) TRIP LEVER CAP SCREW  | 543871-020 | BOBBIN WINDER SHAFT FRICTION WHEEL RING                                  |
| 502832     | ARM COVER (TOP) PLUG (2)  | 544203-003 | BOBBIN WINDER SHAFT FRICTION WHEEL SET SCREW (2)                         |
| 502909     | ARM COVER (TOP) GASKET  | 544211-051 | BOBBIN WINDER SHAFT BUSHING (ECCENTRIC) TRIP LEVER SCREW                 |
|            |   | 544281     | BOBBIN WINDER SHAFT BUSHING (ECCENTRIC) THREAD GUARD FASTENING SCREW (2) |
|            |   | 544284     | ARM COVER (TOP) SCREW (SHORT) (4)  |
|            |   | 544285     | ARM COVER (TOP) SCREW (LONG) (4)   |
|            |   | 547412     | BOBBIN WINDER SHAFT BUSHING (ECCENTRIC) LINK STUD LOCKING WASHER (2)     |



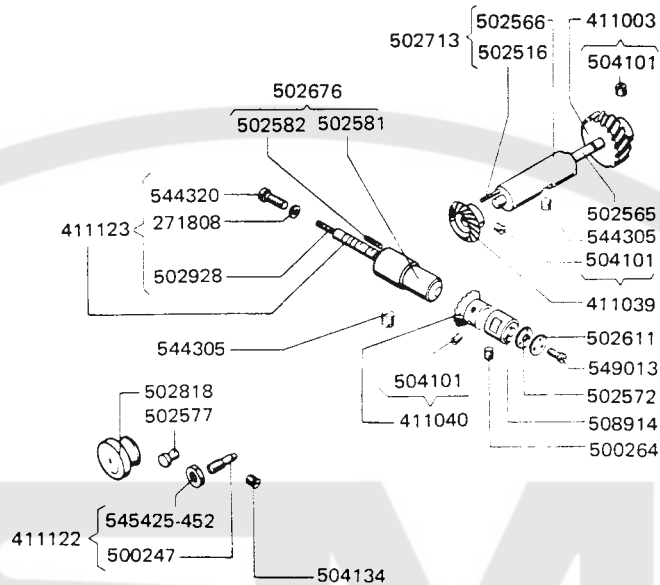
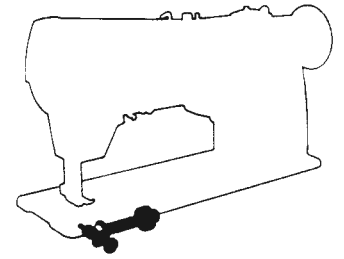
|           |  |
|-----------|--|
| 460-833   | THREAD PULL OFF SET SCREW  |
| 460-833   | PRETENSION BRACKET SCREW   |
| 460-833   | PRETENSION BRACKET SET SCREW   |
| 50305-850 | TENSION STUD SET SCREW   |
| 210958    | PRETENSION STUD COLLAR   |
| 210993    | PRETENSION SLEEVE  |
| 270086    | TENSION RELEASING PIN  |
| 272208    | TENSION SPRING   |
| 272219    | TENSION SPRING   |
| 411017    | PRETENSION CPL. NOS., 210958, 210993, 272208, 411018,<br>411019 AND 411021 |
| 411018    | PRETENSION STUO  |
| 411019    | PRETENSION ADJUSTING NUT CPL. NOS., 411020 AND<br>541181                   |
| 411020    | PRETENSION ADJUSTING NUT SPRING  |
| 411021    | PRETENSION BRACKET WITH 460  |

|            |   |
|------------|---|
| 411025     | TENSION CPL. NOS., 272219, 411026, 411153 TO<br>411155, 411158, 509076, 541182 AND TWO 411152 |
| 411026     | THREAD TAKE-UP SPRING REGULATOR WITH 50305  |
| 411152     | TENSION FELT WASHER (2)   |
| 411154     | TENSION THUMB NUT LOCK WASHER   |
| 411155     | TENSION WHEEL   |
| 411158     | TENSION STUD  |
| 500246-850 | THREAD GUIDE SCREW (2)  |
| 502665     | THREAD GUIDE  |
| 502666     | THREAD PULL OFF   |
| 502668     | THREAD TAKE-UP SPRING   |
| 509076     | TENSION RELEASING DISC  |
| 541181     | PRETENSION ADJUSTING NUT  |
| 541182     | TENSION THUMB NUT   |
| 544303     | THREAD REGULATOR SET SCREW  |

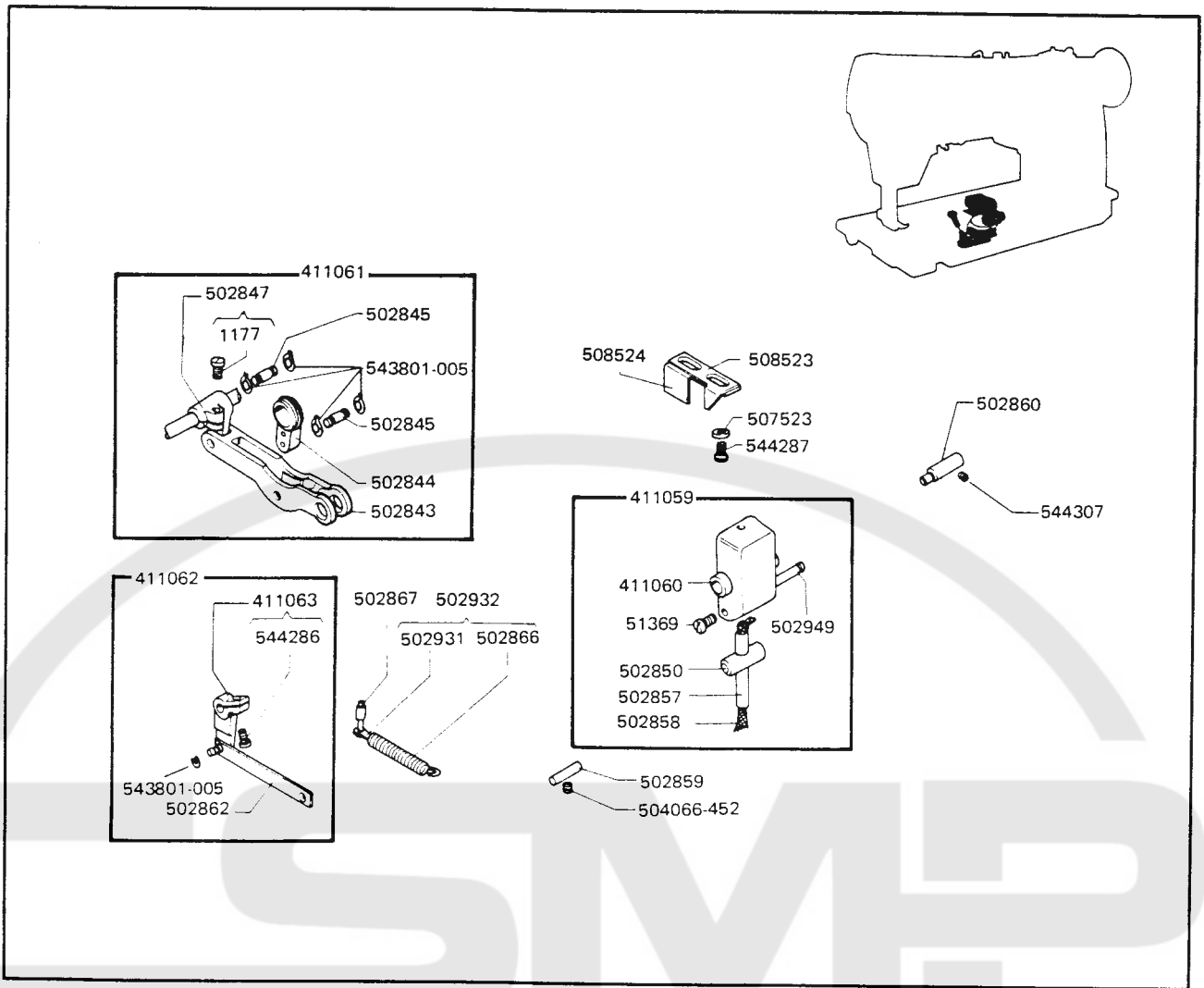


|            |   |
|------------|---|
| 190-850    | BOBBIN CASE STOP SCREW                          |
| 141507-803 | HOOK NEEDLE GUARD AND COUNTERBALANCE SCREW      |
| 141525-806 | HOOK GIB SCREW (3)                              |
| 200592-803 | BOBBIN CASE CAP TENSION SPRING SCREW            |
| 200964-803 | BOBBIN CASE LATCH STOP SCREW                    |
| 201016-803 | BOBBIN CASE CAP TENSION SPRING REGULATING SCREW |
| 210735     | BOBBIN CASE FULCRUM PIN                         |
| 210736     | BOBBIN CASE LATCH SPRING                        |
| 210913     | BOBBIN CASE LATCH                               |
| 233028-452 | BOBBIN  |

|            |  |
|------------|--|
| 417663     | HOOK AND BOBBIN CASE CPL. NOS. 502530 AND 417664                                       |
| 417664     | HOOK WITH 141507, 508537, TWO 500306 AND THREE 141525                                  |
| 500306-869 | HOOK SET SCREW (2)   |
| 502530     | BOBBIN CASE CAP WITH 200592, 200964, 201016, 210735, 210736, 210913, 502717 AND 508530 |
| 502536     | BOBBIN CASE STOP   |
| 502717     | BOBBIN CASE LATCH LEVER  |
| 508530     | BOBBIN CASE CAP TENSION SPRING   |
| 508537     | HOOK NEEDLE GUARD AND COUNTERBALANCE   |

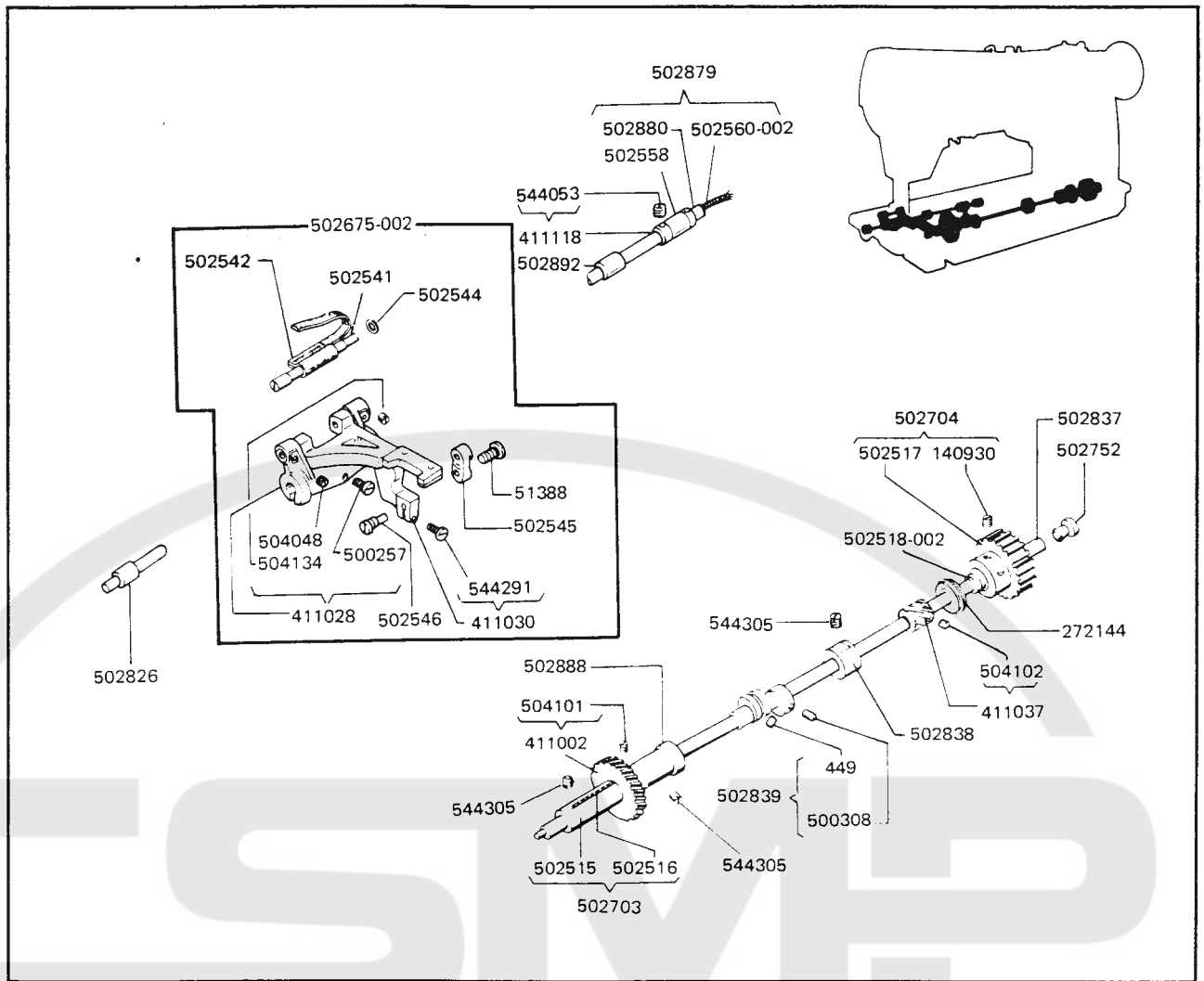


|            |  |            |   |
|------------|--|------------|---|
| 271808     | HOOK SHAFT OIL FILTER WICK HOLDER SEAL                     | 502676     | HOOK SHAFT BUSHING (BACK) CPL. NOS., 502581 AND 502582  |
| 411003     | HOOK DRIVING SHAFT HELICAL GEAR WITH TWO 504101            | 502713     | HOOK DRIVING SHAFT BUSHING CPL. NOS., 502516 AND 502566 |
| 411039     | HOOK DRIVING SHAFT BEVEL GEAR WITH TWO 504101              | 502818     | HOOK SHAFT GEAR BOX VENT CAP                            |
| 411040     | HOOK SHAFT BEVEL GEAR WITH TWO 504101                      | 502928     | HOOK SHAFT OIL FILTER FELT                              |
| 411122     | HOOK OIL REGULATING SCREW CPL. NOS., 500247 AND 545425-452 | 504101     | HOOK DRIVING SHAFT HELICAL GEAR SET SCREW (2)           |
| 411123     | HOOK SHAFT WITH 271808, 502928 AND 544320                  | 504101     | HOOK DRIVING SHAFT BEVEL GEAR SET SCREW (2)             |
| 500247-833 | HOOK OIL REGULATING SCREW                                  | 504101     | HOOK SHAFT BEVEL GEAR SET SCREW (2)                     |
| 500264-833 | HOOK SHAFT BUSHING (FRONT) SET SCREW                       | 504101     | HOOK SHAFT BUSHING (FRONT)                              |
| 502516     | HOOK DRIVING SHAFT BUSHING WICK                            | 504101     | HOOK OIL BYPASS PLUG SCREW                              |
| 502565     | HOOK DRIVING SHAFT   | 508914     | HOOK SHAFT BUSHING (FRONT)                              |
| 502566     | HOOK DRIVING SHAFT BUSHING                                 | 544305     | HOOK DRIVING SHAFT BUSHING SET SCREW                    |
| 502572     | HOOK SHAFT BUSHING CAP GASKET                              | 544305     | HOOK SHAFT BUSHING (BACK) SET SCREW                     |
| 502577     | HOOK SHAFT GEAR BOX PLUG                                   | 544320     | HOOK SHAFT OIL FILTER WICK HOLDER                       |
| 502581     | HOOK SHAFT BUSHING (BACK)                                  | 545425-452 | HOOK OIL REGULATING SCREW LOCK NUT                      |
| 502582     | HOOK SHAFT BUSHING (BACK) WICK                             | 549013     | HOOK SHAFT BUSHING (FRONT) CAP SCREW (3)                |
| 502611     | HOOK SHAFT BUSHING CAP                                     |            |   |

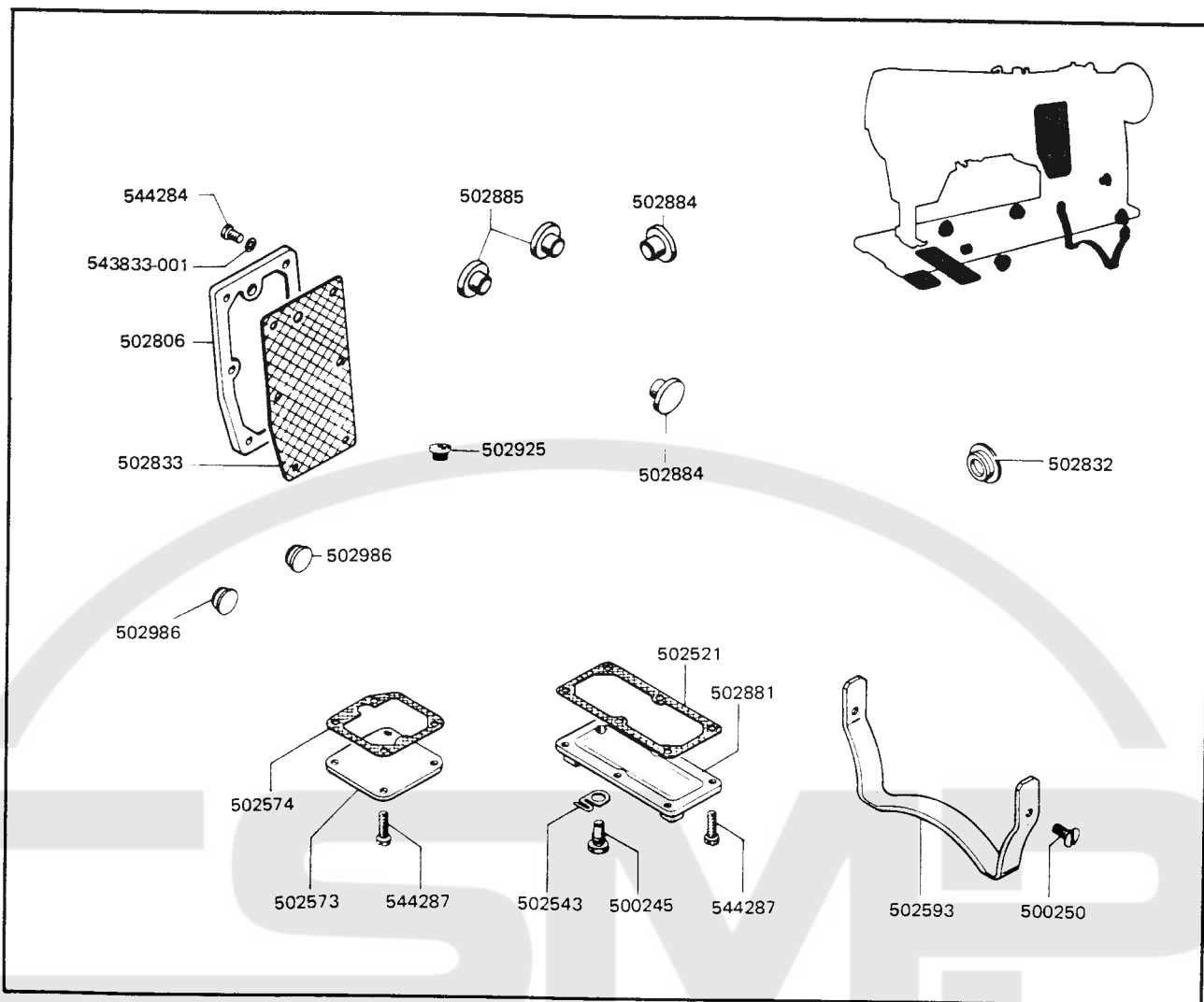


|           |   |
|-----------|---|
| 1177-850  | FEED DRIVING CONNECTION CRANK PINCH SCREW   |
| 51369-850 | FEED DRIVING CONNECTION CARRIER FRAME SLIDE STUD SET SCREW  |
| 411059    | FEED DRIVING CONNECTION CARRIER FRAME CPL. NOS., 51369, 411060, 502850, 502857, 502858 AND 502949 |
| 411060    | FEED DRIVING CONNECTION CARRIER FRAME   |
| 411061    | FEED DRIVING CONNECTION CPL. NOS., 502843, 502844, 502847, TWO 502845 AND FOUR 543801-005         |
| 411062    | FEED REGULATING CONNECTION SHAFT CRANK AND LINK CPL. NOS., 411063, 502862 AND 543801-005          |
| 411063    | FEED REGULATING CONNECTION SHAFT CRANK WITH 544286  |
| 502843    | FEED DRIVING CONNECTION LEVER   |
| 502844    | FEED DRIVING CONNECTION LINK  |
| 502845    | FEED DRIVING CONNECTION LEVER HINGE PIN (2)   |
| 502847    | FEED DRIVING CONNECTION CRANK WITH 1177   |
| 502850    | FEED DRIVING CONNECTION LEVER SLIDE BEARING   |
| 502857    | FEED DRIVING CONNECTION CARRIER FRAME SLIDE STUD  |
| 502858    | FEED DRIVING CONNECTION CARRIER FRAME SLIDE STUD OIL WICK   |
| 502859    | FEED DRIVING CONNECTION CARRIER FRAME BEARING STUD (LEFT)   |
| 502860    | FEED DRIVING CONNECTION CARRIER FRAME BEARING STUD (RIGHT)  |
| 502862    | FEED REGULATING CONNECTION SHAFT CRANK LINK   |
| 502866    | FEED DRIVING CONNECTION CARRIER FRAME SPRING  |

|            |   |
|------------|---|
| 502867     | FEED DRIVING CONNECTION CARRIER FRAME SPRING STUD (BED SIDE)              |
| 502931     | FEED DRIVING CONNECTION CARRIER FRAME SPRING RETAINER                     |
| 502932     | FEED DRIVING CONNECTION CARRIER FRAME SPRING CPL. NOS., 502866 AND 502931 |
| 502949     | FEED DRIVING CONNECTION CARRIER FRAME SPRING STUD                         |
| 504066-452 | FEED DRIVING CONNECTION CARRIER FRAME STUD (LEFT) SET SCREW               |
| 507523     | FEED DRIVING CONNECTION CARRIER FRAME STOP SCREW WASHER (2)               |
| 508523     | FEED DRIVING CONNECTION CARRIER FRAME STOP (BACK)                         |
| 508524     | FEED DRIVING CONNECTION CARRIER FRAME STOP (FRONT)                        |
| 543801-005 | FEED DRIVING CONNECTION LEVER HINGE PIN RETAINER (4)                      |
| 543801-005 | FEED REGULATING CONNECTION SHAFT CRANK LINK RETAINING RING                |
| 544286     | FEED REGULATING CONNECTION SHAFT CRANK PINCH SCREW                        |
| 544287     | FEED DRIVING CONNECTION CARRIER FRAME STOP SCREW (2)                      |
| 544307     | FEED DRIVING CONNECTION CARRIER FRAME STUD (RIGHT) SET SCREW              |



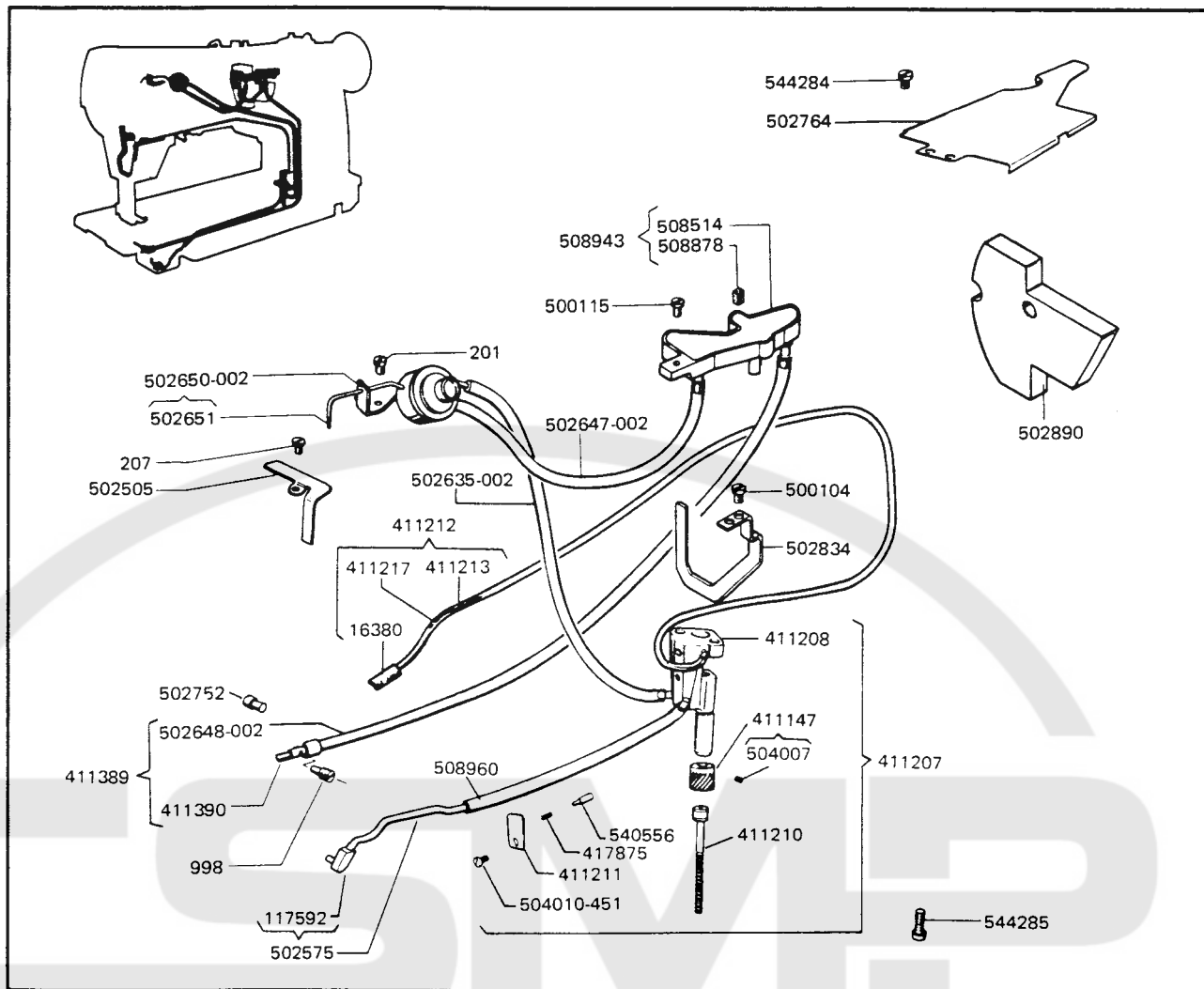
|            |  |            |  |
|------------|--|------------|--|
| 449-833    | FEED DRIVING ECCENTRIC SET SCREW                             | 502675-002 | FEED DRIVING ROCK SHAFT CRANK CPL. NOS. 51388, 411028, 411030, 502541, 502542, 502545, 502546 AND TWO 502544 |
| 51388-850  | FEED BAR LIFTING LINK PIN CAP SCREW                          | 502703     | BED SHAFT BUSHING (FRONT) CPL. NOS., 502515 AND 502516   |
| 140930-869 | BED SHAFT CONNECTION BELT PULLEY SET SCREW (2)               | 502704     | BED SHAFT CONNECTION BELT PULLEY CPL. NOS., 502517 AND TWO 140930  |
| 272144     | BED SHAFT BALL BEARING                                       | 502752     | BED SHAFT OIL HOLE PLUG  |
| 411002     | BED SHAFT GEAR WITH TWO 504101                               | 502826     | FEED DRIVING ROCK SHAFT BUSHING (FRONT)  |
| 411028     | FEED DRIVING ROCK SHAFT CRANK WITH 500257, 504048 AND 504134 | 502837     | BED SHAFT  |
| 411030     | FEED BAR WITH 544291   | 502838     | BED SHAFT BUSHING (BACK)   |
| 411037     | OIL PUMP DRIVING GEAR WITH TWO 504102                        | 502839     | FEED DRIVING ECCENTRIC WITH 449 AND 500308   |
| 411118     | FEED DRIVING ROCK SHAFT COLLAR (2) WITH TWO 544053           | 502879     | FEED DRIVING ROCK SHAFT CPL. NOS., 502560-002 AND 502880   |
| 500257-850 | FEED DRIVING ROCK SHAFT CRANK PINCH SCREW                    | 502880     | FEED DRIVING ROCK SHAFT  |
| 500308-833 | FEED DRIVING ECCENTRIC POSITION SCREW                        | 502888     | BED SHAFT BUSHING (CENTER)   |
| 502515     | BED SHAFT BUSHING (FRONT)                                    | 502892     | FEED DRIVING ROCK SHAFT BUSHING (CENTER)   |
| 502516     | BED SHAFT BUSHING (FRONT) OIL WICK                           | 504048     | FEED BAR HINGE PIN SET SCREW (SHORT)   |
| 502517     | BED CONNECTION BELT PULLEY                                   | 504101     | BED SHAFT GEAR SET SCREW (2)   |
| 502518-002 | BED CONNECTION BELT PULLEY SPACER                            | 504102     | OIL PUMP DRIVING GEAR SET SCREW (2)  |
| 502541     | FEED BAR HINGE PIN   | 504134     | FEED BAR HINGE PIN SET SCREW (LONG)  |
| 502542     | FEED BAR HINGE PIN OILING FELT                               | 544053     | FEED DRIVING SHAFT COLLAR SET SCREW (4)  |
| 502544     | FEED BAR HINGE PIN THRUST WASHER (2)                         | 544291     | FEED BAR LIFTING LINK HINGE PIN SCREW  |
| 502545     | FEED BAR LIFTING LINK  | 544305     | BED SHAFT BUSHING SET SCREW (3)  |
| 502546     | FEED BAR LIFTING LINK HINGE PIN                              |            |  |
| 502558     | FEED DRIVING ROCK SHAFT BUSHING (BACK)                       |            |  |
| 502560-002 | FEED DRIVING ROCK SHAFT OIL WICK                             |            |  |



|            |                                      |
|------------|--------------------------------------|
| 500245-850 | BED SHAFT GEAR BOX COVER DRAIN SCREW |
| 500250     | MACHINE LEG SCREW (2)                |
| 502521     | BED SHAFT GEAR BOX COVER GASKET      |
| 502543     | FEED BAR HINGE PIN OILING FELT CLAMP |
| 502573     | HOOK SHAFT GEAR BOX COVER            |
| 502574     | HOOK SHAFT GEAR BOX COVER GASKET     |
| 502593     | MACHINE LEG                          |
| 502806     | ARM COVER (BACK)                     |
| 502832     | FEED REGULATING SHAFT PLUG           |
| 502833     | ARM COVER (BACK) GASKET              |

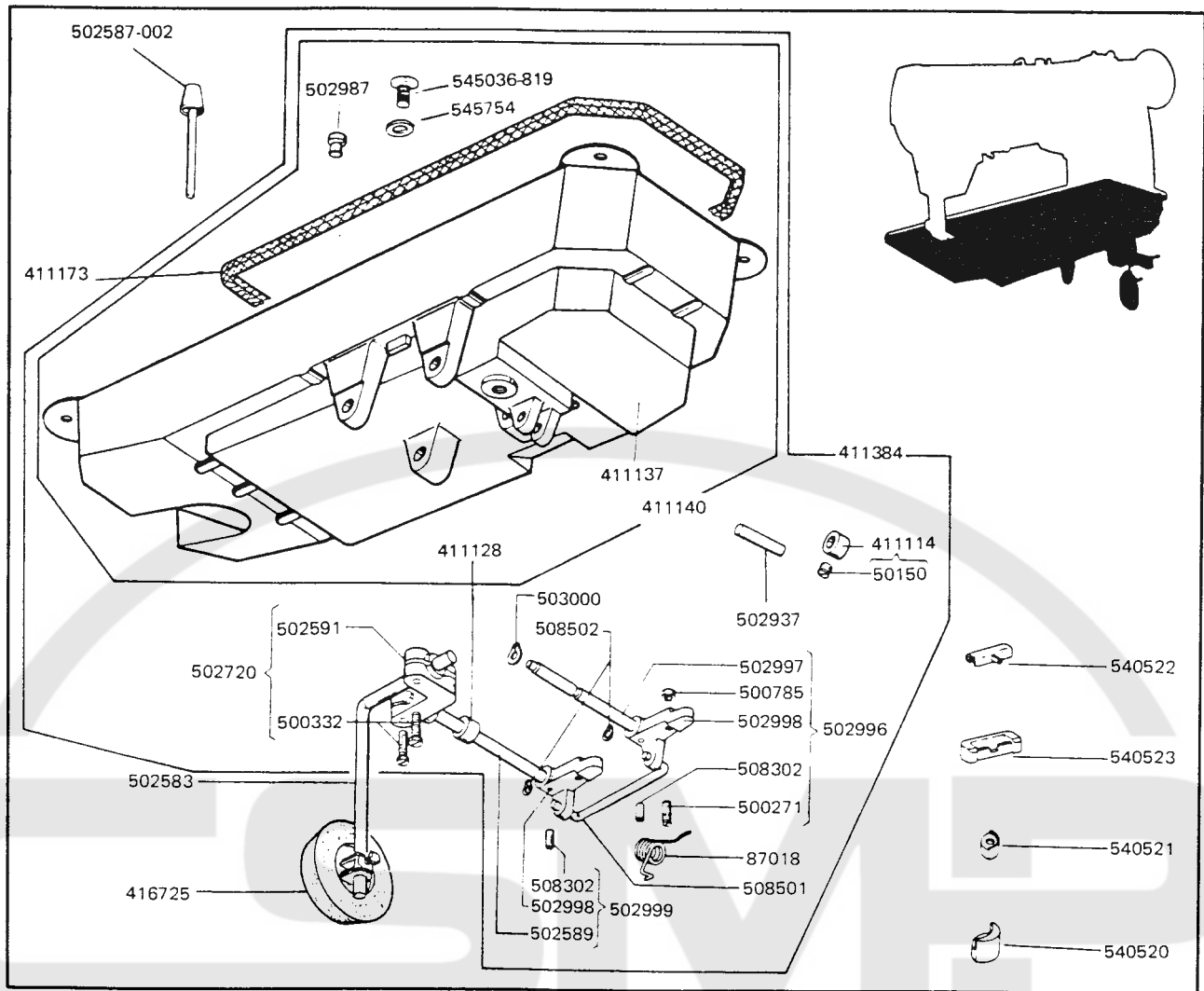
|            |  |
|------------|--|
| 502881     | BED SHAFT GEAR BOX COVER                             |
| 502884     | BED PLUG (FRONT AND REAR SIDE) (2)                   |
| 502885     | BED PLUG (BACK) (2)                                  |
| 502925     | BED PLUG SCREW                                       |
| 502986     | NEEDLE VIBRATING ADJUSTING CRANK SHAFT HOLE PLUG (2) |
| 543833-001 | ARM COVER (BACK) SCREW GASKET (6)                    |
| 544284     | ARM COVER SCREW (6)                                  |
| 544287     | BED SHAFT GEAR BOX COVER SCREW (6)                   |
| 544287     | HOOK SHAFT GEAR BOX COVER SCREW (4)                  |





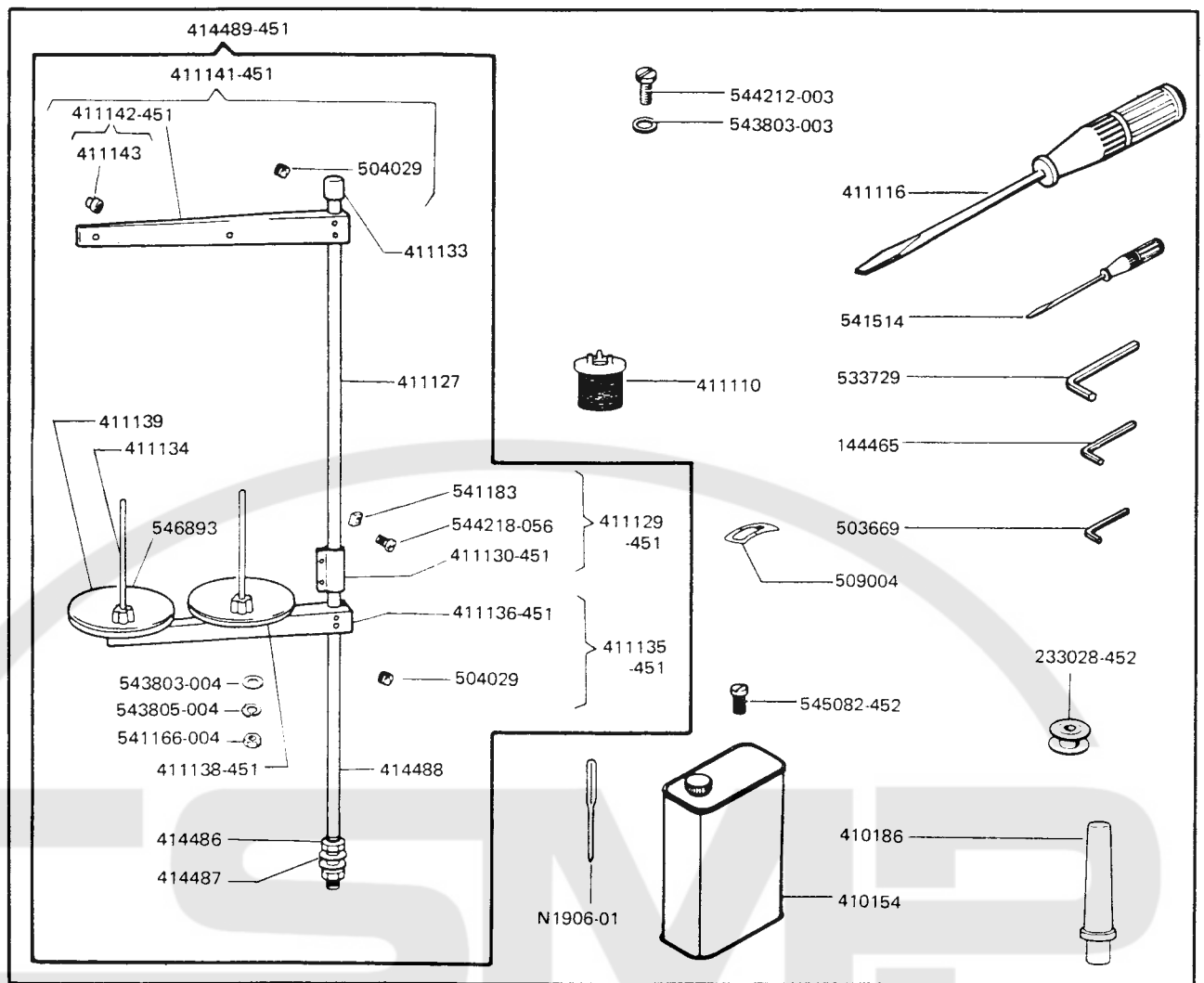
|            |  |
|------------|--|
| 201-850    | OIL SIGHT BODY SCREW (2)   |
| 207-850    | HEAD END OIL DRAIN WICK CLAMP SCREW  |
| 998-833    | OIL RETURN TUBE SCREW  |
| 16380      | OIL REMOVING LINT SCREEN   |
| 117592     | HOOK SHAFT GEAR BOX OIL PIPE CONNECTOR   |
| 411147     | OIL PUMP GEAR WITH TWO 504007  |
| 411207     | OIL PUMP BODY CPL. NOS., 411147, 411208, 411210, 411211, 504010-451, 540556 AND 417875 |
| 411208     | OIL PUMP BODY  |
| 411210     | OIL PUMP SCREW SHAFT   |
| 411211     | OIL REMOVING PUMP PISTON SPRING BRACKET  |
| 411212     | OIL REMOVING TUBE, OIL REMOVING LINT SCREEN CPL. NOS., 16380, 411213 AND 411217        |
| 411213     | OIL REMOVING TUBE  |
| 411217     | OIL REMOVING TUBE WIRE   |
| 411389     | OIL RETURN TUBE LOWER (LONG) CPL. NOS., 502648-002 AND 411390                          |
| 411390     | OIL RETURN TUBE  |
| 417875     | OIL REMOVING PUMP PISTON SPRING  |
| 500104-850 | ARM OIL SHIELD (AERATED PLASTIC) RETAINER SCREW (2)                                    |
| 500115-850 | OIL DISTRIBUTOR PLATE SCREW  |

|            |  |
|------------|--|
| 502505     | HEAD END OIL DRAIN WICK CLAMP (FRONT)              |
| 502575     | HOOK SHAFT GEAR BOX OIL PIPE WITH 117592           |
| 502635-002 | OIL DELIVERY TUBE                                  |
| 502647-002 | OIL RETURN TUBE UPPER (SHORT)                      |
| 502648-002 | OIL RETURN TUBE LOWER (LONG)                       |
| 502650-002 | OIL SIGHT BODY WITH 502651                         |
| 502651     | OIL SIGHT WICK                                     |
| 502752     | BED SHAFT BUSHING (CENTER) OIL HOLE PLUG           |
| 502764     | OIL GUARD  |
| 502834     | ARM OIL SHIELD (AERATED PLASTIC) RETAINER          |
| 502890     | ARM OIL SHIELD (AERATED PLASTIC)                   |
| 504007     | OIL PUMP GEAR SET SCREW (2)                        |
| 504010-451 | OIL REMOVING PUMP PISTON SPRING BRACKET SET SCREW  |
| 508514     | OIL DISTRIBUTOR PLATE                              |
| 508878     | OIL DISTRIBUTOR PLATE FOAM PAD                     |
| 508943     | OIL DISTRIBUTOR PLATE CPL. NOS., 508514 AND 508878 |
| 508950     | HOOK SHAFT GEAR BOX OIL PIPE                       |
| 540556     | OIL REMOVING PUMP PISTON                           |
| 544284     | OIL GUARD SCREW (2)                                |
| 544285     | OIL PUMP MOUNTING SCREW (2)                        |



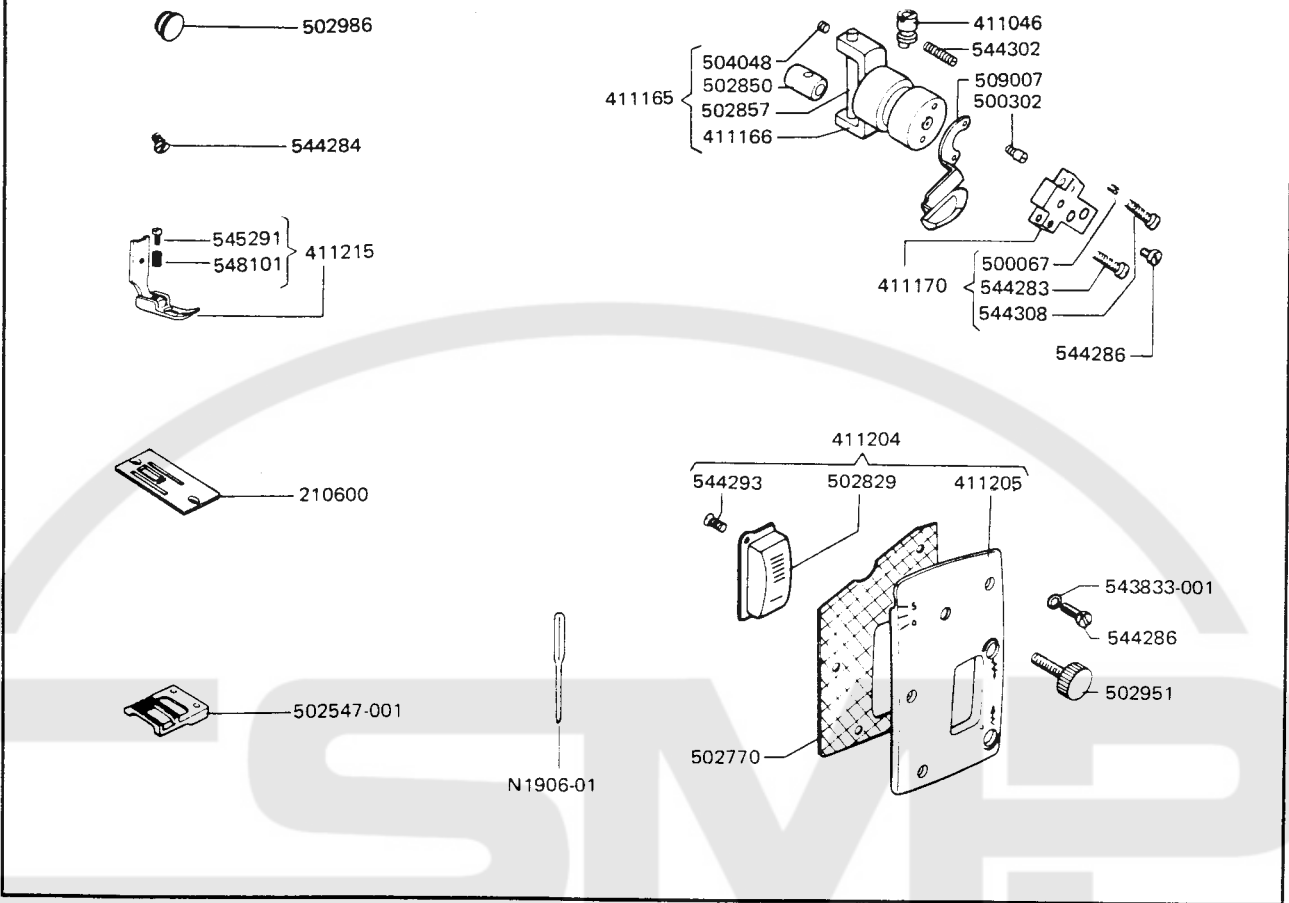
|            |  |
|------------|--|
| 50150-833  | FEED REVERSING FOOT CONTROL LEVER PIN COLLAR SET SCREW   |
| 87018      | KNEE LIFTER RETURNING SPRING   |
| 411114     | FEED REVERSING FOOT CONTROL LEVER PIN COLLAR WITH 50150  |
| 411128     | KNEE LIFTER ROCK SHAFT SPACER  |
| 411137     | MACHINE BASE AND OIL RESERVOIR   |
| 411140     | MACHINE BASE AND OIL RESERVOIR (CPL.) NOS., 411128, 411137, 502987, 545036-819 AND 545754                              |
| 411173     | MACHINE BASE AND OIL RESERVOIR CUSHION   |
| 411384     | OIL RESERVOIR AND KNEE LIFTER ASS'Y NOS., 87018, 411114, 411140, 502720, 502937, 502996, 503000, 508501 AND TWO 508502 |
| 416725     | KNEE LIFTER KNEE PLATE CPL.  |
| 500271-833 | KNEE LIFTER CONTROL SHAFT CRANK STOP SCREW   |
| 500332-850 | KNEE LIFTER ROCK SHAFT HUB PINCH SCREW (2)   |
| 500785-850 | KNEE LIFTER CONTROL SHAFT CRANK STOP SCREW NUT   |
| 502583     | KNEE LIFTER KNEE PLATE ARM   |
| 502587-002 | KNEE LIFTER PLUNGER  |
| 502589     | KNEE LIFTER ROCK SHAFT   |
| 502591     | KNEE LIFTER ROCK SHAFT HUB   |
| 502720     | KNEE LIFTER ROCK SHAFT HUB WITH TWO 500332   |
| 502937     | FEED REVERSING FOOT CONTROL LEVER PIN  |

|            |  |
|------------|--|
| 502997     | FEED REVERSING PLUNGER HOLE PLUG   |
| 502996     | KNEE LIFTER CONTROL SHAFT CPL. NOS., 500271, 500785, 502997, 502998 AND 508302 |
| 502997     | KNEE LIFTER CONTROL SHAFT  |
| 502998     | KNEE LIFTER CONTROL SHAFT CRANK  |
| 502998     | KNEE LIFTER ROCK SHAFT CRANK   |
| 502999     | KNEE LIFTER ROCK SHAFT CPL. NOS., 502589, 502998 AND 508302                    |
| 503000     | KNEE LIFTER CONTROL SHAFT GRIP RING  |
| 508302     | KNEE LIFTER CONTROL SHAFT CRANK PIN  |
| 508302     | KNEE LIFTER ROCK SHAFT CRANK PIN   |
| 508501     | KNEE LIFTER ROCK SHAFT CONNECTION  |
| 508502     | KNEE LIFTER ROCK SHAFT CONNECTION GRIP RING (2)                                |
| 540520     | MACHINE BASE AND OIL RESERVOIR CUSHION (FRONT) WITH TWO WIRE NAIL (2)          |
| 540521     | MACHINE BASE AND OIL RESERVOIR CUSHION (BACK) WITH TWO WIRE NAIL (2)           |
| 540522     | MACHINE HINGE (2)  |
| 540523     | MACHINE HINGE CONNECTION CUSHION (2)   |
| 545036-819 | MACHINE BASE AND OIL RESERVOIR DRAIN PLUG SCREW                                |
| 545754     | MACHINE BASE AND OIL RESERVOIR DRAIN PLUG SCREW GASKET                         |



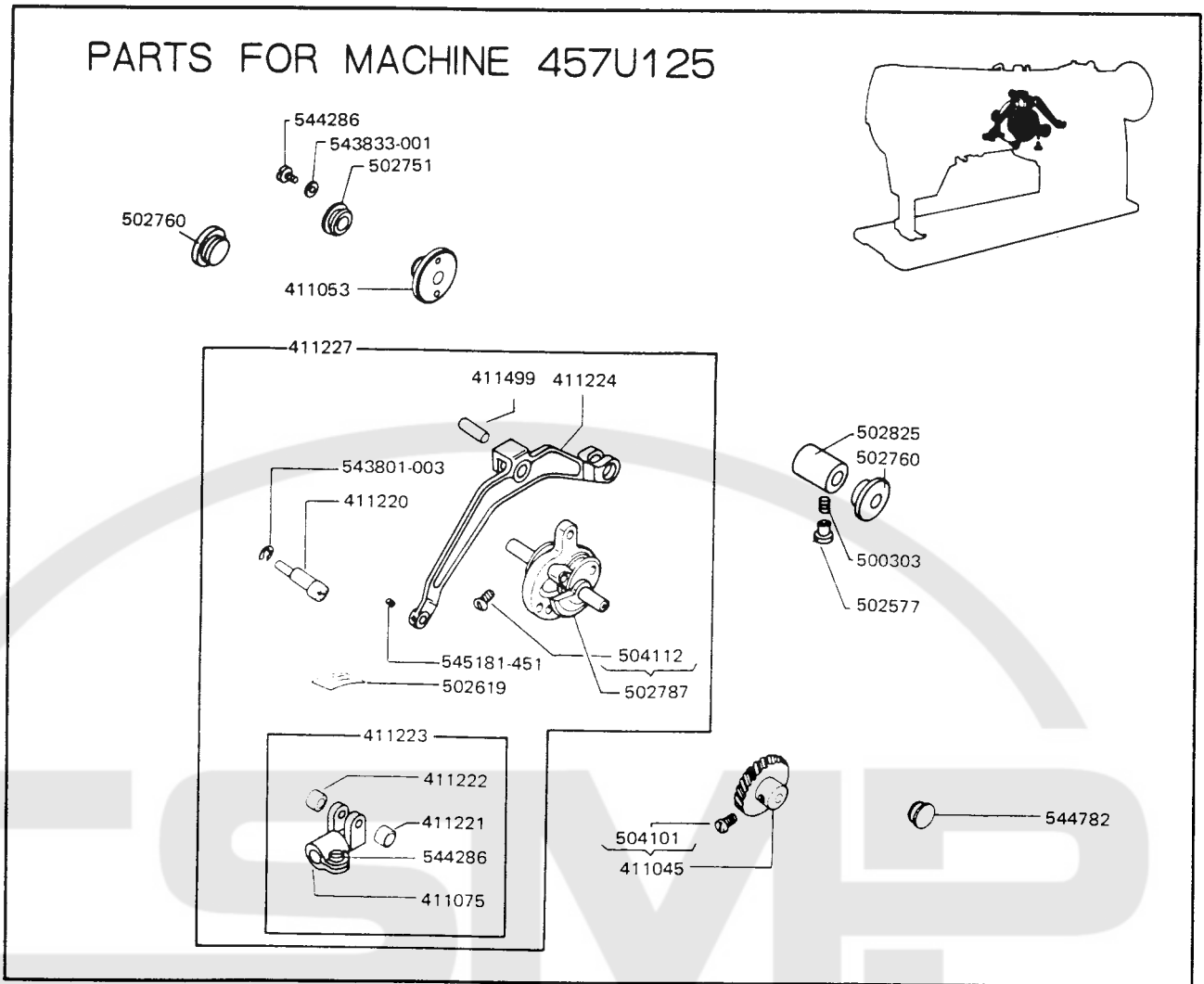
|            |  |            |  |
|------------|--|------------|--|
| * N1906-01 | NEEDLE (CAT. NO. 1906-01, #14) (5)   | 414487     | THREAD UNWINDER ROD LOCK NUT WASHER (2)  |
| 144465     | WRENCH (1/8 INCH HEXAGON)  | 414488     | THREAD UNWINDER ROD  |
| 233028-452 | BOBBIN (2)   | 414489-451 | THREAD UNWINDER (2-SPOOLS) CPL. NOS., 411127, 411129-451, 411133, 411135-451, 411141-451, 414488, TWO EACH 411134, 411138-451, 411139, 541166-004, 543803-004, 543805-004 AND 546893 |
| 410154     | OIL CAN (750CC, FILLED WITH SINGER TYPE "C" OIL)                                     | 503669     | WRENCH (5/64 INCH HEXAGON)   |
| 410186     | MACHINE REST PIN   | 504029     | THREAD UNWINDER SPOOL CARRIER ARM SET SCREW (2)  |
| 411110     | OIL FILTER   | 504029     | THREAD UNWINDER THREAD GUIDE SET SCREW (2)   |
| 411116     | SCREW DRIVER (LARGE)   | 509004     | BOBBIN CASE ANTISPILLAGE SPRING  |
| 411127     | THREAD UNWINDER ROD  | 533729     | WRENCH (3mm HEXAGON)   |
| 411129-451 | THREAD UNWINDER ROD CONNECTION CPL. NOS., 411130-451, TWO EACH 541183 AND 544218-056 | 541166-004 | THREAD UNWINDER SPOOL LOCK NUT (2)   |
| 411130-451 | THREAD UNWINDER ROD CONNECTION   | 541183     | THREAD UNWINDER ROD CONNECTION SCREW NUT (2)   |
| 411133     | THREAD UNWINDER ROD CAP  | 541514     | SCREW DRIVER (SMALL)   |
| 411134     | THREAD UNWINDER SPOOL (2)  | 543803-003 | MACHINE GROUNDING WIRE SCREW WASHER  |
| 411135-451 | THREAD UNWINDER SPOOL CARRIER ARM CPL. NOS., 411136-451 AND TWO 504029               | 543803-004 | THREAD UNWINDER SPOOL LOCK NUT WASHER (2)  |
| 411136-451 | THREAD UNWINDER SPOOL CARRIER ARM  | 543805-004 | THREAD UNWINDER SPOOL LOCK NUT SPRING WASHER (2)   |
| 411138-451 | THREAD UNWINDER SPOOL CARRIER PLATE (2)  | 544212-003 | MACHINE GROUNDING WIRE SCREW   |
| 411139     | THREAD UNWINDER SPOOL CARRIER PLATE CUSHION (2)                                      | 544218-056 | THREAD UNWINDER ROD CONNECTION SCREW (2)   |
| 411141-451 | THREAD UNWINDER THREAD GUIDE CPL. NOS., 411142-451 AND TWO 504029                    | 545082-452 | ATTACHMENT SCREW   |
| 411142-451 | THREAD UNWINDER THREAD GUIDE WITH TWO 411143   | 546893     | THREAD UNWINDER SPOOL HOLDER (2)   |
| 411143     | THREAD UNWINDER THREAD GUIDE EYELET (2)  |            |  |
| 414486     | THREAD UNWINDER ROD LOCK NUT (2)   |            |  |

# PARTS FOR MACHINE 457U125



|               |  |               |   |
|---------------|--|---------------|---|
| ** N1906-01   | NEEDLE (CAT. NO. 1906-01, =12)   | 502829        | STITCH LENGTH INDICATOR PLATE                                 |
| ** N1906-01   | NEEDLE (CAT. NO. 1906-01, =12) (5) (FOR ACCESSORIES)   | 502850        | NEEDLE BAR YOKE CONNECTING LINK SLIDE BEARING                 |
| ** 210600     | THROAT PLATE   | 502857        | NEEDLE BAR YOKE CONNECTING LINK SLIDE STUD                    |
| 411046        | NEEDLE POSITION ADJUSTING CAM REGULATING STUD  | ** 502951-850 | NEEDLE POSITION ADJUSTING CAM SET SCREW                       |
| ** 411165     | NEEDLE BAR YOKE CONNECTING LINK CARRIER FRAME AND BLOCK CPL. NOS., 411166, 502850, 502857 AND TWO 504048 | ** 502986     | NEEDLE VIBRATING ADJUSTING CRANK SHAFT HOLE PLUG (2)          |
| ** 411166     | NEEDLE BAR YOKE CONNECTING LINK CARRIER FRAME  | 504048        | NEEDLE BAR YOKE CONNECTING LINK SLIDE STUD SET SCREW (2)      |
| ** 411170     | NEEDLE POSITION ADJUSTING CAM SLIDE BLOCK BRACKET CPL. NOS., 544283, 544308 AND TWO 500067-833           | 509007        | NEEDLE POSITION ADJUSTING LEVER                               |
| ** 411204     | ARM COVER (FRONT) CPL. NOS., 411205, 502829 AND TWO 544293   | 543833-001    | ARM COVER (FRONT) SCREW GASKET RING (3)                       |
| ** 411205     | ARM COVER (FRONT)  | ** 544283     | NEEDLE POSITION ADJUSTING CAM STOP SCREW (UPPER)              |
| ** 411215     | PRESSER FOOT CPL. NOS., 545291 AND 548101  | 544284        | ARM COVER (FRONT) PLUG SCREW                                  |
| 500067-833    | NEEDLE POSITION ADJUSTING CAM STOP SCREW SET SCREW (2)   | 544286        | NEEDLE POSITION ADJUSTING CAM SLIDING BLOCK BRACKET SCREW (2) |
| 500302-850    | NEEDLE POSITION ADJUSTING ECCENTRIC STOP SCREW (2)   | 544286        | ARM COVER (FRONT) SCREW (3)                                   |
| ** 502547-001 | FEED DOG   | 544293        | STITCH LENGTH INDICATOR PLATE SCREW (2)                       |
| 502770        | ARM COVER (FRONT) GASKET   | 544302        | NEEDLE POSITION ADJUSTING CAM REGULATING STUD SET SCREW       |
|               |  | 544308        | NEEDLE POSITION ADJUSTING CAM STOP SCREW (LOWER)              |
|               |  | ** 545291     | PRESSER FOOT PLATE STOP SCREW                                 |
|               |  | ** 548101     | PRESSER FOOT PLATE STOP SCREW SPRING                          |

# PARTS FOR MACHINE 457U125

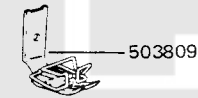
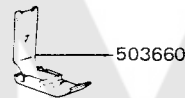
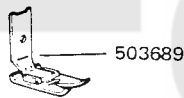
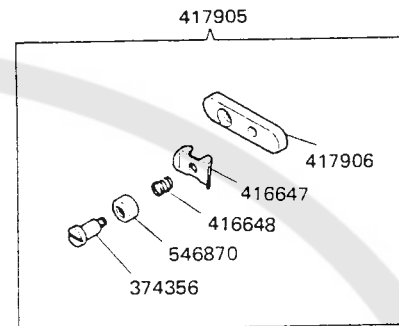
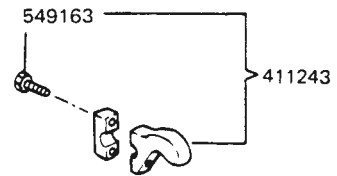
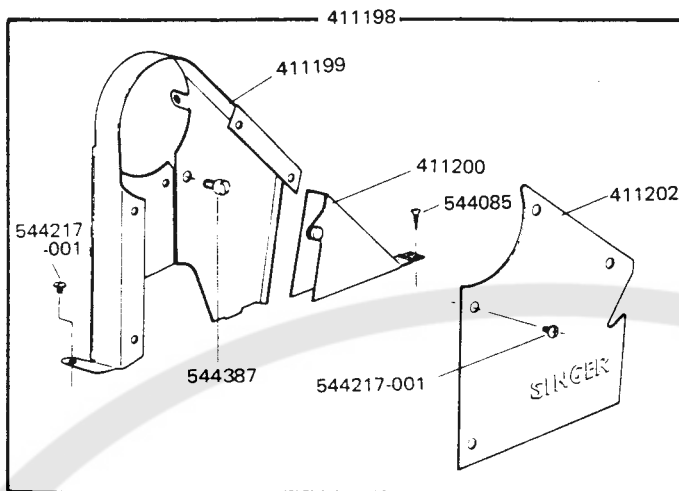


|            |   |               |  |
|------------|---|---------------|--|
| 411045     | NEEDLE VIBRATING ECCENTRIC SHAFT GEAR WITH TWO 504101   | ** 502619     | NEEDLE BAR YOKE CONNECTING LINK HINGE BEARING FELT                   |
| 411053     | NEEDLE VIBRATING ECCENTRIC SHAFT BUSHING (BACK)   | 502751        | NEEDLE VIBRATING CAM SHAFT BUSHING (BACK) PLUG                       |
| 411075     | NEEDLE BAR YOKE CONNECTING HINGE BEARING  | 502760        | ARM HOLE PLUG  |
| ** 411220  | NEEDLE BAR YOKE CONNECTING LINK HINGE STUD (ECCENTRIC)  | 502760        | NEEDLE VIBRATING CAM SHAFT BUSHING (FRONT) PLUG                      |
| ** 411221  | NEEDLE BAR YOKE CONNECTING LINK HINGE BEARING BUSHING (FRONT)   | 502787        | NEEDLE VIBRATING ECCENTRIC SHAFT                                     |
| ** 411222  | NEEDLE BAR YOKE CONNECTING LINK HINGE BEARING BUSHING (BACK)  | 502825        | NEEDLE VIBRATING CAM SHAFT BUSHING (FRONT)                           |
| ** 411223  | NEEDLE BAR YOKE CONNECTING LINK HINGE BEARING CPL. NOS. 411075, 411221, 411222 AND 544286                           | 504101        | NEEDLE VIBRATING ECCENTRIC SHAFT GEAR SET SCREW (2)                  |
| ** 411224  | NEEDLE BAR YOKE CONNECTING LINK   | 504112        | NEEDLE BAR YOKE CONNECTING LINK STUD SCREW                           |
| ** 411227  | NEEDLE BAR YOKE CONNECTING LINK CPL. NOS. 411220, 411223, 411224, 502619, 502787, 411499, 543801-003 AND 545181-451 | ** 543801-003 | NEEDLE BAR YOKE CONNECTING LINK HINGE STUD SNAP RING                 |
| 411499     | NEEDLE BAR YOKE CONNECTING LINK STUD  | 543833-001    | NEEDLE VIBRATING ECCENTRIC SHAFT BUSHING (BACK) SCREW GASKET (2)     |
| 500303-869 | NEEDLE VIBRATING CAM SHAFT BUSHING (FRONT) SET SCREW  | 544286        | NEEDLE BAR YOKE CONNECTING LINK HINGE BEARING PINCH SCREW            |
| 502577     | NEEDLE VIBRATING CAM SHAFT BUSHING (FRONT) SET SCREW PLUG   | 544286        | NEEDLE VIBRATING ECCENTRIC SHAFT BUSHING (BACK) SCREW (2)            |
|            |   | 544782        | NEEDLE POSITION FINE ADJUSTMENT HOLE PLUG                            |
|            |   | ** 545181-451 | NEEDLE BAR YOKE CONNECTING LINK HINGE BEARING STUD (ECCENTRIC) SCREW |

# NUMERICAL PART NUMBER FOR 457U105/125

| PART NO.   | PAGE           | PART NO. | PAGE  | PART NO.   | PAGE  | PART NO.   | PAGE      |
|------------|----------------|----------|-------|------------|-------|------------|-----------|
| 86-850     | 4              | 411009   | 2     | 411118     | 13    | 414486     | 17        |
| 129-850    | 7              | 411010   | 2     | 411120     | 3     | 414487     | 17        |
| 190-850    | 10             | 411014   | 1     | 411122     | 11    | 414488     | 17        |
| 201-850    | 15             | 411015   | 1     | 411123     | 11    | 414489-451 | 17        |
| 207-850    | 15             | 411016   | 1     | 411124     | 6     | 416647     | 20        |
| 223        | 4              | 411017   | 9     | 411127     | 17    | 416648     | 20        |
| 237-833    | 1              | 411018   | 9     | 411128     | 16    | 416725     | 16        |
| 238        | 4              | 411019   | 9     | 411129-451 | 17    | 417663     | 10        |
| 449-833    | 13             | 411020   | 9     | 411130-451 | 17    | 417664     | 10        |
| 460-833    | 9              | 411021   | 9     | 411131     | 4     | 417875     | 15        |
| 998-833    | 15             | 411023   | 3     | 411132     | 4     | 417882     | 8         |
| 1177-850   | 12             | 411024   | 3     | 411133     | 17    | 417893     | 3         |
| 1349-850   | 3              | 411025   | 9     | 411134     | 17    | 417894     | 3         |
| 1454-850   | 1              | 411026   | 9     | 411135-451 | 17    | 417895     | 2         |
| 16380      | 15             | 411028   | 13    | 411136-451 | 17    | 417905     | 20        |
| 50150-833  | 16             | 411030   | 13    | 411137     | 16    | 417906     | 20        |
| 50305-850  | 9              | 411032   | 2     | 411138-451 | 17    | 500067-833 | 6, 18     |
| 50429-833  | 1, 8           | 411035   | 4     | 411139     | 17    | 500104-850 | 15        |
| 50624-833  | 4              | 411037   | 13    | 411140     | 16    | 500115-850 | 2, 15     |
| 51369-850  | 2, 4, 6, 7, 12 | 411039   | 11    | 411141-451 | 17    | 500244     | 2, 4      |
| 51388      | 13             | 411040   | 11    | 411142-451 | 17    | 500245-850 | 14        |
| 87018      | 16             | 411041   | 7     | 411143     | 17    | 500246-850 | 1, 9      |
| 117592     | 15             | 411042   | 7     | 411147     | 15    | 500247-833 | 11        |
| 140930-869 | 13             | 411044   | 7     | 411149     | 7     | 500250     | 14        |
| 141507-803 | 10             | 411045   | 5, 19 | 411150     | 7     | 500256     | 4         |
| 141525-806 | 10             | 411046   | 6, 18 | 411152     | 9     | 500257-850 | 13        |
| 141567-833 | 2              | 411047   | 7     | 411153     | 9     | 500260-833 | 3         |
| 144465     | 17             | 411051   | 6     | 411154     | 9     | 500261-850 | 3         |
| 200592-803 | 10             | 411053   | 5, 19 | 411155     | 9     | 500262-833 | 1         |
| 200964-803 | 10             | 411054   | 3     | 411158     | 9     | 500264-833 | 11        |
| 201016-803 | 10             | 411055   | 3     | 411165     | 18    | 500271-833 | 16        |
| 210505     | 4              | 411056   | 6     | 411166     | 18    | 500272-830 | 2         |
| 210600     | 18             | 411059   | 12    | 411170     | 18    | 500274-833 | 2         |
| 210735     | 10             | 411060   | 12    | 411173     | 16    | 500280-850 | 8         |
| 210736     | 10             | 411061   | 12    | 411178     | 8     | 500302-850 | 6, 18     |
| 210913     | 10             | 411062   | 12    | 411179     | 8     | 500303-869 | 5, 19     |
| 210958     | 9              | 411063   | 12    | 411180     | 3     | 500306-869 | 10        |
| 210993     | 9              | 411065   | 7     | 411183     | 2     | 500307-850 | 2         |
| 214206     | 2              | 411068   | 6     | 411184     | 7     | 500308-833 | 13        |
| 230743     | 1              | 411069   | 6     | 411198     | 20    | 500309-850 | 7         |
| 233028-452 | 10, 17         | 411070   | 6     | 411199     | 20    | 500310-833 | 7         |
| 270086     | 9              | 411071   | 6     | 411200     | 20    | 500312-850 | 3         |
| 270161     | 2              | 411073   | 5     | 411202     | 20    | 500332-850 | 16        |
| 270266     | 2              | 411074   | 5     | 411204     | 18    | 500785-850 | 16        |
| 271808     | 11             | 411075   | 5, 19 | 411205     | 18    | 502505     | 15        |
| 272128     | 1              | 411077   | 7     | 411207     | 15    | 502508     | 2         |
| 272142     | 2              | 411078   | 7     | 411208     | 15    | 502509     | 2         |
| 272143     | 2              | 411082   | 7     | 411210     | 15    | 502510     | 2         |
| 272144     | 13             | 411083   | 2     | 411211     | 15    | 502515     | 13        |
| 272208     | 9              | 411085   | 1     | 411212     | 15    | 502516     | 3, 11, 13 |
| 272219     | 9              | 411086   | 1     | 411213     | 15    | 502517     | 13        |
| 276025     | 4              | 411088   | 1     | 411215     | 18    | 502518-002 | 13        |
| 276027     | 3              | 411089   | 8     | 411217     | 15    | 502521     | 14        |
| 276051     | 1              | 411090   | 8     | 411220     | 19    | 502530     | 10        |
| 276114     | 2              | 411092   | 8     | 411221     | 19    | 502536     | 10        |
| 276508     | 1              | 411093   | 8     | 411222     | 19    | 502541     | 13        |
| 374283     | 2              | 411094   | 8     | 411223     | 19    | 502542     | 13        |
| 374356     | 20             | 411095   | 8     | 411224     | 19    | 502543     | 14        |
| 410154     | 17             | 411097   | 8     | 411227     | 19    | 502544     | 13        |
| 410186     | 17             | 411101   | 8     | 411243     | 20    | 502545     | 13        |
| 411001     | 4              | 411106   | 8     | 411246     | 6     | 502546     | 13        |
| 411002     | 13             | 411107   | 8     | 411384     | 16    | 502547-001 | 18        |
| 411003     | 11             | 411108   | 8     | 411385     | 2     | 502558     | 13        |
| 411004     | 2              | 411110   | 17    | 411389     | 15    | 502560-002 | 13        |
| 411005     | 2              | 411114   | 16    | 411390     | 15    | 502565     | 11        |
| 411007     | 2              | 411116   | 17    | 411499     | 5, 19 | 502566     | 11        |

# 457U OPTIONAL PARTS



374356 NEEDLE THREAD NIPPER HINGE SCREW  
 411198 BELT GUARD CPL. NDS., 411199, 411200, 411202, 544387,  
 TWO 544085 AND EIGHT 544217-001  
 411199 BELT GUARD  
 411200 BELT GUARD (LOWER)  
 411202 BELT GUARD PLATE  
 411243 FOOT CONTROL REVERSE FEED BLOCK WITH 549163  
 416647 NEEDLE THREAD NIPPER THREAD GUIDE  
 416648 NEEDLE THREAD NIPPER SPRING  
 417905 NEEDLE THREAD NIPPER CPL.  
 417906 NEEDLE THREAD NIPPER PLATE

\*\* 503660 PRESSER FOOT  
 \* 503689 PRESSER FOOT  
 \*\* 503809 PRESSER FOOT  
 \* 503822 PRESSER FOOT  
 544085 BELT GUARD (LOWER) SCREW (WOOD) (2)  
 544217-001 BELT GUARD SCREW (SMALL) (4)  
 544217-001 BELT GUARD PLATE SCREW (4)  
 544387 BELT GUARD SCREW (LARGE)  
 546870 NEEDLE THREAD NIPPER SPRING CAP  
 549163 FOOT CONTROL REVERSE FEED BLOCK SCREW

| PART NO.   | PAGE      | PART NO.   | PAGE      | PART NO.   | PAGE             | PART NO.   | PAGE                |
|------------|-----------|------------|-----------|------------|------------------|------------|---------------------|
| 502572     | 11        | 502803     | 7         | 503822     | 20               | 543805-003 | 1                   |
| 502573     | 14        | 502806     | 14        | 504007     | 15               | 543805-004 | 17                  |
| 502574     | 14        | 502818     | 11        | 504010-451 | 15               | 543805-008 | 8                   |
| 502575     | 15        | 502825     | 5, 19     | 504029     | 17               | 543833-001 | 5, 6, 8, 14, 18, 19 |
| 502577     | 5, 11, 19 | 502826     | 13        | 504048     | 6, 13, 18        | 543833-002 | 2, 3                |
| 502581     | 11        | 502829     | 6, 18     | 504066-452 | 12               | 543833-003 | 3                   |
| 502582     | 11        | 502831     | 2         | 504101     | 2, 5, 11, 13, 19 | 543833-004 | 3                   |
| 502583     | 16        | 502832     | 8, 14     | 504102     | 13               | 543871-020 | 8                   |
| 502584     | 4         | 502833     | 14        | 504112     | 5, 19            | 544053     | 13                  |
| 502586     | 3         | 502834     | 15        | 504134     | 11, 13           | 544085     | 20                  |
| 502587-002 | 16        | 502835     | 7         | 504507     | 1                | 544211-051 | 8                   |
| 502589     | 16        | 502837     | 13        | 504509-452 | 3                | 544212-003 | 17                  |
| 502591     | 16        | 502838     | 13        | 507523     | 12               | 544217-001 | 20                  |
| 502593     | 14        | 502839     | 13        | 508302     | 16               | 544218-056 | 17                  |
| 502594     | 4         | 502843     | 12        | 508501     | 16               | 544281     | 8                   |
| 502597     | 4         | 502844     | 12        | 508502     | 16               | 544282     | 7                   |
| 502603     | 2         | 502845     | 12        | 508506     | 4                | 544283     | 7, 18               |
| 502608     | 4         | 502847     | 12        | 508507     | 4                | 544284     | 8, 14, 15, 18       |
| 502611     | 11        | 502849     | 7         | 508514     | 15               | 544285     | 8, 15               |
| 502619     | 19        | 502850     | 6, 12, 18 | 508523     | 12               | 544286     | 5, 6, 12, 18, 19    |
| 502622     | 1         | 502857     | 12, 18    | 508524     | 12               | 544287     | 12, 14              |
| 502635-002 | 15        | 502858     | 12        | 508530     | 10               | 544290     | 2                   |
| 502647-002 | 15        | 502859     | 12        | 508537     | 10               | 544291     | 13                  |
| 502648-002 | 15        | 502860     | 12        | 508553     | 8                | 544292     | 3                   |
| 502650-002 | 15        | 502862     | 12        | 508554     | 8                | 544293     | 6, 18               |
| 502651     | 15        | 502866     | 12        | 508555     | 8                | 544295     | 3                   |
| 502653     | 3         | 502867     | 12        | 508556     | 8                | 544296     | 3                   |
| 502659     | 2         | 502868     | 7         | 508557     | 8                | 544298     | 1                   |
| 502662     | 3         | 502871     | 7         | 508558     | 8                | 544300     | 2                   |
| 502665     | 9         | 502878     | 7         | 508561     | 8                | 544301     | 4                   |
| 502666     | 9         | 502879     | 13        | 508562     | 8                | 544302-850 | 6, 7, 18            |
| 502670     | 1         | 502880     | 13        | 508563     | 8                | 544303     | 9                   |
| 502672     | 4         | 502881     | 14        | 508564     | 8                | 544305     | 11, 13              |
| 502674     | 4         | 502884     | 14        | 508565     | 8                | 544307     | 12                  |
| 502675-002 | 13        | 502885     | 14        | 508585     | 2                | 544308     | 6, 18               |
| 502676     | 11        | 502888     | 13        | 508652     | 4                | 544320     | 11                  |
| 502679     | 3         | 502890     | 15        | 508878     | 15               | 544387     | 20                  |
| 502682     | 2         | 502892     | 13        | 508879-002 | 4                | 544782     | 19                  |
| 502703     | 13        | 502909     | 8         | 508880     | 4                | 545036-819 | 16                  |
| 502704     | 13        | 502922     | 7         | 508883     | 4                | 545082-452 | 1, 17               |
| 502713     | 11        | 502925     | 14        | 508884     | 4                | 545174-452 | 7                   |
| 502717     | 10        | 502927     | 2         | 508914     | 11               | 545181-451 | 19                  |
| 502720     | 16        | 502928     | 11        | 508943     | 15               | 545205-452 | 3                   |
| 502751     | 5, 19     | 502930     | 4         | 508960     | 15               | 545244-452 | 1                   |
| 502752     | 13, 15    | 502931     | 12        | 509004     | 17               | 545249-452 | 2                   |
| 502757     | 5         | 502932     | 12        | 509007     | 6, 18            | 545291     | 18                  |
| 502760     | 5, 19     | 502937     | 16        | 509076     | 9                | 545347-452 | 3                   |
| 502762     | 6         | 502948     | 4         | 509087     | 2                | 545361-452 | 7                   |
| 502763     | 2         | 502949     | 12        | 533729     | 17               | 545425-452 | 11                  |
| 502764     | 15        | 502951-850 | 18        | 540520     | 16               | 545754     | 3, 16               |
| 502768     | 5         | 502979     | 7         | 540521     | 16               | 546870     | 2                   |
| 502770     | 6, 18     | 502986     | 8, 14, 18 | 540522     | 16               | 546893     | 17                  |
| 502775     | 7         | 502987     | 16        | 540523     | 16               | 547412     | 8                   |
| 502776     | 6, 7      | 502993     | 4         | 540556     | 15               | 548101     | 18                  |
| 502781     | 6         | 502996     | 16        | 541166-004 | 17               | 548226     | 6                   |
| 502782     | 7         | 502997     | 16        | 541178     | 1                | 549013     | 11                  |
| 502783     | 7         | 502998     | 16        | 541179     | 8                | 549163     | 20                  |
| 502785     | 5         | 502999     | 16        | 541180     | 7                | 549168     | 7                   |
| 502786     | 3         | 503000     | 16        | 541181     | 9                | 602391     | 17                  |
| 502787     | 5, 19     | 503660     | 20        | 541182     | 9                |            |                     |
| 502788     | 7         | 503669     | 17        | 541183     | 17               |            |                     |
| 502789     | 6         | 503682     | 4         | 541514     | 17               |            |                     |
| 502793     | 6, 7      | 503683     | 4         | 543801-003 | 19               |            |                     |
| 502794     | 6         | 503689     | 20        | 543801-005 | 3, 7, 12         |            |                     |
| 502800     | 6         | 503809     | 20        | 543803-003 | 17               |            |                     |
| 502802     | 5, 6      | 503818     | 4         | 543803-004 | 17               |            |                     |