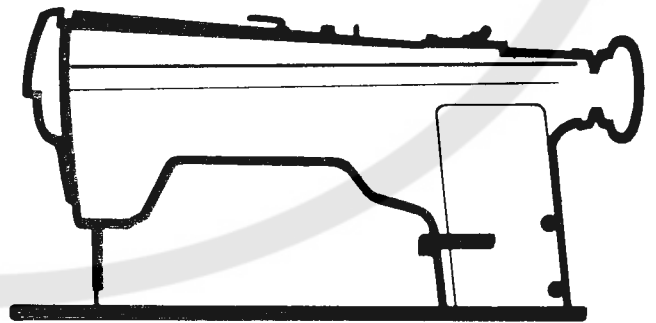
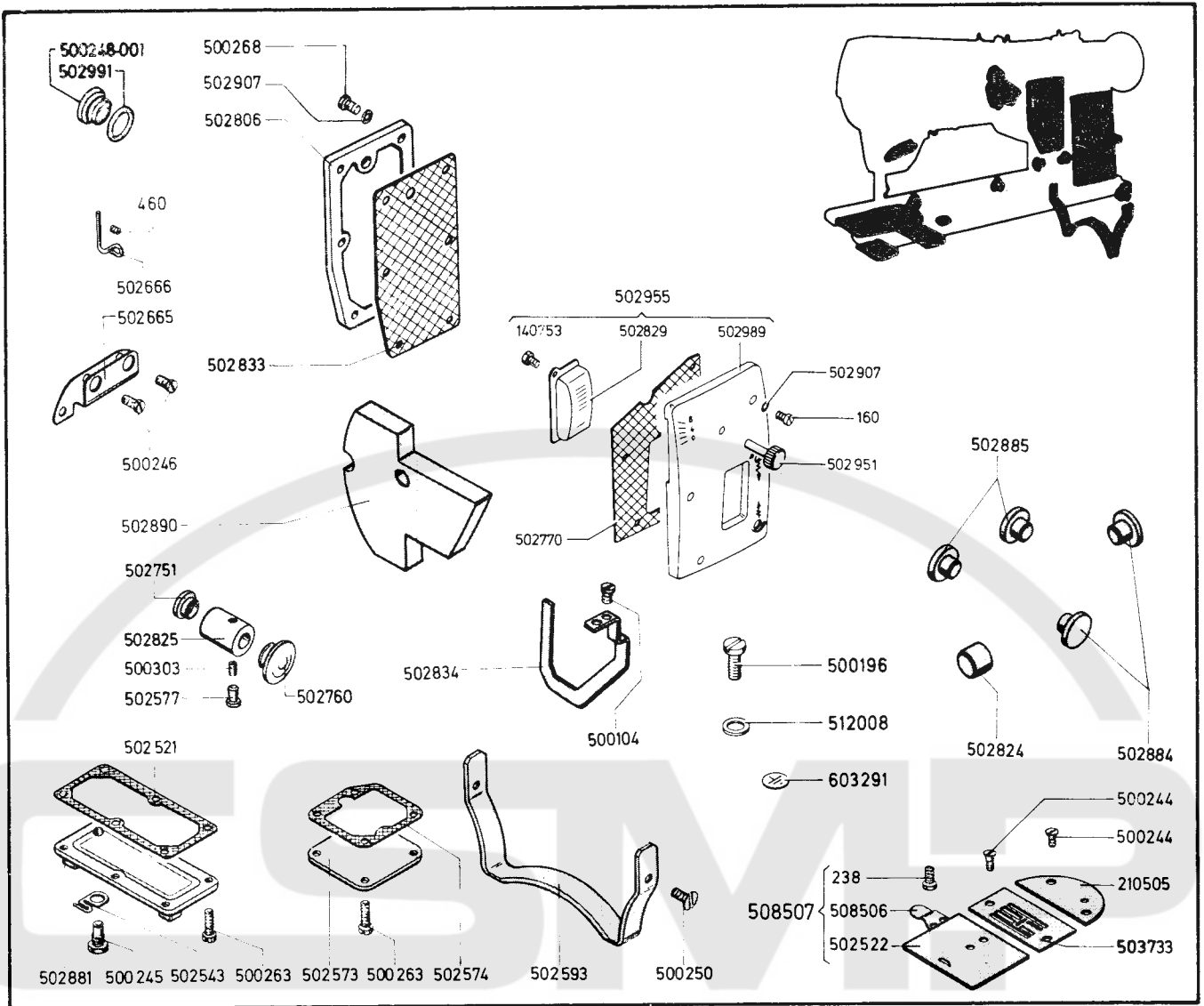


ILLUSTRATED PARTS LIST FOR SINGER - MACHINE



457G 143

457G X7



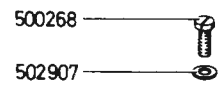
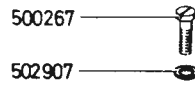
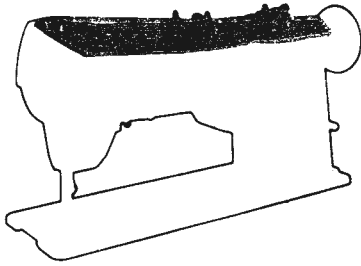
457 G 143 / GX 7 0100 (0271)

000160-850	ARM COVER (FRONT) SCREW (3)
000238-850	BED SLIDE SPRING SCREW (2)
000460-833	THREAD PULL-OFF SET SCREW
140753-850	STITCH LENGTH INDICATOR PLATE SCREW (2)
210505	BED PLATE (BACK)
500104-850	ARM OIL SHIELD (AERETED PLASTIC) RETAINER SCREW (2)
500196-850	MACHINE GROUNDING WIRE SCREW
500244-850	BED PLATE SCREW (BACK) (2)
500244-850	THROAT PLATE SCREW (2)
500244-850	BED SHAFT GEAR BOX OVERFLOW AND DRAIN PLUG SCREW
500245-805	
500246-850	THREAD GUIDE SCREW (2)
500248-001	ARM PLUG SCREW
500250-850	MACHINE LEG SCREW (2)
500263-850	HOOK SHAFT GEAR BOX COVER SCREW (4)
500263-850	BED SHAFT GEAR BOX COVER SCREW (6)
500268-850	ARM COVER (BACK) SCREW (6)
500303-830	NEEDLE VIBRATING CAM SHAFT BUSHING (FRONT) SET SCREW
502521	BED SHAFT GEAR BOX COVER GASKET
502522	BED SLIDE
502543	FEED BAR HINGE PIN OILING FELT CLAMP
502573	HOOK SHAFT GEAR BOX COVER
502574	HOOK SHAFT GEAR BOX COVER GASKET
502577	NEEDLE VIBRATING CAM SHAFT BUSHING (FRONT) SET SCREW PLUG
502593	MACHINE LEG (REAR)

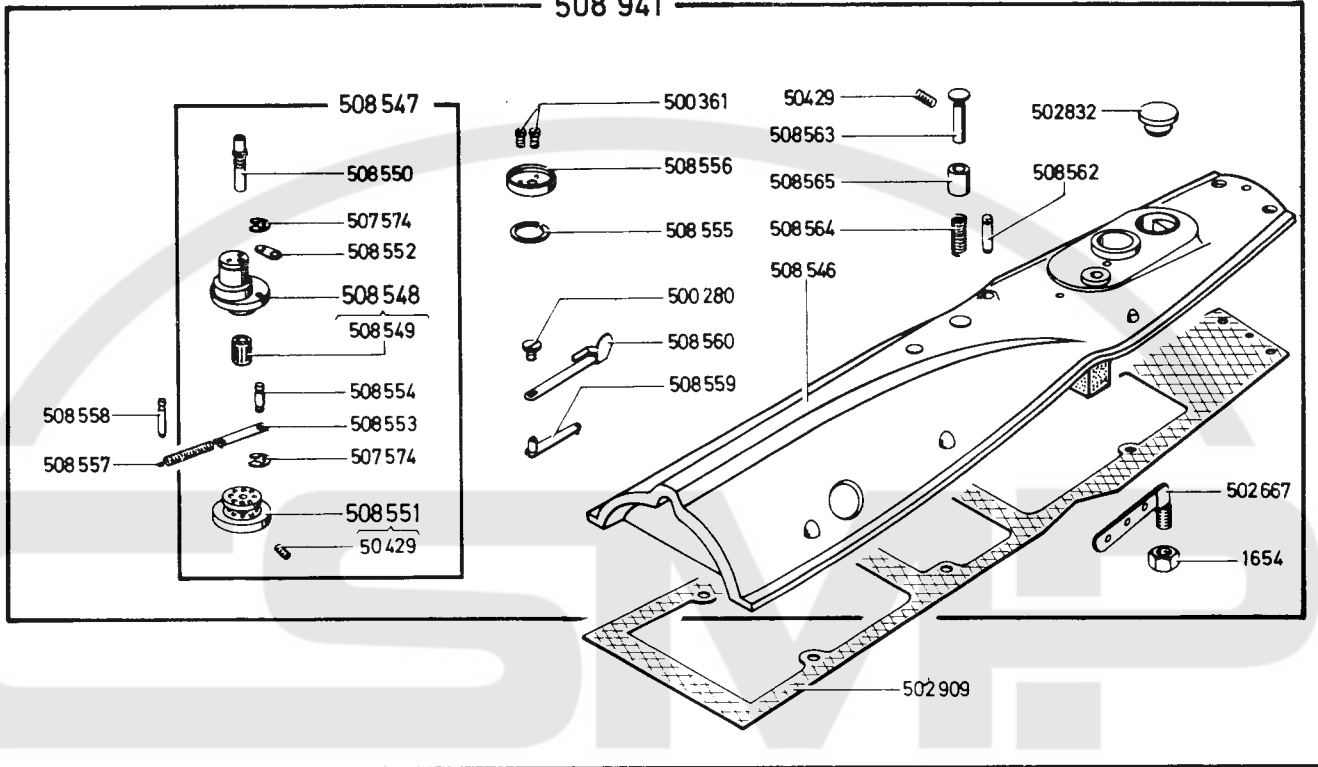
502665	THREAD GUIDE
502666	THREAD PULL-OFF
502751	NEEDLE VIBRATING CAM SHAFT BUSHING (BACK) PLUG
502760	NEEDLE VIBRATING CAM SHAFT BUSHING (FRONT) PLUG
502770	ARM COVER (FRONT) GASKET
502806	ARM COVER (BACK)
502824	HOOK DRIVING SHAFT PLUG
502825	NEEDLE VIBRATING CAM SHAFT BUSHING (FRONT)
502829	STITCH LENGTH INDICATOR PLATE
502833	ARM COVER (BACK) GASKET
502834	ARM OIL SHIELD (AERETED PLASTIC) RETAINER
502881	FEED DRIVING ROCK SHAFT
502884	BED SPACER (FRONT AND REAR SIDE) (2)
502885	BED SPACER (REAR) (2)
502890	ARM OIL SHIELD (AERETED PLASTIC)
502907	ARM COVER (BACK) SCREW GASKET RING (6)
502907	ARM COVER (FRONT) SCREW GASKET RING (3)
502951-850	NEEDLE POSITION ADJUSTING CAM SET SCREW
502989	ARM COVER (FRONT)
502991	ARM PLUG SCREW GASKET RING
503733	THROAT PLATE
508506	BED SLIDE SPRING
508507	BED SLIDE CPL. 502822, 508506 AND TWO 238
512008	MACHINE GROUNDING WIRE LOCK WASHER
603291	MACHINE GROUNDING WIRE SYMBOL

PART NO. DESCRIPTION

PART NO. DESCRIPTION



508 941



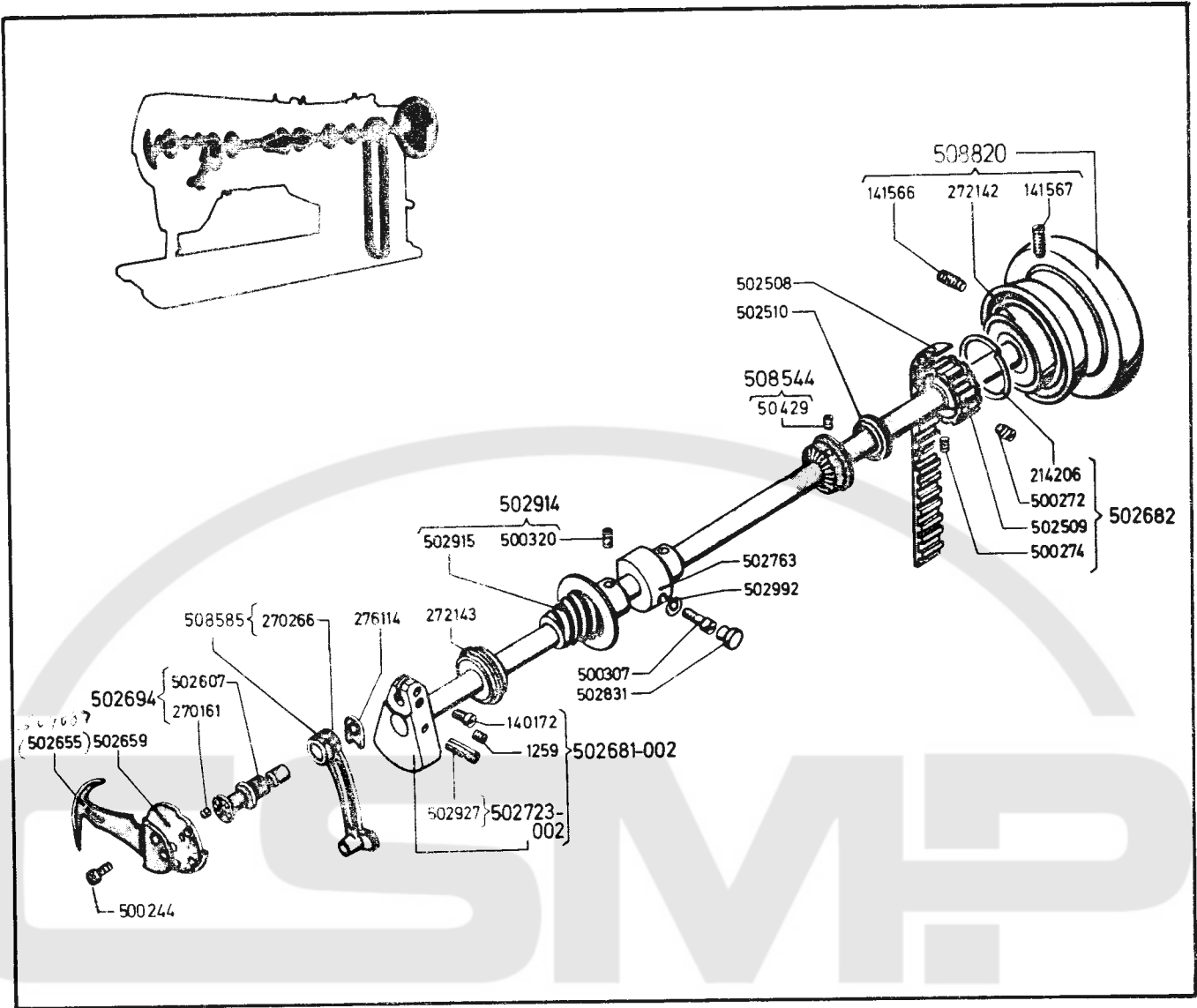
457 G 143 / GX 7 0200 (0271)

001654-850	THREAD RETAINER LOCK NUT
050429-833	BOBBIN WINDER SHAFT FRICTION WHEEL PIN (2)
050429-833	ARM COVER (TOP) THREAD TENSION STUD PIN
500267-850	ARM COVER (TOP) SCREW (LONG) (4)
500268-850	ARM COVER (TOP) SCREW (SHORT) (4)
500280-850	ARM (TOP) TRIP LEVER FASTENING SCREW
500361-850	BOBBIN WINDER SHAFT BUSHING (ECCENTRIC) THREAD
	GUARD FASTENING SCREW (2)
502667	THREAD RETAINER
502832	ARM COVER (TOP) PLUG
502907	ARM COVER (TOP) SCREW (LONG AND SHORT) (8)
502909	ARM COVER (TOP) GASKET
507574	BOBBIN WINDER SHAFT BUSHING (ECCENTRIC) LINK
	STUD LOCKING WASHER (2)
508546	ARM COVER (TOP)
508547	BOBBIN WINDER SHAFT BUSHING (ECCENTRIC) WITH
	FRICTION WHEEL CPL. NOS. 508548, 508550 TO 508554,
	TWO 507574
508548	BOBBIN WINDER SHAFT BUSHING (ECCENTRIC) WITH
	508549
508549	BOBBIN WINDER SHAFT BUSHING (ECCENTRIC) ROLLER
	CLUTCH
508550	BOBBIN WINDER SHAFT
508551	BOBBIN WINDER SHAFT FRICTION WHEEL WITH TWO
	50429

508522	BOBBIN WINDER SHAFT BUSHING (ECCENTRIC)
508553	BOBBIN WINDER SHAFT BUSHING (ECCENTRIC) SPRING
	SHACKLE
508554	BOBBIN WINDER SHAFT BUSHING (ECCENTRIC) LINK
	STUD
508555	BOBBIN WINDER SHAFT BUSHING (ECCENTRIC) SNAP
	RING
508556	BOBBIN WINDER SHAFT BUSHING (ECCENTRIC) THREAD
	GUARD
508557	BOBBIN WINDER SHAFT BUSHING (ECCENTRIC) COIL
	SPRING
508558	BOBBIN WINDER SHAFT BUSHING (ECCENTRIC) COIL
	SPRING STUD
508559	ARM COVER (TOP) ROCKING LEVER
508560	ARM COVER (TOP) TRIP LEVER
508562	ARM COVER (TOP) THREAD GUIDE STUD
508563	ARM COVER (TOP) THREAD TENSION STUD
508564	ARM COVER (TOP) THREAD TENSION STUD SPRING
508565	ARM COVER (TOP) THREAD TENSION STUD DISC
508941	ARM COVER (TOP) WITH BOBBIN WINDER CPL. NOS.
	1654, 50429, 500280, 500361 (2), 502667, 502832,
	508546, 508547, 508555 TO 508565

PART NO. DESCRIPTION

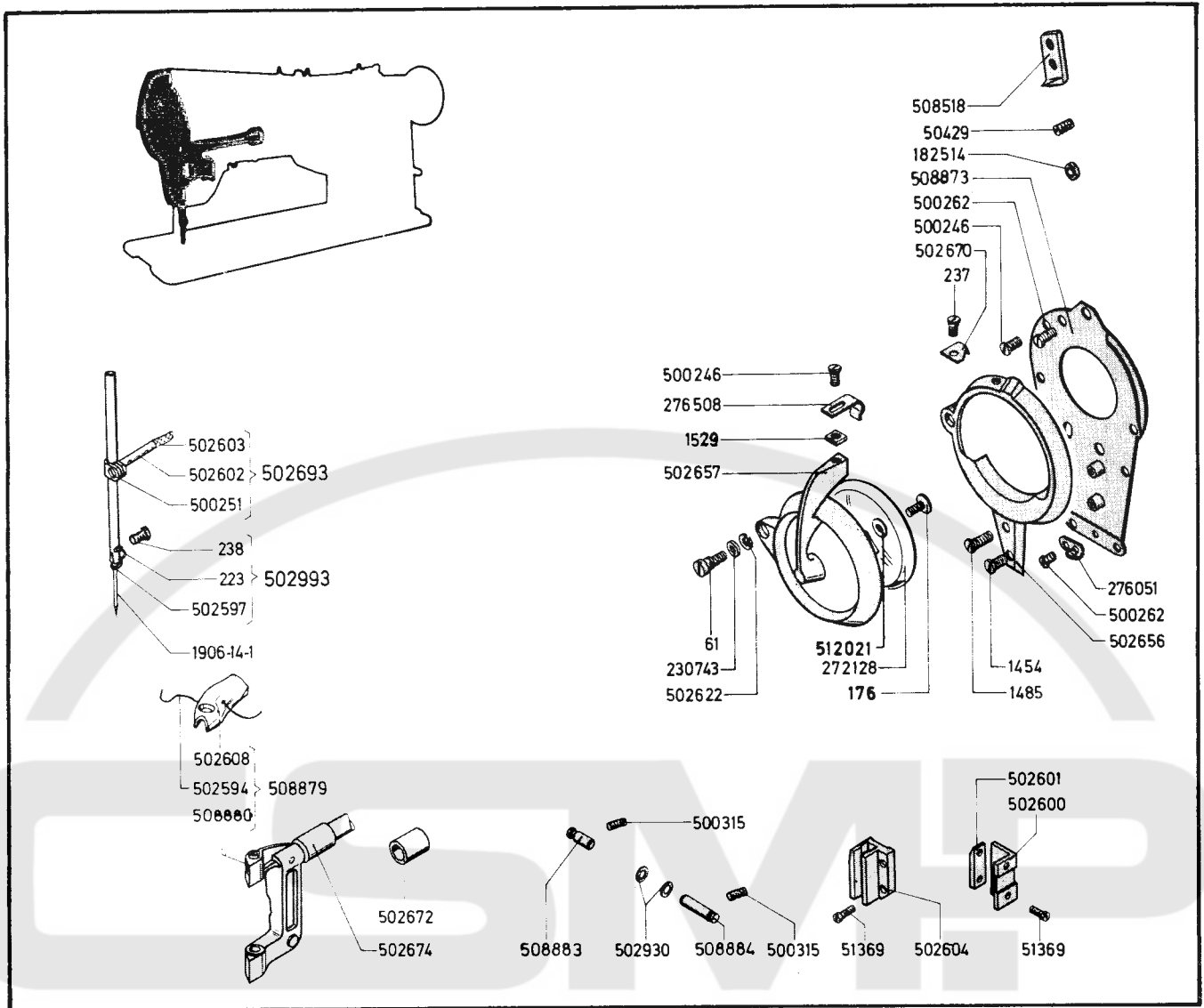
PART NO. DESCRIPTION



457 G 143 / GX 7 0300 (0271)

- 001259-833 NEEDLE BAR CRANK STUD POSITION SCREW
- 050429-833 BOBBIN WINDER DRIVING WHEEL SCREW (2)
- 140172-850 NEEDLE BAR CRANK STUD PINCH SCREW
- 141566-833 MACHINE PULLEY POSITION SCREW
- 141567-833 MACHINE PULLEY SET SCREW
- 214206 ARM SHAFT CONNECTION BELT PULLEY SPRING FLANGE
- 270161 NEEDLE BAR CRANK STUD PIN
- 270266 NEEDLE BAR CONNECTING LINK NEEDLE BEARING
- 272142 MACHINE PULLEY BALL BEARING
- 272143 ARM SHAFT BALL BEARING
- 276114 NEEDLE BAR CONNECTING LINK THRUST WASHER
- 500244-850 ROTARY TAKE-UP SCREW (2)
- 500272-833 ARM SHAFT CONNECTION BELT PULLEY SET SCREW
- 500274-833 ARM SHAFT CONNECTION BELT PULLEY POSITION SCREW
- 500307-850 ARM SHAFT BUSHING (CENTER) SCREW
- 500320-833 ARM HEAD OIL DRAIN WICK SLINGER SET SCREW (2)
- 502508 ARM SHAFT CONNECTION BELT
- 502509 ARM SHAFT CONNECTION BELT PULLEY
- 502510 ARM SHAFT OIL SHIELD
- 502607 NEEDLE BAR CRANK STUD
- 502655 ROTARY TAKE-UP

- 502659 ROTARY TAKE-UP MOUNTING DISC
- 502681-002 ARM SHAFT WITH 1259, 140172 AND 502723-002
- 502682 ARM SHAFT CONNECTION BELT PULLEY CPL. NOS. 214206, 500272, 500274 AND 502509
- 502694 NEEDLE BAR CRANK STUD WITH 270161 AND 502607
- 502723-002 ARM SHAFT CRANK WITH NEEDLE BAR CRANK
- 502763 ARM SHAFT BUSHING (CENTER)
- 502831 ARM SHAFT BUSHING (CENTER) SCREW PLUG
- 502914 ARM HEAD OIL DRAIN WICK SLINGER CPL. 502915 AND TWO 500302
- 502915 ARM HEAD OIL DRAIN WICK SLINGER
- 502927 ARM SHAFT AND NEEDLE BAR CRANK PIN
- 502992 ARM SHAFT BUSHING (CENTER) SCREW GASKET RING
- 508544 BOBBIN WINDER DRIVING WHEEL CPL. TWO 50429
- 508585 NEEDLE BAR CONNECTING LINK WITH 270266
- 508820 MACHINE PULLEY CPL. NOS. 141566, 141567 AND 272142



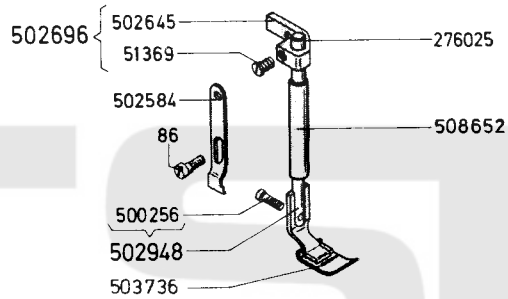
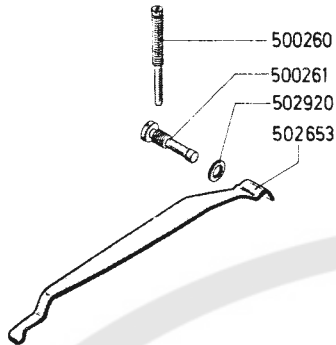
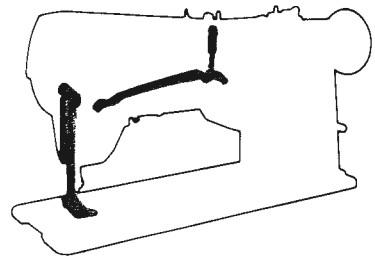
457 G 143 / GX 7 0400 (0271)

000061-850	ROTARY TAKE-UP GUARD HINGE SCREW
000176-850	ATTACHMENT SCREW
000223-850	NEEDLE SET SCREW
000237-833	THREAD CUTTER (ON ROTARY TAKE-UP GUARD) SCREW
000238-850	NEEDLE BAR THREAD GUIDE SET SCREW
001454-850	ROTARY TAKE-UP GUARD SCREW (SHORT)
001485-850	ROTARY TAKE-UP GUARD SCREW (LONG)
001529-850	SPRING CATCH SCREW NUT
001906-14-1	NEEDLE
050429-833	BOBBIN WINDER SHAFT FRICTION WHEEL SCREW
051369-850	NEEDLE BAR CONNECTING STUD GUIDE BLOCK SCREW (2)
051369-850	NEEDLE BAR CONNECTING LINK CLAMPING PLATE SCREW (2)
182514-850	THREAD CUTTER (ONE FACE PLATE) ADJUSTING SCREW NUT
230743	HINGE SCREW THRUST WASHER
272128	ROTARY TAKE-UP GUARD COVER WINDOW
276051	THREAD GUIDE (ON FACE PLATE)
276508	ROTARY TAKE-UP GUARD SPRING CATCH
500246-850	FACE PLATE SCREW (8)
500246-850	ROTARY TAKE-UP GUARD SPRING CATCH SCREW
500251-850	NEEDLE BAR CONNECTING STUD PINCH SCREW
500262-833	THREAD GUIDE (ON FACE PLATE) SCREW
500262-833	THREAD CUTTER (ON FACE PLATE) SCREW
503315-833	NEEDLE BAR YOKE GUIDE SET SCREW (2)
502594	NEEDLE BAR OIL FELT CORD
502597	NEEDLE BAR THREAD GUIDE

502600	NEEDLE BAR CONNECTING LINK GUIDE BLOCK
602601	NEEDLE BAR CONNECTING LINK CLAMP PLATE
502602	NEEDLE BAR CONNECTING STUD
502603	NEEDLE BAR CONNECTING STUD OIL WICK
502604	NEEDLE BAR CONNECTING STUD GUIDE BLOCK
502608	NEEDLE BAR OIL FELT
502622	ROTARY TAKE-UP GUARD HINGE SCREW SPRING WASHER
502656	ROTARY TAKE-UP GUARD
502657	ROTARY TAKE-UP GUARD COVER
502670	THREAD CUTTER (ON ROTARY TAKE-UP GUARD)
502672	NEEDLE BAR YOKE BEARING (BACK)
502674	NEEDLE BAR YOKE BEARING (FRONT)
502693	NEEDLE BAR CONNECTING STUD WITH 500251, 502602 AND 502603
502930	NEEDLE BAR YOKE GUIDE SET SCREW (2)
502993	NEEDLE BAR CPL. NOS. 223, 238 AND 502597
508518	THREAD CUTTER (ON FACE PLATE)
508873	FACE PLATE
508879	NEEDLE BAR YOKE WITH OIL FELT CPL. NOS. 502594, 502608 AND 508880
508880	NEEDLE BAR YOKE
508883	NEEDLE BAR YOKE GUIDE (REAR)
508884	NEEDLE BAR YOKE GUIDE (FRONT)
512021	ROTARY TAKE-UP GUARD COVER WINDOW SCREW
51369	SPRING WASHER

PART NO. DESCRIPTION

PART NO. DESCRIPTION



457 G 143 / GX 7 0500 (0271)

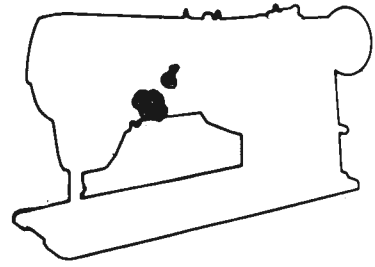
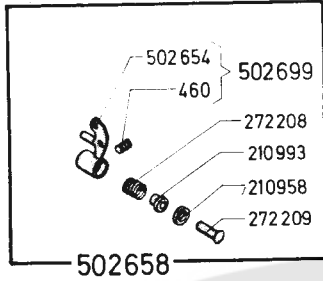
000086-650 KNEE LIFTER LIFTING LINK SCREW
 051369-850 PRESSER BAR POSITION GUIDE PINCH SCREW
 276025 PRESSER BAR BALL
 500256-650 PRESSER FOOT SCREW
 500260-833 PRESSER BAR SPRING SCREW
 500261-650 PRESSER BAR SPRING SCREW STUD
 502584 KNEE LIFTER LIFTING LINK
 502645 PRESSER BAR POSITION GUIDE

502653 PRESSER BAR SPRING
 502696 PRESSER BAR POSITION GUIDE WITH 51369 AND 502645
 502920 PRESSER BAR SPRING SCREW STUD GASKET
 502948 PRESSER BAR WITH PRESSER FOOT SCREW 500256
 503736 PRESSER FOOT (HINGED)
 503823 PRESSER FOOT (FOR COUNTRIES WITH SAFETY REGULATIONS)
 508652 PRESSER BAR BUSHING

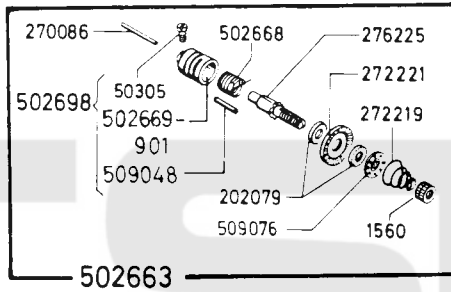
PART NO. DESCRIPTION

PART NO. DESCRIPTION

50429



500265



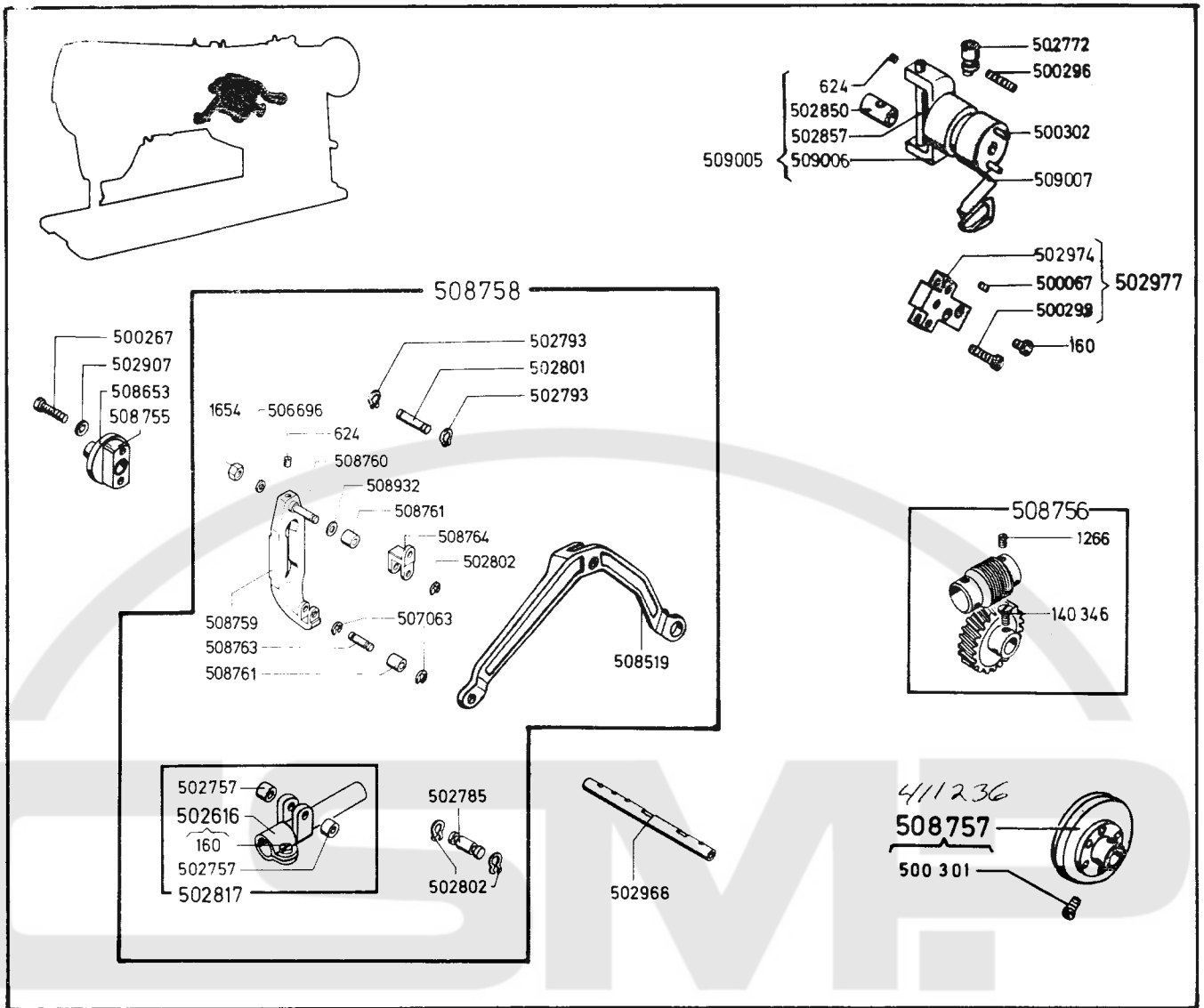
457 G 143 / GX 7 0600 (0271)

000460-833 PRETENSION BRACKET SCREW
 001560-850 TENSION THUMB NUT
 050305-850 TENSION STUD SET SCREW
 050429-833 PRETENSION BRACKET SCREW
 202079 TENSION FELT WASHER (2)
 210958 PRETENSION BRACKET COLLAR
 210993 PRETENSION BRACKET SLEEVE
 270086 TENSION RELEASING PIN
 272208 PRETENSION BRACKET SPRING
 272209 PRETENSION BRACKET STUD
 272219 TENSION SPRING

272221 TENSION WHEEL
 276225 TENSION STUD
 500265-833 THREAD REGULATOR SET SCREW
 502654 PRETENSION BRACKET
 502658 PRETENSION BRACKET CPL.
 502663 TENSION CPL. 1560, 270086, 272219, 272221,
 276225, 502668, 502698, 509076 AND TWO 202079
 502668 THREAD TAKE-UP SPRING
 502669 THREAD TAKE-UP SPRING REGULATOR
 502698 THREAD TAKE-UP SPRING REGULATOR 502669
 WITH 50305
 502699 PRETENSION BRACKET WITH 460 AND 502654
 509048 THREAD TAKE-UP SPRING REGULATOR
 509076 TENSION RELEASING DISC

PART NO. DESCRIPTION

PART NO. DESCRIPTION



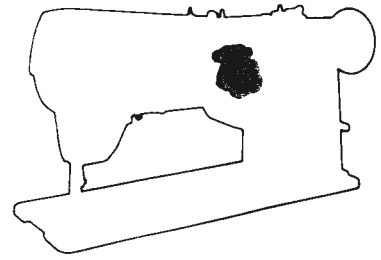
457 G 143 / GX 7 0700 (0271)

000160-850	NEEDLE POSITION ADJUSTING ECCENTRIC SLIDE BLOCK BRACKET SCREW (2)
000160-850	NEEDLE BAR YOKE CONNECTING LINK HINGE BEARING PINCH SCREW
000624-833	NEEDLE BAR YOKE CONNECTING LINK CARRIER FRAME SLIDE STUD SET SCREW (2)
000624-833	FEED BAR HINGE PIN SET SCREW (2)
001266-833	NEEDLE VIBRATING WORM WHEEL SET SCREW (4)
001654-850	NEEDLE VIBRATING CAM ROLLER STUD NUT
140346-833	NEEDLE VIBRATING WORM GEAR SCREW (2)
500067-833	NEEDLE POSITION ADJUSTING CAM STOP SCREW SET SCREW (2)
500267-850	NEEDLE VIBRATING CAM SHAFT BUSHING (BACK) SCREW (2)
500296-833	NEEDLE POSITION ADJUSTING CAM REGULATING STUD SET SCREW
500299-850	NEEDLE POSITION ADJUSTING CAM STOP SCREW (2)
500301-850	NEEDLE VIBRATING CAM SCREW (2)
500302-850	NEEDLE POSITION ADJUSTING ECCENTRIC STOP SCREW (2)
502616	NEEDLE BAR YOKE CONNECTING LINK HINGE BEARING WITH 160
502757	NEEDLE BAR YOKE CONNECTING LINK HINGE BEARING BUSHING (2)
502785	NEEDLE BAR YOKE CONNECTING LINK HINGE BEARING STUD
502793	NEEDLE VIBRATING CAM ROLLER GUIDE COMPENSATING LINK STUD SNAP RING (2)
502801	NEEDLE BAR YOKE CONNECTING LINK HINGE BEARING STUD
502802	NEEDLE BAR YOKE CONNECTING LINK HINGE BEARING STUD SNAP RING (2)
502802	NEEDLE BAR YOKE CONNECTING LINK SNAP RING (2)
502817	NEEDLE BAR YOKE CONNECTING LINK HINGE BEARING WITH 502616 AND TWO 502757

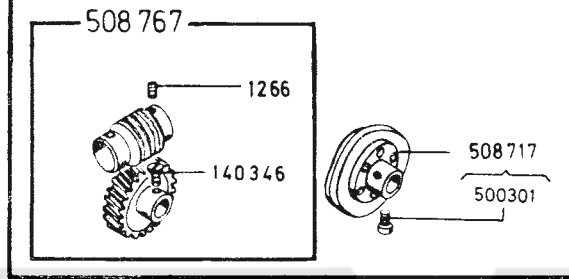
502850	NEEDLE BAR YOKE CONNECTING LINK SLIDE BEARING
502857	NEEDLE BAR YOKE CONNECTING LINK CARRIER FRAME SLIDE STUD
502907	NEEDLE VIBRATING CAM SHAFT BUSHING (BACK) GASKET RING (2)
502974	NEEDLE POSITION ADJUSTING CAM SLIDE BLOCK BRACKET
502977	NEEDLE POSITION ADJUSTING CAM SLIDE BLOCK BRACKET CPL. NOS. 502974
506696	NEEDLE VIBRATING CAM ROLLER STUD WASHER
507063	NEEDLE VIBRATING CAM ROLLER STUD RETAINER
508519	NEEDLE BAR YOKE CONNECTING LINK
508653	NEEDLE VIBRATING CAM SHAFT BUSHING (BACK) WASHER
508755	NEEDLE VIBRATING CAM SHAFT BUSHING (BACK)
508756	PAIR OF NEEDLE VIBRATING WORM GEAR AND NEEDLE VIBRATING WORM WHEEL WITH TWO 140346 AND FOUR 1266
508757	NEEDLE VIBRATING CAM WITH TWO 500301
508758	NEEDLE BAR YOKE CONNECTING LINK CPL. NOS. 624, 1654, 502785, 502801, 502817, 506696, 508759, 508760, 508763, 508764, 508932, TWO EACH 502793, 507063, 508761 AND THREE 502802
508759	NEEDLE VIBRATING CAM ROLLER GUIDE
508760	NEEDLE VIBRATING CAM ROLLER STUD
508761	NEEDLE VIBRATING CAM ROLLER (2)
508763	NEEDLE VIBRATING CAM ROLLER STUD
508764	NEEDLE VIBRATING CAM ROLLER GUIDE COMPENSATING LINK
508932	NEEDLE VIBRATING CAM ROLLER WASHER
509005	NEEDLE BAR YOKE CONNECTING LINK CARRIER FRAME
509006	NEEDLE BAR YOKE CONNECTING LINK CARRIER FRAME
509007	NEEDLE POSITION ADJUSTING LEVER

PART NO. DESCRIPTION

PART NO. DESCRIPTION



PARTS FOR MACHINE 457 GX 7

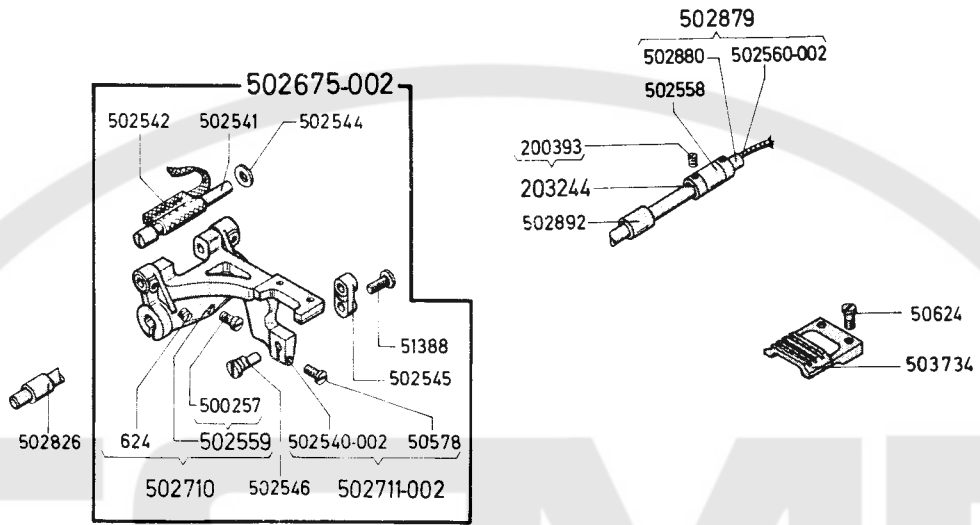
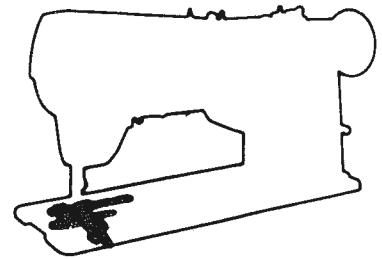


457 GX 7 0800 (0271)

001266-833	NEEDLE VIBRATING WORM WHEEL SET SCREW (4)
140346-850	NEEDLE VIBRATING WORM GEAR SET SCREW (2)
500301-850	NEEDLE VIBRATING CAM SCREW (2)
508717	NEEDLE VIBRATING CAM CPL. TWO EACH (500301)
508767	PAIR OF NEEDLE VIBRATING WORM GEAR AND NEEDLE VIBRATING WORM WHEEL CPL. NOS TWO 140346 AND FOUR 1266

PART NO. DESCRIPTION

PART NO. DESCRIPTION



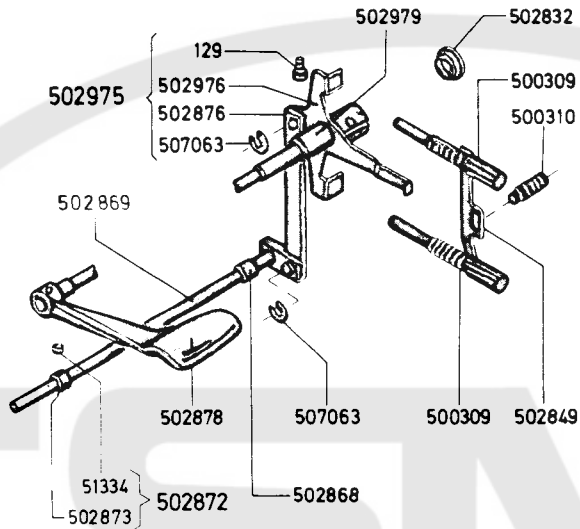
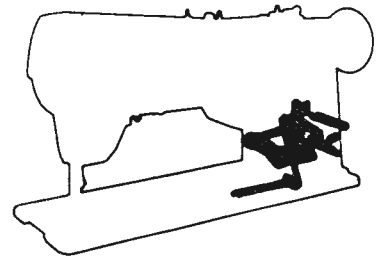
457 G 143 / GX 7 0900 (0271)

000624-333 FEED BAR HINGE PIN SET SCREW (2)
 050578-850 FEED BAR LIFTING LINK HINGE PIN PINCH SCREW
 050624-833 FEED DOG SCREW (2)
 051388-850 FEED BAR LIFTING LINK HINGE PIN CAP SCREW
 200393-833 FEED DRIVING ROCK SHAFT COLLAR SET SCREW
 203244-000 FEED DRIVING ROCK SHAFT COLLAR (2) WITH TWO EACH 200393
 500257-850 FEED DRIVING ROCK SHAFT CRANK PINCH SCREW
 502540-002 FEED BAR
 502541-000 FEED BAR HINGE PIN
 502542-000 FEED BAR HINGE PIN OILING FELT
 502544-000 FEED BAR HINGE THRUST WASHER (2)
 502545-000 FEED BAR LIFTING LINK
 502546-000 FEED BAR LIFTING LINK HINGE PIN
 502558-000 FEED DRIVING ROCK SHAFT BUSHING (BACK)
 502559-000 FEED DRIVING ROCK SHAFT CRANK WITH 500257
 502560-002 FEED DRIVING ROCK SHAFT OIL WICK

502675-002 FEED DRIVING ROCK SHAFT CRANK CPL. NOS. 51388, 502541, 502542, 502544, 502545, 502546, 502710 AND 502711-002
 502710-000 FEED DRIVING ROCK SHAFT CRANK WITH 502559 AND TWO 624
 502711-002 FEED BAR 502540-002 WITH PINCH SCREW 50578
 502826 FEED DRIVING ROCK SHAFT BUSHING (FRONT)
 502879 FEED DRIVING ROCK SHAFT WITH 502560-002 AND 502880
 502880 FEED DRIVING ROCK SHAFT
 502892 FEED DRIVING ROCK SHAFT BUSHING (CENTER)
 503734 FEED DOG

PART NO. DESCRIPTION

PART NO. DESCRIPTION



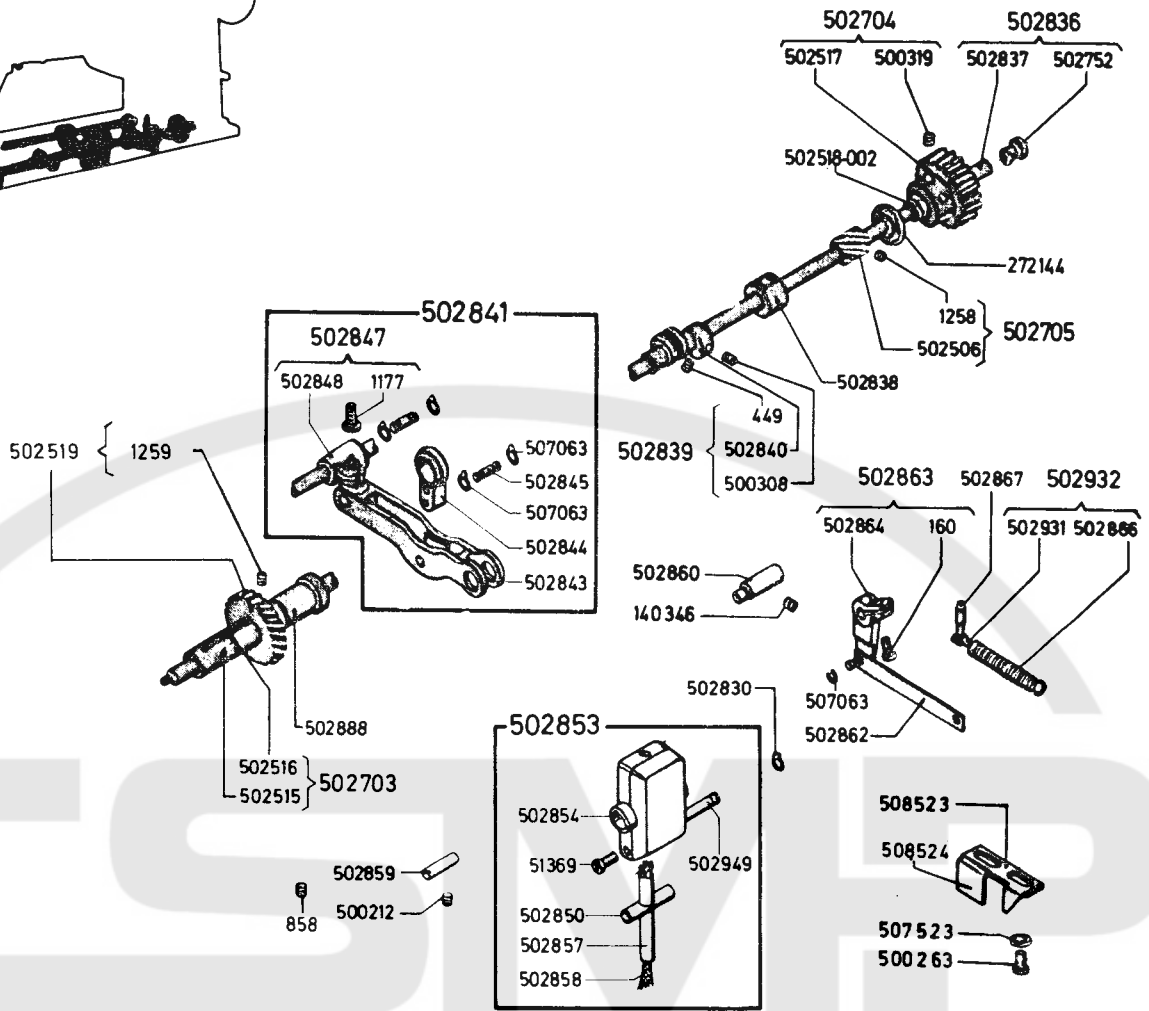
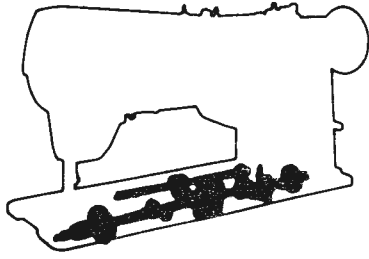
457 G 143 / GX 7 1000 (0271)

000129-850	FEED REGULATING SHAFT INDICATOR LEVER PINCH SCREW
051334-833	FEED REGULATING CONNECTING SHAFT COLLAR SET SCREW (2)
500309-850	FEED REGULATING SHAFT INDICATOR STOP SCREW (2)
500310-833	FEED REGULATING SHAFT INDICATOR STOP SCREW RETAINING SPRING SCREW
502832	FEED REGULATING SHAFT PLUG (FOR UN-USED HOLE)
502849	FEED REGULATING SHAFT INDICATOR STOP
502868	FEED REGULATING CONNECTING SHAFT BUSHING
502869	FEED REGULATING CONNECTING SHAFT
502872	FEED REGULATING CONNECTING SHAFT COLLAR 502873 WITH TWO 51334

502873	FEED REGULATING CONNECTING SHAFT COLLAR
502876	FEED REGULATING SHAFT INDICATOR LEVER CONNECTING LINK
502878	FEED REGULATING SHAFT WITH LEVER
502975	FEED REGULATING SHAFT INDICATOR CPL. NOS. 129, 502876, 502976 AND 507063
502976	FEED REGULATING SHAFT INDICATOR LEVER
502979	FEED REGULATING SHAFT SPACER
507063	FEED REGULATING SHAFT INDICATOR LEVER HINGE STUD RETAINER
507063	FEED REGULATING SHAFT INDICATOR LEVER HINGE STUD RETAINER

PART NO. DESCRIPTION

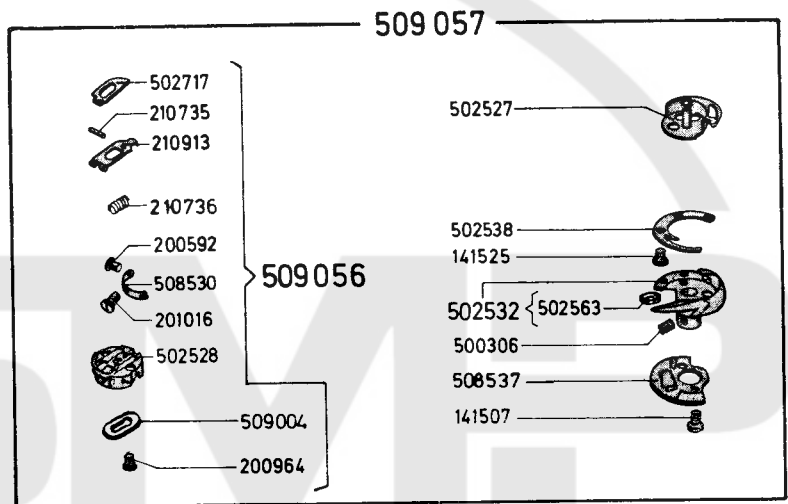
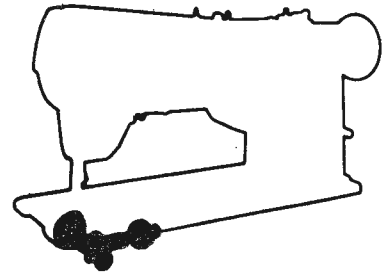
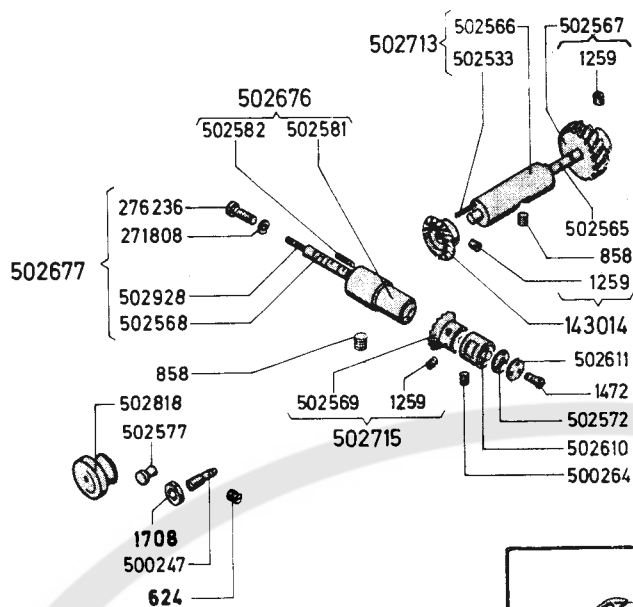
PART NO. DESCRIPTION



000160-850	FEED REGULATING CONNECTING SHAFT CRANK PINCH SCREW
000449-83	FEED DRIVING ECCENTRIC SET SCREW
000858-833	BED SHAFT BUSHING (FRONT, CENTER, BACK) SET SCREW (3)
001177-850	FEED DRIVING CONNECTION CRANK PINCH SCREW
001258-833	OIL PUMP DRIVING GEAR SET SCREW
001259-833	BED SHAFT GEAR SET SCREW (2)
051369-850	FEED DRIVING CONNECTION CARRIER FRAME SLIDE STUD SET SCREW
140346-833	FEED DRIVING CONNECTION CARRIER FRAME BEARING STUD (RIGHT) SET SCREW
272144	BED SHAFT BALL BEARING
500212-833	FEED DRIVING CONNECTION CARRIER FRAME BEARING STUD (LEFT) SET SCREW
500263-850	FEED DRIVING CONNECTION CARRIER FRAME STOP SCREW (2)
500308-833	FEED DRIVING ECCENTRIC POSITION SCREW
500319-850	BED CONNECTION BELT PULLEY SET SCREW (2)
502506	OIL PUMP DRIVING GEAR
502515	BED SHAFT BUSHING (FRONT)
502516	BED SHAFT BUSHING OIL WICK
502517	BED CONNECTION BELT PULLEY
502518-002	BED CONNECTION BELT PULLEY SPACER
502519	BED SHAFT GEAR
502703	BED SHAFT BUSHING (FRONT) 502515 WITH 502516
502704	BED CONNECTION BELT PULLEY WITH 502517 AND TWO 500319
502705	OIL PUMP DRIVING GEAR WITH 502506 AND TWO 1258
502752	BED SHAFT PLUG
502830	FEED DRIVING CONNECTION CARRIER FRAME SPRING STUD GRIP RING
502836	BED SHAFT WITH 502752 AND 502837
502837	BED SHAFT
502838	BED SHAFT BUSHING (BACK)
502839	FEED DRIVING ECCENTRIC WITH 449, 500308, AND 502840
502840	FEED DRIVING ECCENTRIC
502841	FEED DRIVING CONNECTION CPL. NOS. 502843, 502844, 502847, TWO 502845 AND FOUR 507063
502843	FEED DRIVING CONNECTION LEVER
502844	FEED DRIVING CONNECTION LINK

502845	FEED DRIVING CONNECTION LEVER HING PIN (2)
502847	FEED DRIVING CONNECTION CRANK WITH 1177 AND 502848
502848	FEED DRIVING CONNECTION
502850	FEED DRIVING CONNECTION LEVER SLIDE BEARING
502853	FEED DRIVING CONNECTION CARRIER FRAME CPL NOS. 51369, 502850, 502854, 502857, 502858 AND 502949
502854	FEED DRIVING CONNECTION CARRIER FRAME
502857	FEED DRIVING CONNECTION FRAME SLIDE STUD
502858	FEED DRIVING CONNECTION LEVER SLIDE STUD OIL WICK
502859	FEED DRIVING CONNECTION CARRIER FRAME BEARING STUD (LEFT)
502860	FEED DRIVING CONNECTION CARRIER FRAME BEARING STUD (RIGHT)
502862	FEED REGULATING CONNECTION SHAFT CRANK LINK
502863	FEED REGULATING CONNECTION SHAFT CRANK 502864 WITH 160
502864	FEED REGULATING CONNECTION SHAFT CRANK
502866	FEED DRIVING CONNECTION CARRIER FRAME SPRING
502867	FEED DRIVING CONNECTION CARRIER FRAME SPRING STUD
502888	BED SHAFT BUSHING (CENTER)
502931	FEED DRIVING CONNECTION CARRIER FRAME SPRING RETAINER
502932	FEED DRIVING CONNECTION CARRIER FRAME SPRING 502866 WITH 502932
502949	FEED DRIVING CONNECTION CARRIER FRAME SPRING STUD
507063	FEED DRIVING CONNECTION LEVER HINGE PIN RETAINER (4)
507063	FEED REGULATING CONNECTION SHAFT CRANK LINK RETAINER
507523	FEED DRIVING CONNECTION CARRIER FRAME STOP SCREW WASHER (2)
508523	FEED DRIVING CONNECTION CARRIER FRAME STOP (BACK)
508524	FEED DRIVING CONNECTION CARRIER FRAME STOP (FRONT)

457 G 143 / GX 7 1100 (0271)



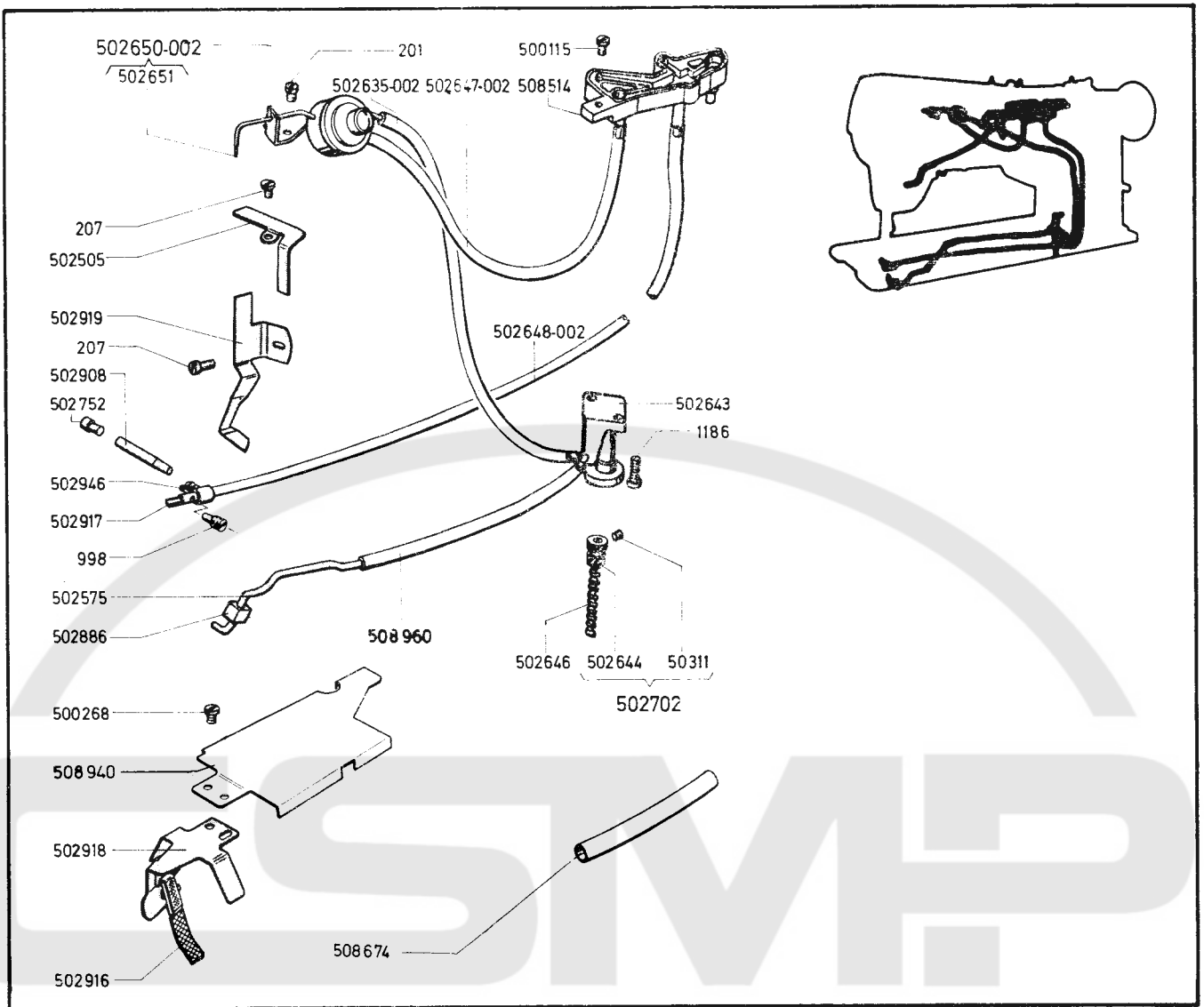
457 G 143 / GX 7 1200 (0271)

000190-850	BOBBIN CASE STOP SCREW
000624-833	HOOK OIL BYPASS PLUG SCREW
000858-833	HOOK DRIVING SHAFT BUSHING SET SCREW
000858-833	HOOK SHAFT PRESSURE BUSHING SET SCREW
001259-833	HOOK DRIVING SHAFT HELICAL GEAR SET SCREW (2)
001259-833	HOOK DRIVING SHAFT BEVEL GEAR SET SCREW (2)
001259-833	HOOK SHAFT BEVEL GEAR SET SCREW (2)
001472-850	HOOK SHAFT BUSHING (FRONT SET SCREW (3)
001708-850	HOOK BYPASS PLUG SET SCREW NUT
141507-850	HOOK NEEDLE GUARD AND COUNTERBALANCE SCREW
141525-850	HOOK GIB SCREW (3)
143014	HOOK DRIVING SHAFT BEVEL GEAR WITH TWO 1259
200592-850	BOBBIN CASE CAP TENSION SPRING SCREW
200964-850	BOBBIN CASE LATCH STOP SCREW
201016-850	BOBBIN CASE CAP TENSION SPRING
210735	BOBBIN CASE LATCH FULCRUM PIN
210736	BOBBIN CASE LATCH SPRING
210913	BOBBIN CASE LATCH
233028	BOBBIN
271808	HOOK SHAFT OIL FILTER WICK HOLDER SEAL
276236	HOOK SHAFT OIL FILTER WICK HOLDER
500247-833	HOOK OIL REGULATING SCREW
500264-830	HOOK SHAFT BUSHING FRONT SET SCREW
500306-869	HOOK SET SCREW (2)
502527	BOBBIN CASE BASE
502528	BOBBIN CASE CAP
502532	HOOK BODY WITH 502563
502533	HOOK DRIVING SHAFT BUSHING OIL WICK
502536	BOBBIN CASE STOP
502538	HOOK GIB

502563	HOOK OIL RETAINING WASHER
502565	HOOK DRIVING SHAFT
502566	HOOK DRIVING SHAFT BUSHING
502567	HOOK DRIVING SHAFT HELICAL GEAR WITH TWO 1259
502568	HOOK SHAFT
502569	HOOK SHAFT BEVEL GEAR
502572	HOOK SHAFT BUSHING CAP GASKET
502577	HOOK SHAFT GEAR BOX PLUG
502581	HOOK SHAFT PRESSURE BUSHING
502582	HOOK SHAFT PRESSURE BUSHING OIL WICK
502610	HOOK SHAFT BUSHING (FRONT)
502611	HOOK SHAFT BUSHING CAP
502676	HOOK SHAFT PRESSURE BUSHING 502581 WITH 502582
502677	HOOK SHAFT WITH OIL FILTER CPL. 271808, 276236, 502568, 502928
502713	HOOK DRIVING SHAFT BUSHING WITH 502533 AND 502566
502715	HOOK SHAFT BEVEL GEAR 502569 WITH TWO 1259
502717	BOBBIN CASE LATCH LEVER
502928	HOOK SHAFT OIL FILTER FELT WICK
508530	BOBBIN CASE TENSION SPRING
508537	HOOK NEEDLE GUARD AND COUNTERBALANCE
509004	BOBBIN CASE ANTI SPILLAGE SPRING
509056	BOBBIN CASE CAP CPL. 200592, 200964, 201016, 210735, 210736, 210913, 502528, 502717, 508530 AND 509004
509057	HOOK AND BOBBIN CASE CPL. NOS. 141507, 141525, 500306, 502527, 502532, 502538, 508537 AND 509056

PART NO. DESCRIPTION

PART NO. DESCRIPTION



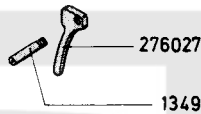
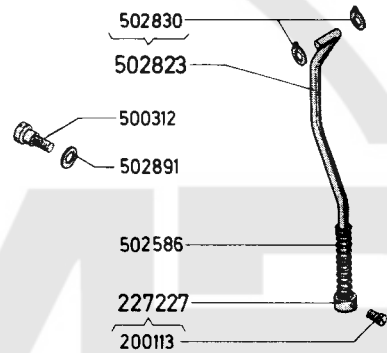
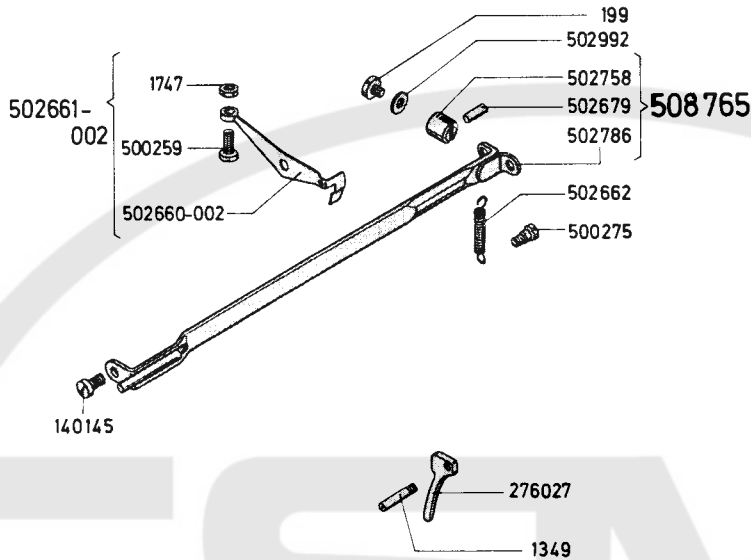
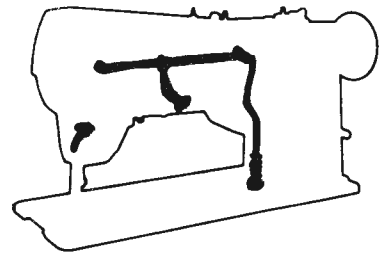
457 G 143/ GX 7 1300 (0271)

000201-850 OIL SIGHT BODY SCREW (2)
 000207-803 ARM HEAD OIL DRAIN WICK CLAMP SCREW (2)
 000998-833 OIL RETURN TUBE SCREW
 001186-850 OIL PUMP MOUNTING SCREW (2)
 050311-833 OIL PUMP GEAR SET SCREW (2)
 500115-850 OIL DISTRIBUTOR PLATE SCREW
 500268-850 OIL GUARD SCREW (2)
 502505 ARM HEAD OIL DRAIN WICK CLAMP (FRONT)
 502575 HOOK SHAFT GEAR BOX OIL PIPE
 502635-002 OIL DELIVERY TUBE
 502643 OIL PUMP BODY
 502644 OIL PUMP GEAR
 502646 OIL PUMP SCREW SHAFT
 502647-002 OIL RETURN TUBE (UPPER) (SHORT)
 502648-002 OIL RETURN TUBE (LOWER) (LONG)
 502650-002 OIL SIGHT BODY WITH 502651
 502651 OIL SIGHT WICK

502702 OIL PUMP GEAR WITH 502644 AND TWO 50311
 502752 BED SHAFT BUSHING (CENTER) OIL TUBE PLUG
 502886 HOOK SHAFT GEAR BOX OIL PIPE HOLDER
 502916 ARM HEAD OIL DRAIN WICK
 502917 OIL RETURN TUBE
 502918 ARM HEAD OIL DRAIN WICK CLAMP (UPPER)
 502919 ARM HEAD OIL DRAIN WICK CLAMP (BACK)
 502946 OIL RETURN TUBE (LOWER) (LONG) CLAMP
 508514 OIL DISTRIBUTOR PLATE
 508640 OIL RETURN TUBE PLUG
 508674 ARM HEAD OIL DRAIN WICK GUARD
 508878 FOAM PAD
 508940 OIL GUARD
 508943 OIL DISTRIBUTOR PLATE CPL. NOS. 508514 AND 508878
 508960 HOOK SHAFT GEAR BOX OIL PIPE

PART NO. DESCRIPTION

PART NO. DESCRIPTION



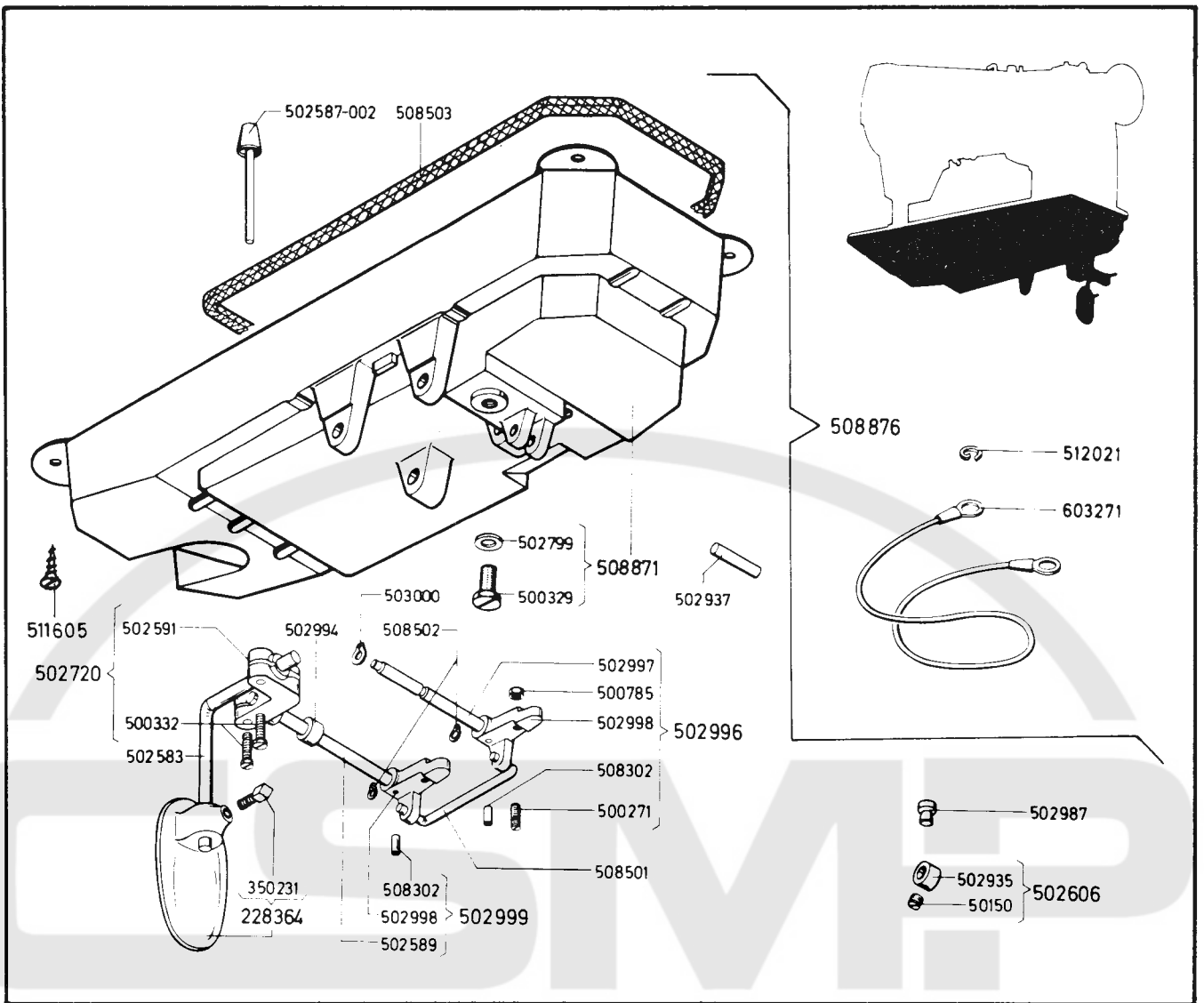
457 G 143/ GX 7 1400 (0271)

000199-850	K KNEE LIFTER ROCK FRAME HINGE STUD LOCK SCREW
001349-850	PRESSER BAR LIFTER HINGE SCREW
001747-850	TENSION RELEASER ADJUSTING SCREW LOCK NUT
140145-850	KNEE LIFTER ROCK FRAME HINGE SCREW
200113-850	KNEE LIFTER LIFTING ROD COLLAR SET SCREW
227227	KNEE LIFTER LIFTING ROD COLLAR WITH 200113
276027	PRESSER BAR LIFTER
500259-850	TENSION RELEASER ADJUSTING SCREW
500275-850	TENSION RELEASER HINGE SCREW
500312-850	SINGER LIGHT STUD HOLE SCREW PLUG (FOR UN-USED HOLE)
502586	KNEE LIFTER LIFTING ROD SPRING

502660-002	TENSION RELEASER
502661-002	TENSION RELEASER CPL. 1747, 500259 AND 502660-002
502662	TENSION RELEASER SPRING
502679	KNEE LIFTER ROCK FRAME HINGE STUD PIN
502758	KNEE LIFTER ROCK FRAME HINGE STUD
502786	KNEE LIFTER ROCK FRAME
502823	KNEE LIFTER LIFTING ROD WITH TWO 502830
502830	KNEE LIFTER LIFTING ROD GRIP RING (2)
502891	SINGER LIGHT STUD HOLE SCREW PLUG GASKET
502992	KNEE LIFTER ROCK FRAME HINGE STUD LOCK SCREW
508765	GASKET RING
	KNEE LIFTER ROCK FRAME WITH 502679, 502758 AND 502786

PART NO. DESCRIPTION

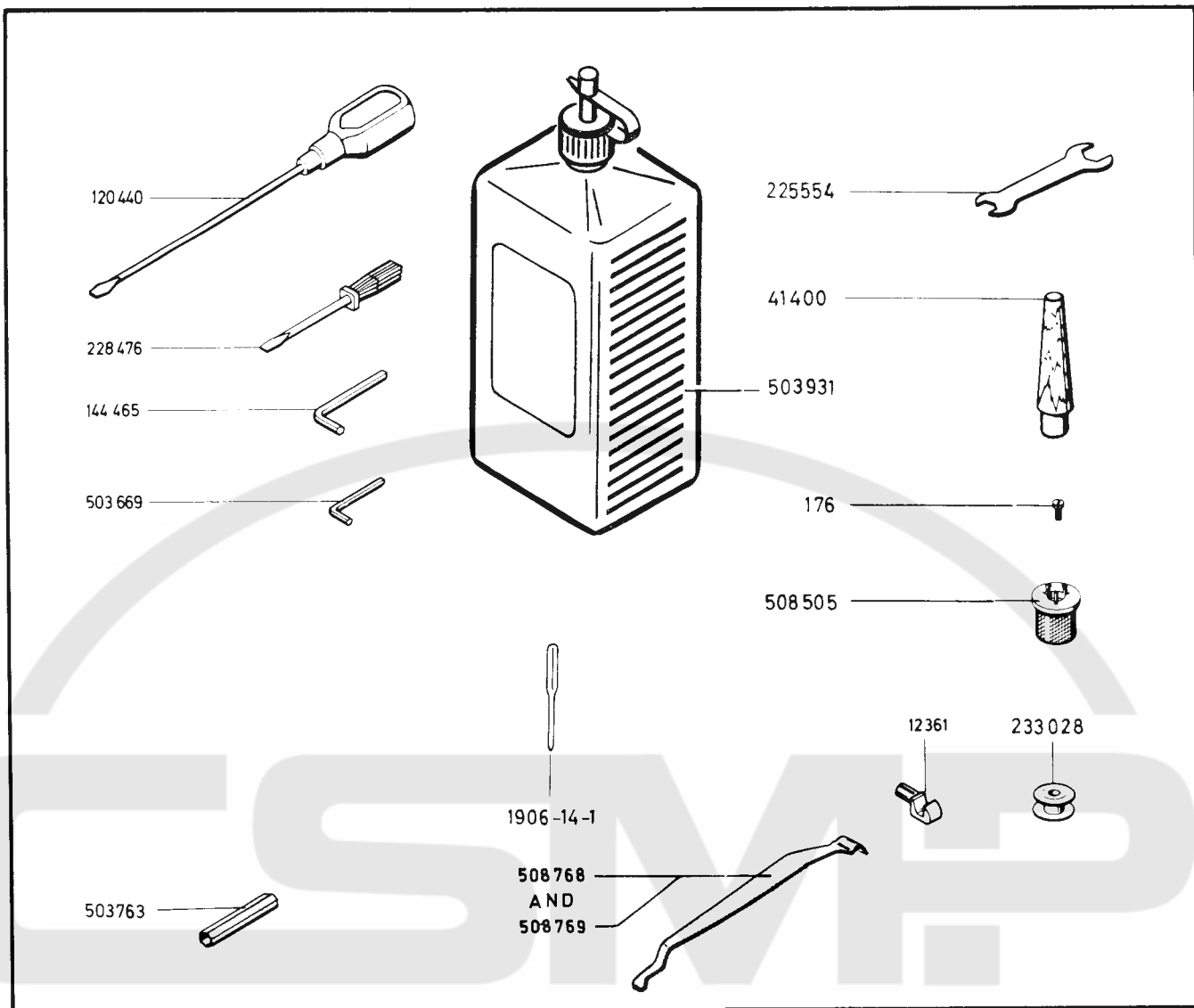
PART NO. DESCRIPTION



457 G 143/ GX 7 1500 (0271)

Accessories

PART NO.	DESCRIPTION	PART NO.	DESCRIPTION
50150-833	FEED REVERSING FOOT CONTROL LEVER	502996	KNEE LIFTER CONTROL SHAFT CPL. NOS. 500271, 500785, 502997, 502998, AND 508302
228364	KNEE LIFTER KNEE PLATE WITH 350231	502997	KNEE LIFTER CONTROL SHAFT
350231-850	KNEE LIFTER KNEE PLATE SET SCREW	502998	KNEE LIFTER ROCK SHAFT CRANK
500271-833	KNEE LIFTER CONTROL SHAFT CRANK STOP SCREW	502998	KNEE LIFTER CONTROL SHAFT CRANK
500329-850	MACHINE BASE AND OIL RESERVOIR PLUG SCREW	502999	KNEE LIFTER ROCK SHAFT CPL. NOS. 502589, 502998, AND 508302
500332-850	KNEE LIFTER SHAFT HUB PINCH SCREW (2)	503000	KNEE LIFTER CONTROL SHAFT GRIP RING
500785-850	KNEE LIFTER CONTROL SHAFT CRANK STOP SCREW NUT	508302	KNEE LIFTER CONTROL SHAFT CRANK PIN (2)
502583	KNEE LIFTER KNEE PLATE ARM	508501	KNEE LIFTER ROCK SHAFT CONNECTION
502587-002	KNEE LIFTER PLUNGER	508502	KNEE LIFTER ROCK SHAFT CONNECTION GRIP RING (2)
502589	KNEE LIFTER ROCK SHAFT	508503	MACHINE BASE AND OIL RESERVOIR GASKET
502591	KNEE LIFTER ROCK SHAFT HUB	508871	MACHINE BASE AND OIL RESERVOIR WITH 500329 AND 502799
502606	FEED FOOT CONTROL LEVER PIN COLLAR 502935 WITH 50150	508876	MACHINE BASE OIL RESERVOIR WITH KNEE LIFTER CPL. NOS. 228364, 502587-002, 502583, 502606, 502720, 508871, 502937, 502994, 502996, 508501, 508503, 502999, 503000, 502987 TWO 508502 AND FOUR 511605
502720	KNEE LIFTER ROCK SHAFT HUB 502591 WITH TWO 500332	511605	MACHINE BASE OIL RESERVOIR MOUNTING SCREW (WOOD) (4)
502799	MACHINE BASE AND OIL RESERVOIR DRAIN PLUG SCREW GASKET	512021	MACHINE GROUNDING WIRE LOCK WASHER
502935	FEED REVERSING FOOT CONTROL LEVER PIN COLLAR	603271	MACHINE GROUNDING WIRE SYMBOL
502937	FEED REVERSING FOOT CONTROL LEVER PIN		
502987	FEED REVERSING PLUNGER HOLE PLUG (FOR UN-USED HOLE)		
502994	KNEE LIFTER ROCK SHAFT SPACER		



457 G 143/ GX 7 1600 (0271)

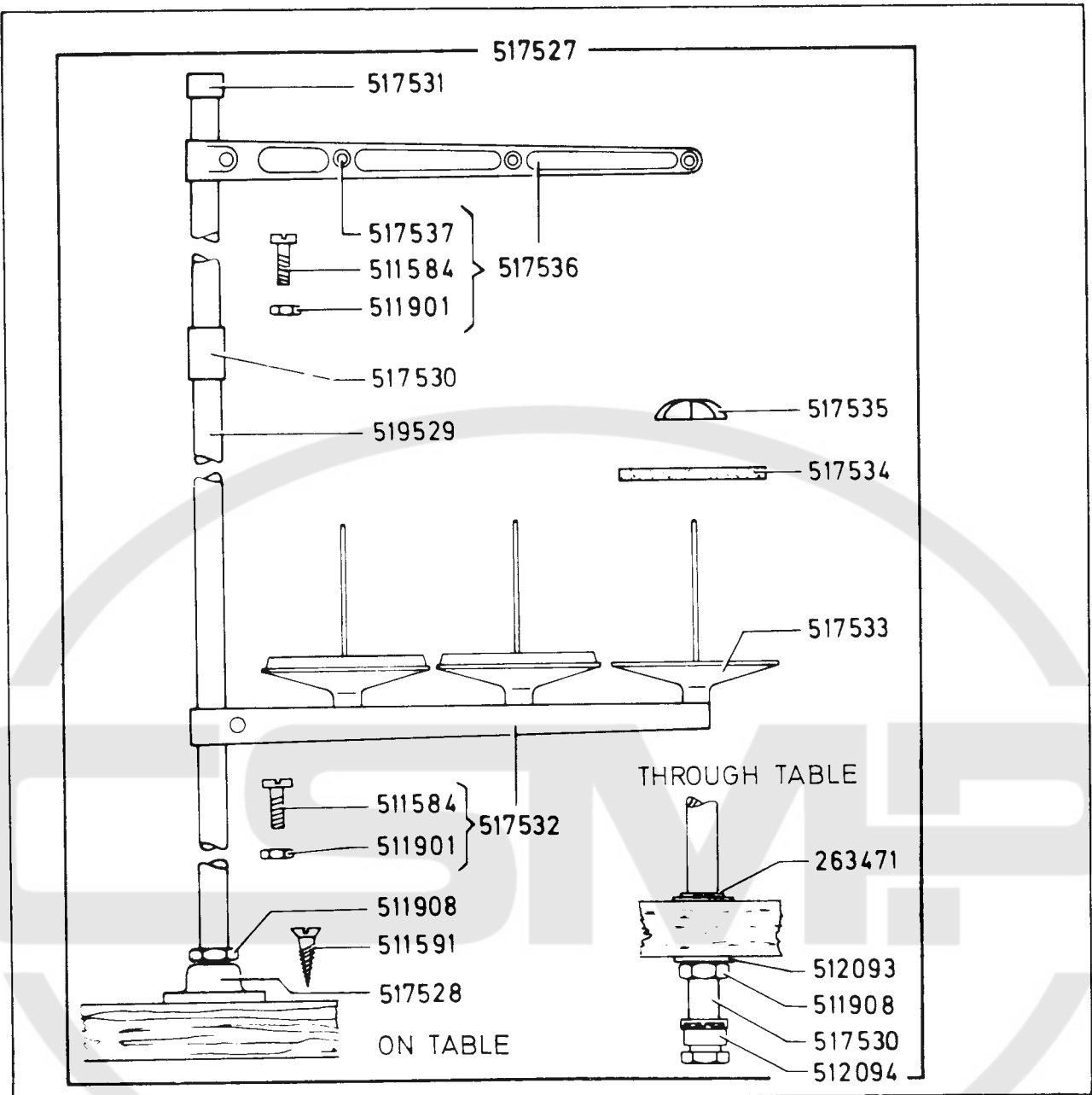
Accessories

001906-14-1	NEEDLE -5-
000176-850	ROTARY TAKE-UP GUARD COVER WINDOW SCREW
000176-850	ATTACHMENT SCREW
012361	MACHINE HINGE CONNECTION (2)
041400	MACHINE REST PIN WOOD
120440	SCREW DRIVER
144465	WRENCH (1/8 INCH HEXAGON)
225554	WRENCH

228476	SCREW DRIVER BOBBIN CASE
233028	BOBBIN
503669	WRENCH 5/64 INCH HEXAGON
503763	WRENCH 25/64 INCH HEXAGON
503931	OILER CPL. WITH SPOUT AND OIL 1 LTR.
508505	OIL FILTER WITH OIL FILTER MOUNTING SUPPORT
508768	PRESSER BAR SPRING
508769	PRESSER BAR SPRING

PART NO. DESCRIPTION

PART NO. DESCRIPTION



457 G 143/ GX 7 1700 (0271)

Accessories

263471	THREAD UNWINDER ROD RETAINING RING
511584-850	THREAD UNWINDER SPOOL CARRIER ARM SCREW
511584-850	THREAD UNWINDER THREAD GUIDE SCREW
511591-819	THREAD UNWINDER WOOD SCREW (3)
511901-830	THREAD UNWINDER SPOOL CARRIER ARM NUT
511901-830	THREAD UNWINDER THREAD GUIDE NUT
511908-850	THREAD UNWINDER ROD NUT (2)
512093	THREAD UNWINDER ROD WASHER (2)
512094	THREAD UNWINDER ROD SOCKET
517527	THREAD UNWINDER CPL., NOS. 263471, 511908, 512094, 517528, 517530, 517530, 517531, 517532, 517536, TWO EACH 512093, 517529 AND EACH 511591, 517533, 517534 AND 517535

517528	THREAD UNWINDER FOOT
517529	THREAD UNWINDER ROD (2)
517530	THREAD UNWINDER ROD CONNECTION
517530	THREAD UNWINDER PLAIN COUPLER
517531	THREAD UNWINDER ROD CAP
517532	THREAD UNWINDER SPOOL CARRIER ARM WITH 511584 AND 511901
517533	THREAD UNWINDER SPOOL CARRIER PLATE (3)
517534	THREAD UNWINDER SPOOL CUSHION (3)
517535	THREAD UNWINDER SPOOL HOLDER (3)
517536	THREAD UNWINDER THREAD GUIDE WITH 511584, 511901 AND THREE 517537
517537	THREAD UNWINDER THREAD GUIDE BUSHING (3)

PART NO. DESCRIPTION

PART NO. DESCRIPTION