



SINGER

302W101, W206, W406

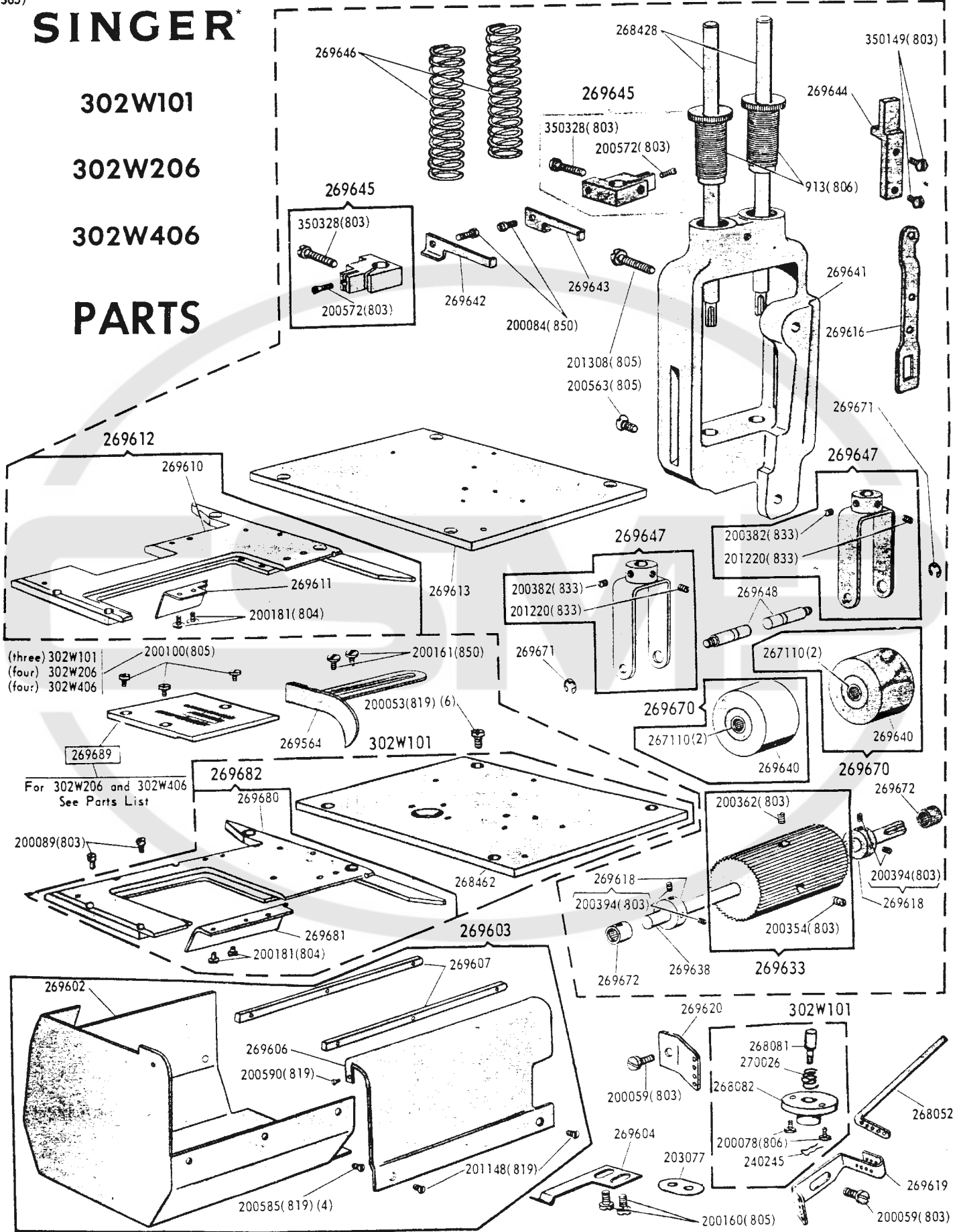
SINGER*

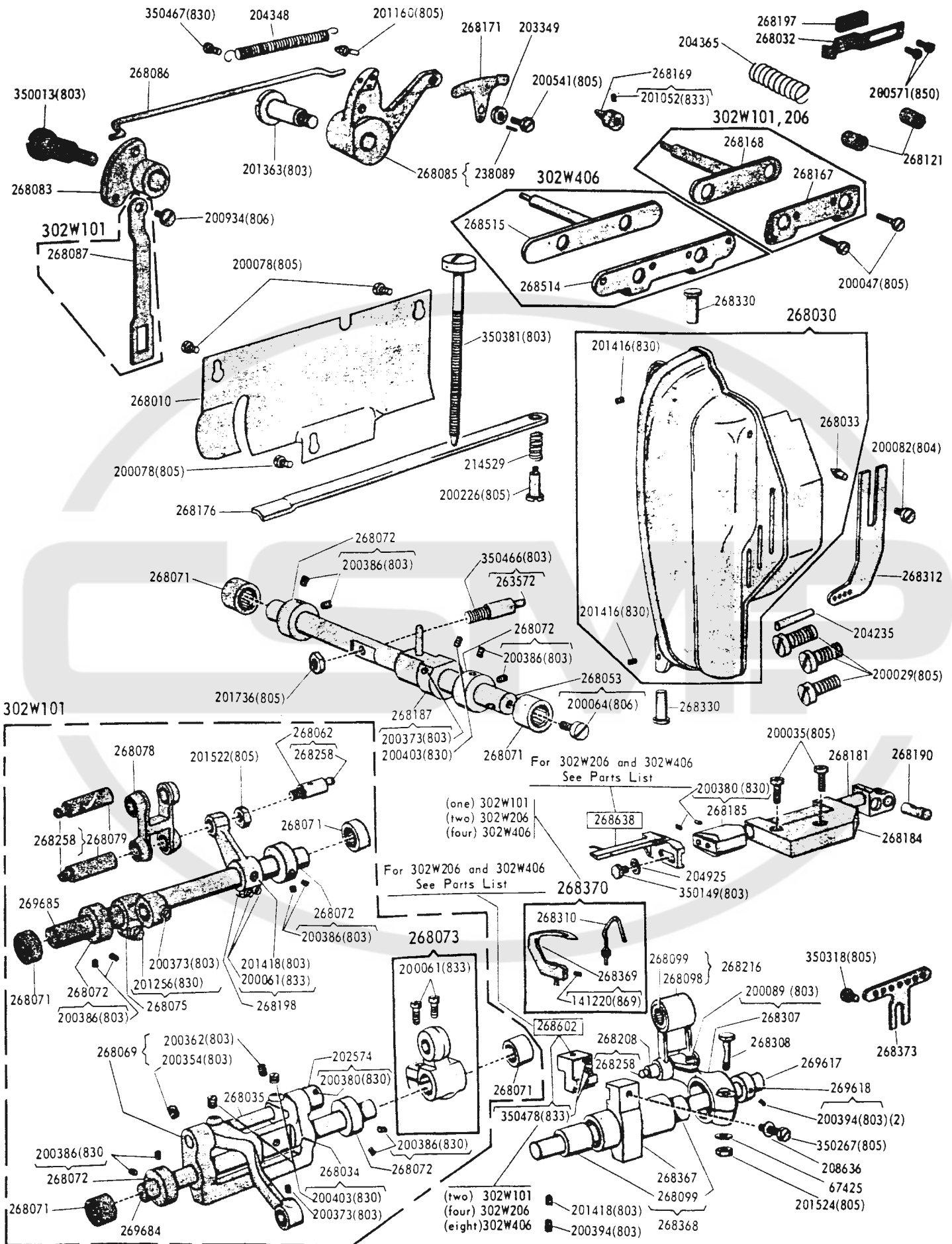
302W101

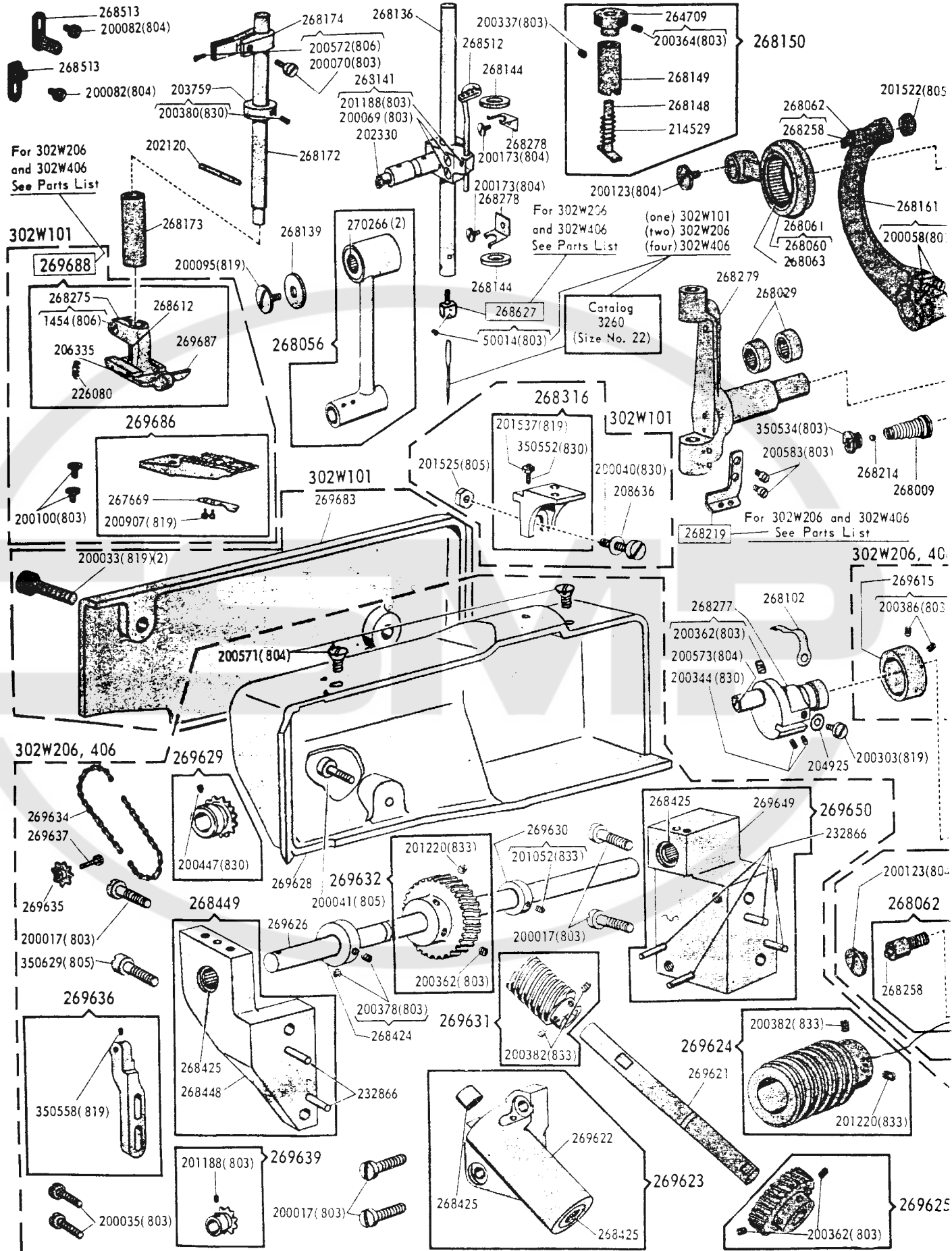
302W206

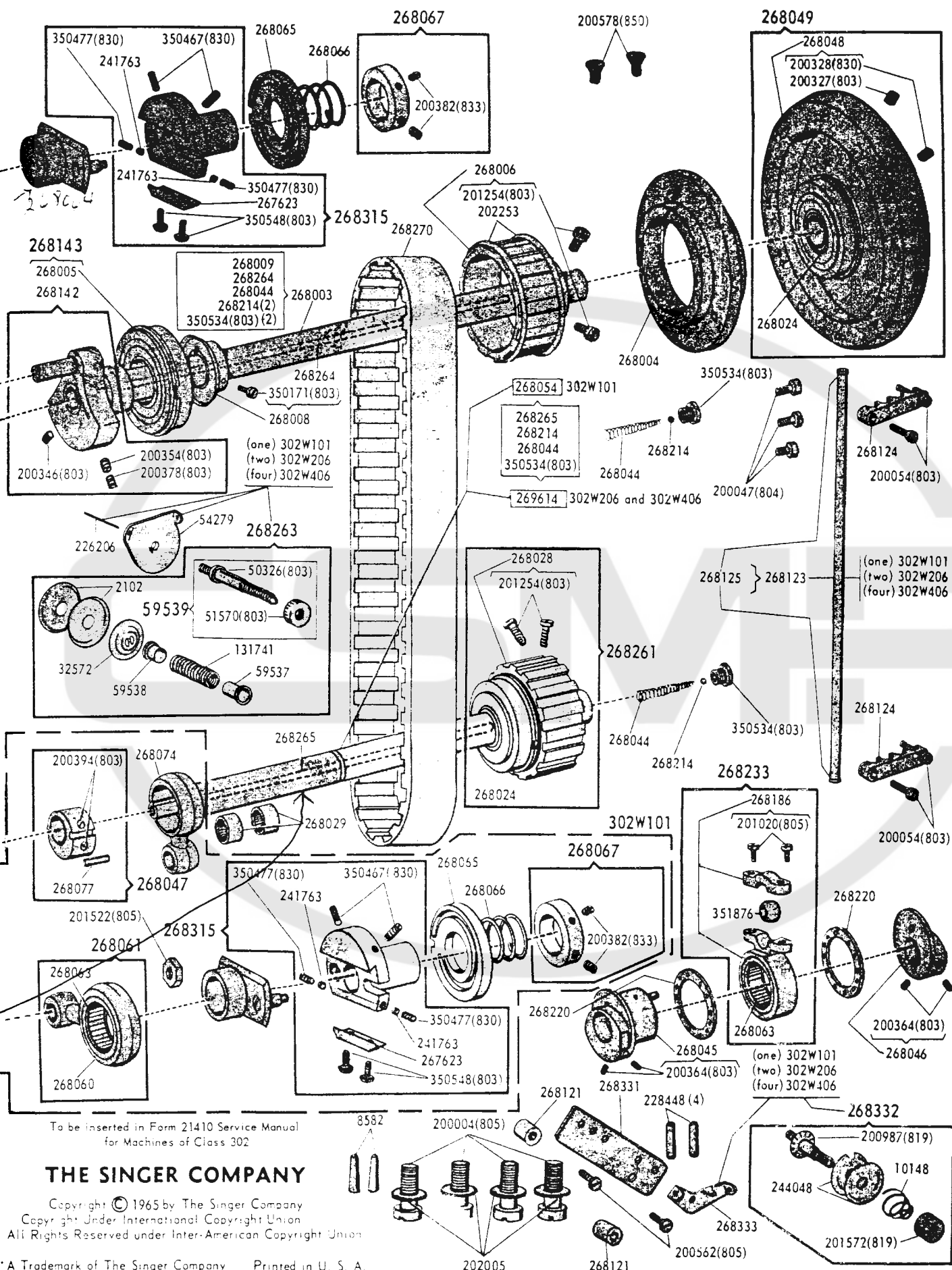
302W406

PARTS









To be inserted in Form 21410 Service Manual
for Machines of Class 302

THE SINGER COMPANY

Copyright © 1965 by The Singer Company
Copyright Under International Copyright Union
All Rights Reserved under Inter-American Copyright Union

*A Trademark of The Singer Company Printed in U. S. A.

NUMERICAL LIST OF PARTS MACHINES 302W101, 302W206 AND 302W406

NUMBER	DESCRIPTION	NUMBER	DESCRIPTION	NUMBER	DESCRIPTION	NUMBER	DESCRIPTION
1454(806)	Presser Foot Shank	200160(805)	Bed (elliptical)	200578(850)	Looper Thread Guide	204348	Foot Lifter Lever
2102	Pinch Screw (302W101)		Cover Lock Spring		(top of Arm) Bracket		Spring
Catalog	Needle Thread Tension	200161(850)	Screw(2)	200583(803)	Needle Bar Rock	204365	Needle Thread Tension
3260	Disc(2)	200173(804)	Needle Bar Oiling		Frame Thread Guide	204925	Releaser Spring
	Needle (62x57) Size No.	200181(804)	Felt Holder Screw(2)		Screw(2)		Looper Driving Crank
8582	22		Bed Plate (left)	200585(819)	Bed (elliptical) Cover	204925	Oil Hole Cover Screw
10148	Arm Position Pin(2)	200226(805)	Guard Screw(2)		Slide Bar Screw(4)	206335	Washer
	Looper Thread Tension	200303(819)	Presser Bar Spring	200590(819)	Bed (elliptical) Cover	204925	Spreader Screw Washer
	Spring		Support Screw		Section (front) Screw	208636	Presser Foot Hinge
32572	Needle Thread Tension	200327(803)	Looper Driving Crank	200907(819)	Loop Deflector	214529	Pin (302W101)
	Releasing Disc	200328(830)	Oil Hole Cover Screw		Screw(2) (302W101)		Looper Holder Screw
50014(803)	Needle Set Screw		Machine Pulley Set	200934(806)	Foot Lifter Lifting	214529	Washer
50326(803)	Needle Thread Tension	200337(803)	Screw	200987(819)	Link Hinge Screw		Needle Bar Rock
	Stud		Position Screw	201020(805)	Looper Thread Tension	226080	Frame Regulating
51570(803)	Needle Thread Tension	200344(830)	Needle Bar Rock		Stud		Stud Spring
	Thumb Nut		Frame Regulating Stud	201052(833)	Spreader Driving	226206	Presser Bar Spring
54279	Needle Thread Tension	200346(803)	Sleeve Set Screw	201148(819)	Connection Cap	228448	Cushion Spring
	Thread Guide (double)		Looper Driving Crank	201160(805)	Screw(2)		Presser Foot Plate
59537	Needle Thread Tension	200354(803)	Position Screw(2)	201188(803)	Needle Thread Tension	228448	Spring (302W101)
	Spring Bushing (front)		Needle Bar Crank	201254(803)	Releaser Cup Set		Needle Thread Tension
59538	Needle Thread Tension	200362(803)	Set Screw		Screw	238089	Releasing Pin
	Spring Bushing (back)		Needle Bar Crank	201254(803)	Position Screw		Machine Locating Stud
59539	Needle Thread Tension	200364(803)	Position Screw	201363(803)	Looper Driving Crank	238089	(4)
	Stud 50326(803) with		Looper Driving Crank		Set Screw		Needle Thread Tension
	51570(803)		Set Screw	201416(830)	Needle Bar Rock	241763	Releasing Plate Pin
67425	Looper Carrier Crank		Frame Regulating Stud	201418(803)	Frame Driving		Needle Bar Rock Frame
	Clamping Stud Nut	200364(803)	Cap Set Screw		Eccentric Counter-	244048	Driving Eccentric
	Washer		Spreader Driving	201522(805)	balance Set Screw(2)		Friction Plate Screw
131741	Needle Thread Tension	200373(803)	Needle Bar Rock	201524(805)	Needle Bar Rock	263572	Set Screw Packing
	Spring		Frame Driving		Frame Driving		(brass) (2)
141220(869)	Needle Guard Set Screw	200378(803)	Eccentric Adjusting	201524(805)	Connection Hinge Stud	264709	Looper Thread Tension
200004(805)	Arm Screw(4)		Disc Spring Collar	201524(805)	Nut		Disc(2)
200029(805)	Arm Head Screw(3)	200380(830)	Set Screw(2)	201524(805)	Looper Carrier Shaft	267623	Spreader Driving Rock
200033(819)	Bed Side Cover (back)		Needle Bar Crank	201524(805)	Set Screw		Shaft Screw Stud Oil
	Screw(2) (302W101)		Position Screw Check	201524(805)	Arm Shaft Connection	267669	Packing (wick)
200035(805)	Spreader Bar Bearing	200380(830)	Screw	201524(805)	Belt Pulley Set	267669	Needle Bar Rock
	Screw(2)		Presser Bar Stop	201524(805)	Screw(2)		Frame Regulating Stud
200047(804)	Arm Shaft Ball	200386(803)	Collar Set Screw	201524(805)	Foot Lifter Lever	267623	Cap with 200364(803)
	Bearing (back) Housing		Looper Carrier Shaft	201524(805)	Hinge Screw		Needle Bar Rock Frame
	Screw(3)	200386(803)	Coil Set Screw(2)	201524(805)	Face Plate Hinge Set	268003	Driving Eccentric
200047(805)	Needle Thread Tension		Needle Bar Rock	201524(805)	Screw(2)		Friction Plate
	Bracket Screw(2)	200386(803)	Frame Driving	201524(805)	Looper Carrier Shaft	268004	Loop Deflector
200053(819)	Bed Plate Screw(6)		Eccentric Adjusting	201524(805)	Set Screw		(302W101)
		200386(803)	Disc Spring Collar	201524(805)	Arm Shaft with	268005	Arm Shaft with
200054(803)	Looper Thread Tube		Set Screw(2)	201524(805)	268009, 268044,		268009, 268044,
	Clamp Screw(4)	200386(803)	Bed Shaft Thrust	201524(805)	268264, two each		268264, two each
200058(803)	Needle Bar Rock Frame		Collar Set Screw(2)	201524(805)	268214 and 350534(803)		268214 and 350534(803)
	Driving Arm Pinch	200386(803)	(302W206, 406)	201524(805)	Arm Shaft Ball Bearing	268004	Arm Shaft Ball Bearing
	Screw(2)		Spreader Driving Rock	201524(805)	(back) Housing		(back) Housing
200059(803)	Looper Thread Guide	200386(803)	Shaft Collar Set	201524(805)	Arm Shaft Ball Bearing	268005	Arm Shaft Ball Bearing
	(on Bed) (on front)		Screw(4)	201524(805)	(front)		(front)
	Screw	200386(803)	Looper Carrier Shaft	201524(805)	Arm Shaft Connection	268006	Arm Shaft Connection
200059(803)	Looper Thread Guide		Coil Set Screw(2)	201524(805)	Belt Pulley with two		Belt Pulley with two
	(on Bed) (under cover)	200386(803)	Needle Bar Rock	201524(805)	each 201254(803) and		each 201254(803) and
	Screw		Frame Driving	201524(805)	202253		202253
200064(806)	Looper Thread Take-	200386(803)	Eccentric Adjusting	201524(805)	Arm Shaft Oil Slinger	268008	Arm Shaft Oil Slinger
	up Rod Set Screw		Disc Spring Collar	201524(805)	with 350171(803)		with 350171(803)
		200394(803)	Set Screw(2)	201524(805)	Arm Shaft Oil Stop	268009	Arm Shaft Oil Stop
200069(803)	Needle Bar Connecting		Looper Carrier	201524(805)	Ball Spring (front)		Ball Spring (front)
	Stud Pinch Screw(2)	200394(803)	Shaft Set Screw Check	201524(805)	Arm Side Cover	268010	Arm Side Cover
200070(803)	Presser Bar Guide		Screw	201524(805)	Arm Shaft Ball	268010	Arm Shaft Ball
	Bracket Pinch Screw	200403(830)	Spreader Driving	201524(805)	Bearing (back)	268024	Bearing (back)
200078(805)	Arm Side Cover		Crank Set Screw	201524(805)	Bed Shaft Ball	268024	Bed Shaft Ball
	Screw(3)	200541(805)	Needle Thread Tension	201524(805)	Bearing		Bearing
200082(804)	Needle Thread Guide		Releasing Plate Screw	201524(805)	Bed Shaft Connection	268028	Bed Shaft Connection
	Screw(3)	200562(805)	Looper Thread Tension	201524(805)	Belt Pulley with two		Belt Pulley with two
200089(803)	Bed Plate (left)		Bracket Screw(2)	201524(805)	201254(803)		201254(803)
	Screw(2)	200571(850)	Face Plate Lock	201524(805)	Bed Shaft Needle	268029	Bed Shaft Needle
200089(803)	Looper Carrier Crank		Spring Screw(2)	201524(805)	Bearing(2)		Bearing(2)
	Hinge Pin Pinch Screw	200572(806)	Presser Bar Guide	201524(805)	Needle Bar Rock Frame	268029	Needle Bar Rock Frame
200095(819)	Needle Bar Connecting		Bracket Adjusting	201524(805)	Needle Bearing(2)		Needle Bearing(2)
	Link Cap Washer Screw	200573(804)	Screw	201524(805)	Face Plate with	268030	Face Plate with
200100(805)	Throat Plate Screw		Looper Driving Crank	201524(805)	268033 and two		268033 and two
			Oil Stop Screw	201524(805)	201416(830)		201416(830)
200123(804)	Needle Bar Rock Frame			201524(805)	Face Plate Lock Spring	268032	Face Plate Lock Spring
	Driving Connection Cap			201524(805)			
	Screw			201524(805)			

NUMBER	DESCRIPTION	NUMBER	DESCRIPTION	NUMBER	DESCRIPTION	NUMBER	DESCRIPTION
268033	Face Plate Lock Stud	268099	Looper Carrier Needle Bearing(2)	268208	Looper Carrier Crank Hinge Pin with 268258	268369	Looper with 141220(869)
268044	Arm Shaft Oil Stop Ball Spring (rear)	268099	Looper Driving Connection Needle Bearing	268214	Arm Shaft Oil Stop Ball 5 32 in. diam.(2)	268370	Looper and Needle Guard complete, 268310 and 268369
268044	Bed Shaft Oil Stop Ball Spring	268102	Looper Driving Crank Oil Hole Cover	268214	Bed Shaft Oil Stop Ball 5 32 in. diam.	268373	Looper Thread Guide (on Bed or Looper)
268045	Spreader Driving Eccentric with two 200364(803)	268121	Looper Thread Tension Bracket Spacing Collar(2)	268216	Looper Driving Connection 268098 with 268099	268462	Bed Plate (right) (302W101)
268046	Spreader Driving Eccentric Counter-balance with two 200364(803)	268121	Looper Thread Tube with two 268125	268219	Needle Bar Rock Frame Thread Guide (302W101)	268512	Needle Thread Guide (on Needle Bar Connecting Stud)
268048	Machine Pulley (aluminum alloy casting) for "V" belt (outside diam of belt groove 2.9 in.) with 200327(803) and 200328(830)	268123	Looper Thread Tube Clamp(2)	268220	Spreader Driving Eccentric Thrust Washer(2)	268513	Needle Thread Guide (on side of Arm)(2)
268049	Machine Pulley 268048 with 268024	268124	Looper Thread Tube Thread Bushing(2)	268233	Spreader Driving Connection 268186 with 268063 and 351876	268514	Needle Thread Tension Bracket (302W406)
268052	Looper Thread Take-up Rod	268136	Needle Bar Needle Bar	268258	Looper Carrier Crank Hinge Pin Oil Packing (wick)	268515	Needle Thread Tension Releaser (302W406)
268053	Spreader Driving Rock Shaft with 200064(806)	268139	Connecting Link Cap Washer	268258	Needle Bar Rock Frame Driving Connection Hinge Stud Oil Packing (wick)	268602	Looper Holder with two 350478(833) (302W101)
268054	Bed Shaft with 268044, 268214, 268265, 350534(803), (302W101)	268141	Needle Bar Connecting Stud with 201188(803), 202330 and two 200069(803)	268258	Needle Bar Rock Frame Driving Connection Hinge Stud Oil Packing (wick)	268612	Presser Foot Plate Heel Spring (302W101)
268056	Needle Bar Connecting Link with two 270266	268142	Needle Bar Crank with 200346(803), 200354(803) and 200378(803)	268261	Bed Shaft Connection Belt Pulley 268028 with 268024	268627	Needle Holder with 50014(803) (302W101)
268060	Needle Bar Rock Frame Driving Connection	268143	Needle Bar Crank 268142 with 268005	268263	Needle Thread Tension complete, 32572, 59537, 59538, 59539, 131741 and two 2102	269564	Edge Guide
268061	Needle Bar Rock Frame Driving Connection 268060 with 268063	268144	Needle Bar Oiling Felt(2)	268264	Arm Shaft Oil Control Rod (wood)	269602	Bed (elliptical) Cover with Lock Stud
268062	Needle Bar Rock Frame Driving Connection Hinge Stud with 268258	268148	Needle Bar Rock Frame Regulating Stud	268265	Bed Shaft Oil Control Rod (wood)	269603	Bed (elliptical) Cover complete, 200590(819), 269602, 269606, two each 201148(819), 269607 and four 200585(819)
268063	Needle Bar Rock Frame Driving Connection Needle Bearing	268149	Needle Bar Rock Frame Regulating Stud complete, 214529, 264709, 268148 and 268149	268270	Arm Shaft Connection Belt (reinforced neoprene)	269604	Bed (elliptical) Cover Lock Spring
268063	Spreader Driving Connection Needle Bearing	268150	Needle Bar Rock Frame Driving Arm with two 200058(803)	268275	Presser Foot Shank with 1454(806) (302W101)	269606	Bed (elliptical) Cover Section (front)
268065	Needle Bar Rock Frame Driving Eccentric Adjusting Disc	268161	Needle Bar Rock Frame Driving Arm with two 200058(803)	268277	Looper Driving Crank with 200362(803), 200573(804) and two 200344(830)	269607	Bed (elliptical) Cover Slide Bar(2)
268066	Needle Bar Rock Frame Driving Eccentric Adjusting Disc Spring	268167	Needle Thread Tension Bracket (302W101, 206)	268278	Needle Bar Oiling Felt Holder(2)	269610	Bed Plate (left) (302W206, 406)
268067	Needle Bar Rock Frame Driving Eccentric Adjusting Disc Spring Collar with two 200382(833)	268168	Needle Thread Tension Releaser (302W101, 206)	268279	Needle Bar Rock Frame	269611	Bed Plate (left) Guard (302W206, 406)
268071	Spreader Driving Rock Shaft Needle Bearing(2)	268169	Needle Thread Tension Releaser Cap with 201052(833)	268307	Looper Carrier Crank with 200089(803)	269612	Bed Plate (left) and Guard complete, 269610, 269611 and two 200181(804) (302W206, 406)
268072	Spreader Driving Rock Shaft Collar with two 200386(803)(2)	268171	Needle Thread Tension Releasing Plate (Adjustable)	268308	Looper Carrier Crank Clamping Stud	269613	Bed Plate (right) (302W206, 406)
268083	Foot Lifter Bell Crank	268172	Presser Bar	268310	Needle Guard	269614	Bed Shaft with 268044, 268214, 268265, 350534(803) (302W206, 406)
268085	Foot Lifter Lever with 238089	268173	Presser Bar Bushing	268312	Needle Thread Guide (on Arm Head)	269615	Bed Shaft Thrust Collar with two 200386(803), (302W206, 406)
268086	Foot Lifter Lever Rod	268174	Presser Bar Guide Bracket with 200070(803) and 200572(806)	268315	Needle Bar Rock Frame Driving Flange with 267623, two each 241763, 350467(830), 350477(830) and 350548(803)	269616	Foot Lifter Lifting Link (302W206, 406)
268087	Foot Lifter Lifting Link (302W101)	268176	Presser Bar Spring	268330	Face Plate Hinge Stud(2)	269617	Looper Carrier Shaft
268098	Looper Driving Connection	268181	Spreader Bar	268331	Looper Thread Tension Bracket	269618	Looper Carrier Shaft Collar with two 200394(803)
		268184	Spreader Bar Bearing	268332	Looper Thread Tension complete, 10148, 200987(819), 201572(819) and two 244048	269619	Looper Thread Guide (on Bed) (on front)
		268185	Spreader Holder with two 200380(830)	268333	Looper Thread Tension Thread Guide	269620	Looper Thread Guide (on Bed) (under cover)
		268186	Spreader Driving Connection with two 201020(805)	268367	Looper Carrier	269680	Bed Plate (left) (302W101)
		268187	Spreader Driving Crank with 200373(803) and 200403(830)	268368	Looper Carrier	269681	Bed Plate (left) Guard (302W101)
		268190	Spreader Driving Pin		268367 with two 268099		
		268197	Face Plate Lock Spring Plate				

NUMBER	DESCRIPTION	NUMBER	DESCRIPTION	NUMBER	DESCRIPTION	NUMBER	DESCRIPTION
269682	Bed Plate (left) and Guard complete, 269680, 269681 and two 200181(804) (302W101)	269689	Throat Plate, for 269686 (302W101)	350381(803)	Presser Bar Spring Adjusting Screw	350478(833)	Looper Adjusting Screw
269683	Bed Side Cover (back) (302W101)	270266	Needle Bar Connecting Link Needle Bearing(2)	350466(803)	Spreader Driving Rock Shaft Screw Stud with 263572	350478(833)	Looper Set Screw
269687	Presser Foot Plate (302W101)	350013(803)	Foot Lifter Bell Crank Hinge Screw	350467(830)	Needle Bar Rock Frame Driving Flange Set Screw(2)	350534(803)	Arm Shaft Oil Stop Ball Screw(2)
269688	Presser Foot (spring hinged) complete, 40 needle hole, 206335, 226080, 268275, 268612 and 269687 (302W101)	350149(803)	Spreader Screw	350467(830)	Presser Bar Spring Adjusting Screw Set Screw	350534(803)	Bed Shaft Oil Stop Ball Screw
		350171(803)	Arm Shaft Oil Slinger Set Screw	350477(830)	Needle Bar Rock Frame Driving Eccentric Friction Plate Screw Set Screw(2)	350548(803)	Needle Bar Rock Frame Driving Eccentric Friction Plate Screw(2)
		350267(805)	Looper Holder Screw			351876	Spreader Driving Rock Shaft Screw Stud Ball Roller
		350318(805)	Looper Thread Guide (on Bed at Looper) Screw				

FITTINGS

STANDARD GAUGES	LOOPER HOLDER	NEEDLE BAR ROCK FRAME THREAD GUIDE	NEEDLE HOLDER	PRESSER FOOT (COMPLETE)	SPREADER	THROAT PLATE
			302W206			
3/4"	268105	268255	268154	269574	268376	269597
7/8"	268105	268255	268154	269574	268376	269651
1"	268106	268256	268156	269574	268377	269598
1-1/4"	268107	268268	268157	269577	268378	269597
1-3/8"					268378	269651
1-1/2"	268107	268268	268157	269577	268378	269598
1-3/4"	268282	268304	268158	269577	268379	269597
2"	268282				268379	
			302W406			
1/4, 1/4, 1/4"	269065	269138	269191	269237	269342	269597
5/16, 5/16, 5/16"	269065	269138	269192	269237	269342	269652
3/8, 3/8, 3/8"	269065	269138	269192	269237	269342	269652
1/2, 1/2, 1/2"	269065	269138	269193	269240	269342	269598
1/4, 1/4, 1/4"	269065	269138	269193	269240	269342	269598

When Ordering Fittings, State Gauge Required.

302W101 DROP FEED PARTS

NUMBER	DESCRIPTION	NUMBER	DESCRIPTION	NUMBER	DESCRIPTION	NUMBER	DESCRIPTION
200040(830)	Feed Dog Shank Screw	200382(833)	Feed Driving Eccentric Adjusting Disc Spring Collar Set Screw(2)	201525(805)	Feed Dog Shank Screw Lock Nut	268047	Feed Lifting Eccentric with 268077 and two 200394(803)
200061(833)	Feed Driving Rock Shaft Crank Pinch Screw(2)	200386(830)	Feed Driving Rock Shaft Collar Set Screw(4)	201537(819)	Feed Dog Shank Adjusting Screw Lock Nut	268060	Feed Driving Connection
200061(833)	Feed Lifting Rock Shaft Crank Pinch Screw(2)	200386(803)	Feed Lifting Rock Shaft Collar Set Screw(4)	202574	Feed Bar Hinge Pin Collar with 200380(830)	268061	Feed Driving Connection 268060 with 268063
200078(806)	Feed Regulating Stud Socket Screw(2)	200394(803)	Feed Lifting Eccentric Set Screw(2)	208636	Feed Dog Shank Screw Washer	268062	Feed Driving Connection Hinge Stud with 268258
200100(803)	Feed Dog Screw(2)	200403(830)	Feed Bar Set Screw(2)	240245	Feed Regulating Stud Retaining Spring	268062	Feed Driving Connection Hinge Stud with 268258
200123(804)	Feed Driving Connection Cap Screw	201256(830)	Feed Lifting Crank Pinch Screw	241763	Feed Driving Eccentric Friction Plate Screw Set Screw	268062	Feed Lifting Connection Hinge Stud with 268258
200354(803)	Feed Driving Rock Frame Position Screw	201418(803)	Feed Lifting Rock Shaft Crank Position Screw	267623	Feed Driving Eccentric Friction Plate	268063	Feed Driving Connection Needle Bearing
200362(803)	Feed Driving Rock Frame Set Screw	201522(805)	Feed Driving Connection Hinge Stud Nut	268034	Feed Bar with 200373(803) and two 200403(830)	268065	Feed Driving Eccentric Adjusting Disc
200373(803)	Feed Lifting Link Hinge Pin Set Screw (2)	201522(805)	Feed Lifting Connection Hinge Stud Nut	268035	Feed Bar Hinge Pin		

NUMBER	DESCRIPTION	NUMBER	DESCRIPTION	NUMBER	DESCRIPTION	NUMBER	DESCRIPTION
268066	Feed Driving Eccentric Adjusting Disc Spring	268073	Feed Driving Rock Shaft Crank with two 200061(833)	268198	Feed Lifting Rock Shaft Crank with 201418(803) and two 200061(833)	269684	Feed Driving Rock Shaft
268067	Feed Driving Eccentric Adjusting Disc Spring Collar with two 200382(833)	268074	Feed Lifting Connection	268258	Feed Driving Connection Hinge Stud Oil Packing (wick)	269685	Feed Lifting Rock Shaft
268069	Feed Driving Rock Frame with 200354(803) and 200362(803)	268075	Feed Lifting Crank with 200373(803) and 201256(830)	268258	Feed Lifting Connection Hinge Stud Oil Packing (wick)	269686	Feed Dog, 40 needle hole, with 267669 and two 200907(819) for 269689
268071	Feed Driving Rock Shaft Needle Bearing(2)	268077	Feed Lifting Eccentric Lubricating Pad (wood)	268258	Feed Lifting Link Hinge Pin Oil Packing (wick)(2)	270026	Feed Regulating Stud Spring
268071	Feed Lifting Rock Shaft Needle Bearing(2)	268078	Feed Lifting Link	268315	Feed Driving Flange with 267623, two each 241763, 350467(830), 350477(830) and 350548(803)	350467(830)	Feed Driving Flange Set Screw(2)
268072	Feed Driving Rock Shaft Collar with two 200386(830)(2)	268079	Feed Lifting Link Hinge Pin with 268258(2)	268316	Feed Dog Shank with 201537(819) and 350552(830)	350477(830)	Feed Driving Eccentric Friction Plate Screw Set Screw(2)
268072	Feed Lifting Rock Shaft Collar with two 200386(803)(2)	268081	Feed Regulating Stud			350548(803)	Feed Driving Eccentric Friction Plate Screw(2)
		268082	Feed Regulating Stud Socket			350552(830)	Feed Dog Shank Adjusting Screw

302W206/406, PULLER FEED PARTS

NUMBER	DESCRIPTION	NUMBER	DESCRIPTION	NUMBER	DESCRIPTION	NUMBER	DESCRIPTION
913(806)	Puller Feed Roll (upper) Bar Spring Adjusting Screw(2)	200572(803)	Puller Feed Roll (upper) Bar Position Bracket Adjusting Screw(2)	269622	Puller Feed Cross Shaft Bracket	269640	Puller Feed Roll (upper)(2)
200017(803)	Puller Feed Cross Shaft Bracket Screw(2)	201052(833)	Puller Feed Driving Shaft Thrust Collar Set Screw	269623	Puller Feed Cross Shaft Bracket 269622 with two 268425	269641	Puller Feed Roll (upper) Bar Bracket
200017(803)	Puller Feed Driving Shaft Bracket Screw(3)	201188(803)	Puller Feed Roll (lower) Shaft Sprocket Set Screw	269624	Puller Feed Cross Shaft Worm Gear with two 200362(803)	269642	Puller Feed Roll (upper) Bar Lifter Arm (left)
200035(803)	Puller Feed Roll (lower) Chain Idler Sprocket Bracket Screw(2)	201220(833)	Puller Feed Cross Shaft Worm Position Screw	269625	Puller Feed Driving Shaft	269643	Puller Feed Roll (upper) Bar Lifter Arm (right)
200041(805)	Puller Feed Driving Shaft Cover Screw (lower)	201220(833)	Puller Feed Driving Shaft Worm Gear Position Screw	269626	Puller Feed Driving Shaft Cover	269644	Puller Feed Roll (upper) Bar Lifter Arm Block
200084(850)	Puller Feed Roll (upper) Bar Lifter Arm Screw(2)	201220(833)	Puller Feed Roll (upper) Bracket Position Screw(2)	269628	Puller Feed Driving Shaft Cover	269645	Puller Feed Roll (upper) Bar Position Bracket with 200572(803) and 350328(803)(2)
200354(803)	Puller Feed Roll (lower) Position Screw	201308(805)	Puller Feed Roll (upper) Bar Bracket Screw (upper)	269629	Puller Feed Driving Shaft Thrust Collar with 201052(833)	269646	Puller Feed Roll (upper) Bar Spring(2)
200362(803)	Puller Feed Cross Shaft Worm Gear Set Screw(2)	232866	Puller Feed Cross Shaft Bracket Position Pin(2)	269630	Puller Feed Driving Shaft Thrust Collar with 201052(833)	269647	Puller Feed Roll (upper) Bracket with 200382(833) and 201220(833)(2)
200362(803)	Puller Feed Driving Shaft Worm Gear Set Screw	232866	Puller Feed Driving Shaft Bracket Position Pin(4)	269631	Puller Feed Driving Shaft Worm with two 200382(833) (for 9 stitches per inch)	269648	Puller Feed Roll (upper) Shaft(2)
200362(803)	Puller Feed Roll (lower) Set Screw	267110	Puller Feed Roll (upper) Needle Bearing(4)	269632	Puller Feed Driving Shaft Worm Gear with 200362(803) and 201220(833) (for 9 stitches per inch)	269649	Puller Feed Driving Shaft Bracket (right)
200378(803)	Puller Feed Driving Shaft Collar Set Screw(2)	268424	Puller Feed Driving Shaft Collar with two 200378(803)	269633	Puller Feed Roll (lower) with 200354(803) and 200362(803)	269650	Puller Feed Driving Shaft Bracket 269649 with 268425 (Needle Bearing on left)
200382(833)	Puller Feed Cross Shaft Worm Set Screw	268425	Puller Feed Cross Shaft Needle Bearing(2)	269634	Puller Feed Roll (lower) Chain	269670	Puller Feed Roll (upper) 269640 with two 267110(2)
200382(833)	Puller Feed Driving Shaft Worm Set Screw(2)	268425	Puller Feed Driving Shaft Needle Bearing(2)	269635	Puller Feed Roll (lower) Chain Idler Sprocket	269671	Puller Feed Roll (upper) Shaft Retaining Ring(2)
200382(833)	Puller Feed Roll (upper) Bracket Set Screw(2)	268428	Puller Feed Roll (upper) Bar(2)	269636	Puller Feed Roll (lower) Chain Idler Sprocket Bracket with 350558(819)	269672	Puller Feed Roll (lower) Shaft Needle Bearing(2)
200394(803)	Puller Feed Roll (lower) Shaft Collar Set Screw(4)	268448	Puller Feed Driving Shaft Bracket	269637	Puller Feed Roll (lower) Chain Idler Sprocket Pin	350149(803)	Puller Feed Roll (upper) Bar Lifter Arm Block Screw(2)
200447(830)	Puller Feed Driving Shaft Sprocket Set Screw	268449	Puller Feed Driving Shaft Bracket 268448 with 268425	269638	Puller Feed Roll (lower) Shaft	350328(803)	Puller Feed Roll (upper) Bar Position Bracket Pinch Screw(2)
200563(805)	Puller Feed Roll (upper) Bar Bracket Screw (lower)	269618	Puller Feed Roll (lower) Shaft Collar with two 200394(803)(2)	269639	Puller Feed Roll (lower) Shaft Sprocket with 201188(803)	350558(819)	Puller Feed Roll (lower) Chain Idler Sprocket Pin Set Screw
200571(804)	Puller Feed Driving Shaft Cover Screw (upper)(2)	269621	Puller Feed Cross Shaft			350629(805)	Puller Feed Driving Shaft Bracket Screw (lower)