

**ILLUSTRATED  
PARTSLIST**

**FOR**

**SINGER\***

**UNDER BED THREAD  
TRIMMER**

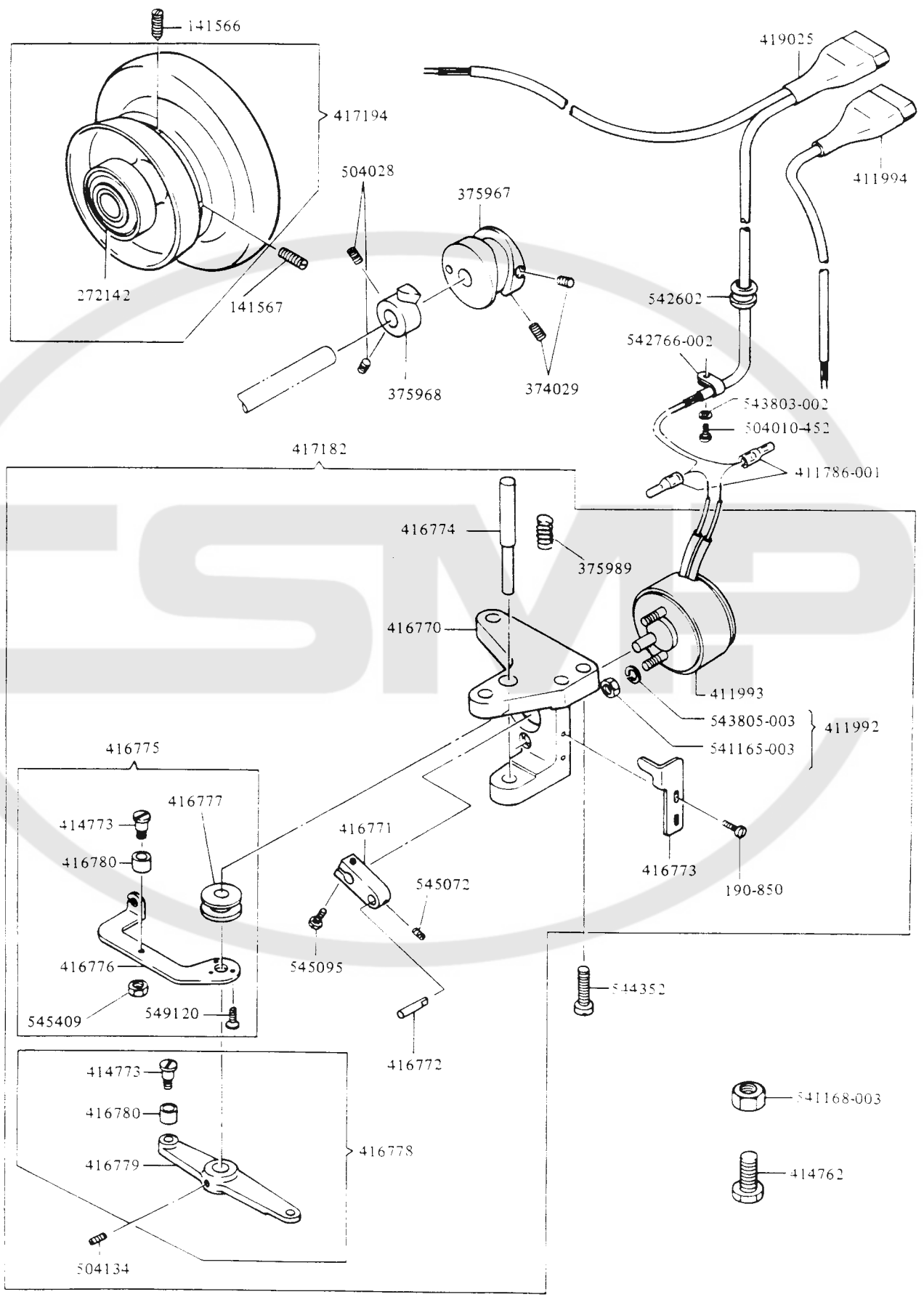
**FOR 212U-UTT**

212U141BA

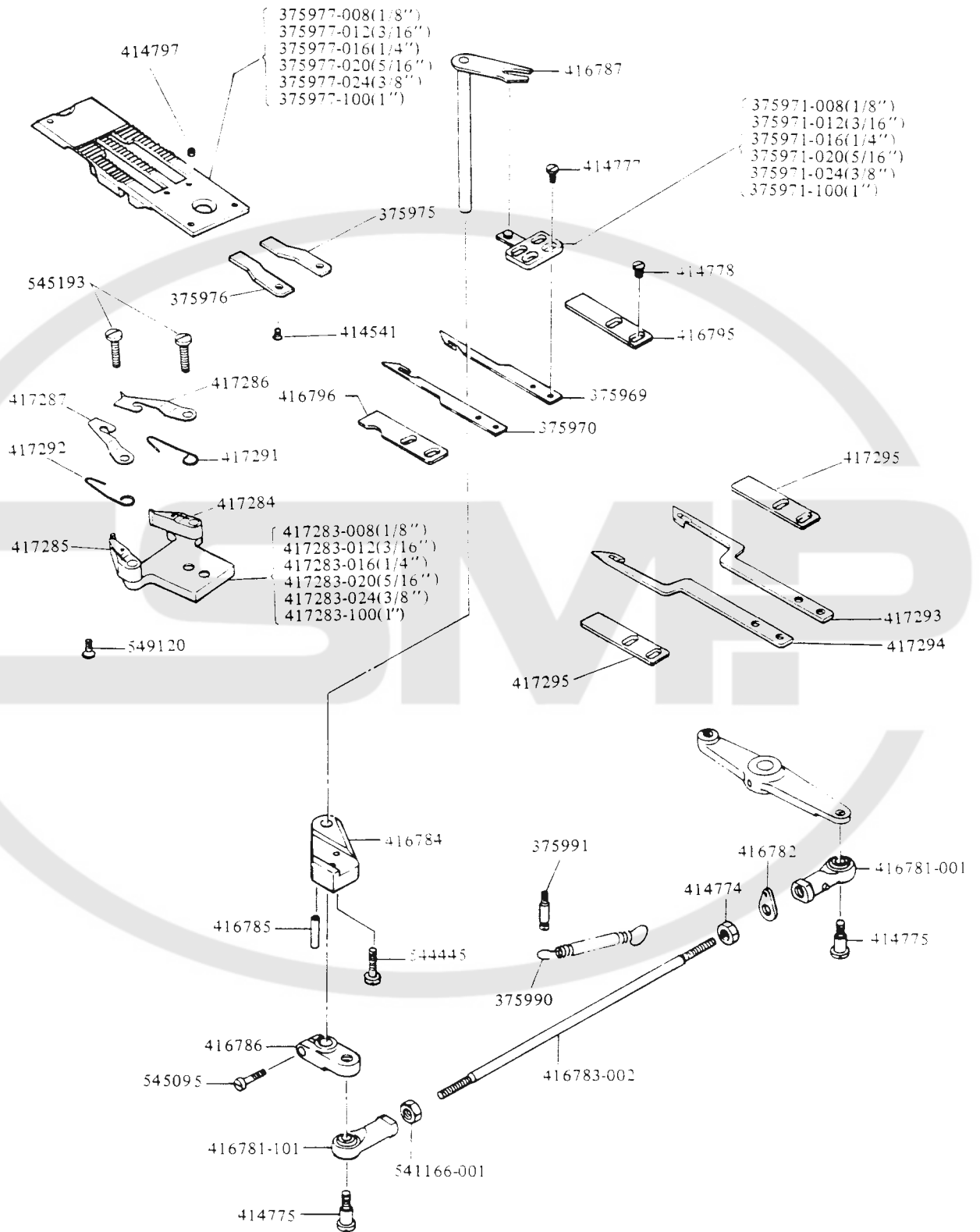
U541BA

U141GA

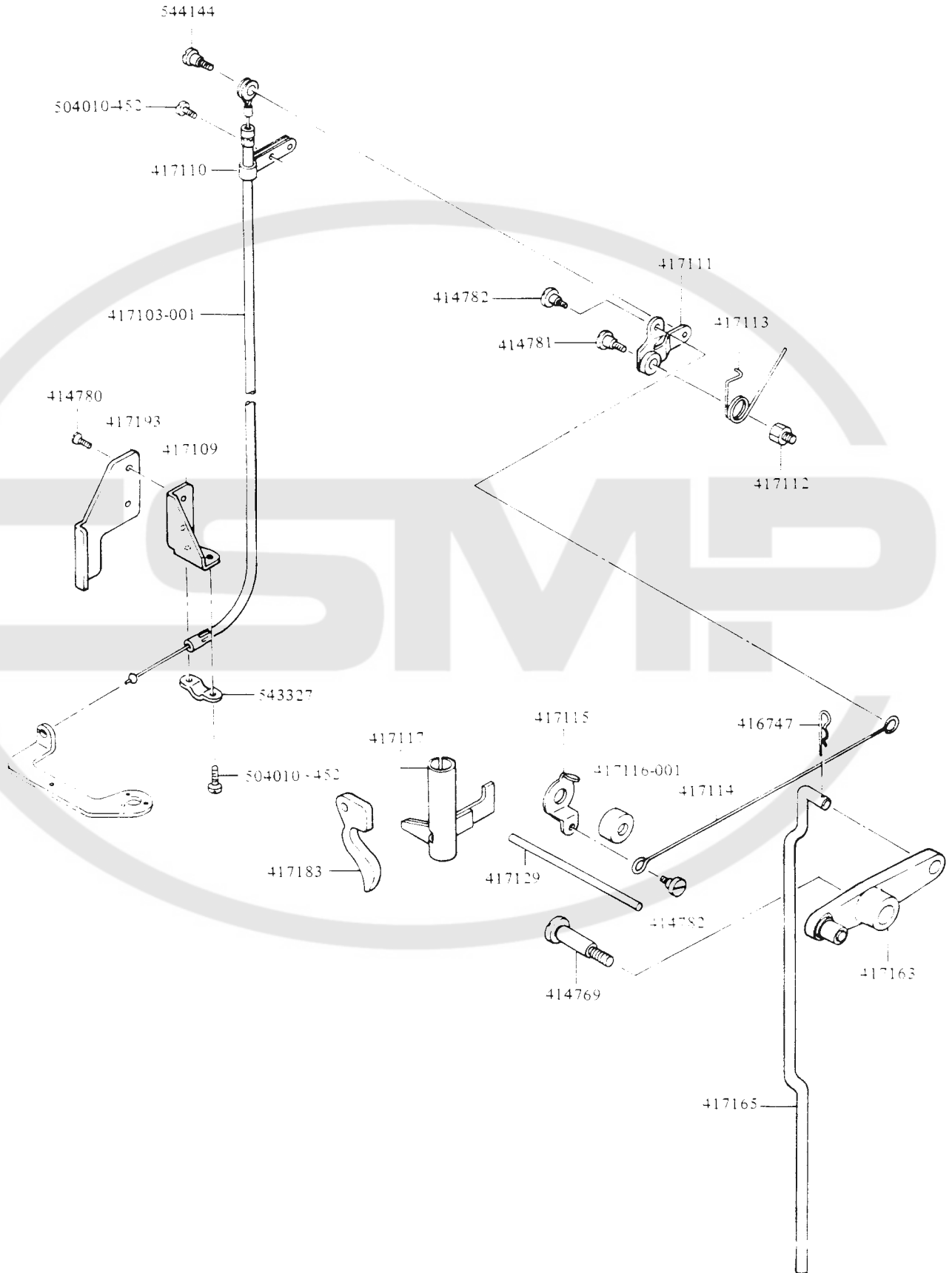
U541GA



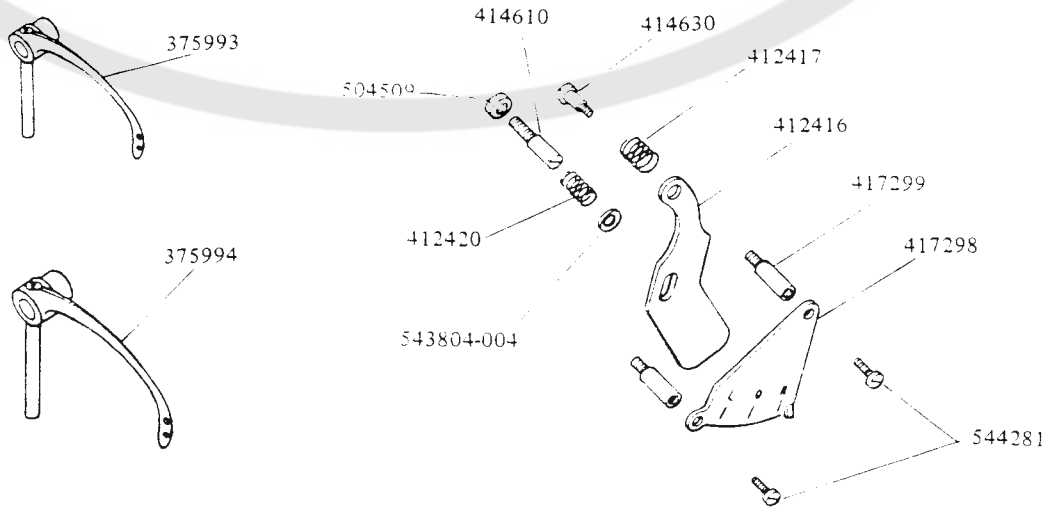
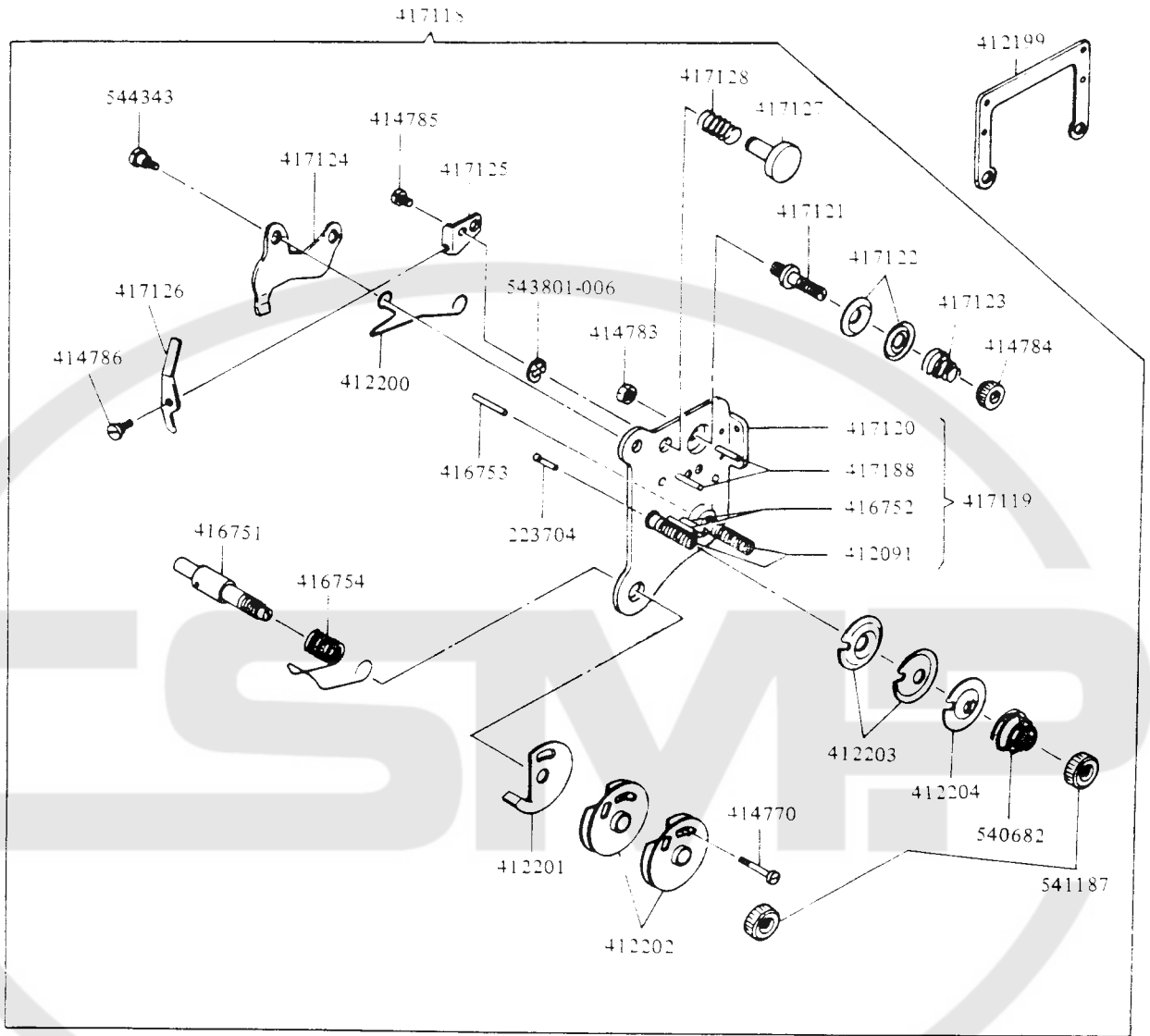
No.	BA		GA		Description
	2120141	2120341	2120141	2120341	
190-850	*	*	*	*	Trimmer Solenoid Arm Stopper Screw (2)
141566	*	*	*	*	Machine Pulley Position Screw
141567	*	*	*	*	Machine Pulley Set Screw
272142	*	*	*	*	Arm Shaft Ball Bearing (Back)
374029	*	*	*	*	Trimmer Cam Set Screw (2)
375967	*	*	*	*	Trimmer Cam
375968	*	*	*	*	Tension Releasing Cam
375989	*	*	*	*	Trimmer Lever Shaft Spring
411786-001	*	*	*	*	Trimmer Solenoid Cord Terminal
411992	*	*	*	*	Trimmer Solenoid Complete 411993, 541165-003 (2), 543805-003 (2)
411993	*	*	*	*	Trimmer Solenoid
411994	*	*	-	-	Trimmer Solenoid Cord Complete
414762	*	*	*	*	Bed Extension Bolt (3)
414773	*	*	*	*	Trimmer Cam Roller Screw
414773	*	*	*	*	Tension Releasing Cam Roller Screw
416770	*	*	*	*	Trimmer Solenoid Bracket
416771	*	*	*	*	Trimmer Solenoid Arm
416772	*	*	*	*	Trimmer Solenoid Arm Pin
416773	*	*	*	*	Trimmer Solenoid Arm Stopper
416774	*	*	*	*	Trimmer Lever Shaft
416775	*	*	*	*	Tension Release Drive Lever Complete 414773, 416776, 416777, 416780, 545409, 549120 (3)
416776	*	*	*	*	Tension Release Drive Lever
416777	*	*	*	*	Tension Release Drive Lever Boss
416778	*	*	*	*	Trimmer Lever Complete 414773, 416779, 416780
416779	*	*	*	*	Trimmer Lever
416780	*	*	*	*	Trimmer Cam Roller
416780	*	*	*	*	Tension Releasing Cam Roller
417182	*	*	*	*	Trimmer Solenoid Bracket Complete 190-850 (2), 411992, 416770, 416771, 416772, 416773, 416774, 416775, 416778, 504134, 545072, 545095
417194	*	*	*	*	Machine Pulley (for UTT) with 272142, 141566, 141567
419025	-	-	*	*	Trimmer, Back Tack Solenoid Cord Complete
504010-452	*	*	*	*	Trimmer Solenoid Cord Clip Screw
504028	*	*	*	*	Tension Releasing Cam Set Screw (2)
504134	*	*	*	*	Trimmer Lever Set Screw
541165-003	*	*	*	*	Trimmer Solenoid Nut (2)
541168-003	*	*	*	*	Bed Extension Bolt Lock Nut (3)
542602	*	*	*	*	Trimmer Solenoid Cord Bushing
542766-002	*	*	*	*	Trimmer Solenoid Cord Clip
543803-002	*	*	*	*	Trimmer Solenoid Cord Clip Washer
543805-003	*	*	*	*	Trimmer Solenoid Washer (2)
544352	*	*	*	*	Trimmer Solenoid Bracket Screw (3)
545072	*	*	*	*	Trimmer Solenoid Arm Pin Screw
545095	*	*	*	*	Trimmer Solenoid Arm Screw
545409	*	*	*	*	Tension Releasing Roller Screw Lock Nut
549120	*	*	*	*	Tension Release Drive Lever Boss Screw (3)



No.	BA		GA		Description
	212U141	212U541	212U141	212U541	
375969	*	*	*	*	Picker (Right)
375970	*	*	*	*	Picker (Left)
375971-008	*	*	*	*	Picker Plate (1/8")
375971-012	*	*	*	*	Picker Plate (3/16")
375971-016	*	*	*	*	Picker Plate (1/4")
375971-020	*	*	*	*	Picker Plate (5/16")
375971-024	*	*	*	*	Picker Plate (3/8")
375971-100	*	*	*	*	Picker Plate (1")
375975	*	*	*	*	Stationary Knife (Right)
375976	*	*	*	*	Stationary Knife (Left)
375977-008	*	*	*	*	Throat Plate (1/8") for UTT
375977-012	*	*	*	*	Throat Plate (3/16") for UTT
375977-016	*	*	*	*	Throat Plate (1/4") for UTT
375977-020	*	*	*	*	Throat Plate (5/16") for UTT
375977-024	*	*	*	*	Throat Plate (3/8") for UTT
375977-100	*	*	*	*	Throat Plate (1") for UTT
375990	*	*	*	*	Picker Return Spring
375991	*	*	*	*	Picker Return Spring Stud
414541	*	*	*	*	Stationary Knife Set Screw (2)
414774	*	*	*	*	Trimmer Rod End (Right) Nut
414775	*	*	*	*	Trimmer Rod End Screw (2)
414777	*	*	*	*	Picker Screw (4)
414778	*	*	*	*	Picker Guide Screw (4)
414797	*	*	*	*	Stationary Knife Adjust Screw (2)
416781-001	*	*	*	*	Trimmer Rod End (Right)
416781-101	*	*	*	*	Trimmer Rod End (Left)
416782	*	*	*	*	Picker Return Spring Hook
416783-002	*	*	*	*	Trimmer Rod
416784	*	*	*	*	Picker Drive Shaft Bracket
416785	*	*	*	*	Picker Drive Arm Stop Pin
416786	*	*	*	*	Picker Drive Arm
416787	*	*	*	*	Picker Drive Shaft
416795	*	*	*	*	Picker Guide (Right)
416796	*	*	*	*	Picker Guide (Left)
417283-008	*	*	*	*	Picker Support Base (1/8")
417283-012	*	*	*	*	Picker Support Base (3/16")
417283-016	*	*	*	*	Picker Support Base (1/4")
417283-020	*	*	*	*	Picker Support Base (5/16")
417283-024	*	*	*	*	Picker Support Base (3/8")
417283-100	*	*	*	*	Picker Support Base (1")
417284	*	*	*	*	Picker Support (Right)
417285	*	*	*	*	Picker Support (Left)
417286	*	*	*	*	Trapper (Right)
417287	*	*	*	*	Trapper (Left)
417291	*	*	*	*	Trapper Spring (Right)
417292	*	*	*	*	Trapper Spring (Left)
417293	*	*	*	*	Picker (Right) (1")
417294	*	*	*	*	Picker (Left) (1")
417295	*	*	*	*	Picker Guide (1") (2)
541166-001	*	*	*	*	Trimmer Rod End (Left) Nut
544445	*	*	*	*	Picker Drive Shaft Bracket Screw (2)
545095	*	*	*	*	Picker Drive Arm Screw
545193	*	*	*	*	Picker Support Set Screw (2)
549120	*	*	*	*	Picker Support Base Screw (2)



No.	BA		GA		Description
	212U141	212U541	212U141	212U541	
		*	*	*	
414769	*	*	*	*	Knee Lifter Connection Lever Hinge Screw
414780	*	*	*	*	Tension Releasing Wire Bracket Screw (2)
414781	*	*	*	*	Tension Releasing Bell Crank Screw
414782	*	*	*	*	Tension Releasing Rod Screw (2)
416747	*	*	*	*	Knee Lifter Connection Lever Lifting Rod Pin
417103-001	*	*	*	*	Tension Releasing Wire Complete
417109	*	*	*	*	Tension Releasing Wire Bracket
417110	*	*	*	*	Tension Releasing Wire Clamp (Upper)
417111	*	*	*	*	Tension Releasing Bell Crank Complete
417112	*	*	*	*	Tension Releasing Bell Crank Stud
417113	*	*	*	*	Tension Releasing Ring Return Spring
417114	*	*	*	*	Tension Releasing Rod
417115	*	*	*	*	Tension Releasing Ring
417116-001	*	*	*	*	Tension Releasing Ring Spacer
417117	*	*	*	*	Presser Bar Lifting Releasing Lever Bracket (for UTT)
417129	*	*	*	*	Tension Release Plate Rod (for UTT)
417163	*	*	*	*	Knee Lifter Connection Lever Complete
417165	*	*	*	*	Knee Lifter Connection Lever Lifting Rod (for UTT)
417183	*	*	*	*	Presser Bar Lifter
417193	*	*	*	*	Tension Release Drive Lever Stop
504010-452	*	*	*	*	Tension Releasing Wire Clamp (Upper) Screw (2)
504010-452	*	*	*	*	Tension Releasing Wire Clamp (Lower) Screw (2)
543327	*	*	*	*	Tension Releasing Wire Clamp (Lower)
544144	*	*	*	*	Tension Releasing Wire Sheave Screw

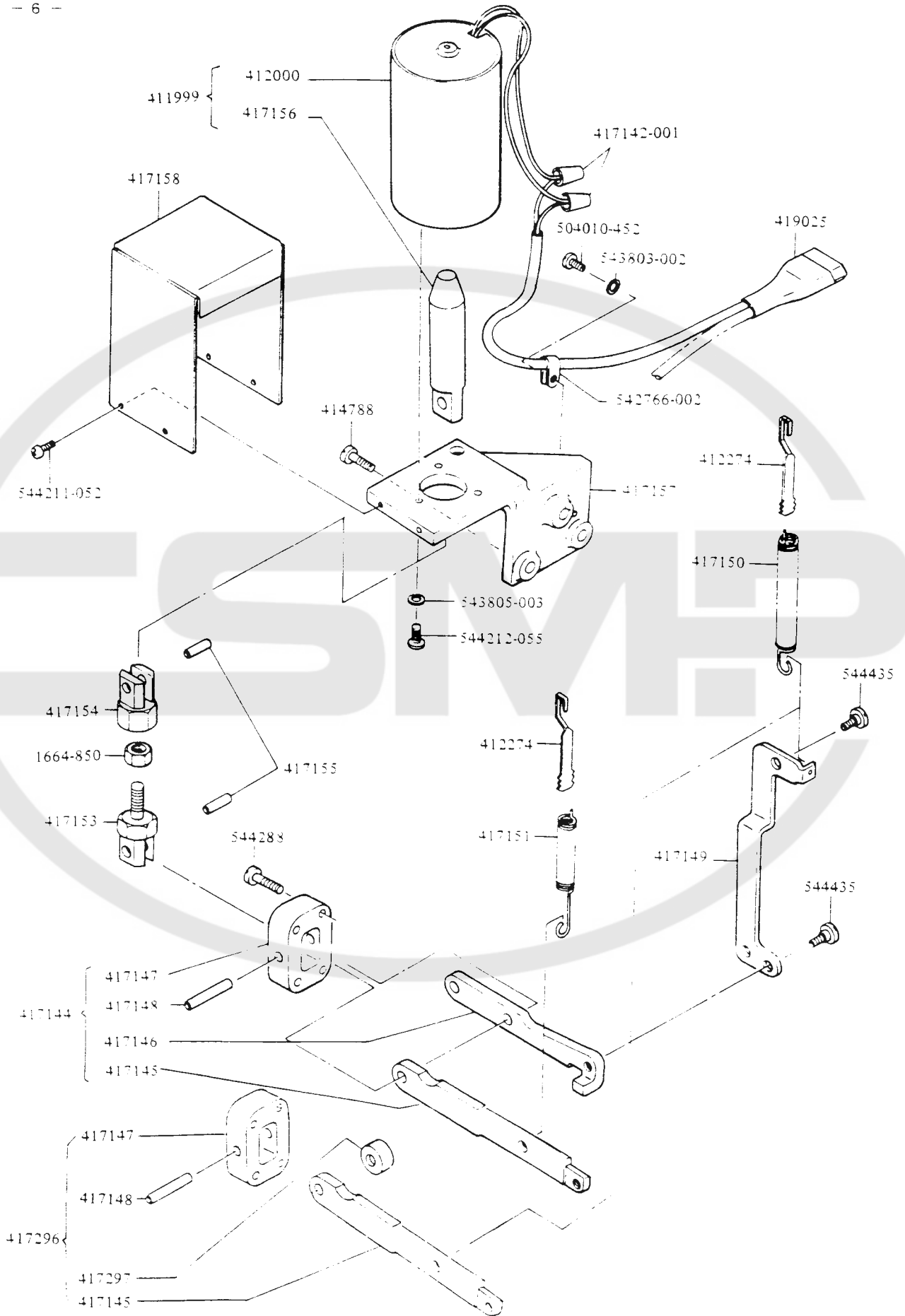




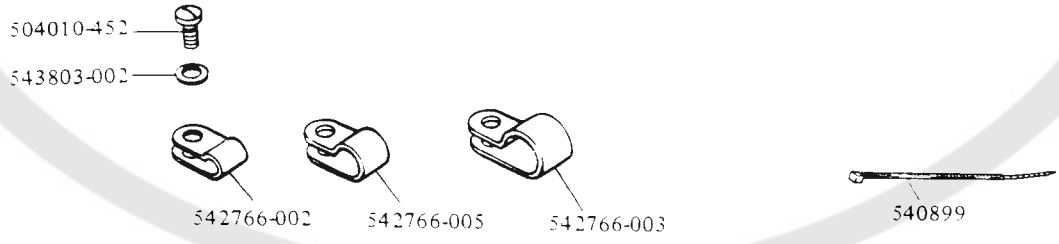
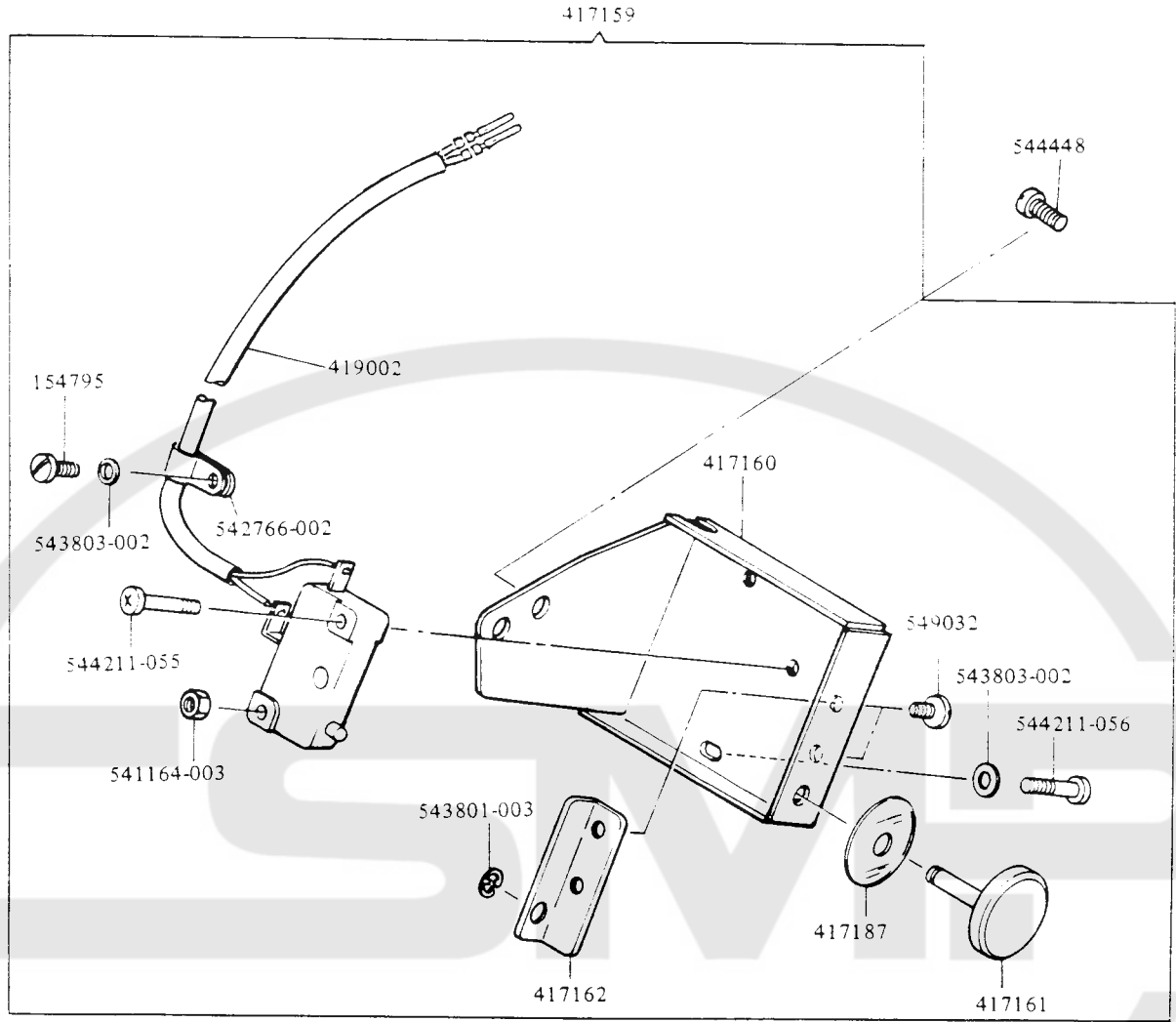
No.	BA						GA						Description
	2120141	2120541	2120143	2120144	2120543	2120544	2120141	2120541	2120143	2120144	2120543	2120544	
223704	*	*	-	-	-	-	*	*	-	-	-	-	Tension Release Plunger (Short)
375993	*	-	*	*	-	-	*	-	*	*	-	-	Take-up Lever (for U.T.T.)
375994	*	*	-	-	*	*	*	*	-	-	*	*	Take-up Lever (for U.T.T.)
412091	*	*	-	-	-	-	*	*	-	-	-	-	Tension Stud (2)
412199	*	*	-	-	-	-	*	*	-	-	-	-	Thread Guide
412200	*	*	-	-	-	-	*	*	-	-	-	-	Tension Release Plate Spring
412201	*	*	-	-	-	-	*	*	-	-	-	-	Thread Controller Spring Stop
412202	*	*	-	-	-	-	*	*	-	-	-	-	Thread Controller Disc (2)
412203	*	*	-	-	-	-	*	*	-	-	-	-	Tension Disc (4)
412204	*	*	-	-	-	-	*	*	-	-	-	-	Tension Release Washer (2)
412416	-	-	*	*	-	-	-	-	*	*	-	-	Releasing Lever
412417	-	-	*	*	-	-	-	-	*	*	-	-	Releasing Lever Hinge Screw Spring
412420	-	-	*	*	-	-	-	-	*	*	-	-	Releasing Lever Stud Spring
414610	-	-	*	*	-	-	-	-	*	*	-	-	Releasing Lever Stud
414630	-	-	*	*	-	-	-	-	*	*	-	-	Releasing Lever Hinge Screw
414770	*	*	-	-	-	-	*	*	-	-	-	-	Thread Controller Disc Screw
414783	*	*	-	-	-	-	*	*	-	-	-	-	Pre-Tension Stud Lock Nut
414784	*	*	-	-	-	-	*	*	-	-	-	-	Pre-Tension Thumb Nut (2)
414785	*	*	-	-	-	-	*	*	-	-	-	-	Tension Release Lever Bracket Screw
414786	*	*	-	-	-	-	*	*	-	-	-	-	Tension Release Lever Screw
416751	*	*	-	-	-	-	*	*	-	-	-	-	Thread Controller Stud
416752	*	*	-	-	-	-	*	*	-	-	-	-	Tension Disc Position Pin (Long)
416753	*	*	-	-	-	-	*	*	-	-	-	-	Tension Release Plunger (Long)
416754	*	*	-	-	-	-	*	*	-	-	-	-	Thread Controller Spring
417118	*	*	-	-	-	-	*	*	-	-	-	-	Tension Bracket Complete (for UTT)
417119	*	*	-	-	-	-	*	*	-	-	-	-	Tension Bracket Body Complete 412091 (2), 416752 (2), 417120, 417188 (2)
417120	*	*	-	-	-	-	*	*	-	-	-	-	Tension Bracket Body
417121	*	*	-	-	-	-	*	*	-	-	-	-	Pre-Tension Stud (2)
417122	*	*	-	-	-	-	*	*	-	-	-	-	Pre-Tension Disc (4)
417123	*	*	-	-	-	-	*	*	-	-	-	-	Pre-Tension Spring (2)
417124	*	*	-	-	-	-	*	*	-	-	-	-	Tension Release Plate
417125	*	*	-	-	-	-	*	*	-	-	-	-	Tension Release Lever Bracket
417126	*	*	-	-	-	-	*	*	-	-	-	-	Tension Release Lever
417127	*	*	-	-	-	-	*	*	-	-	-	-	Tension Release Button
417128	*	*	-	-	-	-	*	*	-	-	-	-	Tension Release Button Spring
417188	*	*	-	-	-	-	*	*	-	-	-	-	Thread Guide Pin (2)
417298	-	-	*	*	*	*	-	-	*	*	*	*	Change Over Lever Cover Plate
417299	-	-	*	*	*	*	-	-	*	*	*	*	Change Over Lever Cover Plate Stud (2)
504307	-	-	*	*	*	*	-	-	*	*	*	*	Releasing Lever Stud Spring
540682	*	*	-	-	-	-	*	*	-	-	-	-	Tension Spring (2)
541187	*	*	-	-	-	-	*	*	-	-	-	-	Tension Thumb Nut (3)
543801-006	*	*	-	-	-	-	*	*	-	-	-	-	Tension Release Button Retaining Ring
543804-004	-	-	*	*	-	-	-	-	*	*	-	-	Releasing Lever Stud Washer
544281	-	-	*	*	*	*	-	-	*	*	*	*	Change Over Lever Cover Plate Screw (2)
544343	*	*	-	-	-	-	*	*	-	-	-	-	Tension Release Plate Screw



No.	BA		GA		Description
	212U141	212U541	212U141	212U541	
411995	*	*	*	*	Wiper Solenoid Complete 411996, 417138, 541165-003 (2), 543805-003 (2)
411996	*	*	*	*	Wiper Solenoid
411997	*	*	*	*	Wiper Solenoid Cord Complete
411998	*	*	*	*	Wiper Switch
414787	*	*	*	*	Wiper Arm Screw
416771	*	*	*	*	Wiper Solenoid Arm
416772	*	*	*	*	Wiper Solenoid Arm Pin
417130	*	*	*	*	Wiper Complete 411995, 411997, 411998, 416771, 416772, 417140, 417142-001, 417143, 417152, 504145-452(3), 542766-002, 543803-002, 544431-051(2), 545072, 545095, 549032(2)
417131	*	*	*	*	Wiper Bracket
417132	*	*	*	*	Wiper Arm
417133	*	*	*	*	Wiper Wire Clamp
417134	*	*	*	*	Wiper Wire (Right)
417135	*	*	*	*	Wiper Wire (Left)
417136	*	*	*	*	Wiper Wire Guide (2)
417137	*	*	*	*	Wiper Spring Hook
417138	*	*	*	*	Wiper Solenoid Cover
417140	*	*	*	*	Wiper Switch Bracket
417141-002	*	*	*	*	Wiper Solenoid Cord Grommet
417142-001	*	*	*	*	Wiper Solenoid Cord Connector
417143	*	*	*	*	Wiper Switch Cover
417152	*	*	*	*	Wiper Bracket Complete 414787, 417131, 417132, 417133, 417134, 417135, 417136 (2), 417137, 504010-452 (4), 543801-006 (2), 545072 (2), 545307 (2), 548091
504010-452	*	*	*	*	Wiper Wire Guide Screw (4)
504145-452	*	*	*	*	Wiper Switch Bracket Screw (2)
504145-452	*	*	*	*	Wiper Solenoid Cord Clip Screw
541165-003	*	*	*	*	Wiper Solenoid Nut (2)
542766-002	*	*	*	*	Wiper Solenoid Cord Clip
543801-006	*	*	*	*	Wiper Wire Clamp Retaining Ring (Right)
543803-002	*	*	*	*	Wiper Solenoid Cord Clip Washer
543805-003	*	*	*	*	Wiper Solenoid Washer (2)
543858-006	*	*	*	*	Wiper Wire Clamp Retaining Ring (Left)
544282	*	*	*	*	Wiper Bracket Screw (2)
544431-051	*	*	*	*	Wiper Switch Screw (2)
545072	*	*	*	*	Wiper Solenoid Arm Pin Screw
545072	*	*	*	*	Wiper Wire Clamp Screw (2)
545095	*	*	*	*	Wiper Solenoid Arm Screw
545307	*	*	*	*	Wiper Spring Hook Screw (2)
548091	*	*	*	*	Wiper Spring
549032	*	*	*	*	Wiper Switch Cover Screw (2)



No.	BA		GA		Description
	2120141	2120541	2120141	2120541	
1664-850	-	-	*	*	Back Tack Solenoid Adapter Nut
411999	-	-	*	*	Back Tack Solenoid Complete 412000, 417156
412000	-	-	*	*	Back Tack Solenoid
412274	*	*	*	*	Feed Reversing Lever Spring Hook (2)
414788	-	-	*	*	Back Tack Solenoid Bracket Screw (3)
417142-001	-	-	*	*	Back Tack Solenoid Wire Connector (2)
417144	-	-	*	*	Feed Reversing Lever Complete (for UTT) 417145, 417146, 417147, 417148
417145	-	-	*	*	Feed Reversing Lever (for UTT)
417146	-	-	*	*	Feed Reversing Attachment Lever
417147	-	-	*	*	Feed Reversing Lever Bracket (for UTT)
417148	-	-	*	*	Feed Reversing Lever Hinge Pin (for UTT)
417149	-	-	*	*	Feed Reversing Lever Link (for UTT)
417150	*	*	*	*	Feed Reversing Link Spring
417151	-	-	*	*	Feed Reversing Lever Spring (for UTT)
417153	-	-	*	*	Back Tack Solenoid Adapter (Lower)
417154	-	-	*	*	Back Tack Solenoid Adapter (Upper)
417155	-	-	*	*	Back Tack Solenoid Adapter Pin (2)
417156	-	-	*	*	Back Tack Solenoid Plunger
417157	-	-	*	*	Back Tack Solenoid Bracket
417158	-	-	*	*	Back Tack Solenoid Cover
417296	*	*	-	-	Feed Reversing Lever Complete (for UTT) 417145, 417147, 417148, 417297
417297	*	*	-	-	Feed Reversing Lever Collar
419025	-	-	*	*	Trimmer, Back Tack Solenoid Cord Complete
504010-452	-	-	*	*	Back Tack Solenoid Cord Clip Screw
542766-002	-	-	*	*	Back Tack Solenoid Cord Clip
543803-002	-	-	*	*	Back Tack Solenoid Cord Clip Washer
543805-003	-	-	*	*	Back Tack Solenoid Washer (3)
544211-052	-	-	*	*	Back Tack Solenoid Cover Screw (4)
544212-055	-	-	*	*	Back Tack Solenoid Screw (3)
544288	*	*	*	*	Feed Reversing Lever Bracket Screw (4)
544435	*	*	*	*	Feed Reversing Lever Hinge Screw (2)



ACCESSORIES

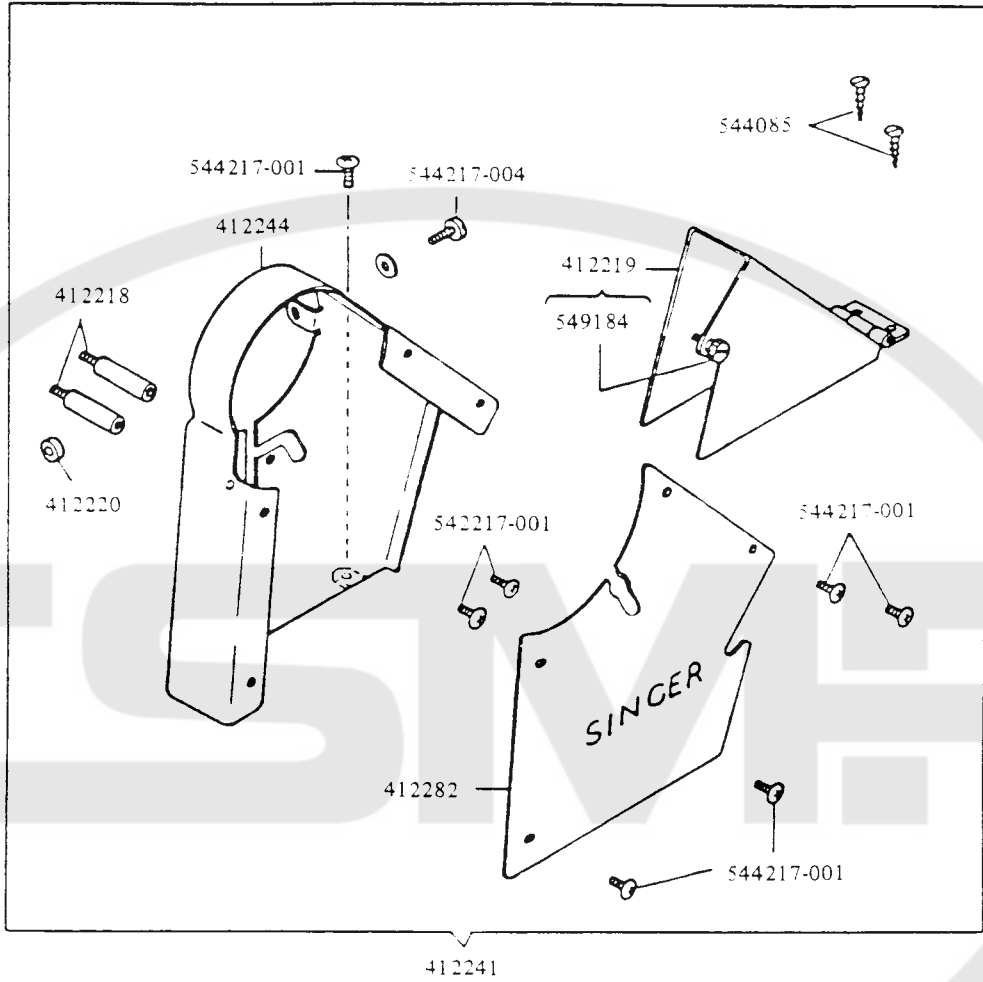


No.	BA		GA		Description
	2120141	2120541	2120141	2120541	
154795	-	-	*	*	Back Tack Switch Cord Clip Screw
417159	-	-	*	*	Back Tack Switch Box Complete 417160, 417161, 417162, 417187, 541164-003, 542766-002, 543801-003, 543803-002 (2), 544211-055, 544211-056, 549032
417160	-	-	*	*	Back Tack Switch Box
417161	-	-	*	*	Back Tack Switch Push Rod Complete
417162	-	-	*	*	Back Tack Switch Push Rod Guide
417187	-	-	*	*	Back Tack Switch Push Rod Cushion
419002	-	-	*	*	Back Tack Switch Complete
504010-452	*	*	*	*	Cord Clip (Rear) Screw (3)
540899	*	*	*	*	Cord Retainer (Rear)
541164-003	-	-	*	*	Back Tack Switch Screw Lock Nut
542766-002	-	-	*	*	Back Tack Switch Cord Clip
542766-002	*	*	-	-	Cord Clip (Rear) Small
542766-003	-	-	*	*	Cord Clip (Rear) Large
542766-005	*	*	*	*	Cord Clip (Rear) Medium
543801-003	-	-	*	*	Back Tack Switch Push Rod Retaining Ring
543803-002	-	-	*	*	Back Tack Switch Washer
543803-002	-	-	*	*	Back Tack Switch Cord Clip Washer
543803-002	*	*	*	*	Cord Clip (Rear) Washer (3)
544211-055	*	-	*	*	Back Tack Switch Screw (Short)
544211-056	-	-	*	*	Back Tack Switch Screw (Long)
544448	-	-	*	*	Back Tack Switch Box Complete Screw (2)
549032	-	-	*	*	Back Tack Switch Push Rod Guide Screw (2)

**ACCESSORIES**

No.	BA		GA		Description
	2120141	2120541	2120141	2120541	
125314	*	*	*	*	Tension Spring (2)
417191	-	-	*	*	Machine Rest Pin (for UTT)
417195	*	-	*	-	Anti Spill Spring (2)
417240	-	-	*	-	Bobbin (4)
417268	-	*	-	*	Bobbin (4)
417269	-	*	-	*	Anti Spill Spring (2)

OPTIONAL PARTS





OPTIONAL PARTS

No.	BA		GA		Description
	212U141	212U541	212U141	212U541	
	*	*	*	*	
412218	*	*	*	*	Belt Guard Screw Stud (2)
412219	*	*	*	*	Belt Guard (lower) with 549184
412220	*	*	*	*	Belt Guard Screw Collar
412241	*	*	*	*	Belt Guard Cpl. 412218 (2), 412219, 412220, 412244, 412282, 544085 (2), 544217-001 (7), 544217-004
412244	*	*	*	*	Belt Guard
412282	*	*	*	*	Belt Guard Plate
544085	*	*	*	*	Belt Guard (lower) Wood Screw (2)
544217-001	*	*	*	*	Belt Guard Screw (3)
544217-001	*	*	*	*	Belt Guard Plate Screw (4)
544217-004	*	*	*	*	Belt Guard Screw (long)
549184	*	*	*	*	Belt Guard (lower) Thumb Screw

