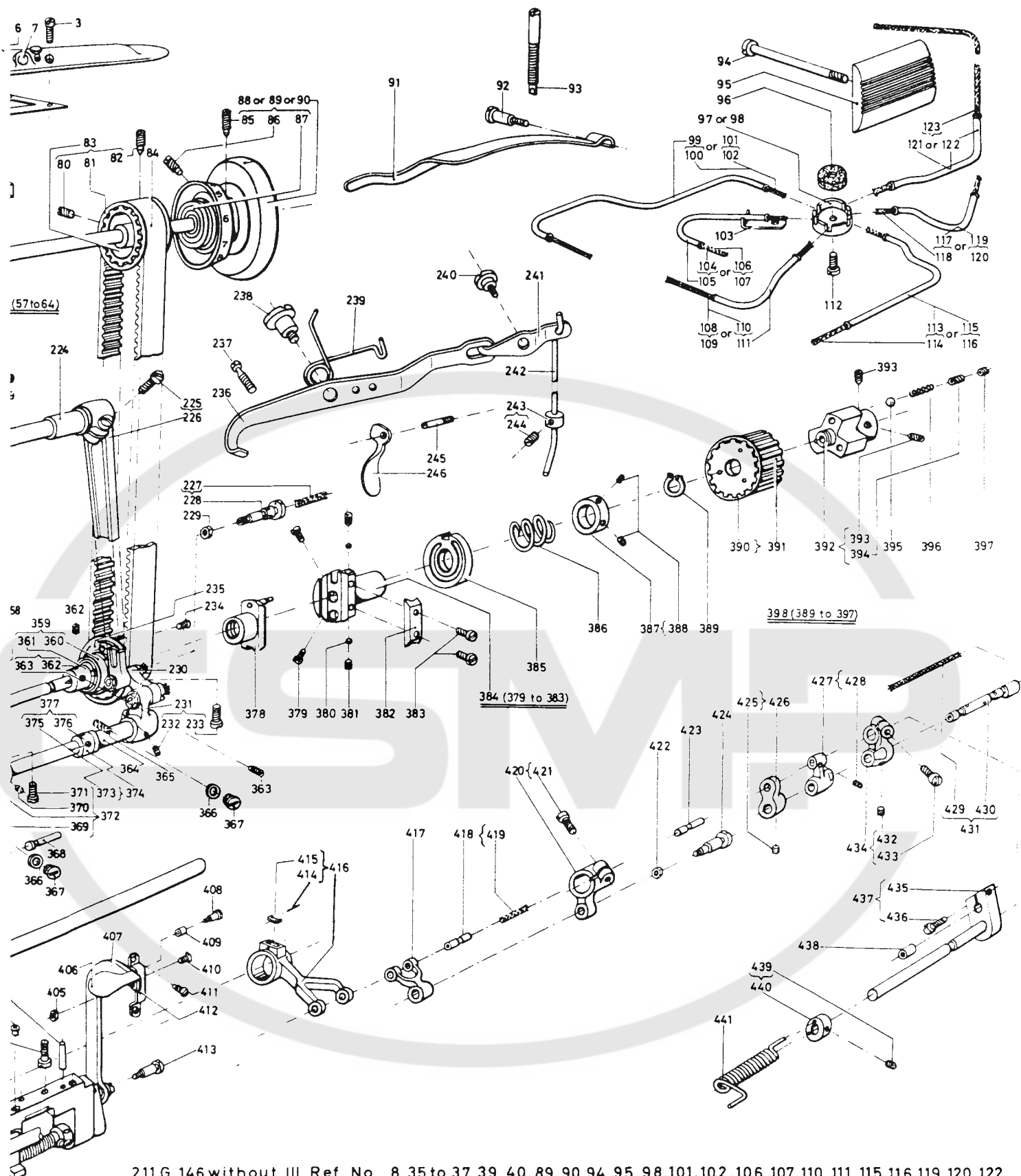


A large, light gray watermark of the Singer logo is centered on the page. It features a semi-circular arch at the top and bottom, with the word "SINGER" in a bold, sans-serif font in the middle. Below "SINGER" are the model numbers "211G146,G151,G157" in a smaller, bold, sans-serif font. At the bottom of the arch is the word "CSMP" in a very large, bold, sans-serif font.

SINGER

211G146,G151,G157

CSMP



- 211 G 146 without Ill. Ref. No. 8, 35 to 37, 39, 40, 89, 90, 94, 95, 98, 101, 102, 106, 107, 110, 111, 115, 116, 119, 120, 122, 145, 148 to 163, 210 to 233, 249, 323 to 326, 341, 375 to 377, 399 to 441
- 211 G 151 without Ill. Ref. No. 9, 10, 12, 13, 16 to 18, 38, 39, 41 to 43, 88, 90, 101, 102, 106, 107, 110, 111, 115, 116, 119, 120, 122, 146, 154, 155, 171 to 192, 194, 196 to 205, 207, 248, 321, 322, 341, 375 to 377, 399 to 441
- 211 G 157 without Ill. Ref. No. 9, 35 to 38, 88, 89, 97, 99, 100, 104, 105, 108, 109, 113, 114, 117, 118, 121, 146, 150 to 153, 171 to 192, 194, 196 to 205, 207, 248, 321, 322, 341, 354 to 357, 368 to 374

SINGER

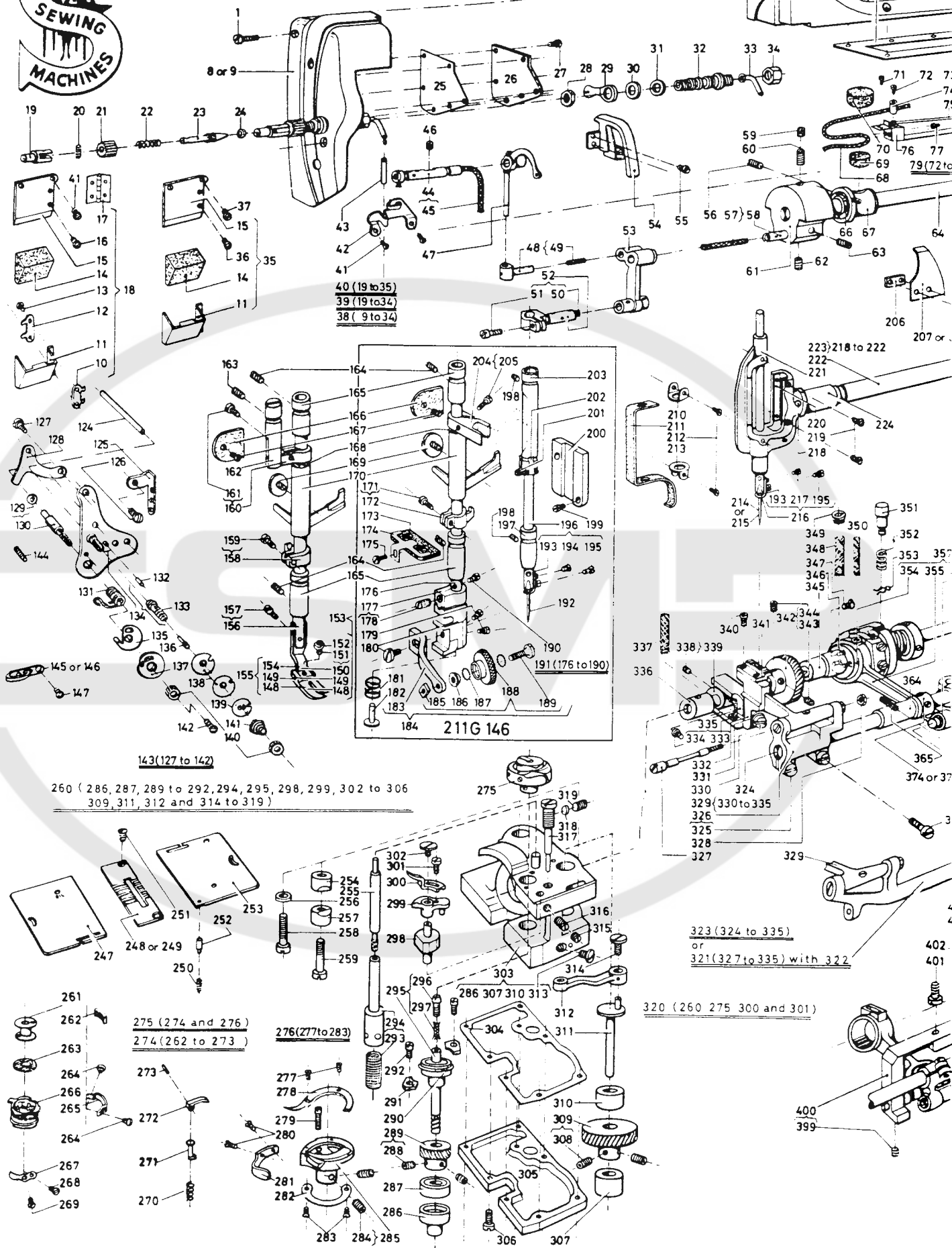
211G 146, 211G 151, 211G 157

Copyright © 1966 by THE SINGER COMPANY Form 30-290 G (Rev. 766) Printed in WESTERN GERMANY

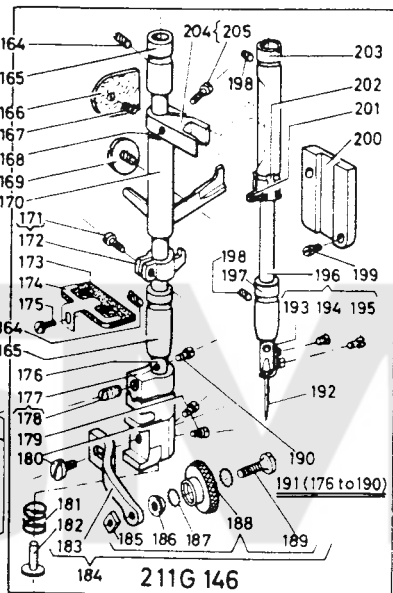


THE SINGER COMPANY

* A Trademark of THE SINGER COMPANY



40 (19 to 35)
39 (19 to 34)
38 (9 to 34)



211G 146

143 (127 to 142)

260 (286, 287, 289 to 292, 294, 295, 298, 299, 302 to 306, 309, 311, 312 and 314 to 319)

323 (324 to 335)
or
321 (327 to 335) with 322

320 (260, 275, 300 and 301)

275 (274 and 276)
274 (262 to 273)

276 (277 to 283)

400
399

ACCESSORIES FOR 211G 146/151/157

