



**SINGER**  
133K2,K3

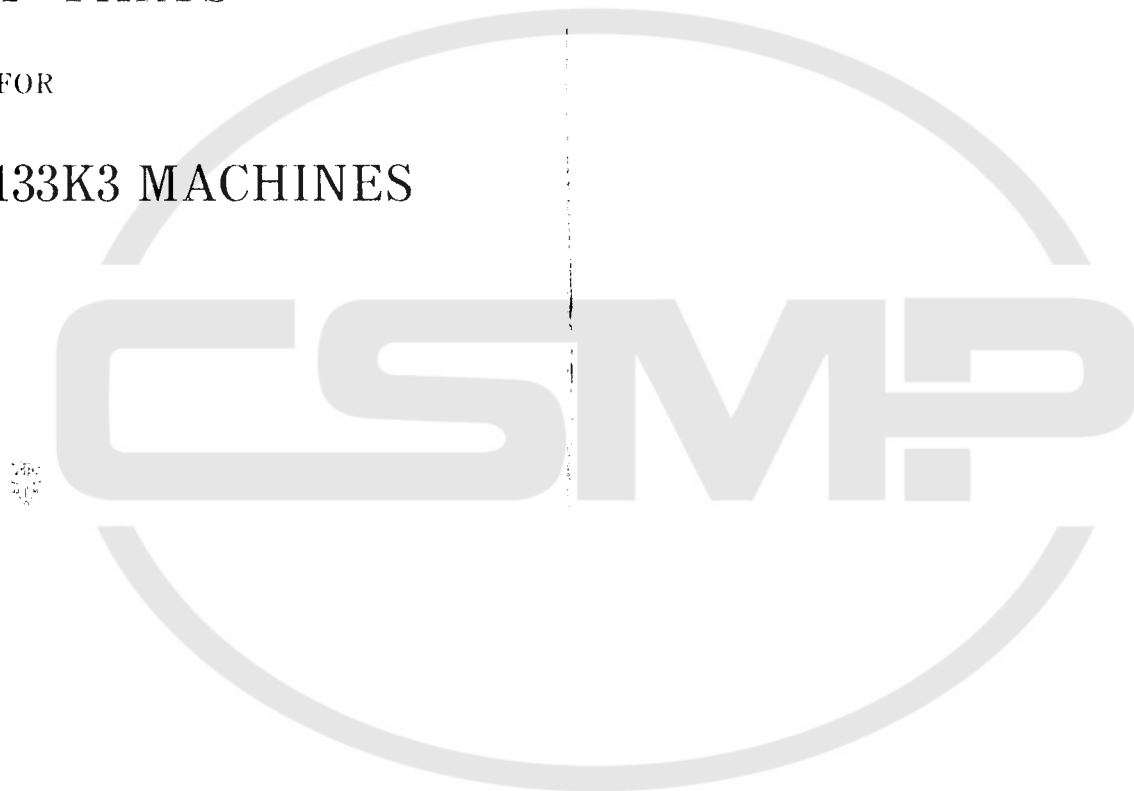
**CSMP**

Form K4841  
(Sup. K4221)  
Printed in Gt. Britain  
(334)

ILLUSTRATED  
LIST OF PARTS

FOR

Nos. 133K2 and 133K3 MACHINES

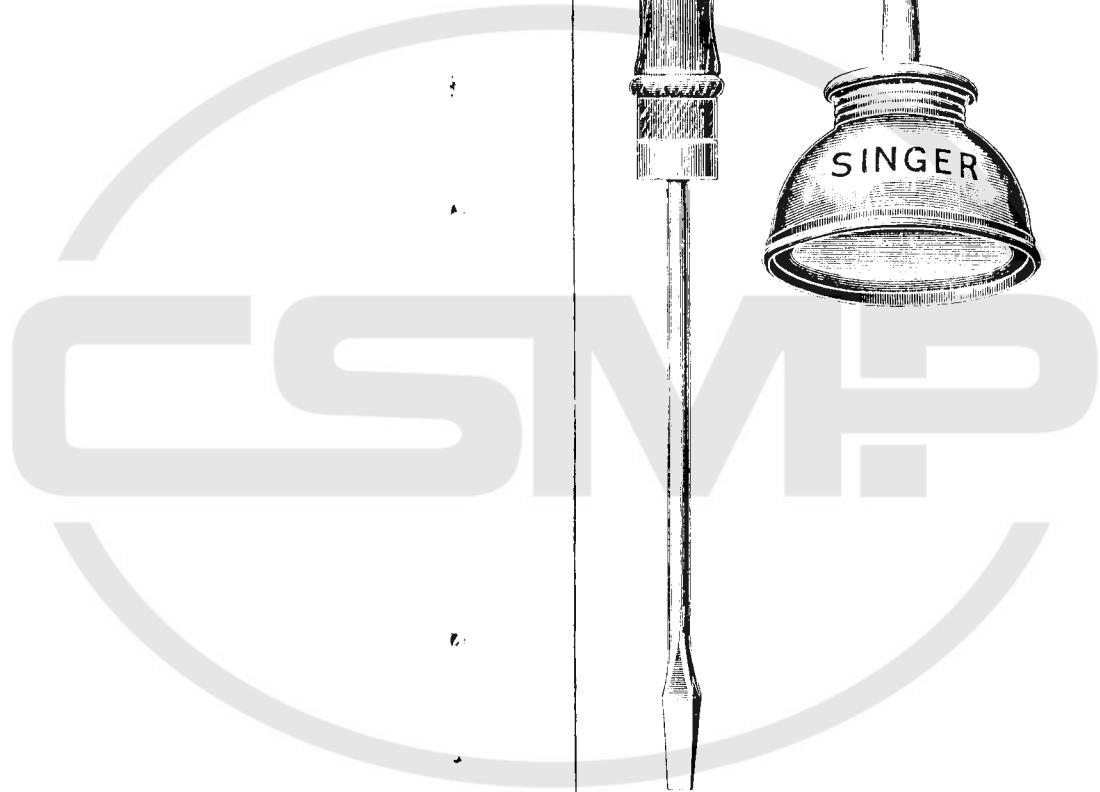
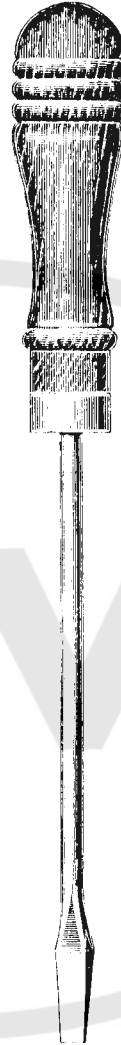


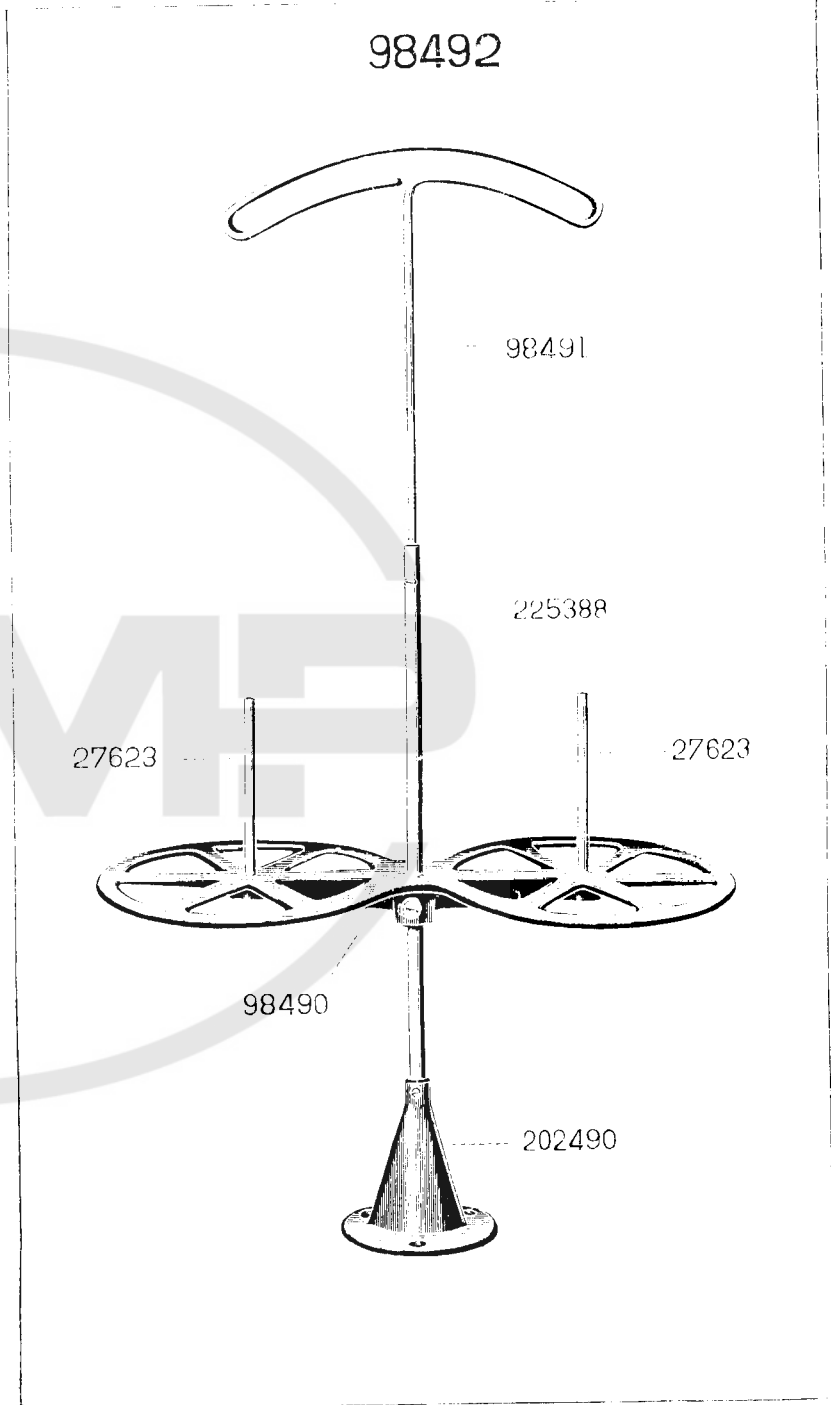
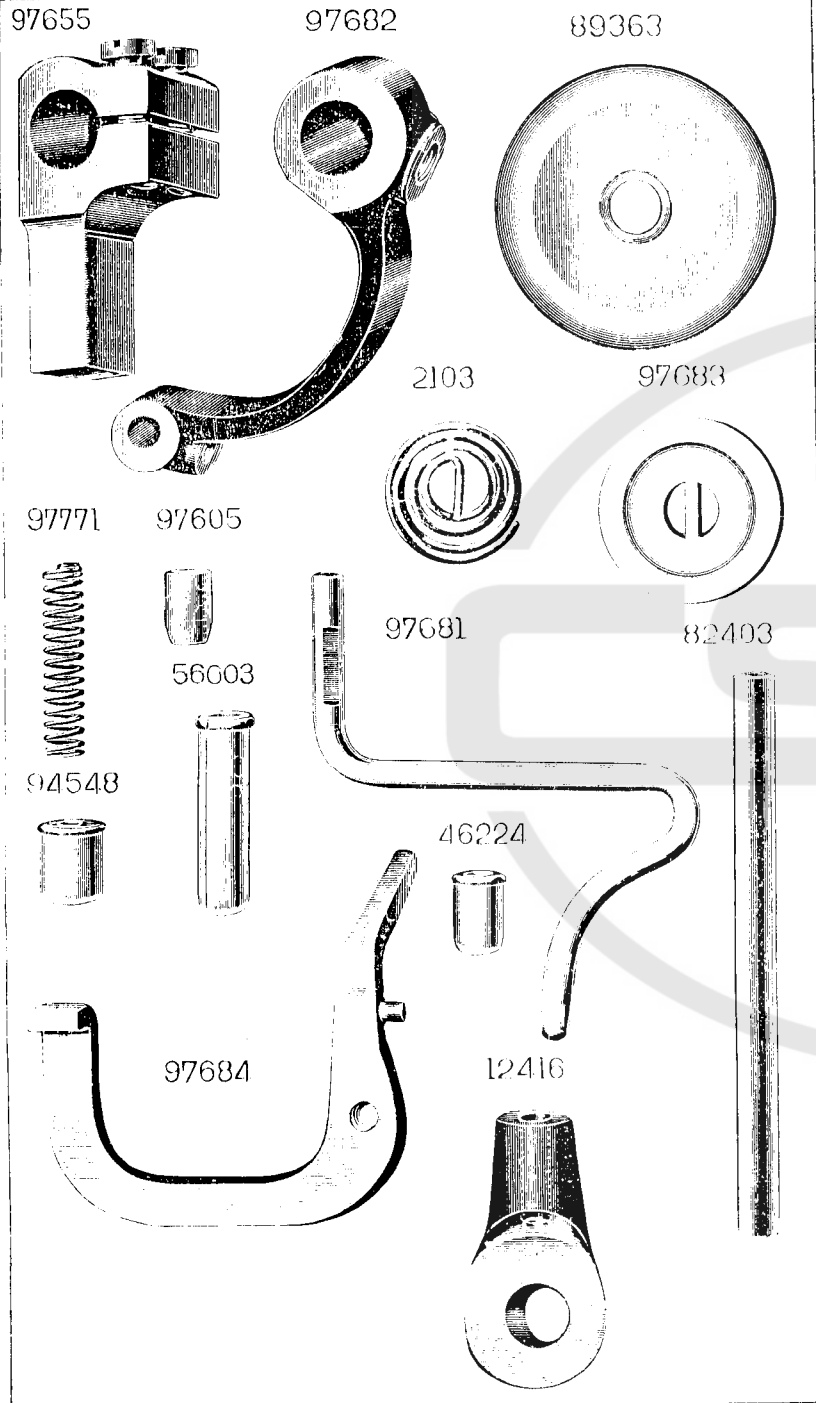
THE SINGER MANUFACTURING COMPANY

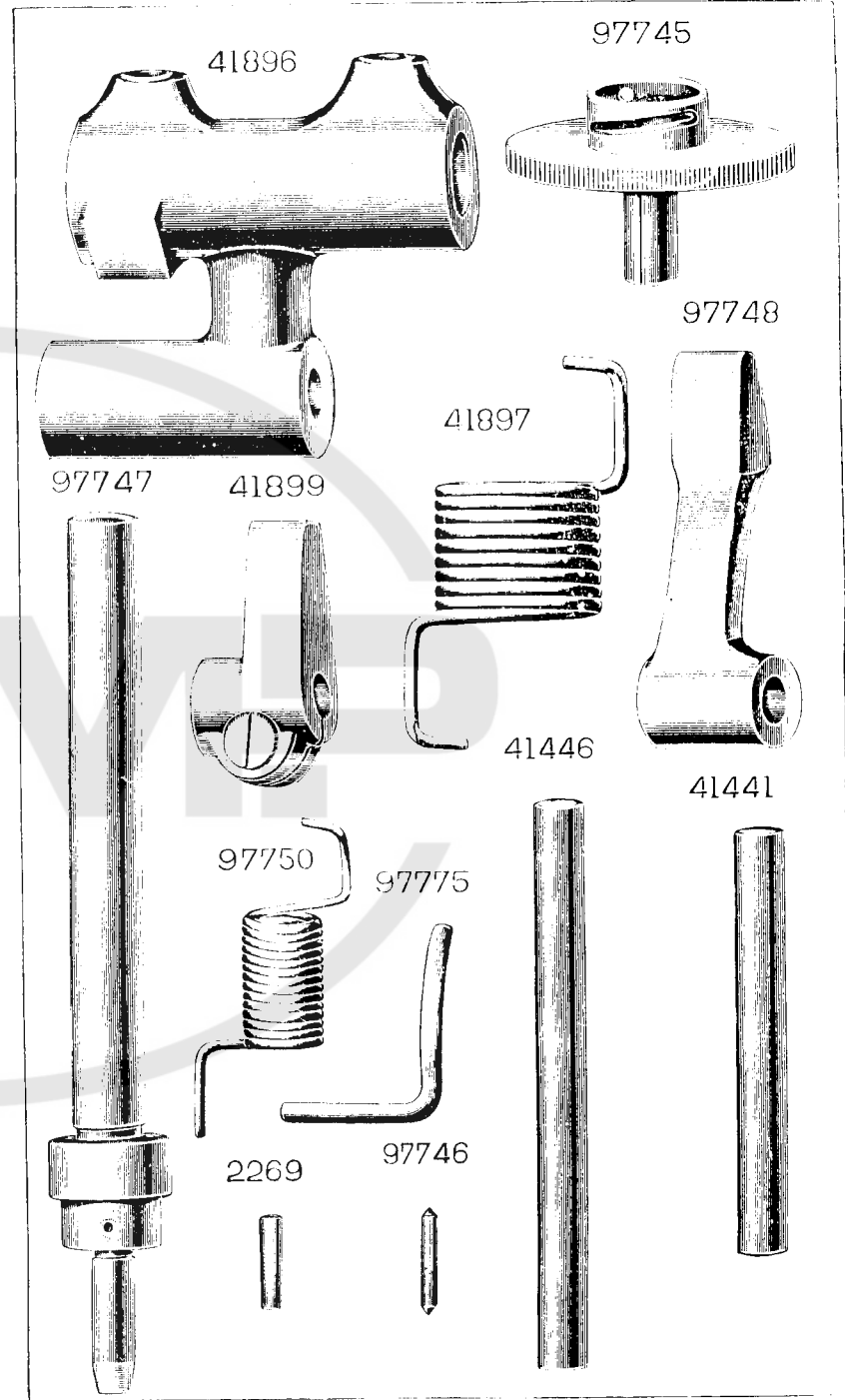
*All rights reserved.*

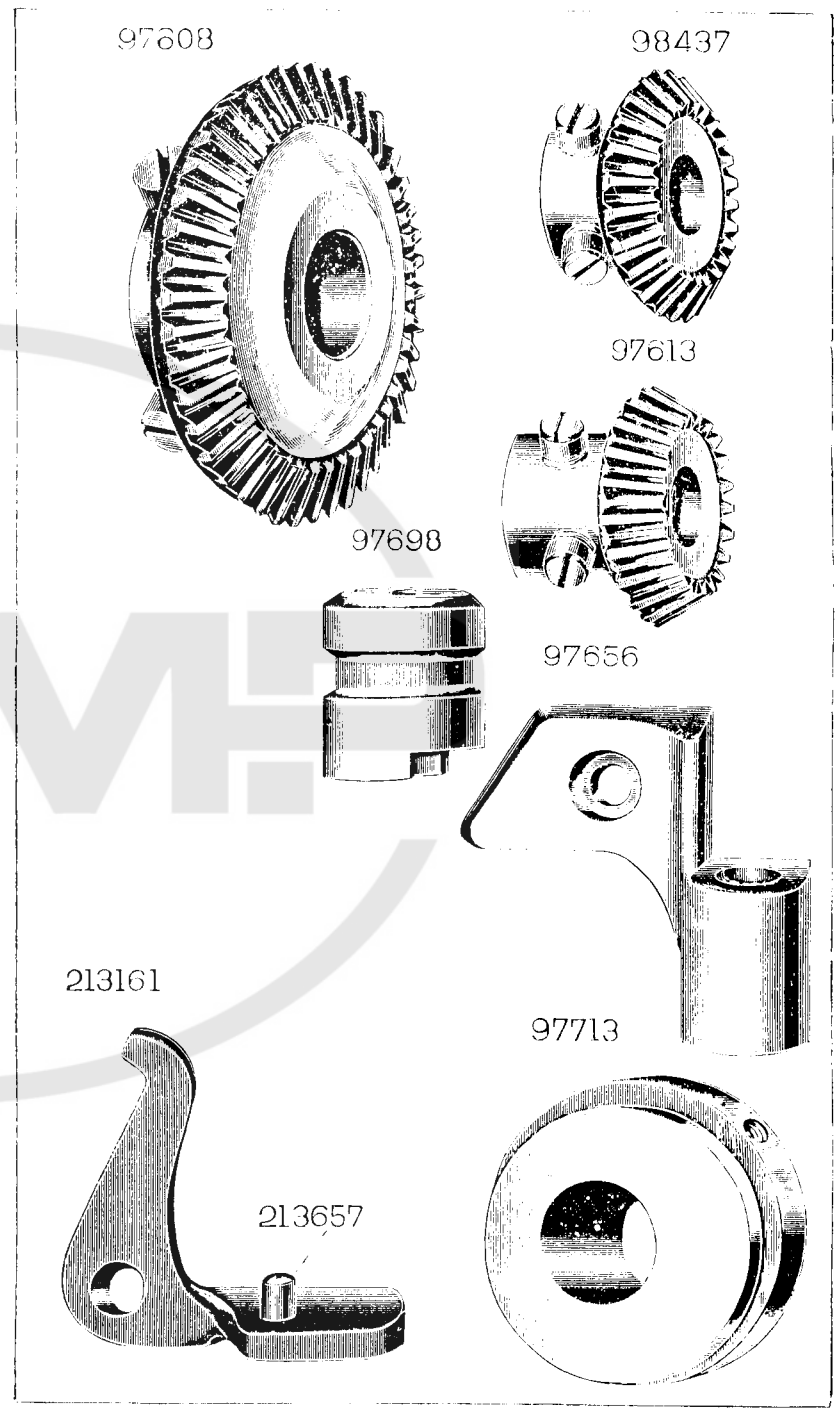
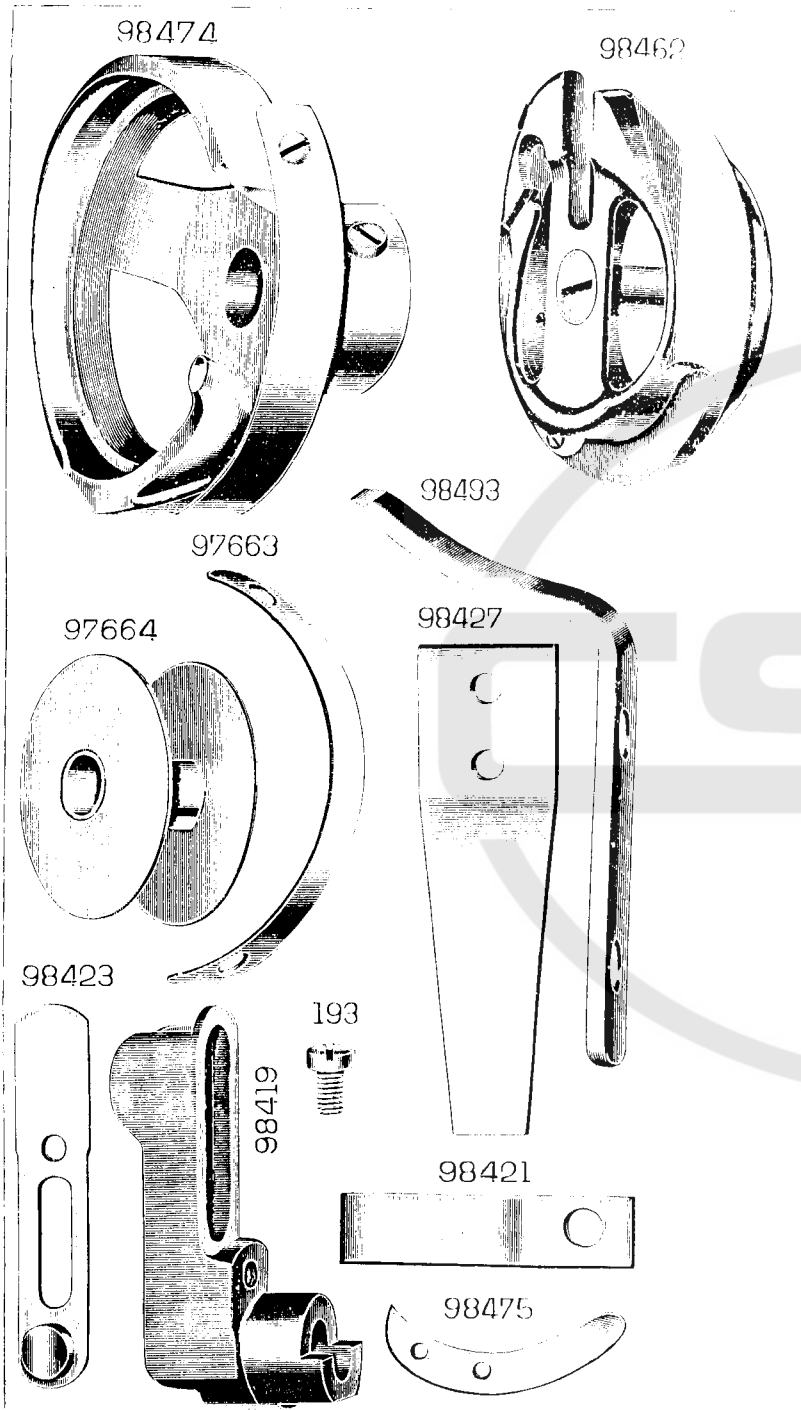
11831

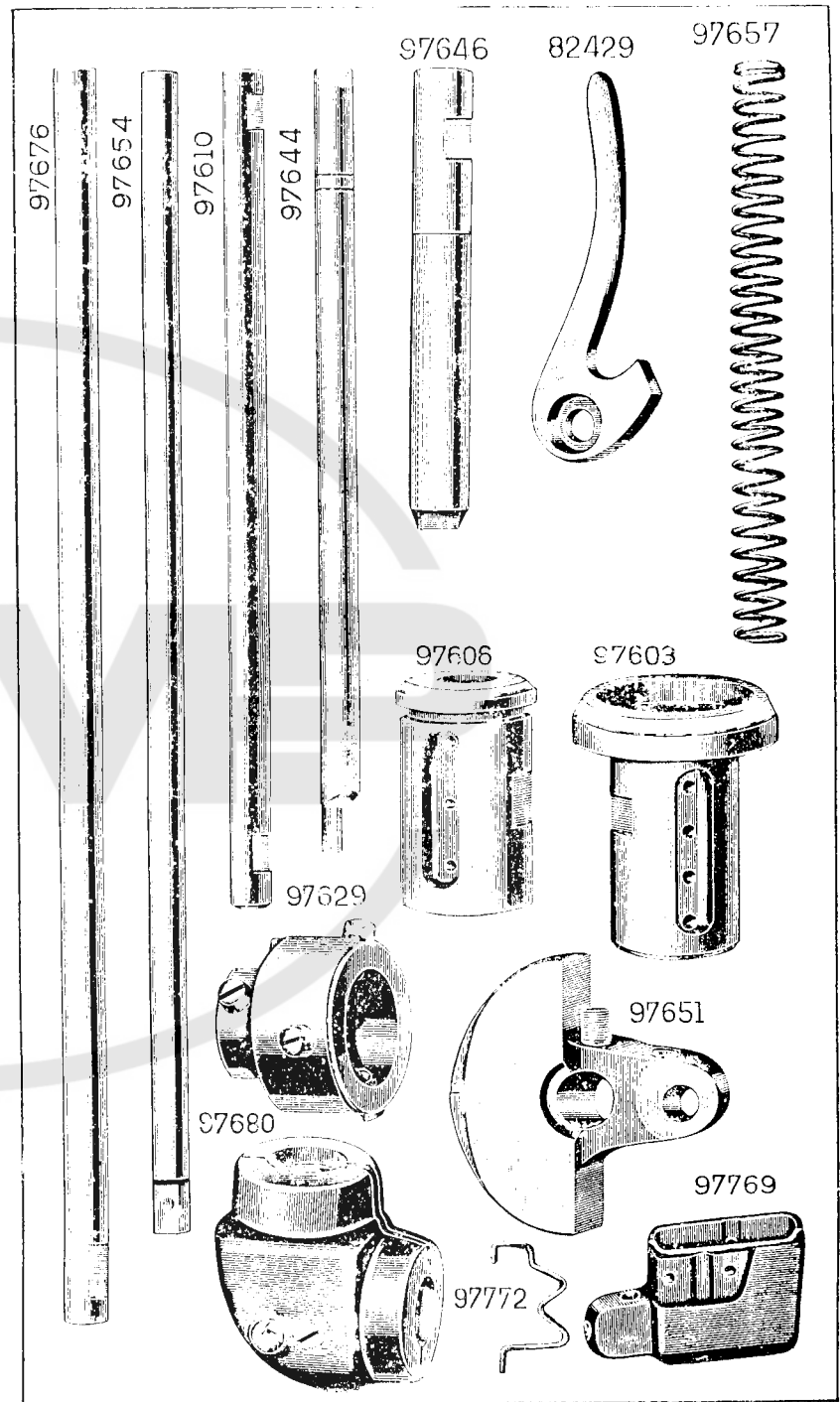
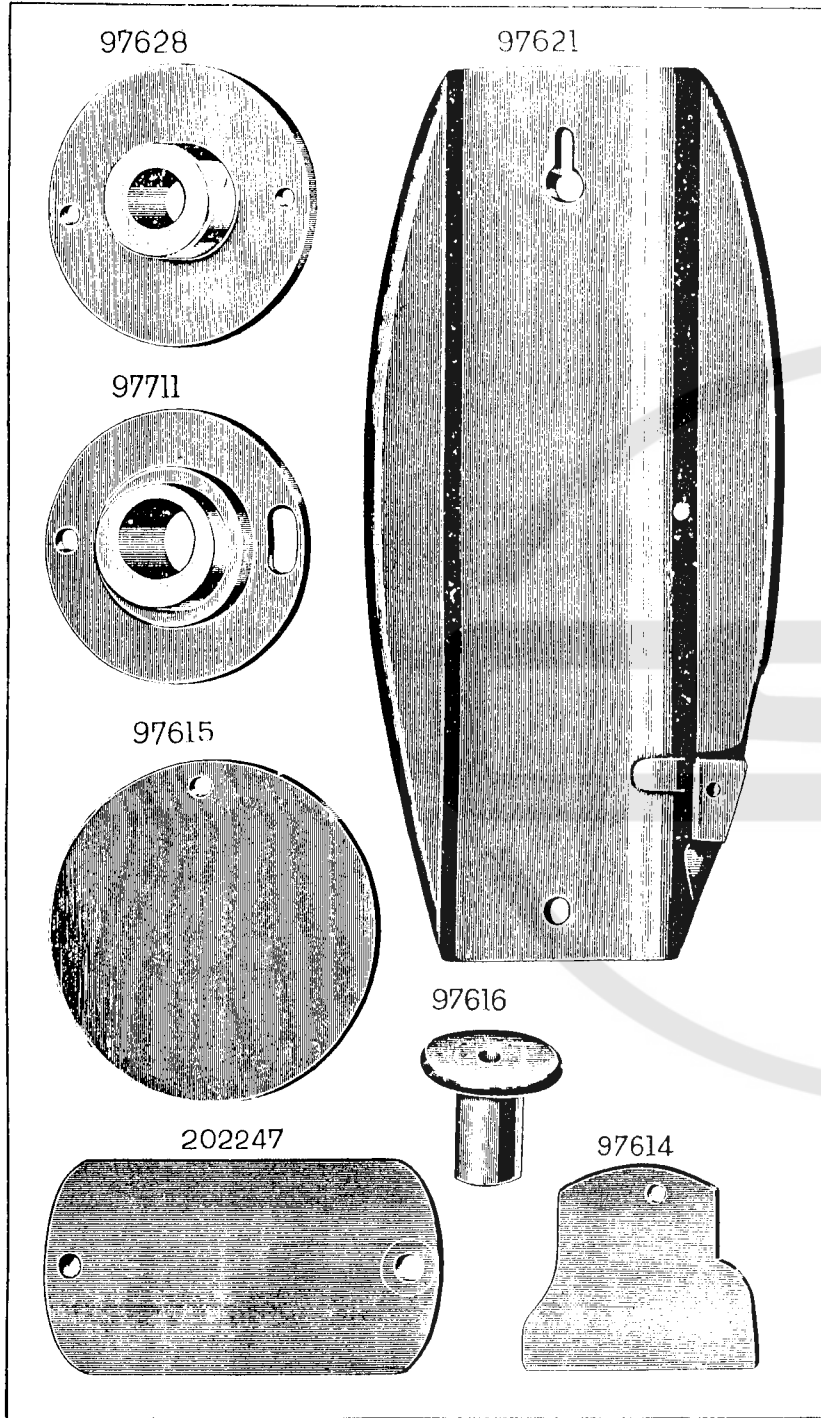
120342

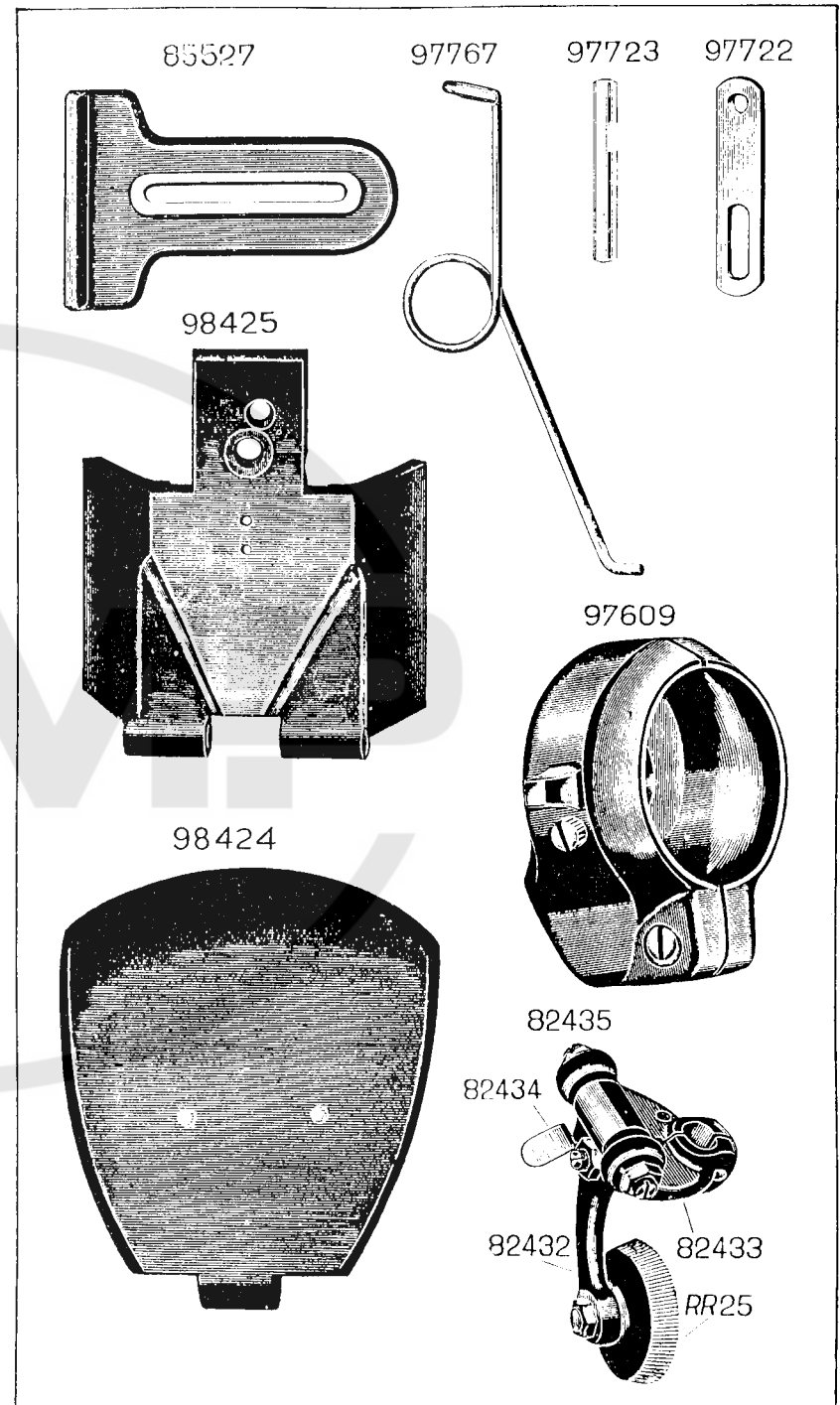
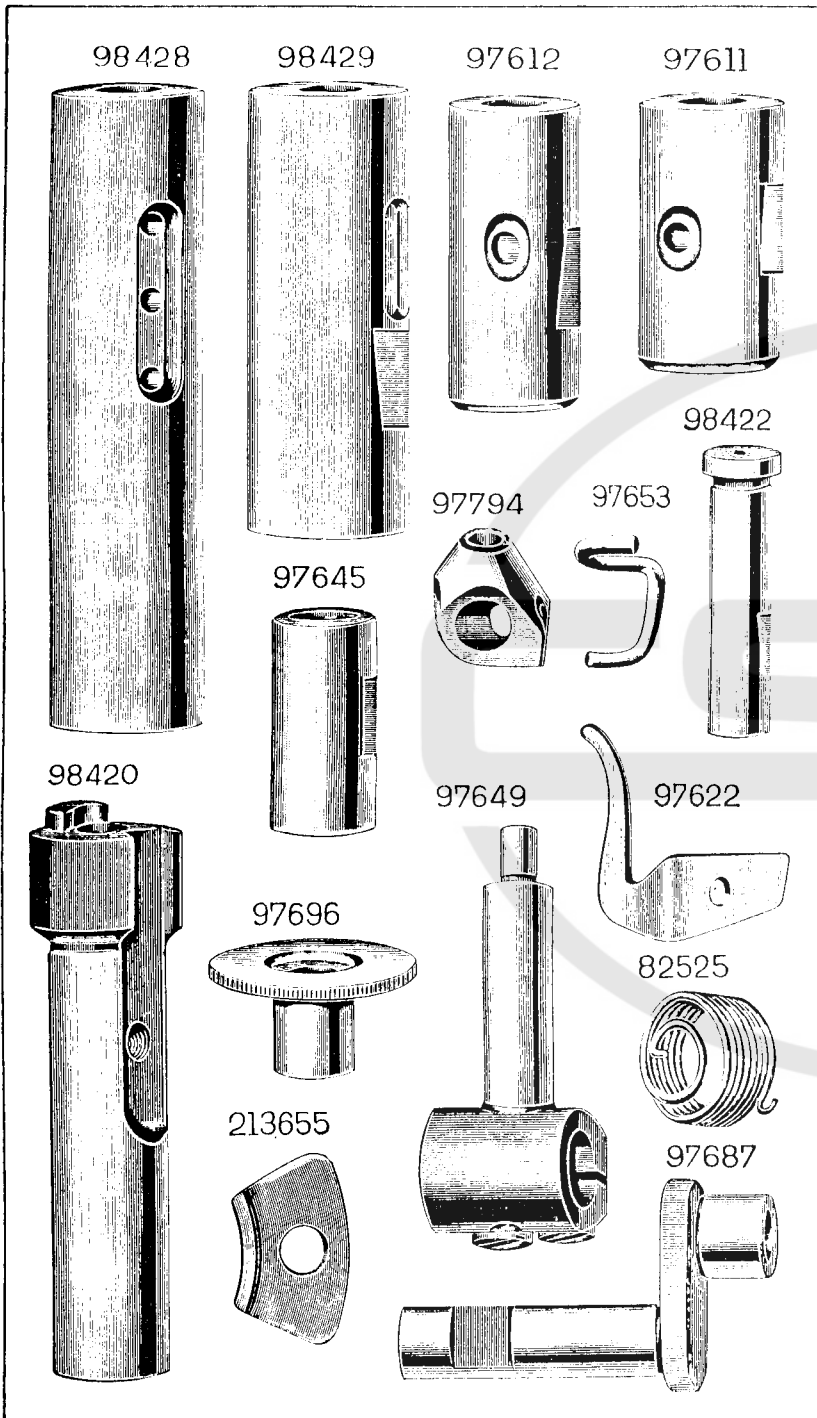




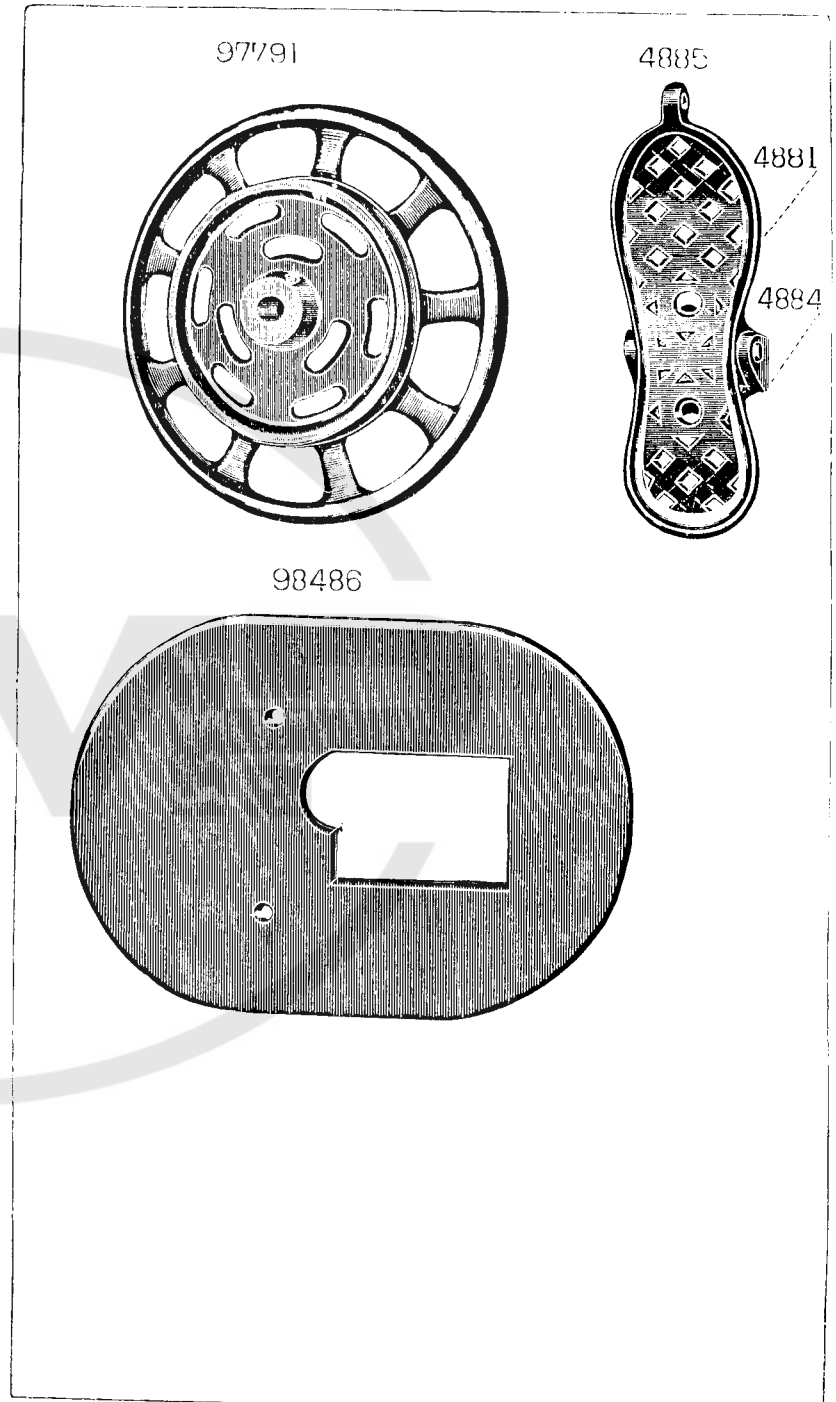
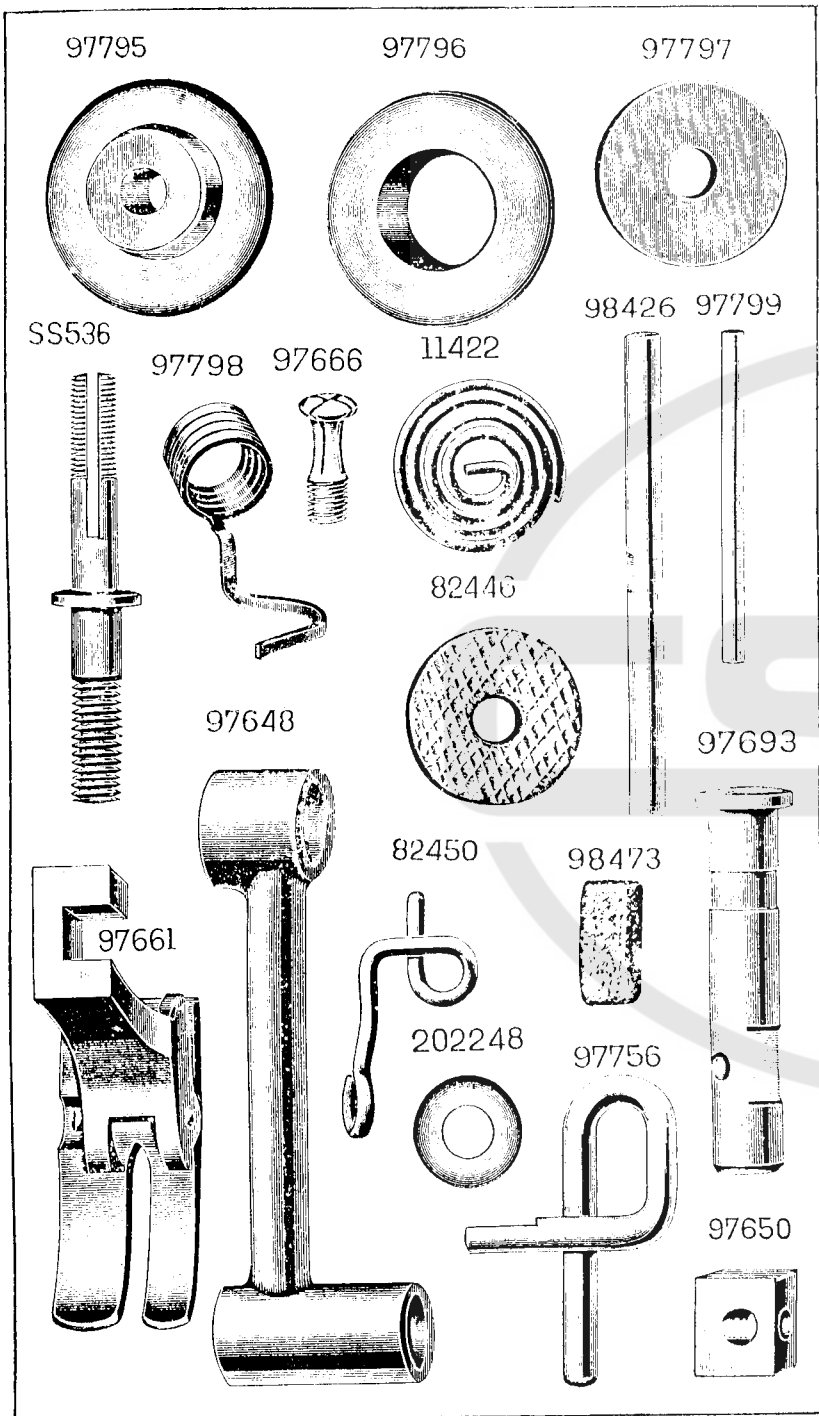




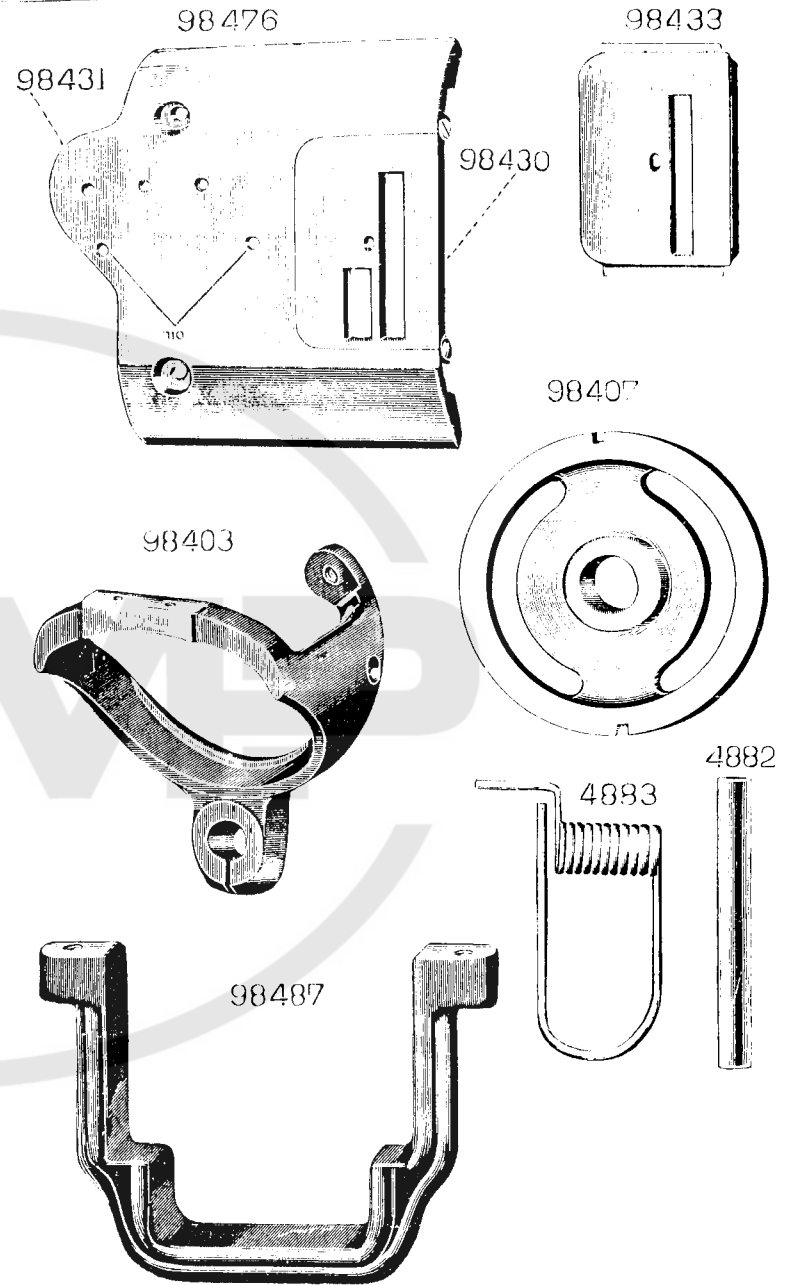
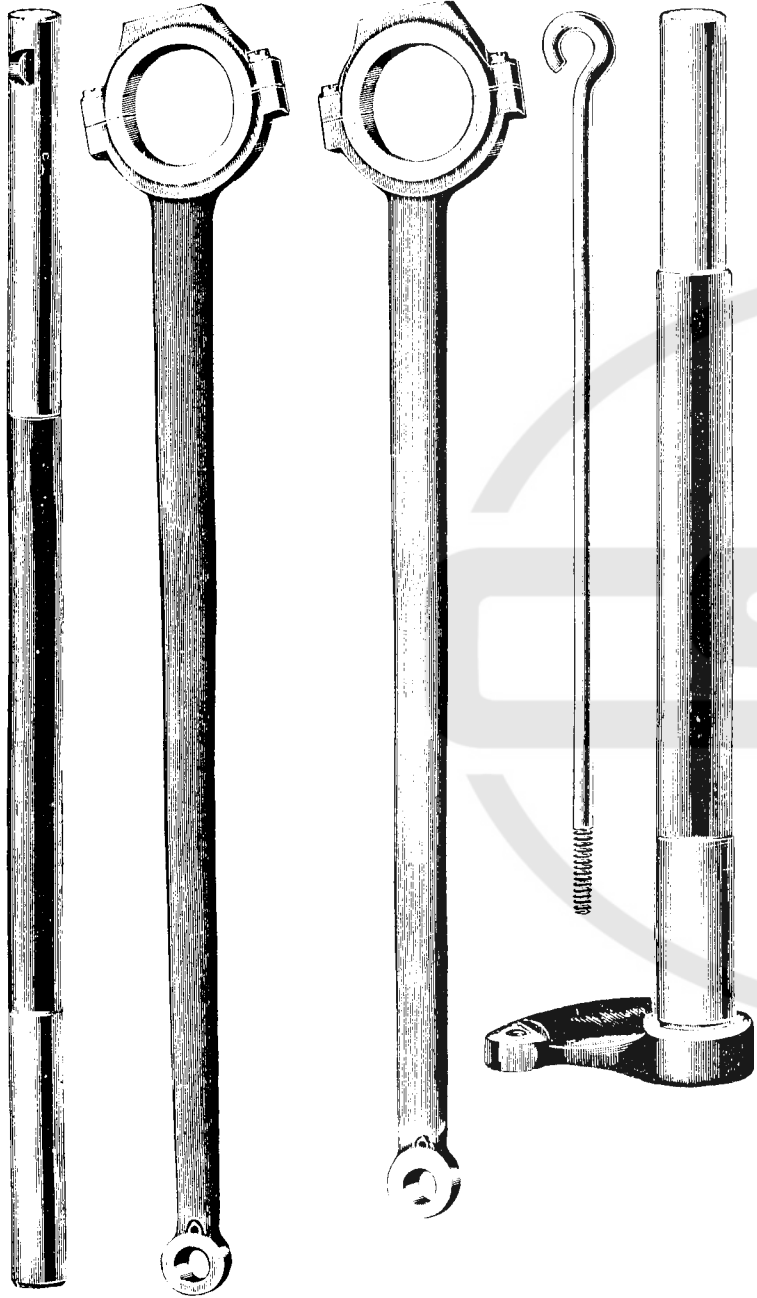


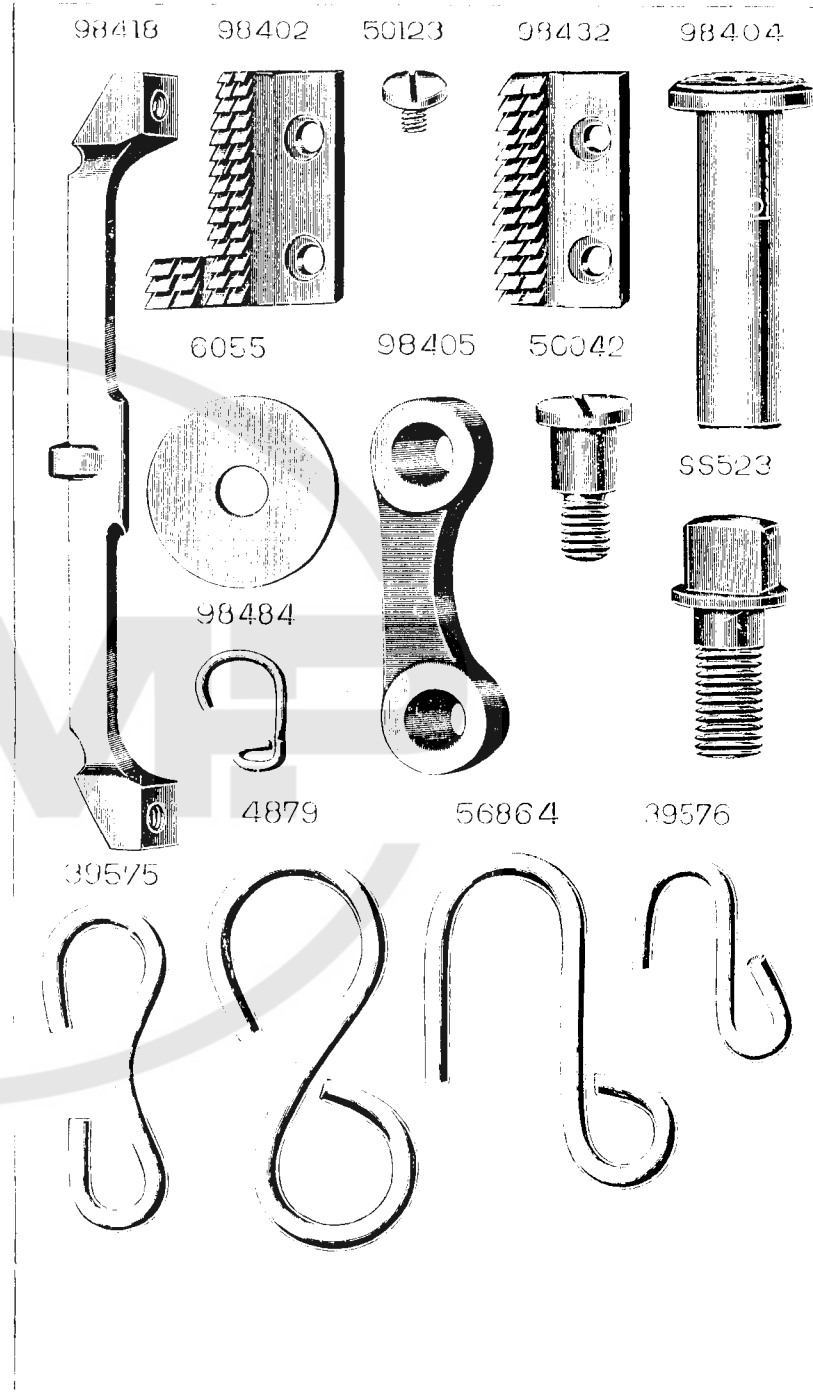
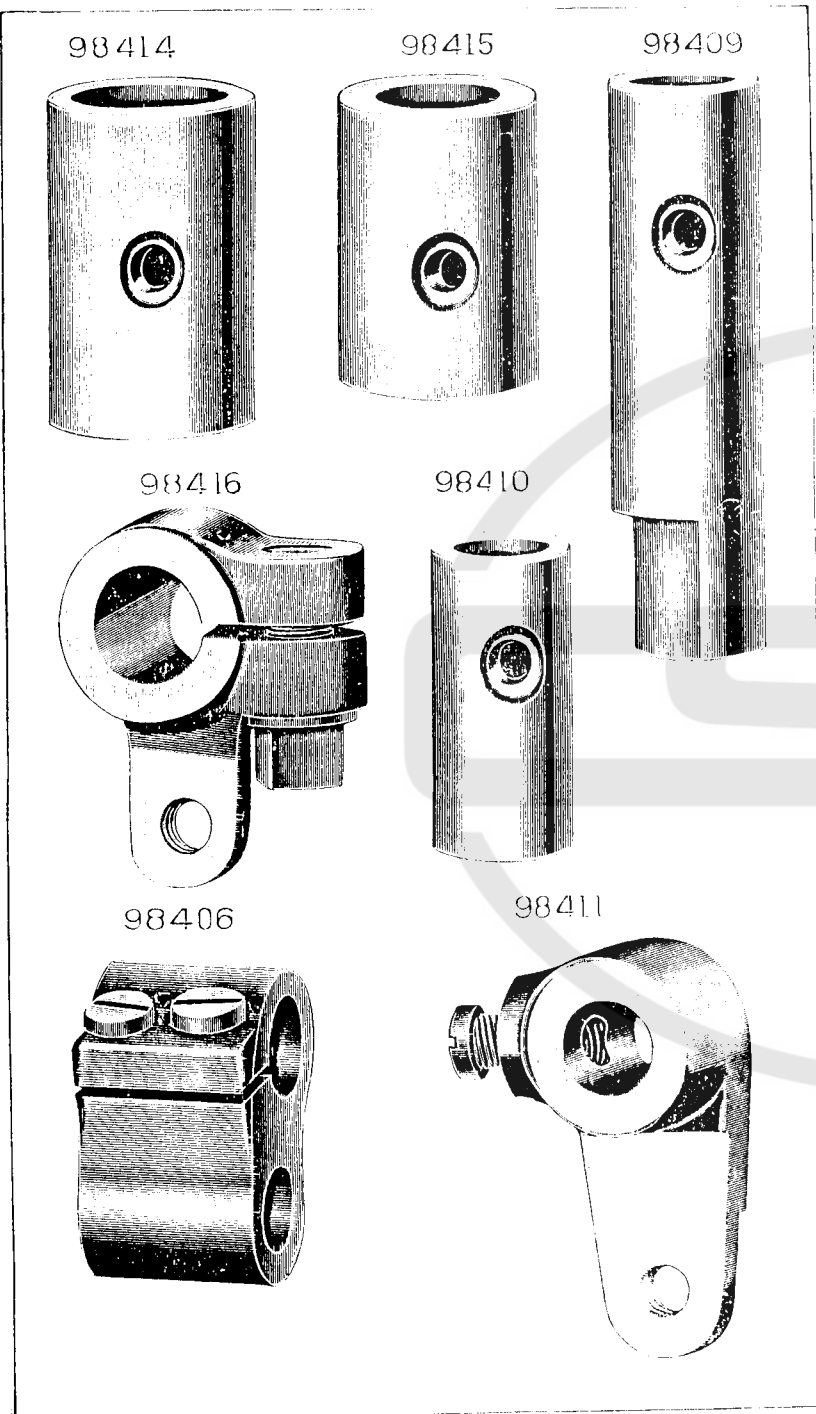


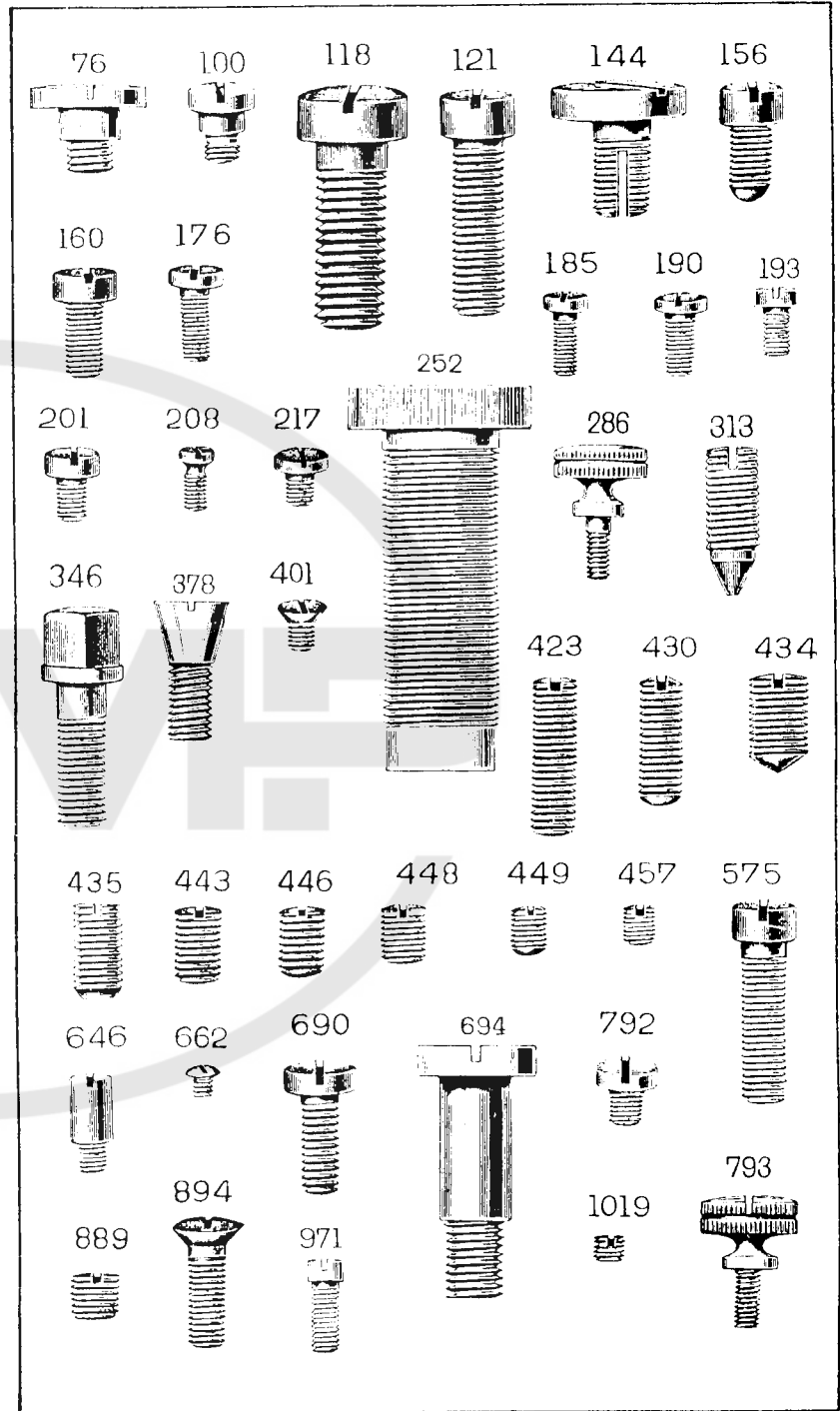
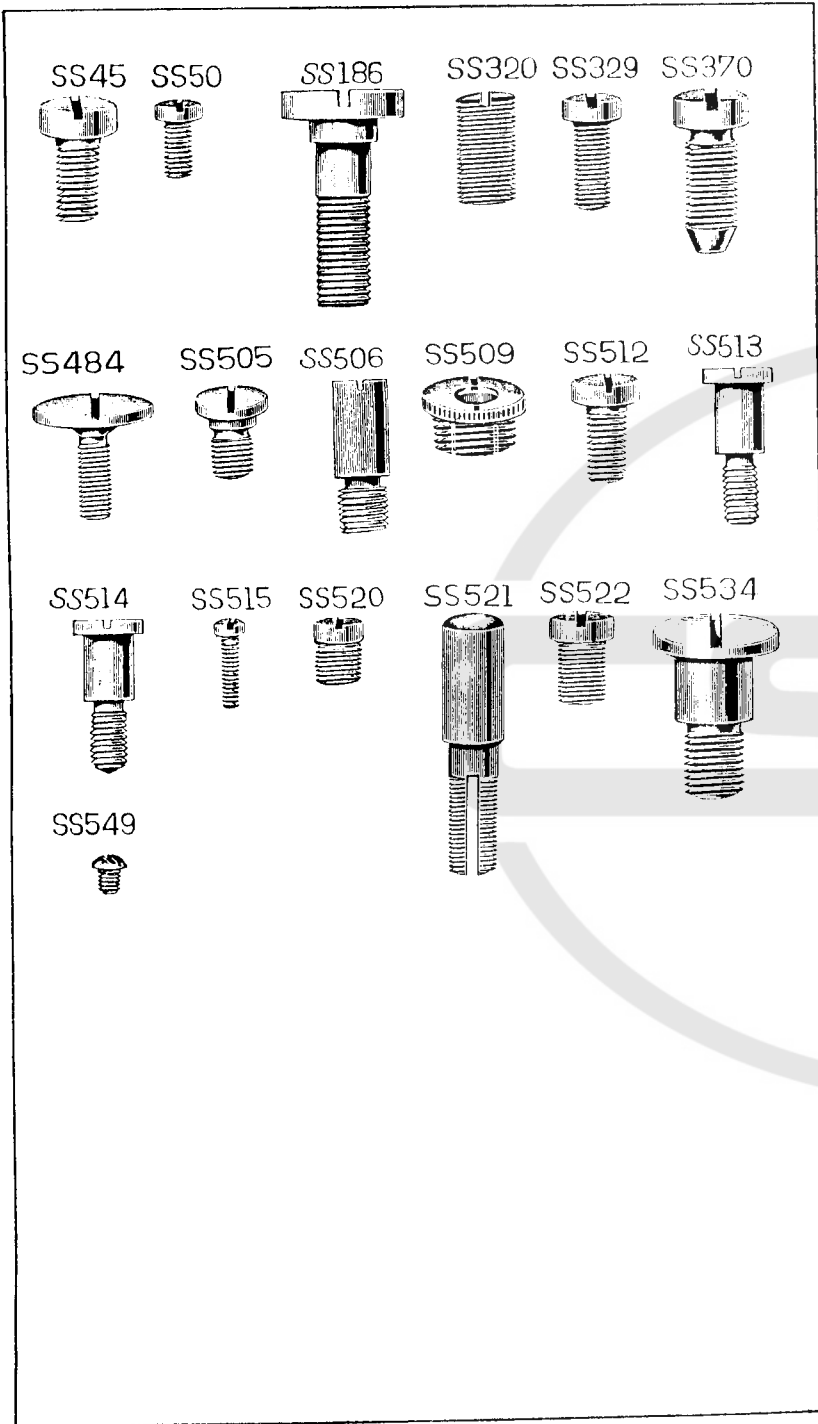




98408 98412 98417 98470 98413







# CONTENTS

	Page
Parts complete for 133K2 Machine ... ..	37
Special to 133K3 Machine ... ..	44
Accessories ... ..	47
Bobbin Winders ... ..	48
Thread Unwinder ... ..	50
Foot Lifter ... ..	51
Numerical List of Parts ... ..	53

# INSTRUCTIONS FOR ORDERING

In ordering from this List, the prefix and affix letters with the part number **MUST BE** quoted exactly as they are shown in the first column.

A number always indicates the same part in whatever List it may appear, or for whatever machine.

The prefix *SS* indicates Screws made only at Singer.

" " *NN* " Nuts made only at Singer.

" " *RR* " Rollers and Studs made only at Singer.

The affix letters (where shown) indicate the style of finish, as follows :

- A. Hardened, Polished, Nickel Plated and Buffed.
- B. Polished, Nickel Plated and Buffed.
- C. Hardened only.
- D. Polished only.
- E. Soft, not Polished.
- F. Hardened and Polished.
- H. Blued.
- J. Nickel Plated only.
- K. Hardened and Nickel Plated.
- L. Brass Plated.
- M. Oxidized.
- N. Japanned, Dull.
- P. Japanned, Bright.
- R. Merlized.
- T. Copper Plated.
- T.A. Hardened, Polished, Copper and Nickel Plated and Buffed.
- T.B. Copper and Nickel Plated and Polished.
- T.J. Copper and Nickel Plated only.
- T.K. Hardened, Copper and Nickel Plated.
- T.L. Copper and Brass Plated.
- T.M. Copper Plated and Oxidized.
- U. Zinc Plated.
- V. Silver Plated.
- W. Polished and Nickel Plated.
- Y. Black Nickel Plated only.
- Z. Chromium Plated.
- Z.B. Polished, Nickel Plated, Buffed and Chromium Plated.
- Z.J. Nickel and Chromium Plated.

In this series :

- 1 to 1500 and 50001 to 51500 are Screw Numbers.
- 1501 " 1800 are Nut Numbers.
- 1801 " 2000 are Roller Numbers.
- 2001 " 50000 are Numbers of Machine Parts, etc.
- 80001 " 100000 are Numbers of Machine Parts, etc., made only at Singer.
- 120001 " 190000 are Numbers of Machine Parts, etc.
- 190001 " 200000 are Numbers of Electrical Parts.
- 700001 and upwards are Numbers of Electrical Parts.

*Parts marked with an asterisk (\*) are furnished only when the repairs are made at Factory.*

# PARTS COMPLETE

FOR

## No. 133K2 MACHINE

Cylinder Bed, Drop Feed, Needle Bar Link, Link Take-up, for General Cloth, Canvas, and Leather Work.

No.	Plate	Description
*97601		Arm with 15104, 56003, two each 15105 and 94518 ...
8582	1966	" Dowel Pin (2) ...
94518	1851	" Oiler for front bearing ...
94518	1851	" " " back bearing ...
56003	1851	" Oil Tube with 52045 ...
52045		" " " Packing (felt) ...
118c	1979	" Screw (H) ...
97755	1967	" Shaft (horizontal) ...
97603	1969	" " ( " ) Flanged Bushing (back) ...
97605	1851	" " ( " ) " " ( " ) Drain Tube ...
97604	1966	" " ( " ) " " ( " ) Oil Pad ...
146c	1979	" " ( " ) " " ( " ) Set Screw ...
97606	1969	" " ( " ) " " (front) ...
97607	1966	" " ( " ) " " ( " ) Oil Pad ...
50084c	1980	" " ( " ) " " ( " ) Set Screw ...
97608	1965	" " ( " ) Gear with two 50083c ...
97609	1974	" " ( " ) " Case (2 pieces) with 121c and 50234d
50234d	1980	" " ( " ) " " Plug Screw ...
121c	1979	" " ( " ) " " Screw ...
50083c	1980	" " ( " ) " " Set Screw ...
144c	1979	" " ( " ) Screw ...
97610	1969	" " (upright) ...
97611	1970	" " ( " ) Bushing (lower) ...
575c	1979	" " ( " ) " ( " ) Set Screw ...
97612	1970	" " ( " ) " (upper) ...
575c	1979	" " ( " ) " ( " ) Set Screw ...
98137	1965	" " ( " ) Gear (lower) with SS520c and 50200c ...
50200c	1980	" " ( " ) " ( " ) Position Screw ...
SS520c	1978	" " ( " ) " ( " ) Set Screw ...
97613	1965	" " ( " ) " (upper) with SS520c and 50200c ...
50200c	1980	" " ( " ) " ( " ) Position Screw ...
SS520c	1978	" " ( " ) " ( " ) Set Screw ...
97614	1968	" Side Cap ...
1226d	1980	" " " Screw ...
97615	1968	" " Cover ...
51224	1979	" " " Thumb Screw ...
202247	1968	" Top Cover ...

9/34

5/34

No.	Plate						
SS505h	1978	<b>Arm Top Cover Screw</b>	...	...	...	...	...
202248	1972	" " " " Washer	...	...	...	...	...
82403	1851	" Spool Pin (2)	...	...	...	...	...
97616	1968	" " " Bushing	...	...	...	...	...
97617	1967	<b>Balance Wheel, 5 1/2" pulley with two 434c</b>	...	...	...	...	...
97791	1973	" " 5 1/2" " (9" diam.) with two 434c, for Foot Power	...	...	...	...	...
434c	1979	" " Set Screw	...	...	...	...	...
<i>NOTE. No. 97617 is sent with this machine unless otherwise specified on order, but Bobbin Winder No. 97793 must be used with Balance Wheel No. 97791.</i>							
*98401		<b>Bed</b>	...	...	...	...	...
97621	1968	<b>Face Plate</b>	...	...	...	...	...
SS45f	1978	" " Screw (2)	...	...	...	...	...
97622	1970	" " Thread Guard	...	...	...	...	...
190d	1979	" " " " Screw	...	...	...	...	...
98484	1977	" " " " Thread Retainer	...	...	...	...	...
98402	1977	<b>Feed Dog</b>	...	...	...	...	...
98403	1975	" " Carrier	...	...	...	...	...
98404	1977	" " " Hinge Stud	...	...	...	...	...
1396c	1980	" " " " Clamping Screw	...	...	...	...	...
46224	1851	" " " " Oiler	...	...	...	...	...
98406	1976	" " " Lifting Crank with two 1177c	...	...	...	...	...
1177c	1980	" " " " Clamping Screw	...	...	...	...	...
98405	1977	" " " Link	...	...	...	...	...
50042c	1977	" " " " Hinge Screw (2)	...	...	...	...	...
1620c	1980	" " " " Nut (2)	...	...	...	...	...
971c	1979	" " " Position Screw	...	...	...	...	...
SS50c	1978	" " Screw (2)	...	...	...	...	...
97711	1968	<b>Feed Eccentric</b>	...	...	...	...	...
98407	1975	" " Adjusting Disc	...	...	...	...	...
97628	1968	" " " Flange	...	...	...	...	...
97629	1969	" " " " Coupling with five 50083c	...	...	...	...	...
50083c	1980	" " " " Screw	...	...	...	...	...
213655	1970	" " Friction Spring Washer	...	...	...	...	...
SS513e	1978	" " " " Screw	...	...	...	...	...
1521e	1980	" " " " Nut	...	...	...	...	...
SS514e	1978	" " Fulcrum Screw	...	...	...	...	...

No.	Plate						
1521e	1980	<b>Feed Eccentric Fulcrum Screw Nut</b>	...	...	...	...	...
97713	1965	" Lifting Eccentric with two 446c	...	...	...	...	...
446c	1979	" " " Set Screw	...	...	...	...	...
98408	1974	" " Rock Shaft	...	...	...	...	...
98409	1976	" " " " Bushing (front)	...	...	...	...	...
423c	1979	" " " " " ( " ) Set Screw	...	...	...	...	...
98410	1976	" " " " " (back)	...	...	...	...	...
435c	1979	" " " " " ( " ) Set Screw	...	...	...	...	...
98412	1974	" " " " Connecting Rod with 97716 and two 1186e	...	...	...	...	...
*97716		" " " " " Cap	...	...	...	...	...
1186e	1980	" " " " " Screw	...	...	...	...	...
SS534c	1978	" " " " " Hinge Screw	...	...	...	...	...
1608c	1980	" " " " " Nut	...	...	...	...	...
98411	1976	" " " " Crank	...	...	...	...	...
SS370c	1978	" " " " Set Screw	...	...	...	...	...
213161	1965	" Regulating Lever with 213657	...	...	...	...	...
SS506c	1978	" " " Hinge Screw	...	...	...	...	...
97774	1851	" " " Spring	...	...	...	...	...
213657	1965	" " " " Pin	...	...	...	...	...
98413	1974	" Rock Shaft	...	...	...	...	...
98414	1976	" " " Bushing (front)	...	...	...	...	...
423c	1979	" " " " ( " ) Set Screw	...	...	...	...	...
98415	1976	" " " " (back)	...	...	...	...	...
435c	1979	" " " " ( " ) Set Screw	...	...	...	...	...
98417	1974	" " " Connecting Rod with 97716 and two 1186e	...	...	...	...	...
*97716		" " " " Cap	...	...	...	...	...
1186e	1980	" " " " " Screw	...	...	...	...	...
SS534c	1978	" " " " " Hinge Screw	...	...	...	...	...
1608c	1980	" " " " " Nut	...	...	...	...	...
98416	1976	" " " Crank with SS523c	...	...	...	...	...
SS523c	1977	" " " " Clamping Screw	...	...	...	...	...
85527	1971	<b>Guide</b>	...	...	...	...	...
793d	1979	" Thumb Screw (2)	...	...	...	...	...
97644	1969	<b>Needle Bar (hollow)</b>	...	...	...	...	...
97645	1970	" " Bushing (lower)	...	...	...	...	...
889c	1979	" " " ( " ) Set Screw	...	...	...	...	...
97646	1969	" " " (upper)	...	...	...	...	...
SS509e	1978	" " " ( " ) Cap Screw	...	...	...	...	...
46224	1851	" " " ( " ) Oiler	...	...	...	...	...
889c	1979	" " " ( " ) Set Screw	...	...	...	...	...
97648	1972	" " " Connecting Link	...	...	...	...	...
97649	1970	" " " " Stud with two SS512c	...	...	...	...	...
SS512c	1978	" " " " Clamping Screw	...	...	...	...	...
97650	1972	" " " " Slide Block	...	...	...	...	...

No.	Plate	
97651	1969	<b>Needle Bar Crank</b> with SS320c and SS370c
SS370c	1978	" " " " Position Screw
SS320c	1978	" " " " Set Screw
97794	1970	" Clamp
97652		" " 97794 with 156f, 217f and 97653
156f	1979	" " Screw
97653	1970	" " Thread Guide
217f	1979	" " " " Screw
97654	1969	<b>Presser Bar</b> (hollow)
97655	1851	" " Guide Bracket with two 1186c
1186c	1980	" " " " Clamping Screw
82429	1969	" " Lifter
SS186f	1978	" " " " Screw
1518c	1980	" " " " Nut
97656	1965	" " Lifting and Releasing Lever Bracket
97657	1969	" " Spring
8554		<b>Presser Foot Hinge Pin</b>
97658		" " Plate
97659		" " Shank
95489	1966	" " Spring
97661	1972	" " (hinged), complete, Nos. 8554, 95489, 97658 and 97659
SS329f	1978	" " Screw
1547c	1980	" " " " Nut
252c	1979	<b>Pressure Regulating Thumb Screw</b>
98474	1964	<b>Rotating Hook</b> (short point) with 97663, two 401d and three SS522c
98465		" " 98474 with 98466
97664	1964	" " Bobbin
98461		" " " " Case
98462	1964	" " " " Nos. SS549f, 662f, 50056f, 97666, 98461 and 98475
98466		" " " " 98462 with 97664
97666	1972	" " " " Bobbin Retainer
50056f	1980	" " " " " " Screw
98418	1977	" " " " Position Bracket
185c	1979	" " " " " " Screw (2)
98419	1964	" " " " Retainer
98420	1970	" " " " " " Bracket
446c	1979	" " " " " " Set Screw (2)
98493	1964	" " " " " " Guard
193d	1964	" " " " " " Screw
98422	1970	" " " " " " Hinge Stud
889c	1979	" " " " " " Set Screw
98421	1964	" " " " " " Position Spring
792c	1979	" " " " " " " " Screw

No.	Plate	
98423	1964	<b>Rotating Hook Bobbin Case Retainer Spring</b> with 98468
*98468		" " " " " " " " Pad
201f	1979	" " " " " " " " Screw
98475	1964	" " " " " " Tension Spring
SS549f	1978	" " " " " " " " Adjusting Screw
662f	1979	" " " " " " " " Screw
98424	1971	" " " " Cover Plate
98425	1971	" " " " " " Bracket
SS45f	1978	" " " " " " " " Screw
98426	1972	" " " " " " Hinge Pin
1019c	1979	" " " " " " " " Set Screw
98427	1964	" " " " " " Spring
176d	1979	" " " " " " " " Screw
98494		" " " " " " complete, Nos. 1019c, 98424 to 98427, 98493, two each 176d and 193d
SS522c	1978	" " " " Screw
97676	1969	" " " " Shaft
98428	1970	" " " " Bushing (back)
97678	1966	" " " " " ( " ) Oil Pad
448c	1979	" " " " " ( " ) Set Screw
98429	1970	" " " " " (front)
98473	1972	" " " " " ( " ) Oil Pad
423c	1979	" " " " " ( " ) Set Screw
98437	1965	" " " " Gear with SS520c and 50200c
97680	1969	" " " " " Case (2 pieces) with 121c and 50234d
50234d	1980	" " " " " " Plug Screw
121c	1979	" " " " " " " " Screw
50200c	1980	" " " " " " Position Screw
SS520c	1978	" " " " " " Set Screw
97663	1964	" " " " Thread Guard
401d	1979	" " " " " " Screw
97681	1851	<b>Slack Thread Regulator</b>
1147c	1980	" " " " Set Screw
97682	1851	" " " " Bracket
148c	1979	" " " " " " Set Screw
97795	1972	<b>Tension Disc</b> (inner)
97796	1972	" " " " (outer)
1560d	1980	" " Regulating Thumb Nut
97683	1851	" " Releasing Disc
97684	1851	" " " " Lever
646d	1979	" " " " " " Hinge Screw
12329	1966	" " " " " " Spring
97799	1972	" " " " Pin
SS536d	1972	" " Screw Stud
11422	1972	" " Spring



No.	Plate						
82446	1972	<b>Tension Washer</b> (felt) ... ..					
97797	1972	" " (fibre) ... ..					
97800	---	<b>Tension (Rotating) and Thread Take-up Spring</b> , complete, Nos. SS536d, 1560d, 11422, 82446, 82525, 97683, 97696, 97698 and 97795 to 97798 ... ..					
97756	1972	<b>Thread Guard</b> (side of arm) ... ..					
1143c	1980	" " Set Screw ... ..					
97769	1969	" Lubricating Cup ... ..					
97770	---	" " " 97769 with 160c, 97772 and 250519 ... ..					
250519	1966	" " " Oil Pad (felt) ... ..					
160c	1979	" " " Set Screw ... ..					
97772	1969	" " " Thread Guide ... ..					
89363	1851	" Retaining Disc ... ..					
1110e	1980	" " Screw Stud ... ..					
1560d	1980	" " " " Regulating Thumb Nut ... ..					
2103	1851	" " Spring ... ..					
97757	---	" Retainer, complete, Nos. 1110e, 1560d, 2103 and two 89363					
82450	1972	" " Thread Eyelet ... ..					
SS50f	1978	" " " " Screw ... ..					
97687	1970	" Take-up Crank ... ..					
SS48te	1978	" " " Cap Screw ... ..					
97688	1966	" " " Cotter Pin ... ..					
690c	1979	" " " " Screw ... ..					
97689	1966	" " Lever ... ..					
97690	1966	" " " Bushing ... ..					
SS515d	1978	" " " " Clamping Screw ... ..					
97691	1966	" " " Hinge Pin ... ..					
97692	1966	" " " Link ... ..					
97693	1972	" " " " Hinge Pin ... ..					
457e	1979	" " " " " " End Screw ... ..					
430c	1979	" " " " " " Set Screw ... ..					
97694	---	" " " complete, Nos. 457e, SS515d and 97689 to 97693					
82525	1970	" " Spring ... ..					
97696	1970	" " " Adjusting Sleeve ... ..					
97798	1972	" " " Lever ... ..					
97698	1965	" " " Regulator ... ..					
443c	1979	" " " " Set Screw ... ..					
98430	1975	<b>Throat Plate</b> ... ..					
98431	1975	" " Body ... ..					
98476	1975	" " " complete, Nos. 98430, 98431 and two 50123f					
SS45f	1978	" " " Screw (2) ... ..					
50123f	1977	" " " Screw ... ..					

No.	Plate						
98486	1973	<b>Work Plate</b> ... ..					
98487	1975	" " Bracket ... ..					
50512d	1980	" " " Screw ... ..					
98488	---	" " complete, Nos. 98486, 98487 and two 50512d ... ..					

*NOTE: --No. 98488 is only supplied when specified on order and at an extra charge.*

*15404	<b>Trade Mark</b> ... ..						
15405	" " Rivet ... ..						

**PARTS SPECIAL**  
TO  
**No. 133K3 MACHINE**

**Cylinder Bed, Drop Feed, Roller Presser, Needle Bar Link, Link Take-up,  
for Leather Work.**

This machine is the same as No. 133K2 with the following exceptions:

No.	Plate						
98432	1977	<b>Feed Dog</b>	...	...	...	...	...
RR25	1971	<b>Roller</b> ( $1\frac{1}{2}$ " dia. $\times$ $\frac{5}{16}$ " face) with 378c and 1520r	...	...	...	...	...
82432	1971	" Arm	...	...	...	...	...
82433	1971	" " Bracket	...	...	...	...	...
430c	1979	" " " Adjusting Screw	...	...	...	...	...
1520r	1980	" " " " Nut	...	...	...	...	...
SS329c	1978	" " " Clamping Screw	...	...	...	...	...
82434	1971	" " Lock Spring	...	...	...	...	...
SS50c	1978	" " " " Screw	...	...	...	...	...
313c	1979	" " Screw Centre	...	...	...	...	...
1519e	1980	" " " " Nut	...	...	...	...	...
378c	1979	" Bearing Screw	...	...	...	...	...
1520r	1980	" " " " Nut	...	...	...	...	...
82435	1971	<b>Roller Presser</b> , complete ( $1\frac{1}{2}$ " $\times$ $\frac{5}{16}$ " ), Nos. RR25, SS50c, SS329c, 430c, 1520r, 82432 to 82434, two each 313c and 1519e	...	...	...	...	...
98433	1975	<b>Throat Plate</b>	...	...	...	...	...
98477	---	<b>Throat Plate Body</b> , complete, Nos. 98431, 98433 and two 50123I	...	...	...	...	...

## Accessories

No.	Plate		...	...	...	...	...	...
-	-	Instruction Book	...	...	...	...	...	...
938c	1980	Machine Bolt with 1524e, 3" x 1/4" (4)	...	...	...	...	...	...
6055	1977	" " Washer (4)	...	...	...	...	...	...
216x1		Needles (6) for 133K2 Machine	...	...	...	...	...	...
216x2		" (6) " 133K3 "	...	...	...	...	...	...
120342	1600	Oiler	...	...	...	...	...	...
97664	1964	Rotating Hook Bobbin (5)	...	...	...	...	...	...
11831	1600	Screw Driver (large)	...	...	...	...	...	...
120378	1966	" " (small)	...	...	...	...	...	...



CSTMP

## Bobbin Winder

(Swinging Automatic, Left Hand)

No.	Plate	
41894	1856	Base with 449c ...
894d	1979	" Screw ...
97745	1857	Bobbin Holder ...
97746	1857	" " Pin ...
41896	1857	Frame ...
41441	1857	" Hinge Pin ...
449c	1979	" " " Set Screw ...
125044	<del>1857</del>	" Oil Pad ...
41897	1857	" Spring ...
43270	1856	Friction Pulley with 43271, two 448c and ten 26070 ...
43271	1856	" " Ring (leather) ...
26070		" " " Rivet (brass) ...
448c	1979	" " " Set Screw ...
97747	1857	Spindle ...
97748	1857	Stop Latch ...
41446	1857	" " Hinge Pin ...
2269	1857	" " Pin ...
97749	1856	Support Bracket ...
346e	1979	" " Screw ...
97774	1856	Tension Bracket ...
50073d	1980	" " Screw (2) ...
2102	1966	" Disc ...
SS521c	1978	" Screw Stud ...
889c	1979	" " " Set Screw ...
1560d	1980	" " " Thumb Nut ...
2103	1851	" Spring ...
97775	1857	" Thread Guard ...
889c	1979	" " " Set Screw ...
97776		Tension, complete, Nos. SS521c, 1560d, 2103, 97774, 97775, two each 889c and 2102 ...
41899	1857	Tripping Arm with 176d ...
176d	1979	" " Clamping Screw ...
97750	1857	" " Spring ...
97751	1856	<b>Bobbin Winder</b> , complete, Nos. 346e, 2269, <del>4141</del> , 41441, 41446, 41894, 41896, 41897, 41899, 43270, 97745 to 97750, 97776, two 50073d and three 894d ...

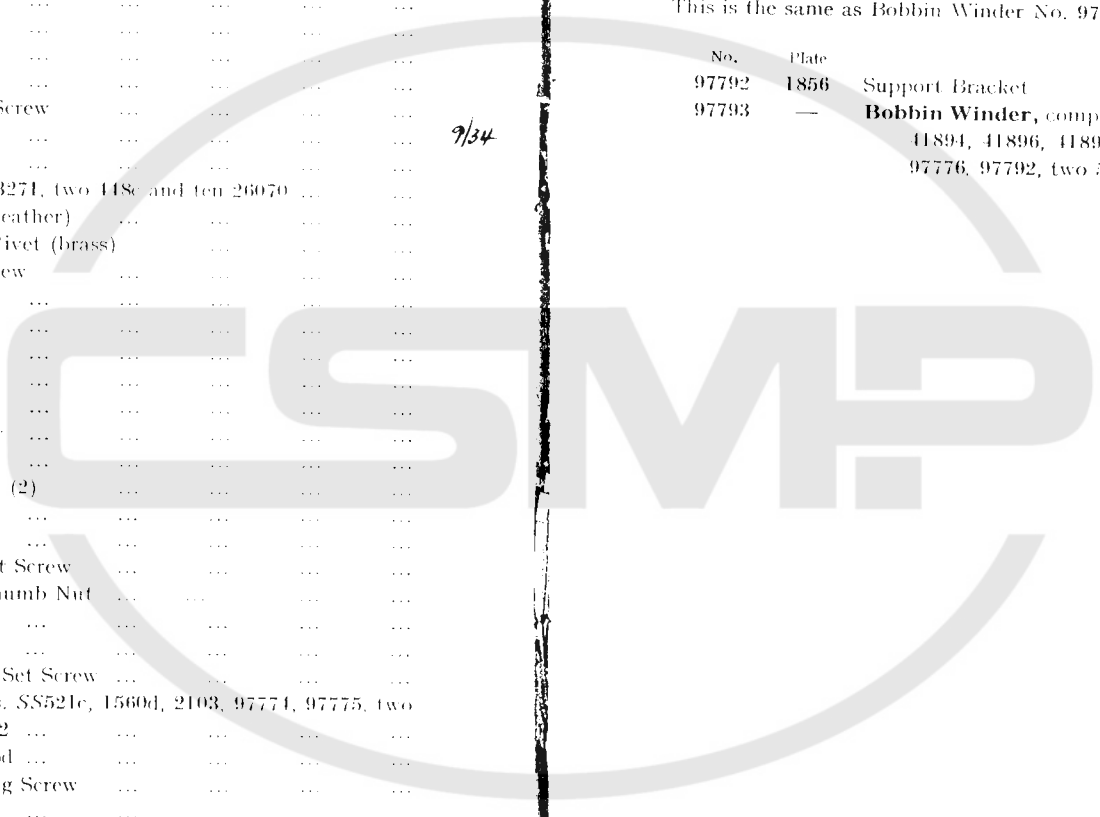
## Bobbin Winder

(Swinging Automatic, Left Hand)

For machine when fitted with Balance Wheel No. 97791 for Foot Power.

This is the same as Bobbin Winder No. 97751 with the following exceptions:

No.	Plate	
97792	1856	Support Bracket ...
97793	—	<b>Bobbin Winder</b> , complete, Nos. 346e, 2269, <del>4141</del> , 41441, 41446, 41894, 41896, 41897, 41899, 43270, 97745 to 97748, 97750, 97776, 97792, two 50073d and three 894d ...



9/34

9/34

9/3

## Thread Unwinder

### FOR TWO SPOOLS OF THREAD

No.	Plate	
27623	1855	Spool Pin ... ..
98489	-	" Rest ... ..
98490	1855	" " 98489 with 1149c and two 27623 ... ..
225388	1855	" " Rod ... ..
200383c	1980	" " " Set Screw ... ..
1149c	1980	" " Set Screw ... ..
202490	1855	" Stand with 200383c ... ..
98491	1855	Thread Guide with 208c ... ..
208c	1979	" " Set Screw ... ..
...	...	Screw (Wood) $\frac{3}{8}$ " No. 13 (for fixing to table) ... ..
98492	1855	<b>Thread Unwinder</b> , complete, Nos. 98490, 98491, 202490, 225388 and three Wood Screws $\frac{3}{8}$ " No. 13 ... ..

## Foot Lifter

No.	Plate	
4881	1973	Foot Lever ... ..
4884	1973	" " Floor Bracket ... ..
		" " " " Screw (Wood) 1" No. 16 ... ..
4882	1975	" " Hinge Pin ... ..
4883	1975	" " " " Spring ... ..
4885	1973	" " complete, Nos. 4879, 4881 to 4884 and two Wood Screws 1" No. 16 ... ..
97785	"	" " Chain (31" long), with 39575, 39576 and 56864 ... ..
4879	1977	" " " Connecting Link ... ..
39576	1977	" " " Hook (upper) ... ..
39575	1977	" " " " (centre) ... ..
56864	1977	" " " " (lower) ... ..
97786	"	" " complete, Nos. 4885 and 97785 ... ..
97787	1967	Lifting Lever with 448c ... ..
98470	1974	" " Connecting Rod ... ..
12416	1851	" " " " Joint ... ..
76d	1979	" " " " Hinge Screw ... ..
1521c	1980	" " " " Lock Nut ... ..
694d	1979	" " Hinge Screw ... ..
97722	1971	" " Link ... ..
100d	1979	" " Hinge Screw ... ..
97723	1971	" " Pin ... ..
448c	1979	" " Set Screw ... ..
97767	1971	" " Spring ... ..
98472		<b>Foot Lifter</b> , complete, Nos. 76d, 100d, 694d, 1521c, 12416, 97722, 97723, 97767, 97786, 97787 and 98470 ... ..