

Form 19562

(940)

Printed in U. S. A.

HISTORICAL COPY  
DO NOT REMOVE

# LIST OF PARTS



MACHINE No. 11-29

---

THE SINGER MANUFACTURING COMPANY

## INSTRUCTIONS FOR OILING

To insure easy running and prevent unnecessary wear of parts which are in movable contact, the machine should be oiled at least twice a day when in continuous use. Apply a drop of oil to the shuttle bearing in the shuttle race each time a bobbin is replaced.

Use only "SINGER OIL FOR HIGH SPEED SEWING MACHINES" (Cloth and Leather) for general use, or "SINGER STAINLESS OIL FOR HIGH SPEED SEWING MACHINES" where a stainless oil is desired.

Copyright, U. S. A., 1917 and 1940  
by The Singer Manufacturing Co.  
All Rights Reserved for all Countries

## INDEX

	Page
Accessories.....	12
Bobbin Winder.....	12
Foot Lifter Parts.....	13
Machine No. 11-29.....	5
Numerical List of Parts.....	15
Obsolete Parts.....	14
Thread Unwinder Parts.....	13

### INSTRUCTIONS FOR ORDERING

In ordering from this list, use ONLY the part NUMBER in the FIRST column.

The number stamped on a Sewing Machine Part is in every case the number of the single part only.

Every combination of parts sent out as such has its specific number, which, although not stamped on the parts, must be used when ordering the combination.

Each number always indicates the SAME PART in whatever list it appears, or for whatever machine.

The letters after some of the numbers indicate the style of finish only, as follows:

- A-Hardened, Polished, Nickel Plated and Buffed
- A.A-Buffed and Chromium Plated
- A.B-Hardened, Polished, Buffed and Chromium Plated
- A.C-Brown Baking Enamel Finish
- A.D-Gray Baking Enamel Finish
- A.E-Hardened, Bright Rumbled and Nickel Plated
- A.F-Hardened, Bright Rumbled, Nickel Plated, Bright Rumbled and Chromium Plated
- B-Polished, Nickel Plated and Buffed
- C-Hardened Only
- C.R-Hardened and Merlized
- D-Polished Only
- E-Soft, Not Polished
- F-Hardened and Polished
- F.J-Hardened, Polished and Nickel Plated
- G-Bright Rumbled and Nickel Plated
- H-Blued
- J-Nickel Plated Only
- K-Hardened and Nickel Plated
- L-Brass Plated
- M-Oxidized
- N-Japanned, Dull
- P-Japanned, Bright
- P.P-Wrinkle Finish
- R-Merlized
- S-Cadmium Plated
- T-Copper Plated
- T.A-Hardened, Polished, Copper and Nickel Plated and Buffed
- T.B-Copper and Nickel Plated and Polished
- T.J-Copper and Nickel Plated Only
- T.K-Hardened, Copper and Nickel Plated
- T.L-Copper and Brass Plated
- T.M-Copper Plated and Oxidized
- U-Zinc Plated
- V-Silver Plated
- W-Polished and Nickel Plated
- X-Black Oxide, for Iron and Steel
- X.C-Hardened and Black Oxide, for Iron or Steel
- Y-Black Nickel Plated Only
- Z-Chromium Plated
- Z.A-Hardened, Polished, Nickel Plated, Buffed and Chromium Plated
- Z.B-Polished, Nickel Plated, Buffed and Chromium Plated
- Z.C-Hardened and Chromium Plated
- Z.D-Polished and Chromium Plated
- Z.G-Bright Rumbled, Nickel Plated, Bright Rumbled and Chromium Plated
- Z.J-Nickel and Chromium Plated
- Z.T-Copper and Chromium Plated

These letters MUST BE USED when they appear in the list; and AFTER the number as in the list.

In this series:

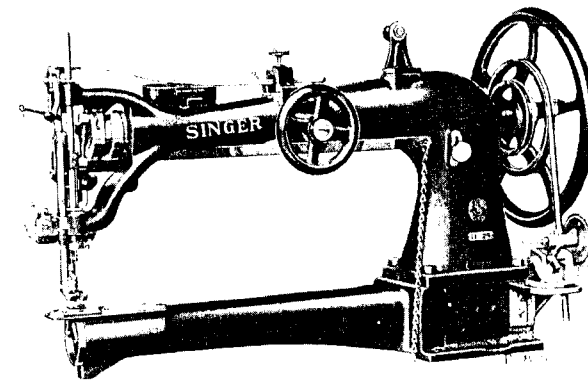
- 1 to 1500, 50001 to 51500 and 140001 to 142000 are Screw Numbers
- 1501 to 1800 and 51501 to 51800 are Nut Numbers
- 1801 to 2000 and 51801 to 52000 are Roller Numbers
- 2001 to 50000 and 52001 to 140000 and 142001 to 190000 are Sewing Machine Parts, 190001 and upward are numbers of Electrical Parts.

The figures in the second column refer only to the plates, illustrating the parts, and are NOT TO BE USED in ordering.

Parts marked with an asterisk (\*) are furnished only when repairs are made at factory.

### LIST OF PARTS COMPLETE

FOR



### MACHINE No. 11-29

General Work in Canvas. Maximum Stitch 2 2/3 to the inch. Clearance under presser foot 3/8 inch. Feed ACROSS the Cylinder. Alternating pressers. Foot lifter. Speed 600 R. P. M.

No.	Plate	Name
*122368	-----	Arm with 15404 and two 15405.....
8702	23535	" Dowel Pin (3).....
338E	23535	" Screw (4).....
56595	23535	" Shaft.....
11954	23535	" " Bushing.....
446C	23535	" " " Set Screw.....
17429	23535	" " " Gear with 453C.....
58656	23535	" " " Pin.....
453C	23535	" " " Set Screw.....
144D	23535	" " " Screw.....
14710	23537	" Side Cover.....
65D	23537	" " " Hinge Screw.....
11957	23535	" " " Wheel with two 446C.....
446C	23535	" " " Set Screw (2).....
6805	23535	" " " Shaft.....
56539	-----	" " " " 6805 with 11957..

## PARTS FOR MACHINE No. 11-29

No.	Plate	Name
1850	23538	Lifting Presser Bar Rock Shaft Crank Roller and Stud.....
453C	23538	Lifting Presser Bar Rock Shaft Crank Set Screw.....
11486	23538	Lifting Presser Bar Rock Shaft Eccentric Strap with two each 141F and 1528J..
141F	23538	Lifting Presser Bar Rock Shaft Eccentric Strap Adjusting Screw (2).....
1528J	23538	Lifting Presser Bar Rock Shaft Eccentric Strap Adjusting Screw Nut (2).....
608C	23538	Lifting Presser Bar Rock Shaft Eccentric Strap Hinge Screw.....
1518E	23538	Lifting Presser Bar Rock Shaft Eccentric Strap Hinge Screw Nut.....
11487	23538	Lifting Presser Bar Rock Shaft Eccentric Strap Hinge Screw Slide.....
11488	23538	Lifting Presser Bar Rock Shaft Eccentric Strap Hinge Screw Slide Washer.....
258C	23538	Lifting Presser Bar Screw Bushing.....
11489	23538	" " " Sleeve (lower).....
11490	23538	" " " " (upper).....
11491	-----	" " " " " 11490 with 11492.....
11492	23538	Lifting Presser Bar Sleeve (upper) Cap..
11493	23535	" " " Spring (flat).....
58252	23535	" " " Bracket.....
1177D	23535	" " " " Screw (2).....
4389	23535	Lifting Presser Bar Spring Guide Pin....
58540	23541	" " " Foot with 211F.....
2049	23541	" " " Pin.....
211F	23541	" " " Set Screw.....
11538	23538	Needle Bar.....
11539	23538	" " " Connecting Link.....
566C	23538	" " " " Hinge Screw..
1513J	23538	" " " " " Nut
11383	23538	" " " Stud with two 445C
19981	-----	" " " " 11383 with 11539.....
445C	23538	Needle Bar Connecting Stud Set Screw (2)
258C	23538	" " " Screw Bushing (2).....
19702	23538	" " " Clamp with 680F.....
680F	23538	" " " Thumb Screw.....
58253	23537	Oil Cup.....
11917	23537	" " " Cover.....
9084	23537	" " " Hinge Pin.....
2205	23537	" " " Latch.....
207F	23537	" " " " Screw.....
8953	23537	" or Wax Stripper (felt) (2).....
11918	23537	" " " " Washer (steel) for 11917.....

## PARTS FOR MACHINE No. 11-29

No.	Plate	Name
8482	23537	Oil or Wax Stripper Washer (steel) for 58253.....
207F	23537	Oil or Wax Stripper Washer Screw (2)....
58254	23537	Oil Cup complete, Nos. 2205, 8482, 9084, 11917, 11918, 58253, two 8953 and three 207F.....
134D	23537	Oil Cup Screw.....
12090	23537	Oscillating Rock Shaft with 11165.....
11164	23537	" " " Hinge Pin.....
435C	23537	" " " " " Set Screw (2).....
11165	23537	Oscillating Rock Shaft Oil Pad.....
56530	23537	" " " 12090 with 11164.
122383	23537	" Shaft.....
122381	23537	" " Bushing (front).....
435C	23537	" " " Set Screw.....
12088	23537	" " Crank.....
14633	-----	Oscillating Shaft Crank complete, Nos. 453C, 1513J, 5868 and 12088.....
58656	23537	Oscillating Shaft Crank Pin.....
453C	23537	" " " Set Screw.....
9119	23537	" " " Slide Block....
5868	-----	Oscillating Shaft Crank Slide Block complete, Nos. 190E, 1054C, 5968 and 9119
190E	23537	Oscillating Shaft Crank Slide Block Cap Screw.....
5968	23537	Oscillating Shaft Crank Slide Block Cap Screw Washer.....
1054C	23537	Oscillating Shaft Crank Slide Block Screw Stud.....
1513J	23537	Oscillating Shaft Crank Slide Block Screw Stud Nut.....
50323D	23535	Pressure Regulating Thumb Screw.....
1606E	23535	" " " Lock Nut
14535	23540	Shuttle Bobbin.....
122417	23540	" Cylinder.....
122418	23540	" " 122417 with 773F and 122422.....
122409	23540	Shuttle Cylinder Hinge Pin.....
122410	23540	" " Latch.....
12002	23540	" " " Pin.....
122419	23540	" " " Spring.....
122420	23540	" Frame.....
122421	23540	" " 122420 with 12002, 122410 and 122419.....
773F	23540	Shuttle Tension Regulating Screw.....
122422	23540	" " Spring.....
122423	23540	Shuttle (cylinder) 2 1/2 in. diam., complete, Nos. 14535, 122409, 122418 and 122421.....

No.	Plate	Name
56713	23540	Shuttle Driver and Feed Lifting Cam.....
2049	23540	" " " " " " Pin.
14554	23540	" Race.....
122332	23540	" " Ring.....
119C	23540	" " Screw (2).....
11502	23539	Tension Bracket and Vibrating Presser Bar Cap with 11424.....
11501	23539	Tension Bracket and Vibrating Presser Bar Cap complete, Nos. 122E, 9525, 11502, 11506, 11936, 11937, 12042 and two 190E.....
159F	23539	Tension Bracket and Vibrating Presser Bar Cap Screw (left).....
145F	23539	Tension Bracket and Vibrating Presser Bar Cap Screw (right).....
5983	23539	Tension Friction Washer (felt) (2)....
11423	23539	" " " (steel).....
1560C	23539	" Regulating Thumb Nut.....
8905	23539	" " " " Washer.....
607E	23539	" Screw Stud.....
58598	-----	" " " 607E with 1560C.....
122E	23539	" " " Clamping Screw.....
8791	23539	" Spring.....
11044	23539	" Wheel.....
12042	-----	Tension Wheel complete, Nos. 8791, 8905, 11044, 11423, 58598 and two 5983....
11424	23539	Thread Eyelet (front of arm) for 11502..
11950	23539	" " (side of arm) for 11503...
11495	23539	" " (side of arm).....
190E	23539	" " " " Screw.....
2102	23539	" Retaining Disc (2).....
1560C	23539	" " Regulating Thumb Nut...
8905	23539	" " " " " "
		Washer.....
606E	23539	Thread Retaining Screw Stud.....
58597	-----	" " " " 606E with 1560C.....
2103	23539	Thread Retaining Spring.....
11503	23539	Thread Retainer complete, Nos. 2103, 8905, 58597 and two 2102.....
12044	23535	Thread Take-up Cam with two 434C.....
8873	23535	" " " Pin.....
434C	23535	" " " Set Screw (2).....
58295	23538	" " Lever.....
58296	-----	" " " 58295 with 1995....
58320	23538	" " " 58296 with 50437D..
50437D	23538	" " " Hinge Screw.....
1995	23538	" " " Roller and Screw Stud with 1518E.....
1518E	23538	Thread Take-up Lever Roller and Screw Stud Nut.....

No.	Plate	Name
11506	23539	Thread Take-up Spring.....
11936	23539	" " " " Regulator Plate...
190D	23539	" " " " " Ad- justing Screw (2).....
11937	23539	Thread Take-up Spring Staple.....
9525	23539	" " " " Washer.....
56607	23541	Throat Plate Body.....
14563	23541	" " Needle Hole Strip.....
401D	23541	" " " " Screw (2)
56608	23541	Throat Plate complete for 56602, Nos. 14563, 56607 and two 401D.....
14783	23541	Throat Plate Holder.....
389F	23541	" " " Screw (4).....
202D	23541	" " Screw (long).....
228D	23541	" " " (short).....
56609	23538	Vibrating Presser Bar.....
11509	23538	" " " Cushion (rawhide).
233D	23538	" " " Screw (2).
122384	23538	" " " Hinge Bracket with 145F.....
145F	23538	Vibrating Presser Bar Hinge Bracket Ad- justing Screw.....
164D	23538	Vibrating Presser Bar Hinge Cap Screw...
41544	23538	" " " " " "
		Washer.....
11512	23538	Vibrating Presser Bar Spring.....
11939	23538	" " " " Adjusting Staple.....
190D	23538	Vibrating Presser Bar Spring Adjusting Staple Screw.....
223D	23538	Vibrating Presser Bar Spring Screw.....
56610	23541	" " Foot.....
898D	23541	" " " Screw.....
1528J	23541	" " " " Nut.....
*15404	-----	Trade Mark.....
15405	-----	" " Rivet (2).....

## ACCESSORIES

No.	Plate	Name
490E	-----	Bolt with 1600E, for fastening machine to power table.....
1600E	-----	Bolt Nut.....
9281	-----	" Washer.....
120346	23543	Oiler with 120347.....
120347	23543	" Spout, 8 1/2 in. long.....
11831	23543	Screw Driver (large).....
26026	23543	" " (small).....
26485	23543	" " (shuttle tension).....
120571	23543	Shuttle (cylinder) Opener.....
8908	23543	Wrench.....
8909	23543	Wrench.....
25200	23543	Wrench.....

BOBBIN WINDER  
(AUTOMATIC)

No.	Plate	Name
41894	23542	Base with 449C.....
894D	23542	" Screw (3).....
41895	23542	Bobbin Carrier Key.....
41896	23542	Frame.....
41441	23542	" Hinge Pin.....
449C	23542	" " " Set Screw.....
4784	23542	" Oil Pad (2).....
41897	23542	" Spring.....
43270	23542	Friction Pulley with 43271, two 448C and eight 26070.....
43271	23542	Friction Pulley Ring (leather).....
26070	23542	" " " " Rivet (8)
448C	23542	" " " Set Screw (2).....
41898	23542	Spindle with 41895.....
60516	23542	Stop Latch.....
60735	-----	" " 60516 with 2269 and 41446....
41446	23542	" " Hinge Pin.....
2269	23542	" " Pin.....
41899	23542	Tripping Arm with 176E.....
176E	23542	" " Clamping Screw.....
60517	23542	Bobbin Winder, Nos. 41441, 41894, 41896 to 41899, 43270, 60735 and two 4784.
60578	23542	Bracket.....
50172D	23542	" Screw (2).....

## THREAD UNWINDER PARTS

No.	Plate	Name
225257	23544	Spool Rest (for two spools) with 201018C
150203	23544	" " Cushion (felt).....
201018C	23544	" " Set Screw.....
202490	23544	" Stand with 200383C.....
200383C	23544	" " Set Screw.....
2102	23544	Tension Disc (2).....
1560C	23544	" Regulating Thumb Nut.....
828C	23544	" Screw Stud.....
42418	-----	" " " 828C with 1560C.....
2103	23544	" Spring.....
5769	23544	" Thread Eyelet.....
17547	23544	" " Guide.....
60608	23544	Thread Guard.....
27560	23544	" " Rod, 26 in. long.....
330B	23544	" " Set Screw.....
60609	-----	Thread Guard complete, Nos. 330D, 2103, 5769, 17547, 42418, 60608 and two 2102.....
41823	23544	Thread Unwinder complete for two large spools, Nos. 27560, 60609, 202490, 225257, two 150203 and three wood screws 1 1/4 in. No. 12.....
60579	-----	Bobbin Winder (swinging automatic, left hand) complete, Nos. 41823, 60517, 60578, two 50172D and three 894D....

## FOOT LIFTER PARTS

No.	Plate	Name
13351	-----	Chain, 46 in. to 55 in. long, with 56864 and 56865.....
Note: When ordering No. 13351, give length required.		
4879	23545	Chain Connecting Link.....
56864	23543	" Hook (large).....
56865	23543	" " (small).....
122385	23537	Lifting Lever.....
58D	23537	" " Hinge Screw.....
122386	23538	" " Link.....
76D	23538	" " " Hinge Screw.....
19510	23537	" " Spring.....
86D	23537	" " " Screw (2).....
4881	23545	Treadle.....
4882	23545	" Shaft.....
4883	23545	" Spring.....

## FOOT LIFTER PARTS

No.	Plate	Name
4884	23545	Treadle Stand.....
4885	23545	Treadle complete, Nos. 4879, 4881 to 4884 and two wood screws 1 in. No.16
122384	23538	Vibrating Presser Bar Hinge Bracket with 145F.....
145F	23538	Vibrating Presser Bar Hinge Bracket Ad- justing Screw.....
76D	23538	Vibrating Presser Bar Hinge Bracket Lifting Screw (2).....
122387	-----	Foot Lifter complete, Nos. 58D, 4885, 13351, 19510, 122385, 122386 and two each 76D and 86D.....

## OBSOLETE PARTS

No.	Plate	Name
2117	-----	Arm Shaft Gear Pin, obsolete, use 58656.
2117	-----	Arm Side Wheel Shaft Gear Pin, obsolete, use 58656.....
134D	-----	Bobbin Winder Bracket Screw, obsolete, use 50172D.....
2117	-----	Feed Rock Shaft Crank Pin, obsolete, use 58656.....
11476	-----	Lifting Presser Bar Bell Crank, obsolete, superseded by 58617, not inter- changeable.....
11478	-----	Lifting Presser Bar Bracket with two 145D, obsolete, use 58643.....
2117	-----	Lifting Presser Bar Rock Shaft Adjusting Arm Pin, obsolete, use 58656.....
2117	-----	Lifting Presser Bar Rock Shaft Crank Pin, obsolete, use 58656.....
19951	-----	Lifting Presser Foot with 211F, obsolete, use 58540.....
2117	-----	Oscillating Shaft Crank Pin, obsolete, use 58656.....

**NUMERICAL  
LIST  
OF PARTS**

## NUMERICAL LIST OF PARTS

No.	Plate	Name
16D	23538	Lifting Presser Bar Lifter Hinge Screw..
58E	23535	Feed Regulator Hinge Screw.....
58D	23537	Lifting Lever Hinge Screw for 122387....
65D	23537	Arm Side Cover Hinge Screw.....
76D	23538	Lifting Lever Link Hinge Screw for 122387.....
76D	23538	Vibrating Presser Bar Hinge Bracket Lifting Screw for 122387.....
86D	23537	Lifting Lever Spring Screw for 122387 (2).....
119C	23540	Shuttle Race Screw (2).....
122E	23539	Tension Screw Stud Clamping Screw for 11501.....
123E	23538	Lifting Presser Bar Rock Shaft Bracket Screw (2).....
129D	23535	Arm Spool Holder Bracket Screw (2).....
134D	-----	Bobbin Winder Bracket Screw for 60579, obsolete, use 50172D.....
134D	23537	Oil Cup Screw.....
141F	23538	Lifting Presser Bar Rock Shaft Eccentric Strap Adjusting Screw for 11486 (2).
144D	23535	Arm Shaft Screw.....
144D	23535	" Side Wheel Shaft Screw.....
145E	23535	Crank Connecting Rod Cap Screw for 12096 (2).....
145F	23539	Tension Bracket and Vibrating Presser Bar Cap Screw (right).....
145F	23538	Vibrating Presser Bar Hinge Bracket Ad- justing Screw for 122384.....
145D	23538	Lifting Presser Bar Bracket Clamping Screw for 58643 (2).....
150C	23535	Arm Spool Holder Spindle Cap Screw for 56600.....
159F	23539	Tension Bracket and Vibrating Presser Bar Cap Screw (left).....
164D	23538	Vibrating Presser Bar Hinge Cap Screw...
166D	23538	Lifting Presser Bar Bell Crank Hinge Cap Screw.....
166D	23538	Lifting Presser Bar Lifting Link Cap Screw.....
176E	23542	Bobbin Winder Tripping Arm Clamping Screw for 41899.....
190E	23537	Oscillating Shaft Crank Slide Block Cap Screw for 5868.....
190E	23539	Thread Eyelet (side of arm) Screw for 11501.....



## NUMERICAL LIST OF PARTS

No.	Plate	Name
190D	23539	Thread Take-up Spring Regulator Plate Adjusting Screw (2).....
190D	23538	Vibrating Presser Bar Spring Adjusting Staple Screw.....
202D	23541	Throat Plate Screw (long).....
207F	23537	Oil Cup Cover Latch Screw for 58254.....
207F	23537	Oil or Wax Stripper Washer Screw for 58254 (2).....
211F	23541	Lifting Presser Foot Set Screw for 58540
223D	23538	Vibrating Presser Bar Spring Screw.....
228D	23541	Throat Plate Screw (short).....
233D	23538	Vibrating Presser Bar Cushion Screw (2).
258C	23538	Lifting Presser Bar Screw Bushing.....
258C	23538	Needle Bar Screw Bushing (2).....
330B	23544	Thread Unwinder Thread Guard Set Screw for 60609.....
338E	23535	Arm Screw (4).....
354C	23536	Balance Wheel Set Screw for 56564 (2)..
372C	23535	Feed Forked Connection Hinge Screw.....
375C	23535	" Connecting Link Hinge Screw (2)....
389F	23541	Throat Plate Holder Screw (4).....
401D	23541	" " Needle Hole Strip Screw for 56608 (2).....
434C	23535	Thread Take-up Cam Set Screw for 12044 (2).....
435C	23537	Oscillating Rock Shaft Hinge Pin Set Screw.....
435C	23537	Oscillating Shaft Bushing Set Screw.....
437C	23535	Arm Side Wheel Shaft Bushing Set Screw (2).....
445C	23538	Needle Bar Connecting Stud Set Screw for 11383 (2).....
446C	23535	Arm Shaft Bushing Set Screw.....
446C	23535	" Side Wheel Set Screw for 11957 (2)..
446C	23535	Feed Cam Set Screw for 3032.....
448C	23542	Bobbin Winder Friction Pulley Set Screw for 43270 (2).....
449C	23542	Bobbin Winder Frame Hinge Pin Set Screw for 41894.....
453C	23535	Arm Shaft Gear Set Screw for 17429.....
453C	23535	Arm Side Wheel Shaft Gear Set Screw for 56624.....
453C	23537	Feed Rock Shaft Crank Set Screw for 14631.....
453C	23538	Lifting Presser Bar Rock Shaft Adjusting Arm Set Screw for 58578.....
453C	23538	Lifting Presser Bar Rock Shaft Crank Set Screw for 11484.....
453C	23537	Oscillating Shaft Crank Set Screw for 14633.....

## NUMERICAL LIST OF PARTS

No.	Plate	Name
449C	23542	Bobbin Winder Frame Hinge Pin Set Screw for 41894.....
565C	23535	Crank Connecting Rod Hinge Screw.....
566C	23538	Needle Bar Connecting Link Hinge Screw..
606E	23539	Thread Retaining Screw Stud for 58597...
607E	23539	Tension Screw Stud for 58598.....
608C	23538	Lifting Presser Bar Rock Shaft Eccentric Strap Hinge Screw.....
610D	23538	Lifting Presser Bar Bell Crank Lifting Roller Screw for 1851.....
680F	23538	Needle Clamp Thumb Screw for 19702.....
773F	23540	Shuttle Tension Regulating Screw for 122418.....
792C	23541	Feed Dog Screw.....
828C	23544	Thread Unwinder Tension Screw Stud for 42418.....
894D	23542	Bobbin Winder Base Screw for 60579 (3)..
898D	23541	Vibrating Presser Foot Screw.....
1064C	23537	Oscillating Shaft Crank Slide Block Screw Stud for 5868.....
1177D	23535	Lifting Presser Bar Spring Bracket Screw (2).....
1513J	23535	Crank Connecting Rod Hinge Screw Nut....
1513J	23538	Needle Bar Connecting Link Hinge Screw Nut.....
1513J	23537	Oscillating Shaft Crank Slide Block Screw Stud Nut for 14633.....
1518E	23535	Feed Connecting Link Hinge Screw Nut (2)
1518E	23535	" Forked Connection Hinge Screw Nut..
1518E	23538	Lifting Presser Bar Bell Crank Lifting Roller Screw Nut.....
1518E	23538	Lifting Presser Bar Rock Shaft Eccentric Strap Hinge Screw Nut.....
1518E	23538	Thread Take-up Lever Roller and Screw Stud Nut for 1995.....
1528J	23538	Lifting Presser Bar Rock Shaft Eccentric Strap Adjusting Screw Nut for 11486 (2).....
1528J	23541	Vibrating Presser Foot Screw Nut.....
1560C	23539	Tension Regulating Thumb Nut for 58598..
1560C	23539	Thread Retaining Regulating Thumb Nut for 58597.....
1560C	23544	Thread Unwinder Tension Regulating Thumb Nut for 42418.....
1606E	23535	Presser Regulating Thumb Screw Lock Nut.....
1751E	23535	Arm Spool Holder Thumb Nut for 56600....
1850	23538	Lifting Presser Bar Rock Shaft Crank Roller and Stud for 11484.....
1851	23538	Lifting Presser Bar Bell Crank Lifting Roller with 610D.....
1995	23538	Thread Take-up Lever Roller and Screw Stud with 1518E, for 58296.....

## NUMERICAL LIST OF PARTS

No.	Plate	Name
2002	23538	Lifting Presser Bar Rock Shaft Bracket Dowel Pin (lower).....
2049	23541	Lifting Presser Foot Pin.....
2049	23540	Shuttle Driver and Feed Lifting Cam Pin.
2102	23539	Thread Retaining Disc for 11503 (2)....
2102	23544	" Unwinder Tension Disc for 60609 (2)
2103	23539	" Retaining Spring for 11503.....
2103	23544	" Unwinder Tension Spring for 60609..
2117	23535	Arm Spool Holder Cone (tight) Pin for 56599.....
2117	-----	Arm Shaft Gear Pin, obsolete, use 58656.
2117	-----	" Side Wheel Shaft Gear Pin, obsolete, use 58656.....
2117	-----	Feed Rock Shaft Crank Pin, obsolete, use 58656.....
2117	-----	Lifting Presser Bar Rock Shaft Adjusting Arm Pin, obsolete, use 58656.....
2117	-----	Lifting Presser Bar Rock Shaft Crank Pin, obsolete, use 58656.....
2117	-----	Oscillating Shaft Crank Pin, obsolete, use 58656.....
2205	23537	Oil Cup Cover Latch for 58254.....
2269	23542	Bobbin Winder Stop Latch Pin for 60735..
2718	23538	Lifting Presser Bar Bell Crank Lifting Roller Screw Nut Washer.....
3032	23535	Feed Cam with 44C.....
4389	23538	Lifting Presser Bar Rock Shaft Bracket Dowel Pin (upper).....
4389	23535	Lifting Presser Bar Spring Guide Pin....
4448	23537	Feed Rock Shaft Back Bearing Oil Tube...
4784	23542	Bobbin Winder Frame Oil Pad for 60517 (2).....
4879	23545	Chain Connecting Link for 4885.....
4881	23545	Treadle for 4885.....
4882	23545	" Shaft for 4885.....
4883	23545	" Spring for 4885.....
4884	23545	" Stand for 4885.....
4885	23545	Treadle complete for 122387, Nos. 4879, 4881 to 4884 and two wood screws 1 in. No. 16.....
5769	23544	Thread Unwinder Tension Thread Eyelet for 60609.....
5868	-----	Oscillating Shaft Crank Slide Block com- plete for 14633, Nos. 190E, 1054C, 5968 and 9119.....
5968	23537	Oscillating Shaft Crank Slide Block Cap Screw Washer for 5868.....
5983	23539	Tension Friction Washer (felt) for 12042 (2).....

## NUMERICAL LIST OF PARTS

No.	Plate	Name
6805	23535	Arm Side Wheel Shaft for 56539.....
7958	23538	Lifting Presser Bar Lifting Link Hinge Stud Pin.....
8482	23537	Oil or Wax Stripper Washer (steel) for 58253 and 58254.....
8702	23535	Arm Dowel Pin (3).....
8760	23538	Lifting Presser Bar Lifter Friction Washer.....
8761	23538	Lifting Presser Bar Lifter Stop Pin for 11909.....
8763	23538	Lifting Presser Bar Lifting Link Hinge Stud for 11909.....
8791	23539	Tension Spring for 12042.....
8873	23535	Thread Take-up Cam Pin.....
8905	23539	Tension Regulating Thumb Nut Washer for 12042.....
8905	23539	Thread Retaining Regulating Thumb Nut Washer for 11503.....
8908	23543	Wrench (Accessories).....
8909	23543	Wrench (Accessories).....
8953	23537	Oil or Wax Stripper (felt) for 58254 (2).....
9084	23537	Oil Cup Cover Hinge Pin for 58254.....
9119	23537	Oscillating Shaft Crank Slide Block for 5868.....
9525	23539	Thread Take-up Spring Staple Washer for 11501.....
9533	-----	Arm Spool Holder Cone (loose) Position Pin for 56597.....
11044	23539	Tension Wheel for 12042.....
11164	23537	Oscillating Rock Shaft Hinge Pin for 56530.....
11165	23537	Oscillating Rock Shaft Oil Pad for 12090
11383	23538	Needle Bar Connecting Stud with two 445C, for 19981.....
11423	23539	Tension Friction Washer (steel) for 12042.....
11424	23539	Thread Eyelet (front of arm) for 11502..
11475	23538	Lifting Presser Bar.....
11476	-----	" " " Bell Crank, obsolete, superseded by 58617, not inter- changeable.....
11478	-----	Lifting Presser Bar Bracket with two 145D, obsolete, use 58643.....
11479	23538	Lifting Presser Bar Rock Shaft for 58245
11481	23538	" " " " " Bracket for 58245.....
11484	23538	Lifting Presser Bar Rock Shaft Crank with 453C and 1850, for 58245.....
11486	23538	Lifting Presser Bar Rock Shaft Eccentric Strap with two each 141F and 1528J..

## NUMERICAL LIST OF PARTS

No.	Plate	Name
11487	23538	Lifting Presser Bar Rock Shaft Eccentric Strap Hinge Screw Slide.....
11488	23538	Lifting Presser Bar Rock Shaft Eccentric Strap Hinge Screw Slide Washer.....
11489	23538	Lifting Presser Bar Sleeve (lower).....
11490	23538	" " " " (upper) for 11491.....
11491	-----	Lifting Presser Bar Sleeve (upper) 11490 with 11492.....
11492	23538	Lifting Presser Bar Sleeve (upper) Cap for 11491.....
11493	23535	Lifting Presser Bar Spring (flat).....
11495	23539	Thread Eyelet (side of arm).....
11501	23539	Tension Bracket and Vibrating Presser Bar Cap complete, Nos. 122E, 9525, 11502, 11506, 11936, 11937, 12042 and two 190E.....
11502	23539	Tension Bracket and Vibrating Presser Bar Cap with 11424, for 11501.....
11503	23539	Thread Retainer complete, Nos. 2103, 8905, 58597 and two 2102.....
11506	23539	Thread Take-up Spring for 11501.....
11509	23538	Vibrating Presser Bar Cushion (rawhide).
11512	23538	" " " Spring.....
11538	23538	Needle Bar.....
11539	23538	" " Connecting Link for 19981....
11831	23543	Screw Driver (large) Accessories.....
11907	23538	Lifting Presser Bar Lifting Link.....
11909	23538	" " " Lifter with 8761 and 8763.....
11917	23537	Oil Cup Cover for 58254.....
11918	23537	Oil or Wax Stripper Washer (steel) for 11917 and 58254.....
11936	23539	Thread Take-up Spring Regulator Plate for 11501.....
11937	23539	Thread Take-up Spring Staple for 11501..
11939	23538	Vibrating Presser Bar Spring Adjusting Staple.....
11950	23539	Thread Eyelet (side of arm) for 11503...
11954	23535	Arm Shaft Bushing.....
11957	23535	" Side Wheel with two 446C, for 56539.
12002	23540	Shuttle Cylinder Latch Pin for 122421...
12042	-----	Tension Wheel complete for 11501, Nos. 8791, 8905, 11044, 11423, 58598 and two 5983.....
12044	23535	Thread Take-up Cam with two 434C.....
12087	23537	Feed Rock Shaft for 14630.....
12088	23537	Oscillating Shaft Crank for 14633.....
12090	23537	" Rock Shaft with 11165, for 56530.....

## NUMERICAL LIST OF PARTS

No.	Plate	Name
12091	23535	Feed Regulator.....
12096	23535	Crank Connecting Rod with two 145E.....
12097	23535	Feed Forked Connection.....
13351	-----	Chain, 46 in. to 55 in. long, with 56864 and 56865, for 122387.....
14535	23540	Shuttle Bobbin for 122423.....
14554	23540	" Race.....
14563	23541	Throat Plate Needle Hole Strip for 56608
14630	-----	Feed Rock Shaft complete, Nos. 12087 and 14631, for 56709.....
14631	23537	Feed Rock Shaft Crank with 453C, for 14630.....
14633	-----	Oscillating Shaft Crank complete, Nos. 453C, 1513J, 5868 and 12088.....
14710	23537	Arm Side Cover.....
14715	23537	Feed Dog Carrier for 56709.....
14783	23541	Throat Plate Holder.....
*15404	-----	Trade Mark for 122368.....
15405	-----	" " Rivet (2) for 122368.....
17429	23535	Arm Shaft Gear with 453C.....
17547	23544	Thread Unwinder Tension Thread Guide for 60609.....
19510	23537	Lifting Lever Spring for 122387.....
19702	23538	Needle Clamp with 680F.....
19951	-----	Lifting Presser Foot with 211F, obsolete, use 58540.....
19981	-----	Needle Bar Connecting Stud 11383 with 11539.....
25200	23543	Wrench (Accessories).....
26026	23543	Screw Driver (small) Accessories.....
26070	23542	Bobbin Winder Friction Pulley Ring (leather) Rivet for 43270 (8).....
26485	23543	Screw Driver (shuttle tension) Accessories.....
27560	23544	Thread Unwinder Thread Guard Rod, 28 in. long, for 41823.....
41441	23542	Bobbin Winder Frame Hinge Pin for 60517.
41446	23542	" " Stop Latch Hinge Pin for 60735.....
41544	23538	Vibrating Presser Bar Hinge Cap Screw Washer.....
41823	23544	Thread Unwinder complete for two large spools, for 60579, Nos. 27560, 60609, 202490, 225257, two 150203 and three wood screws 1 1/4 in. No. 12.....
41894	23542	Bobbin Winder Base with 449C, for 60517.
41895	23542	" " Bobbin Carrier Key for 41898.....
41896	23542	Bobbin Winder Frame for 60517.....
41897	23542	" " " Spring for 60517....

## NUMERICAL LIST OF PARTS

No.	Plate	Name
41898	23542	Bobbin Winder Spindle with 41895, for 60517.....
41899	23542	Bobbin Winder Tripping Arm with 176E, for 60517.....
42418	-----	Thread Unwinder Tension Screw Stud 828C with 1560C, for 60609.....
43267	23538	Lifting Presser Bar Lifting Link Hinge Stud Washer.....
43270	23542	Bobbin Winder Friction Pulley with 43271, two 448C and eight 26070, for 60517.....
43271	23542	Bobbin Winder Friction Pulley Ring (leather) for 43270.....
50172D	23542	Bobbin Winder Bracket Screw for 60579 (2).....
50322D	23535	Feed Regulator Thumb Screw.....
50323D	23535	Pressure Regulating Thumb Screw.....
50437D	23538	Thread Take-up Lever Hinge Screw for 58320.....
52165	23535	Feed Connecting Link.....
56530	23537	Oscillating Rock Shaft 12090 with 11164.....
56539	-----	Arm Side Wheel Shaft 6805 with 11957....
56564	23536	Balance Wheel (two speeds) 4 3/8 in. and 7 in. pulleys, with two 354C.....
56595	23535	Arm Shaft.....
56596	23535	" Spool Holder Bracket for 56600.....
56597	23535	" " " Cone (loose) with 9533, for 56600.....
56598	23535	Arm Spool Holder Cone (tight) for 56599.....
56599	23535	" " " Spindle with 2117 and 56598, for 56600.....
56600	23535	Arm Spool Holder complete, Nos. 150C, 1751E, 56596, 56597 and 56599.....
56601	23535	Balance Wheel Key.....
56602	23541	Feed Dog (double) 10 teeth (13 teeth to the inch).....
56607	23541	Throat Plate Body for 56608.....
56608	23541	Throat Plate complete for 56602, Nos. 14563, 56607 and two 401D.....
56609	23538	Vibrating Presser Bar.....
56610	23541	" " Foot.....
56624	23535	Arm Side Wheel Shaft Gear with 453C.....
56709	-----	Feed Rock Shaft 14630 with 14715.....
56713	23540	Shuttle Driver and Feed Lifting Cam....
56864	23543	Chain Hook (large) for 13351.....
56865	23543	" " (small) for 13351.....
58245	-----	Lifting Presser Bar Rock Shaft Bracket 11481 with 11479, 11484, 58578 and 58656.....
58252	23535	Lifting Presser Bar Spring Bracket.....
58253	23537	Oil Cup for 58254.....

## NUMERICAL LIST OF PARTS

No.	Plate	Name
58254	23537	Oil Cup complete, Nos. 2205, 8482, 9084, 11917, 11918, 58253, two 8953 and three 207F.....
58295	23538	Thread Take-up Lever for 58296.....
58296	-----	" " " 58295 with 1995, for 58320.....
58320	23538	Thread Take-up Lever 58296 with 50437D..
58540	23541	Lifting Presser Foot with 211F.....
58578	23538	Lifting Presser Bar Rock Shaft Adjusting Arm with 453C, for 58245.....
58597	-----	Thread Retaining Screw Stud 606E with 1560C, for 11503.....
58598	-----	Tension Screw Stud 607E with 1560C, for 12042.....
58617	23538	Lifting Presser Bar Bell Crank.....
58643	23538	" " " Bracket with two 145D.....
58656	23535	Arm Shaft Gear Pin.....
58656	23535	" Side Wheel Shaft Gear Pin.....
58656	23537	Feed Rock Shaft Crank Pin.....
58656	23538	Lifting Presser Bar Rock Shaft Adjusting Arm Pin for 58245.....
58656	23538	Lifting Presser Bar Rock Shaft Crank Pin
58656	23537	Oscillating Shaft Crank Pin.....
60516	23542	Bobbin Winder Stop Latch 60735.....
60517	23542	Bobbin Winder, Nos. 41441, 41894, 41896 to 41899, 43270, 60735 and two 4784, for 60579.....
60578	23542	Bobbin Winder Bracket for 60579.....
60579	-----	Bobbin Winder (swinging automatic, left hand) complete, Nos. 41823, 60517, 60578, two 50172D and three 894D....
60608	23544	Thread Unwinder Thread Guard for 60609..
60609	-----	Thread Unwinder Thread Guard complete for 41823, Nos. 330B, 2103, 5769, 17547, 42418, 60608 and two 2102.....
60735	-----	Bobbin Winder Stop Latch 60516 with 2269 and 41446, for 60517.....
120346	23543	Oiler with 120347 (Accessories).....
120347	23543	" Spout, 8 1/2 in. long, for 120346.
120571	23543	Shuttle (cylinder) Opener (Accessories)
122332	23540	" Race Ring.....
*122368	-----	Arm with 15404 and two 15405.....
122372	23535	" Side Wheel Shaft Bushing.....
*122377	-----	Cylinder (3 1/8 in. diam.).....
122381	23537	Oscillating Shaft Bushing (front).....
122383	23537	" Shaft.....
122384	23538	Vibrating Presser Bar Hinge Bracket with 145F.....
122385	23537	Lifting Lever for 122387.....

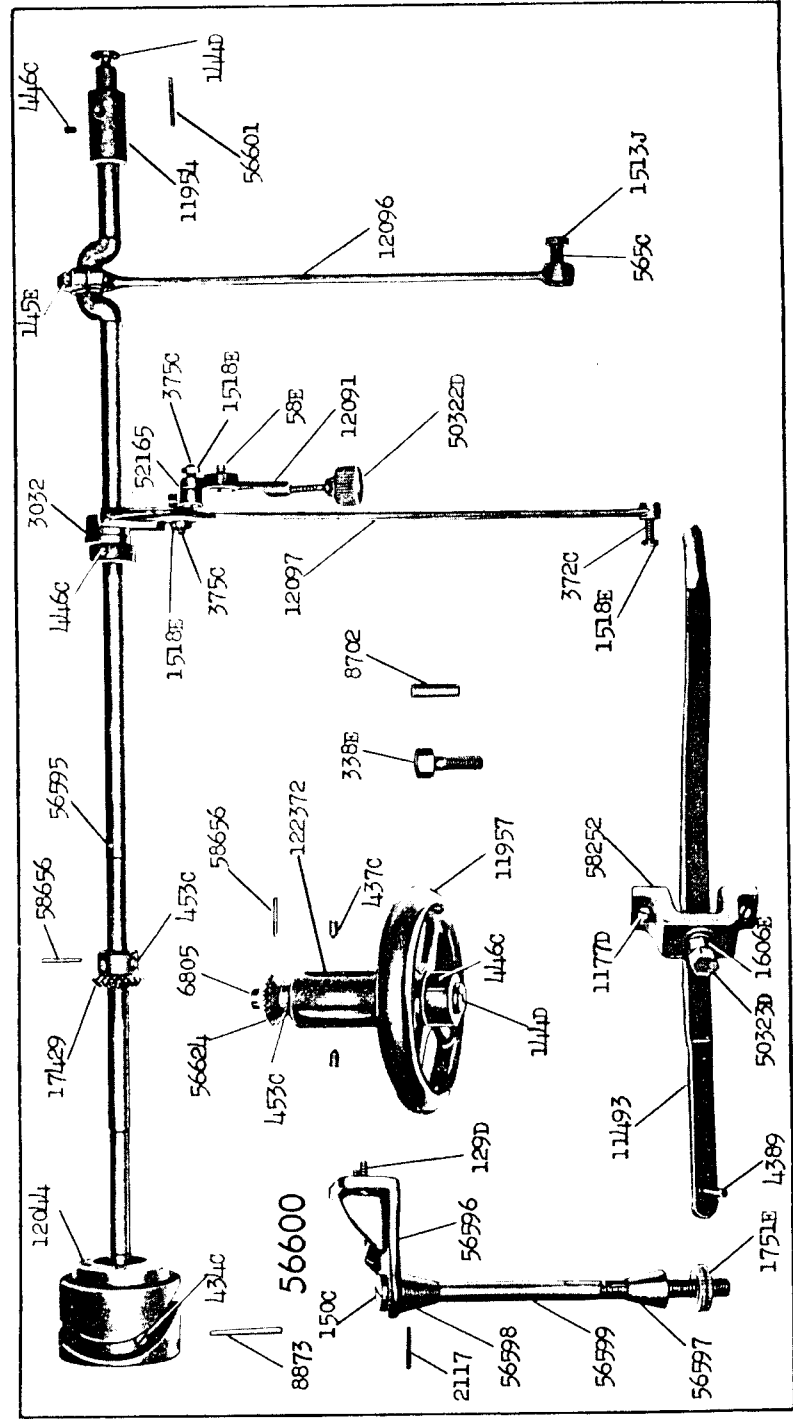
## NUMERICAL LIST OF PARTS

No.	Plate	Name
122386	23538	Lifting Lever Link for 122387.....
122387	-----	Foot Lifter complete, Nos. 58D, 4885, 8999, 13351, 19510, 122385, 122386 and two each 76D and 86D.....
122409	23540	Shuttle Cylinder Hinge Pin for 122423...
122410	23540	" " Latch for 122421.....
122417	23540	" " for 122418.....
122418	23540	" " 122417 with 773F and 122422, for 122423.....
122419	23540	Shuttle Cylinder Latch Spring for 122421
122420	23540	" Frame for 122421.....
122421	23540	" " 122420 with 12002, 122410 and 122419, for 122423.....
122422	23540	Shuttle Tension Spring for 122418.....
122423	23540	Shuttle (cylinder) 2 1/2 in. diam., com- plete, Nos. 14535, 122409, 122418 and 122421.....
150203	23544	Thread Unwinder Spool Rest Cushion (felt) for 41823.....
201018C	23544	Thread Unwinder Spool Rest Set Screw for 225257.....
200383C	23544	Thread Unwinder Spool Stand Set Screw for 202490.....
202490	23544	Thread Unwinder Spool Stand with 200383C, for 41823.....
225257	23544	Thread Unwinder Spool Rest (for two spools) with 201018C, for 41823.....

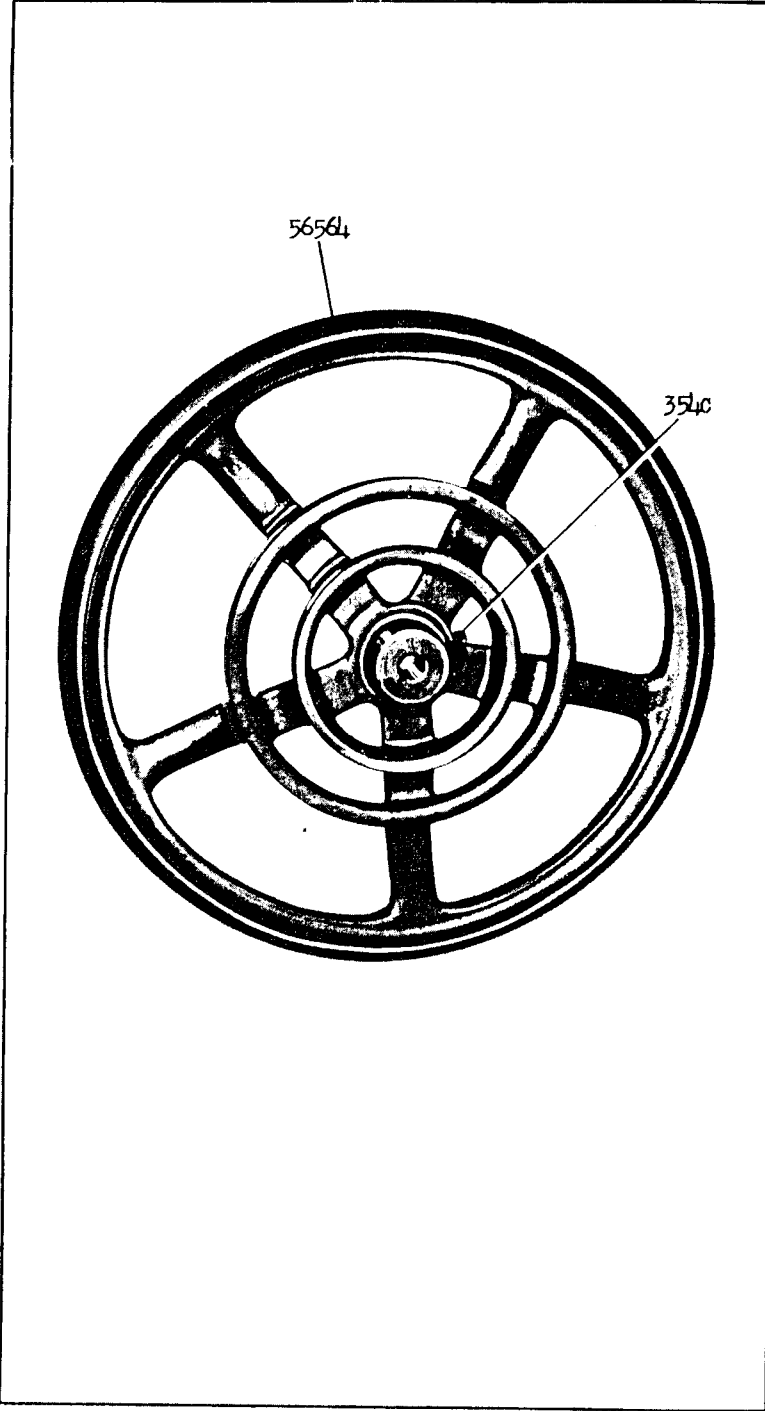
Genuine Singer Needles should be used  
in Singer Machines.  
These Needles and their Containers  
are marked with the  
Company's Trade Mark "SIMANCO." 1

Needles in Containers marked  
"For Singer Machines"  
are not Singer made needles. 2

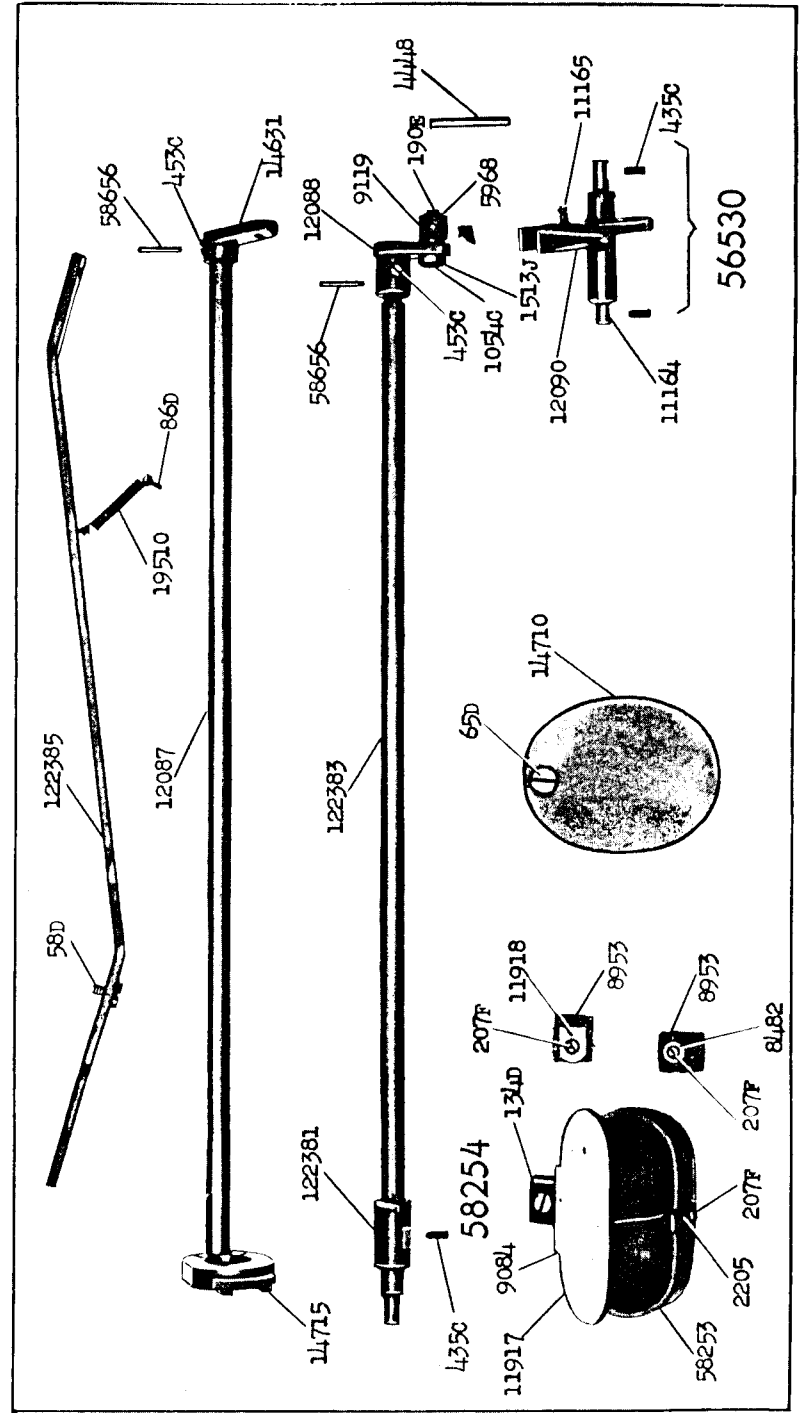
## ILLUSTRATIONS OF PARTS



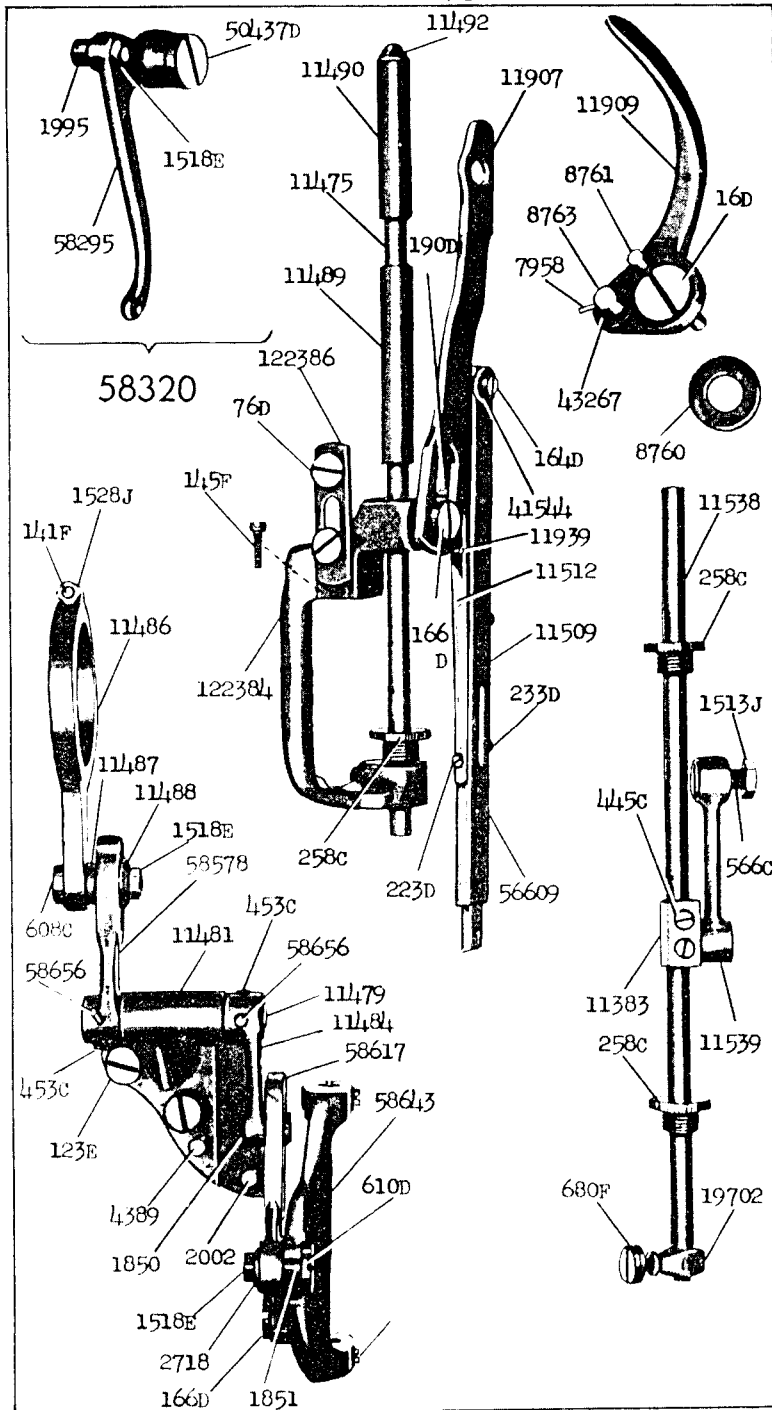
23536 - 1/4



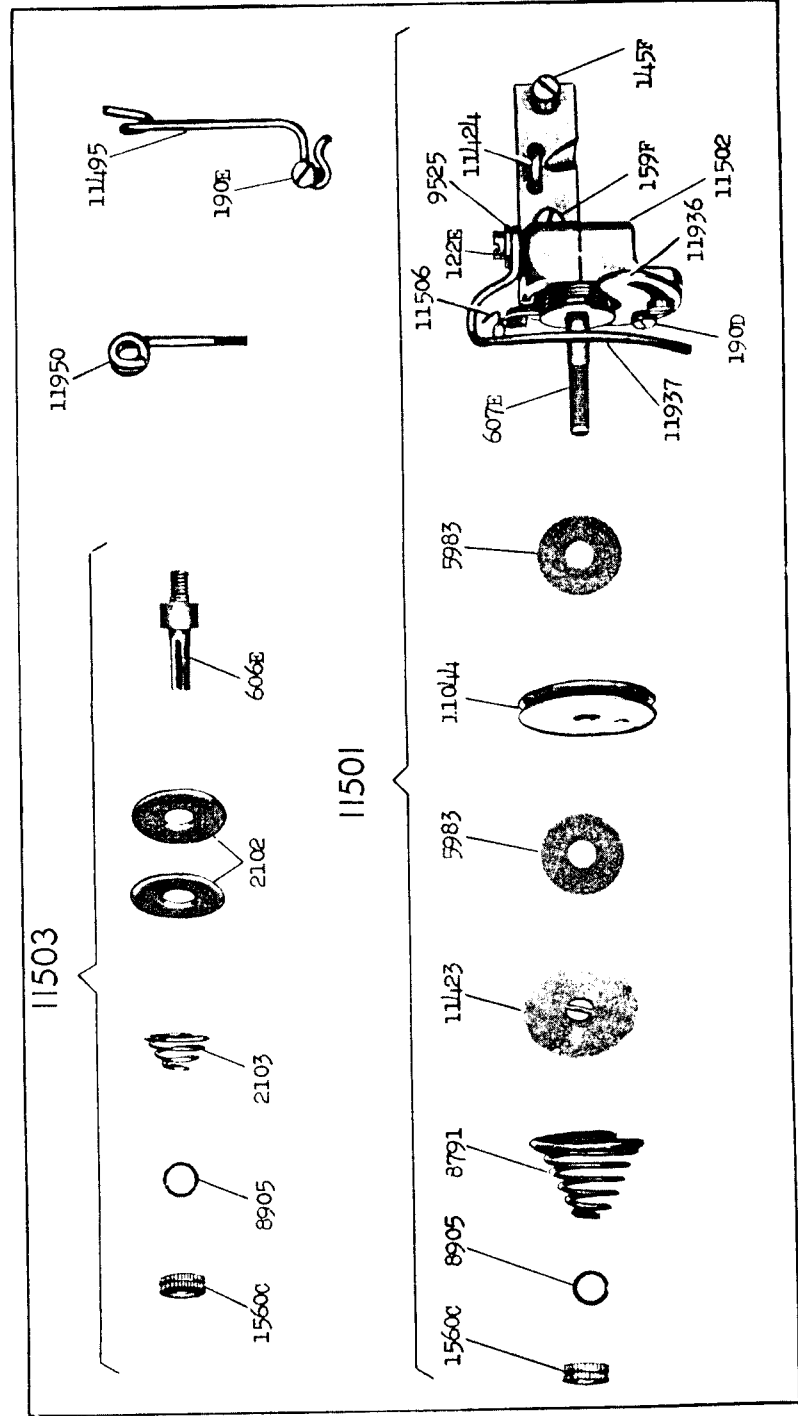
23537 - 1/4



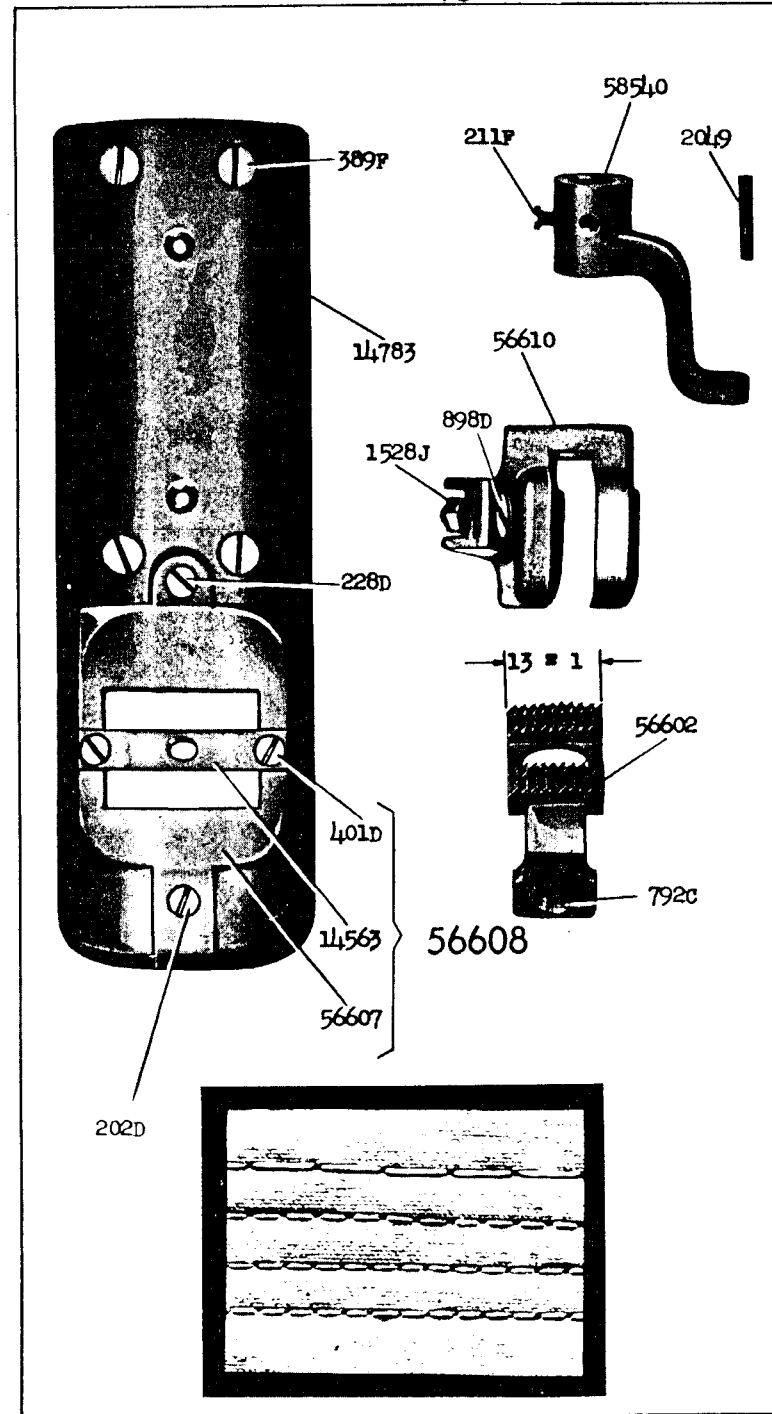
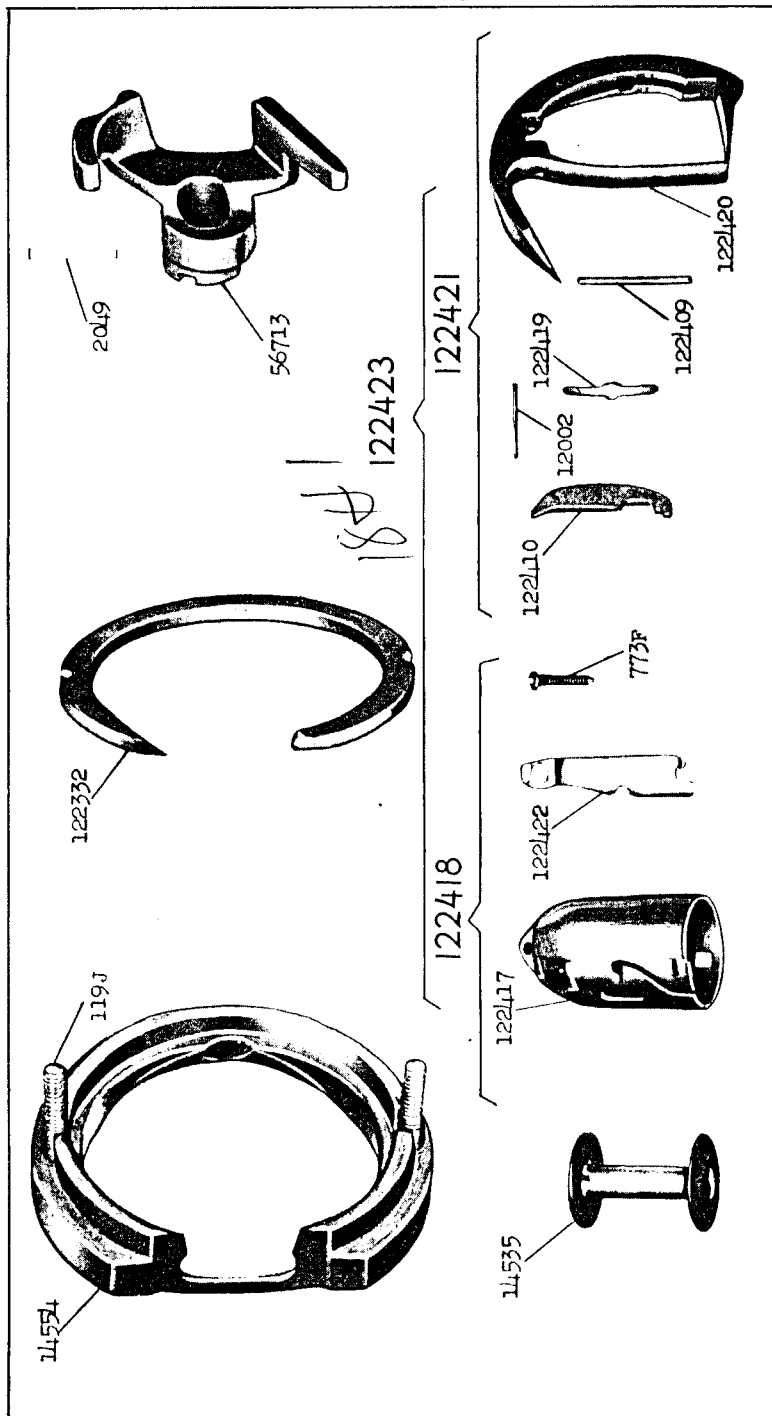
23538 - 1/3



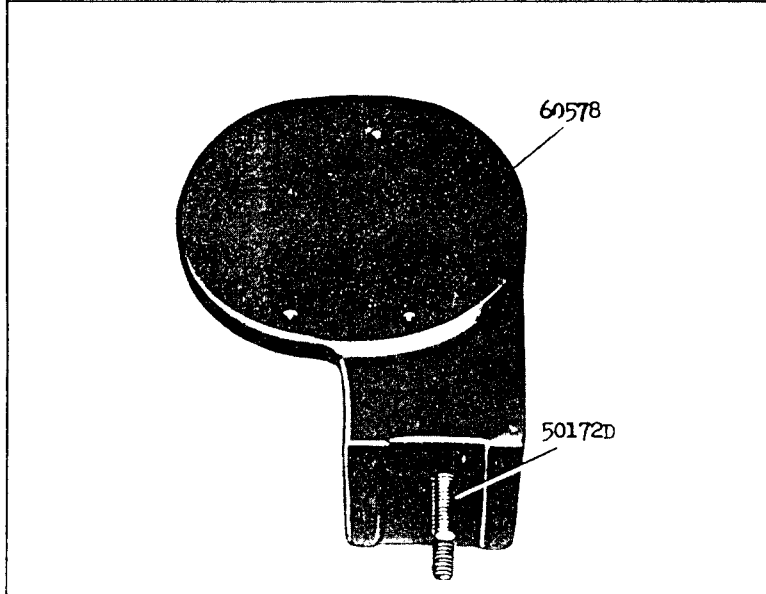
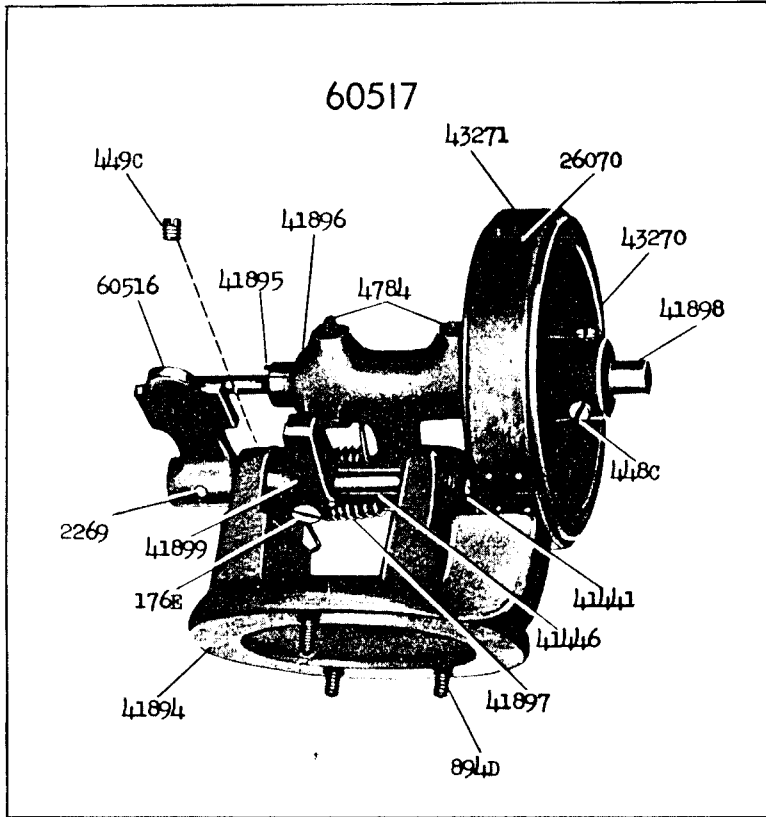
23539 - 1/2



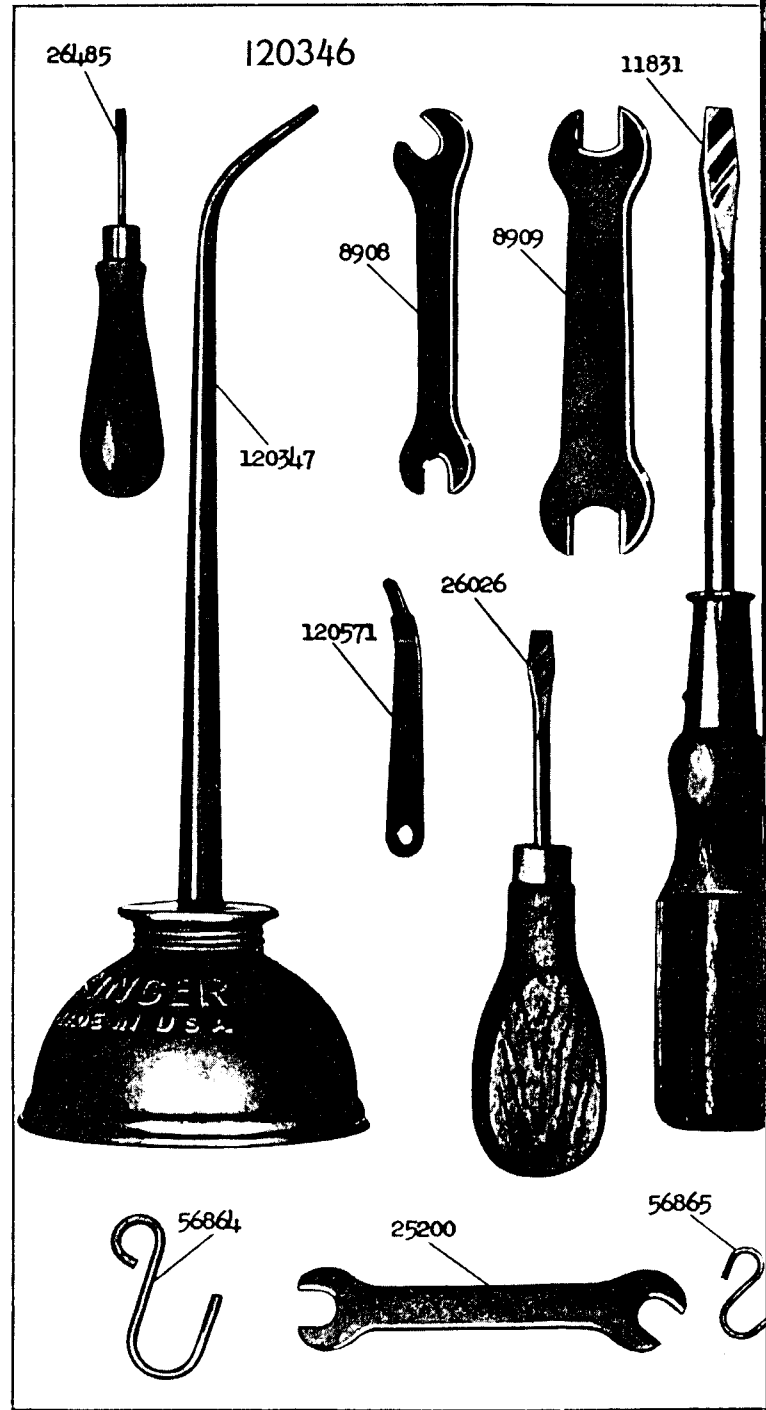




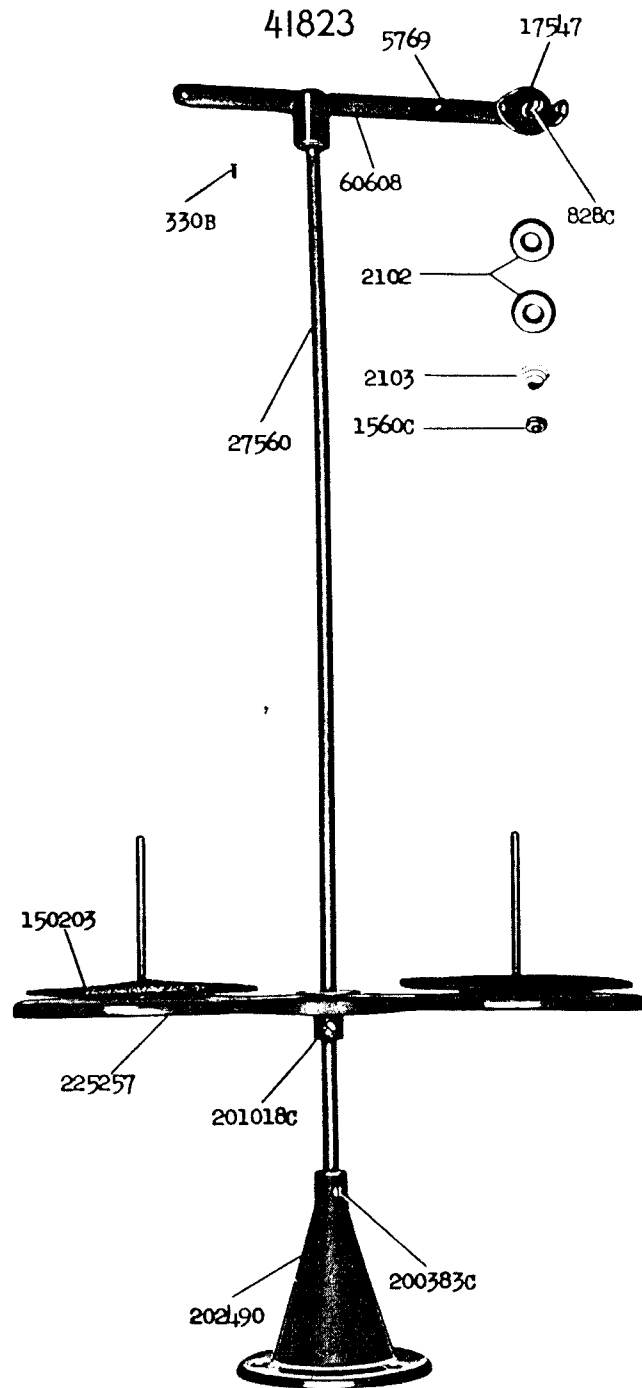
23542 - 1/2



23543 - 1/2



23544 - 1/4



23545 - 1/2

