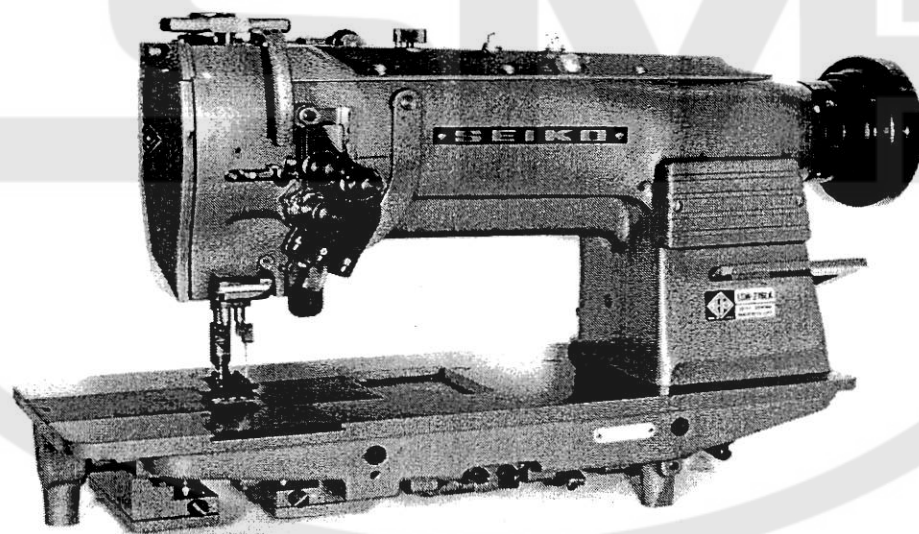


# SEIKO

## パーツリスト PARTS LIST

LSW-27BLK  
LSW-28BLK  
LTW-27BK



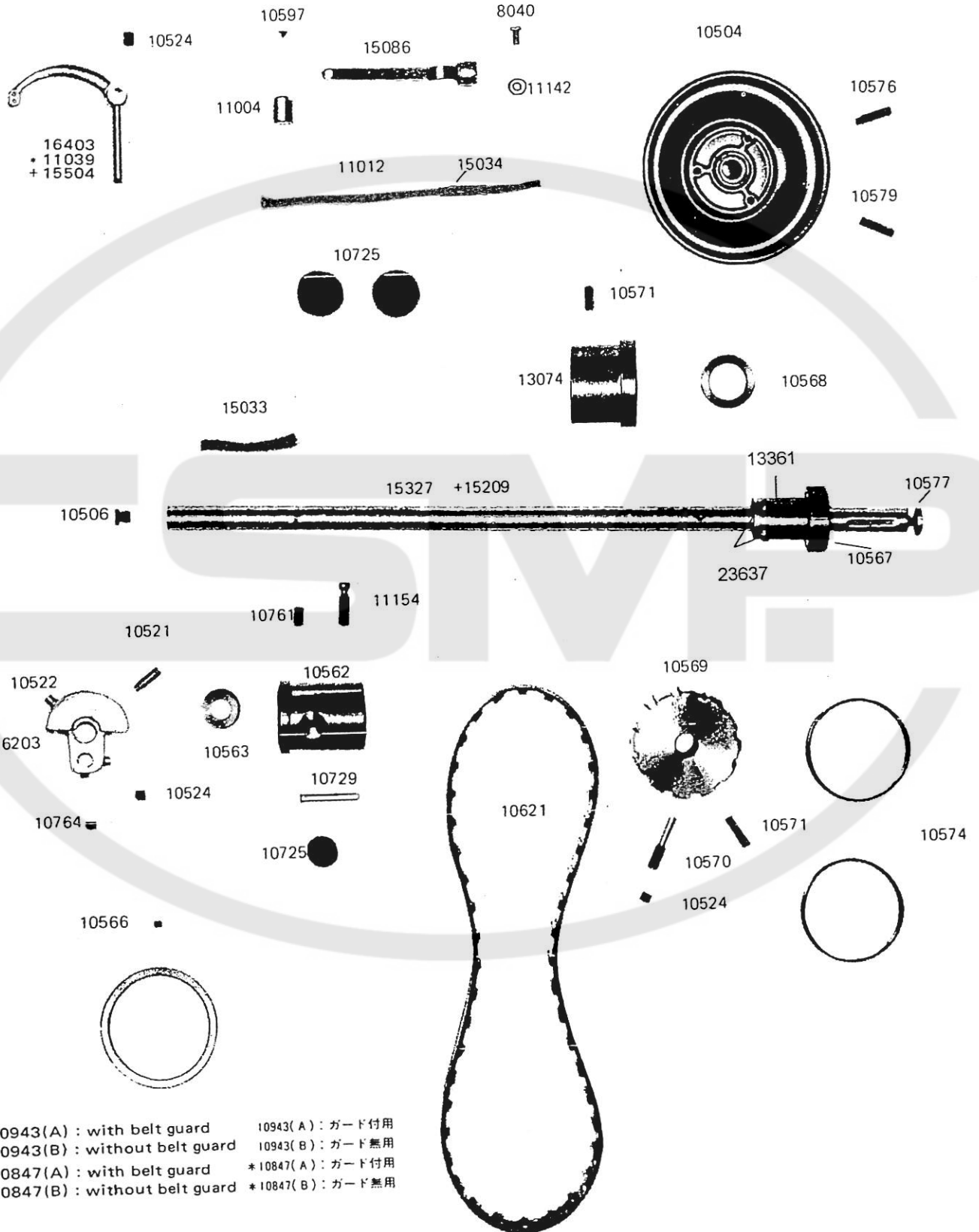
SEIKO SEWING MACHINE CO., LTD.

# INDEX

## 目次

THREAD TAKE UP LEVER, UPPER SHAFT .....	1
天秤・上軸関係	
NEEDLE BAR ROCK FRAME, NEEDLE BAR .....	2
針棒土台関係	
CHANGE OVER PARTS .....	3
針棒切り換え及び上板関係	
PRESSER BAR, PRESSER LIFTER .....	4
押え棒・弓関係	
THREAD GUIDE, TENSION BRACKET, OIL WICK .....	5
調子板・給油関係	
TOP COVER, FACE PLATE, SLIDE PLATE .....	6
上板、面板、横板関連部及び角板関係	
FEED BAR .....	7
上送り竿・下送り竿関係	
LOWER SHAFT .....	8
下軸関係	
HOOK SADDLE .....	9
カマ土台関係	
HOOK FOR MODEL LSW-27BLK・28BLK, LTW-27BK .....	10
LSW-27BLK 28BLK , LTW-27BK ・カマ	
REVERSE FEEDING .....	11
バック機構関係	
GAUGE PARTS .....	12
ゲージ関係	
GAUGE PARTS .....	13
ゲージ関係	
ADDITIONAL SPECIAL PARTS FOR LSW-28BLK .....	14
LSW-28BLK 専用部品	
ACCESSORIES .....	15
附属関係	
BELT GUARD .....	16
ベルトガード関係	

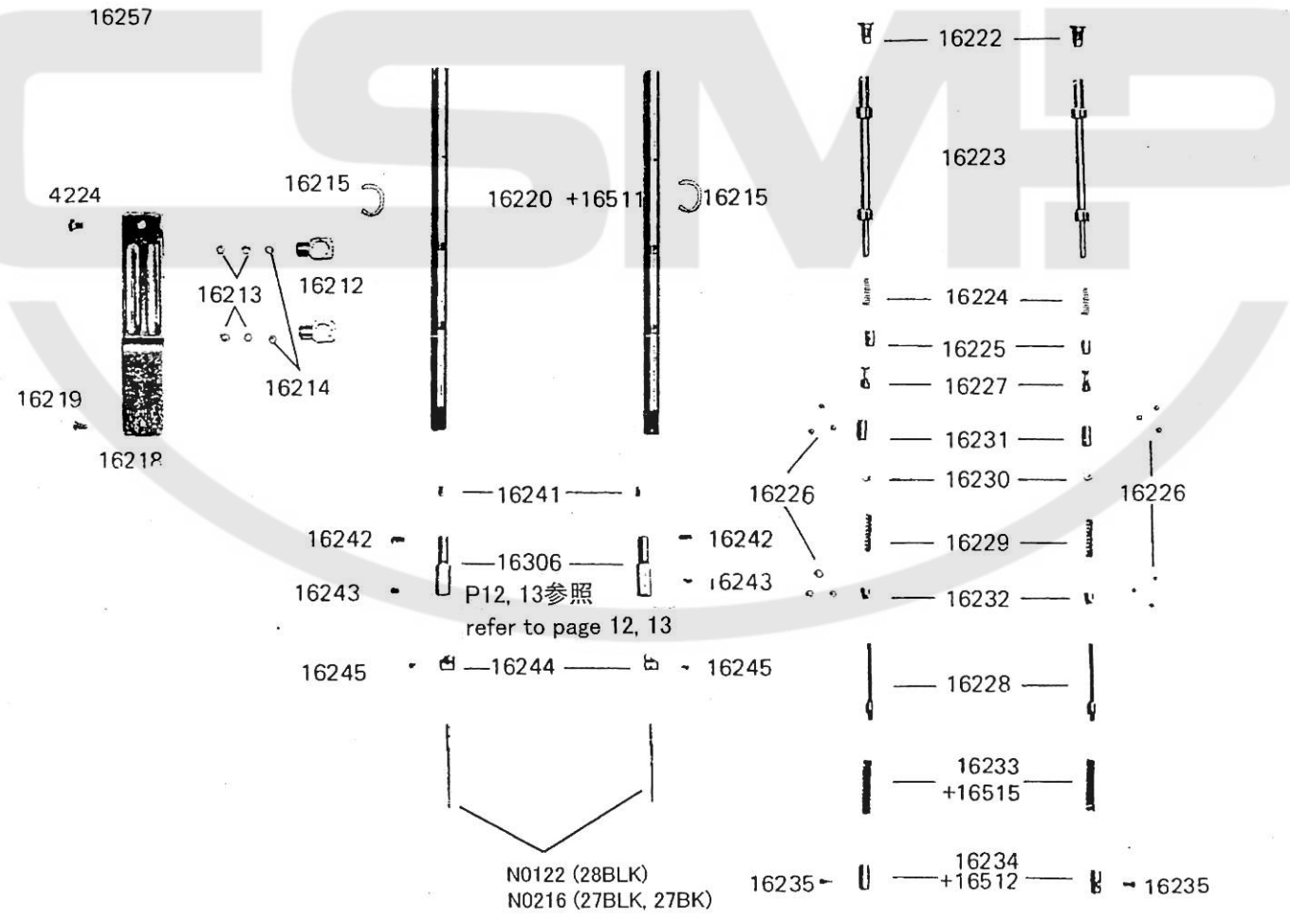
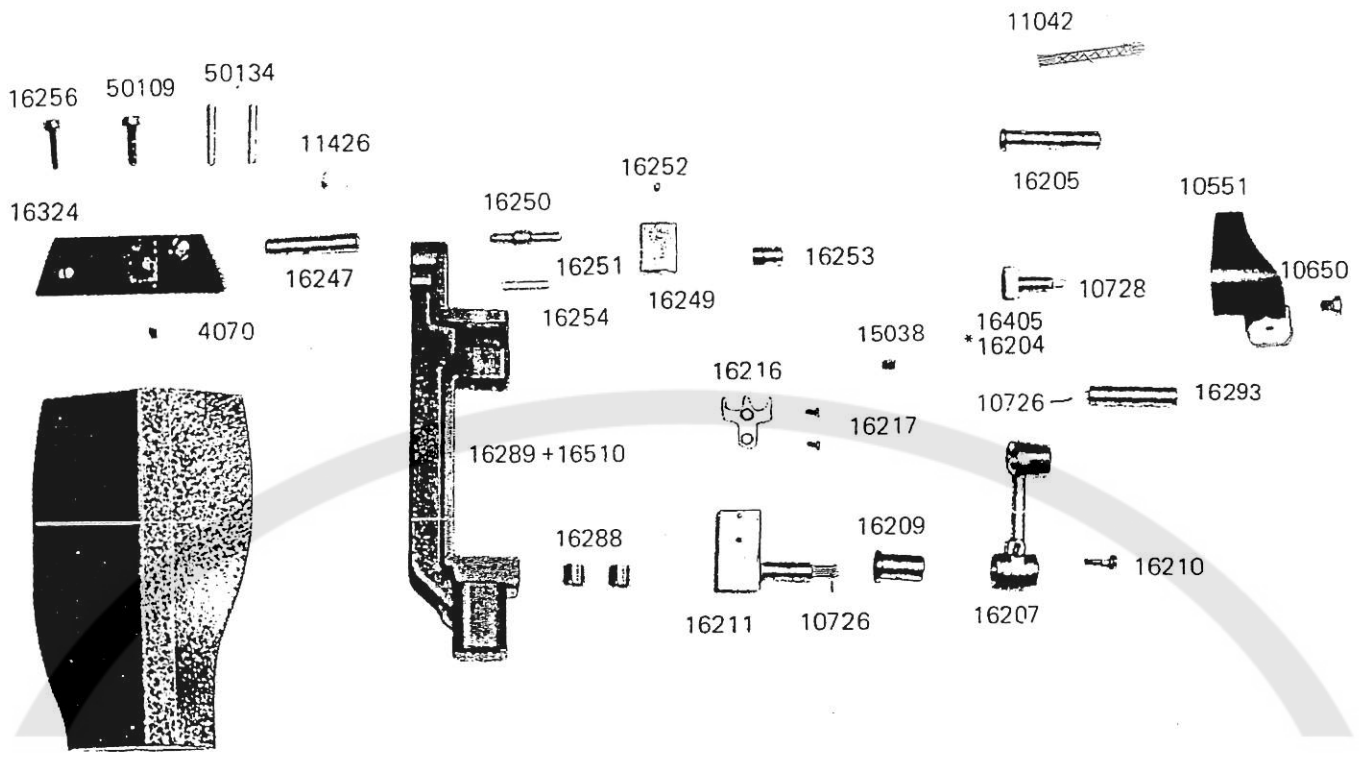
天秤・上軸関係  
 THREAD TAKE UP LEVER, UPPER SHAFT



- |                                |                   |
|--------------------------------|-------------------|
| 10943(A) : with belt guard     | 10943(A) : ガード付用  |
| 10943(B) : without belt guard  | 10943(B) : ガード無用  |
| *10847(A) : with belt guard    | *10847(A) : ガード付用 |
| *10847(B) : without belt guard | *10847(B) : ガード無用 |

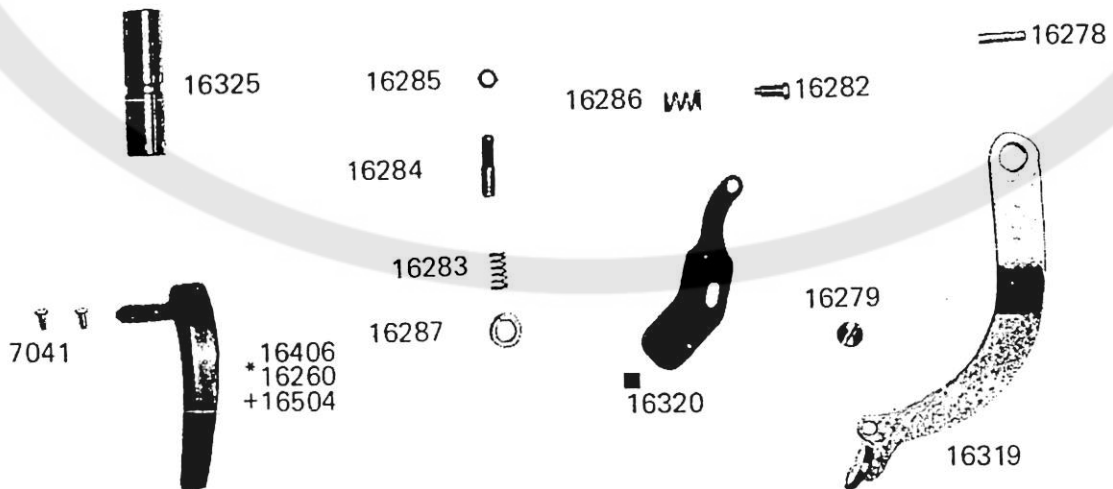
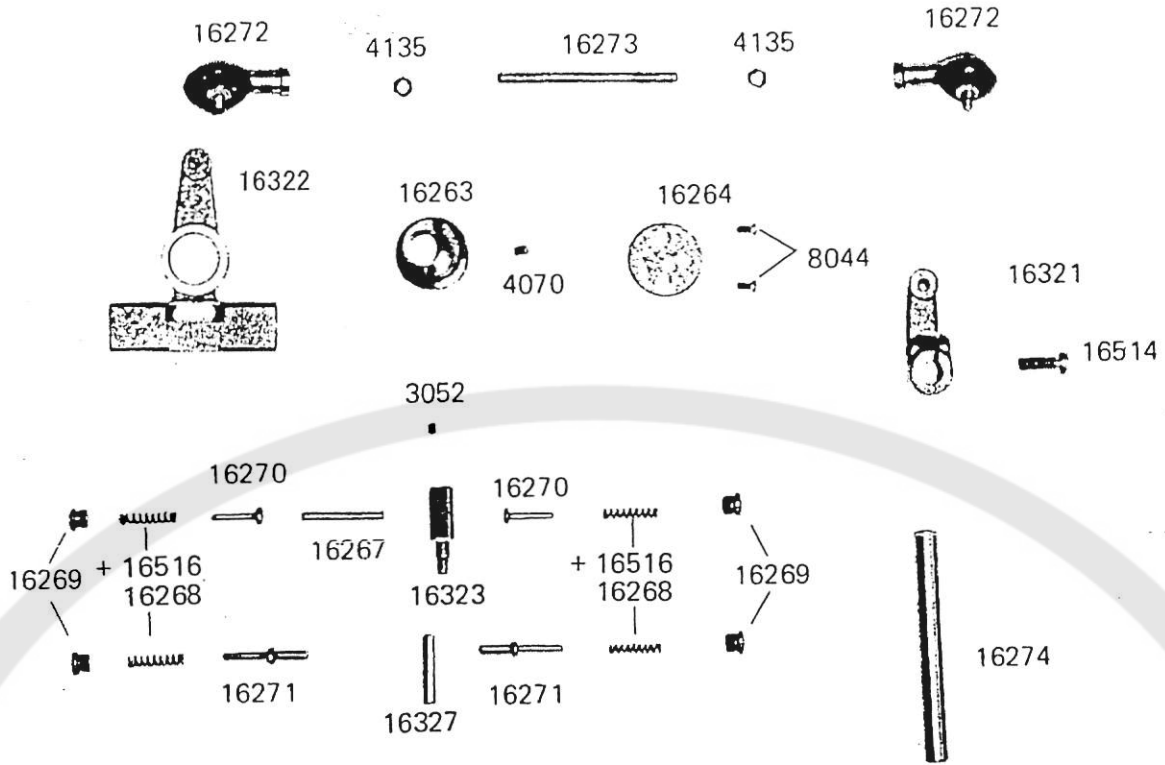
\* marked parts are only for Model LTW-27BK (\*印は LTW-27BK のみ)  
 + marked parts are only for Model LSW-28BLK (+印は LSW-28BLK のみ)

針棒土台関係  
NEEDLE BAR ROCK FRAME, NEEDLE BAR



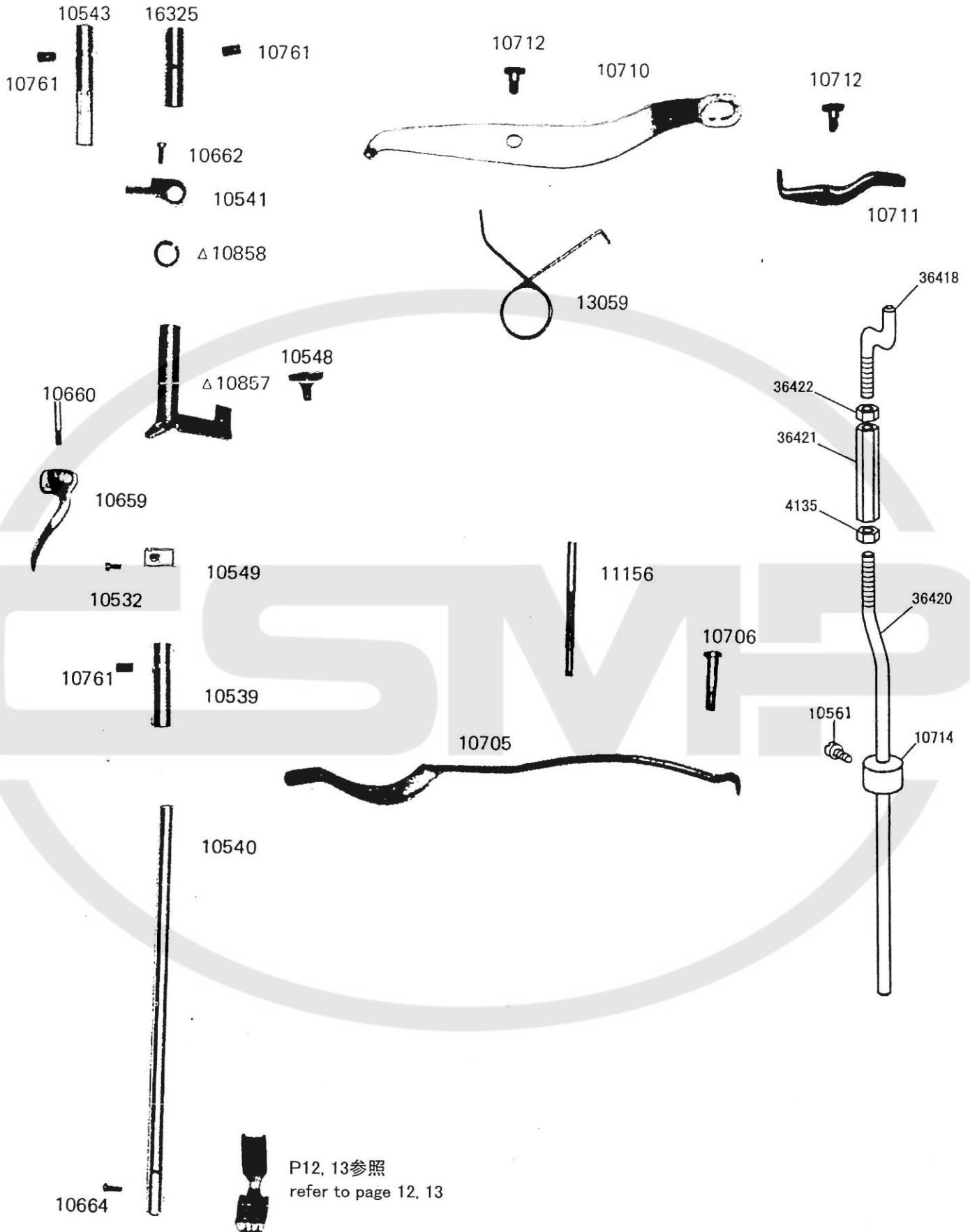
\* marked parts are only for Model LTW-27BK (\*印は LTW-27BK のみ)  
+ marked parts are only for Model LSW-28BLK (+印は LSW-28BLK のみ)

針棒切り換え及び上板関係  
CHANGE OVER PARTS



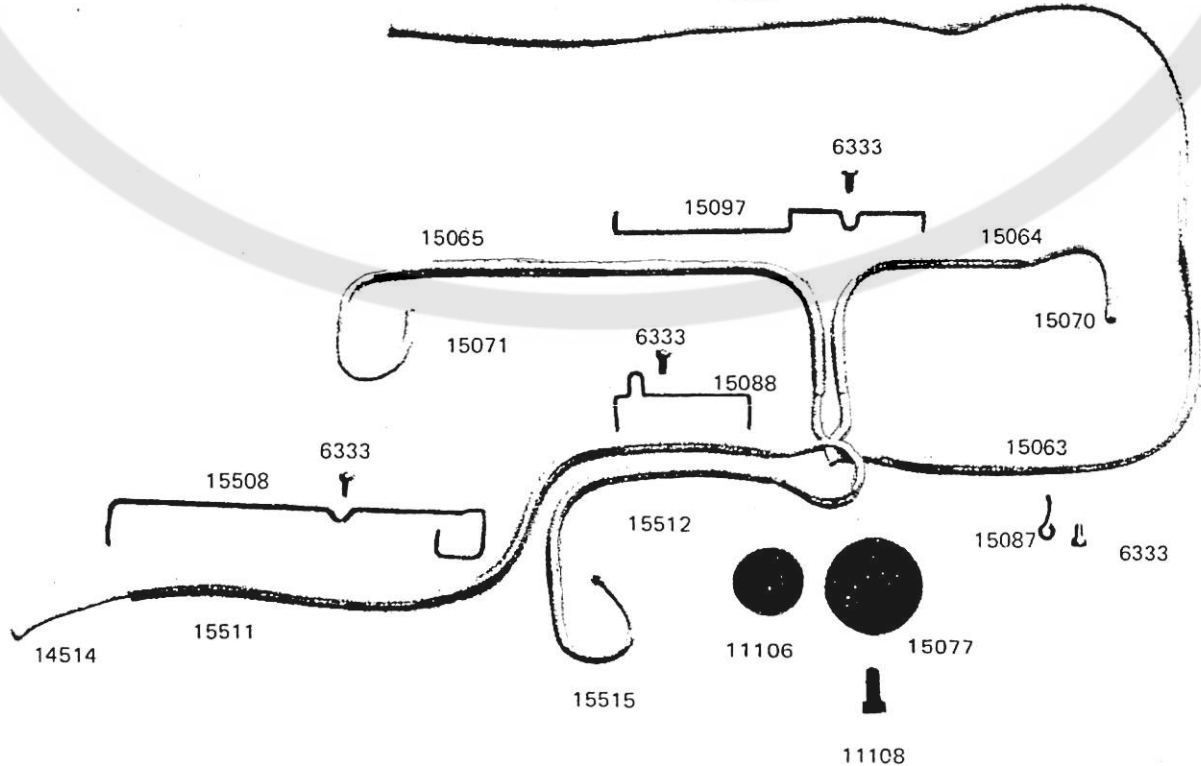
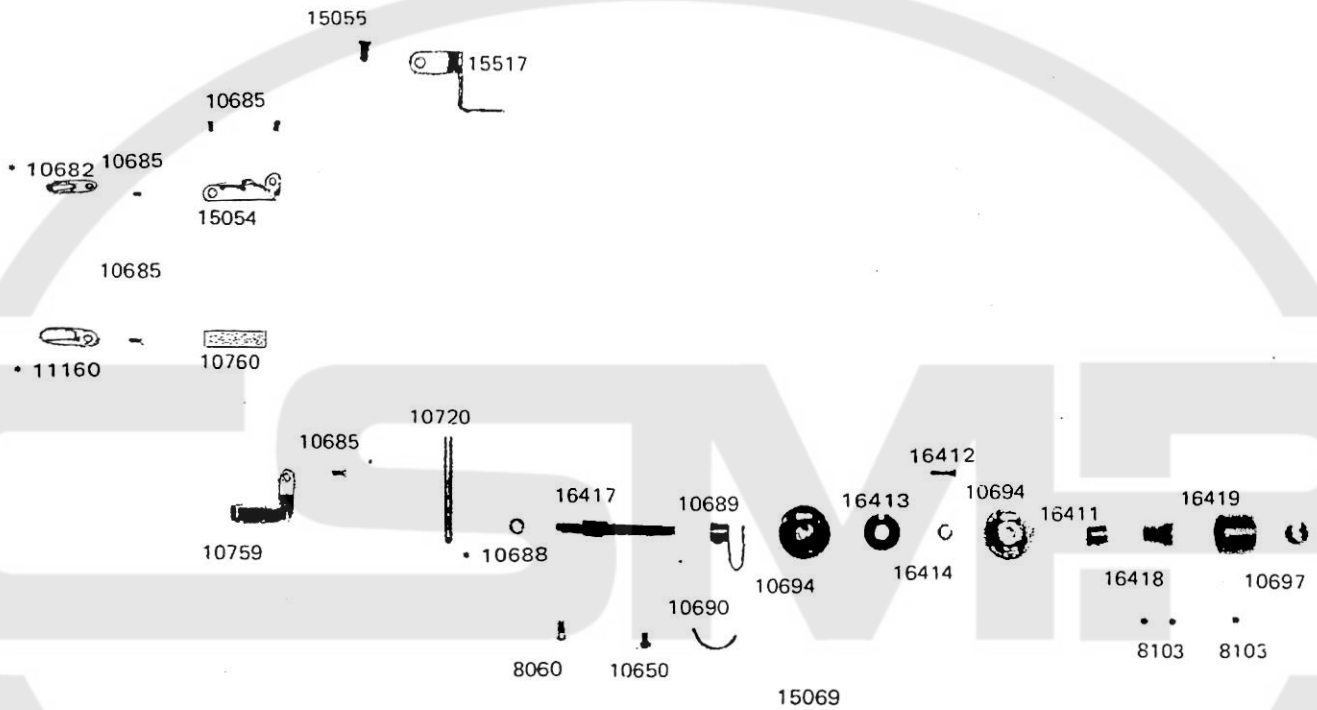
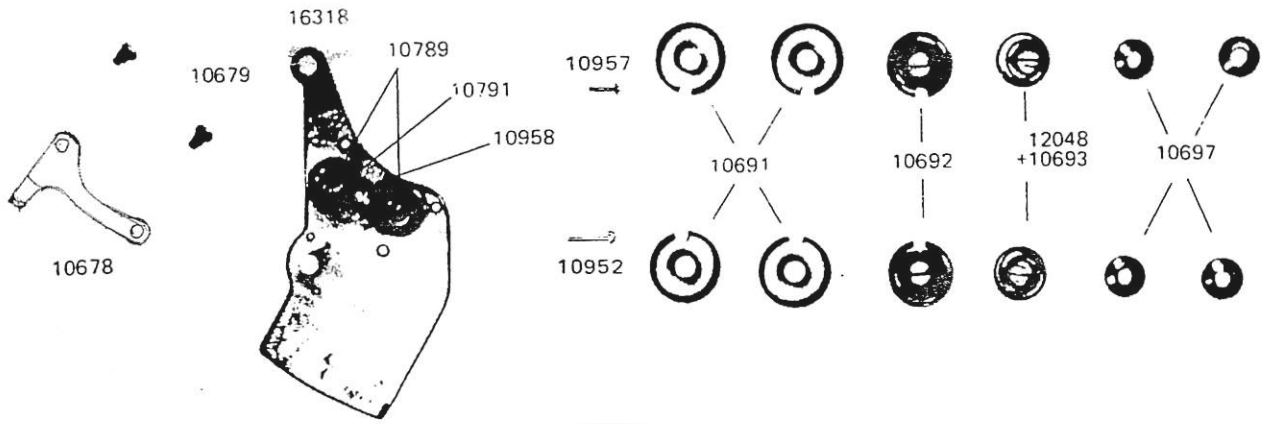
\* marked parts are only for Model LTW-27BK (\*印は LTW-27BK のみ)  
+ marked parts are only for Model LSW-28BLK (+印は LSW-28BLK のみ)

押え棒・弓関係  
PRESSER BAR, PRESSER LIFTER



△ marked parts are not used for Model LSW-28BLK (△印は LSW-28BLK には不要)

THREAD GUIDE, TENSION BRACKET, OIL WICK



\* marked parts are only for Model LTW-27BK (\*印は LTW-27BK のみ)  
 + marked parts are only for Model LSW-28BLK (+印は LSW-28BLK のみ)

上板、面板、横板関連部及び角板関係  
TOP COVER, FACE PLATE, SLIDE PLATE

11006



13076

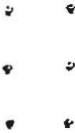
15007



15004

15006

15039



15036

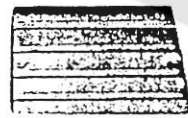


15038

15039

15037

8040



- 10041 (1/8")
- 10042 (3/16"~1/4")
- 10043 (5/16")
- 10044 (3/8")
- 10045 (7/16"~1/2")
- 10046 (5/8")
- 10047 (3/4")
- 10048 (7/8")
- 10049 (1")

- 10060 (1/8"~3/16")
- 10061 (7/32"~3/8")
- 10062 (7/16"~1/2")
- 10063 (5/8"~3/4")
- 10064 (7/8"~1")



13085



10667

10668



40203C

ゲージサイズ Needle gauge size	3/16"(4.8mm), 1/4"(6.4), 5/16(7.9mm), 3/8"(9.5mm)
-----------------------------	---

上記以外のゲージサイズは、別途御見積りになります。(対応可能ゲージサイズは1/8"~1")

Other needle gauges are available within 1/8" to 1" at extra cost.

15057



15059



8009

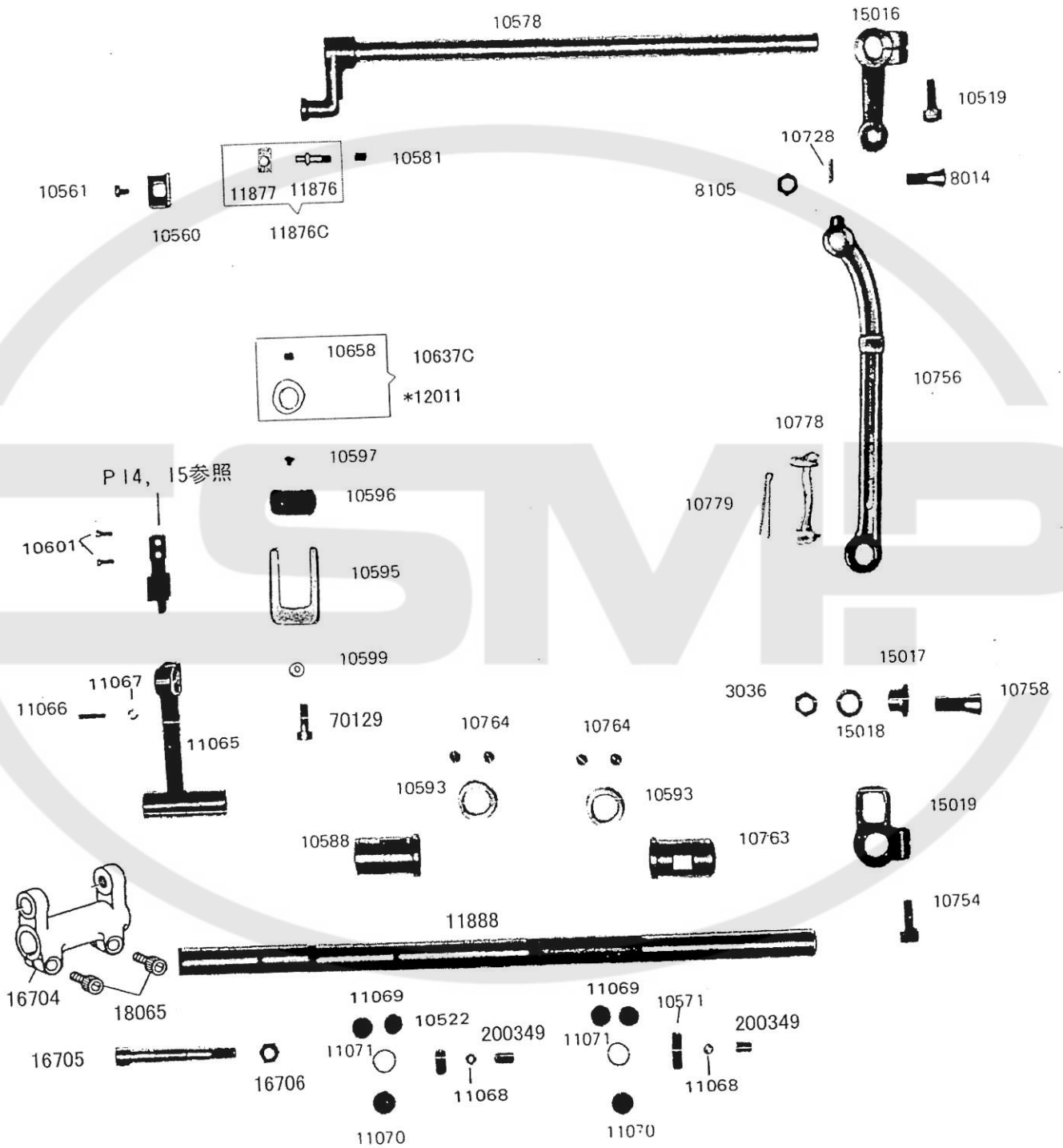
15061



15058



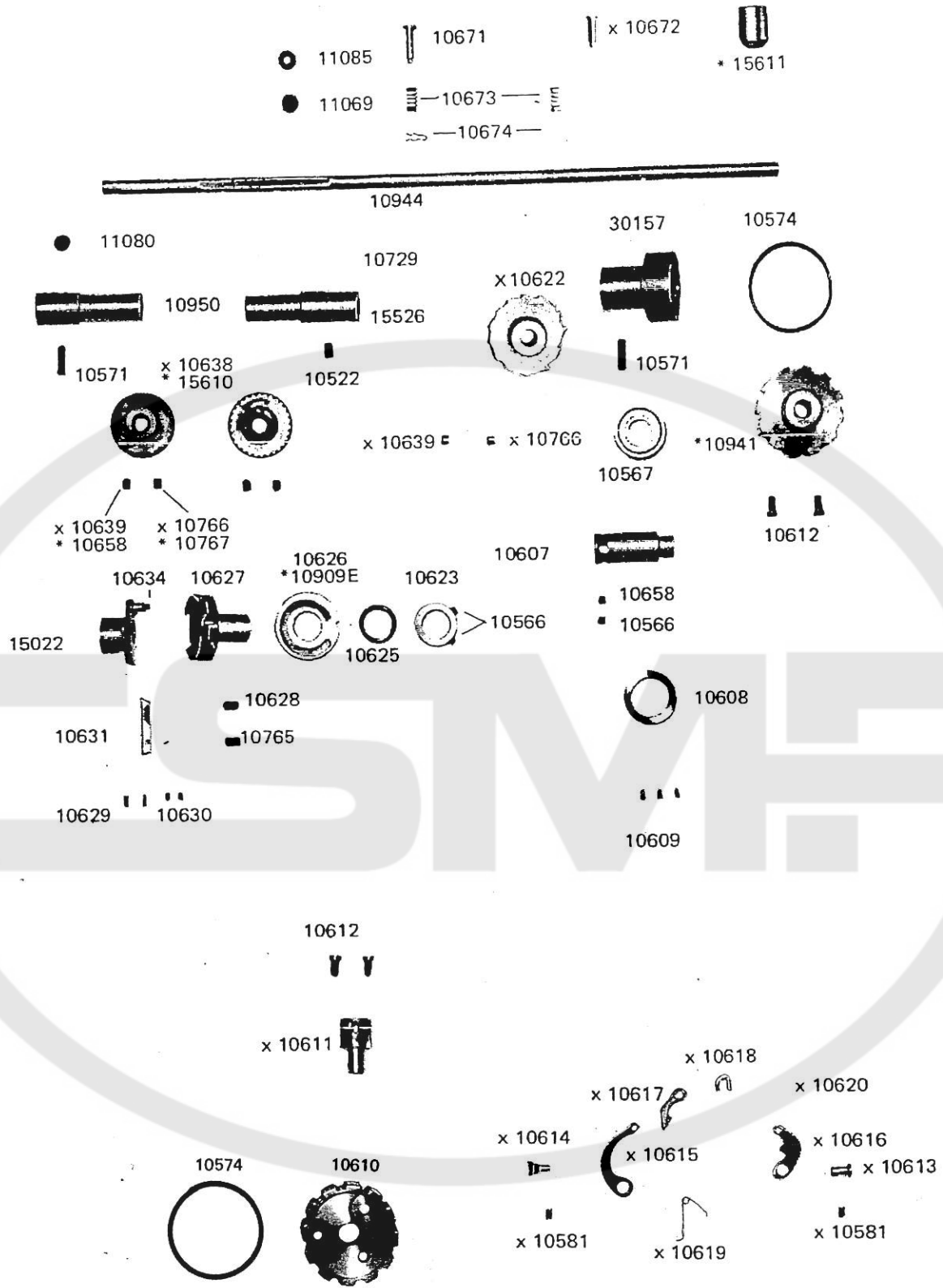
上送り竿・下送り竿関係  
FEED BAR



\* marked parts are only for Model LTW-27BK

(\*印は LTW-27BK のみ)

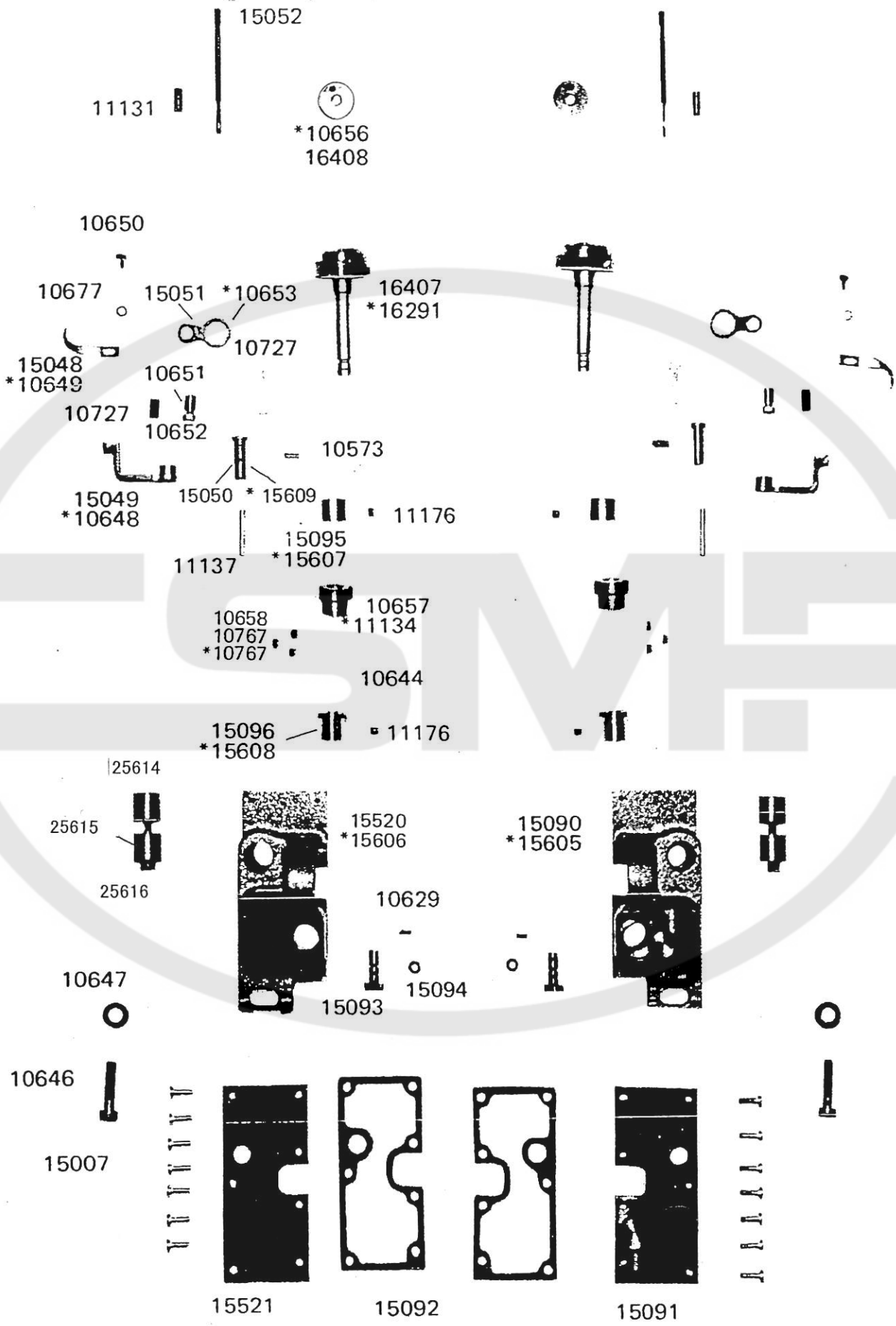
# 下軸関係 LOWER SHAFT



\* marked parts are only for Model LTW-27BK  
 x marked parts are only for Model LSW-27BLK, -28BLK

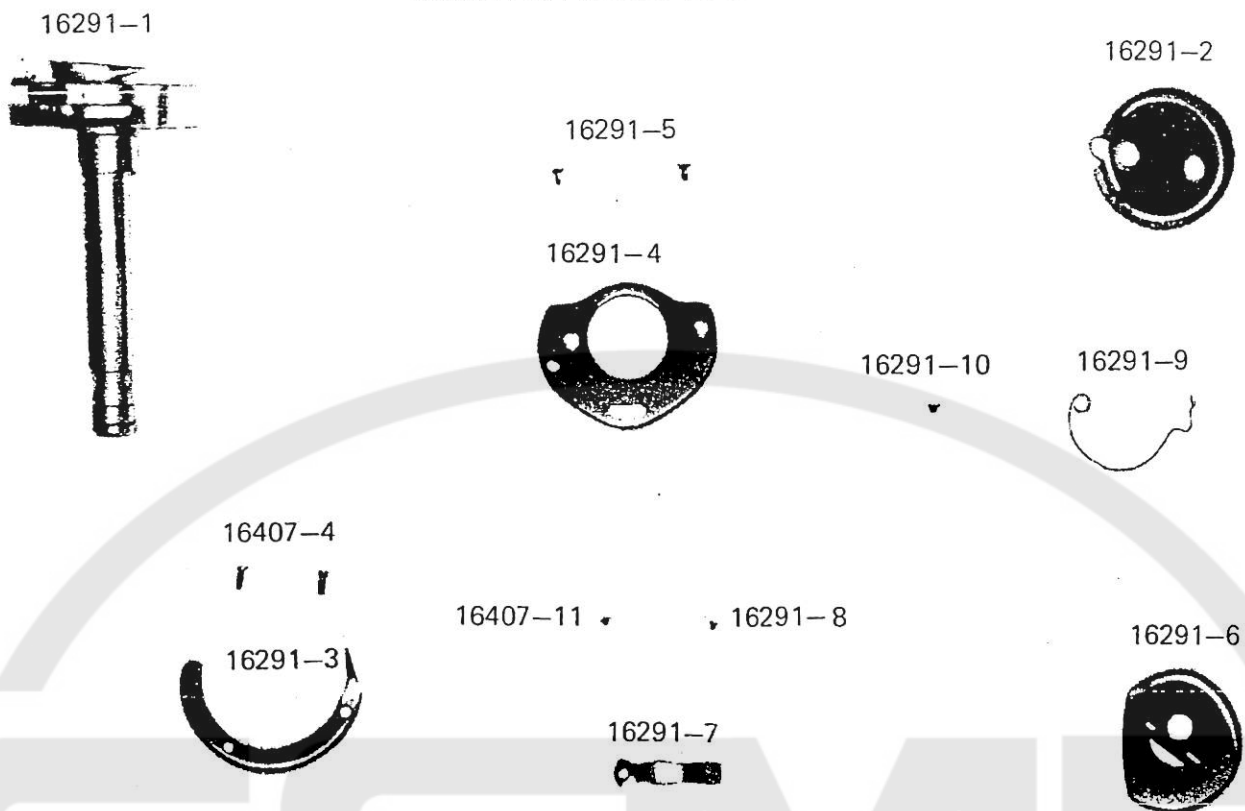
(\*印は LTW-27BK のみ)  
 (x印は LSW-27BLK, -28BLK のみ)

カマ土台関係  
HOOK SADDLE

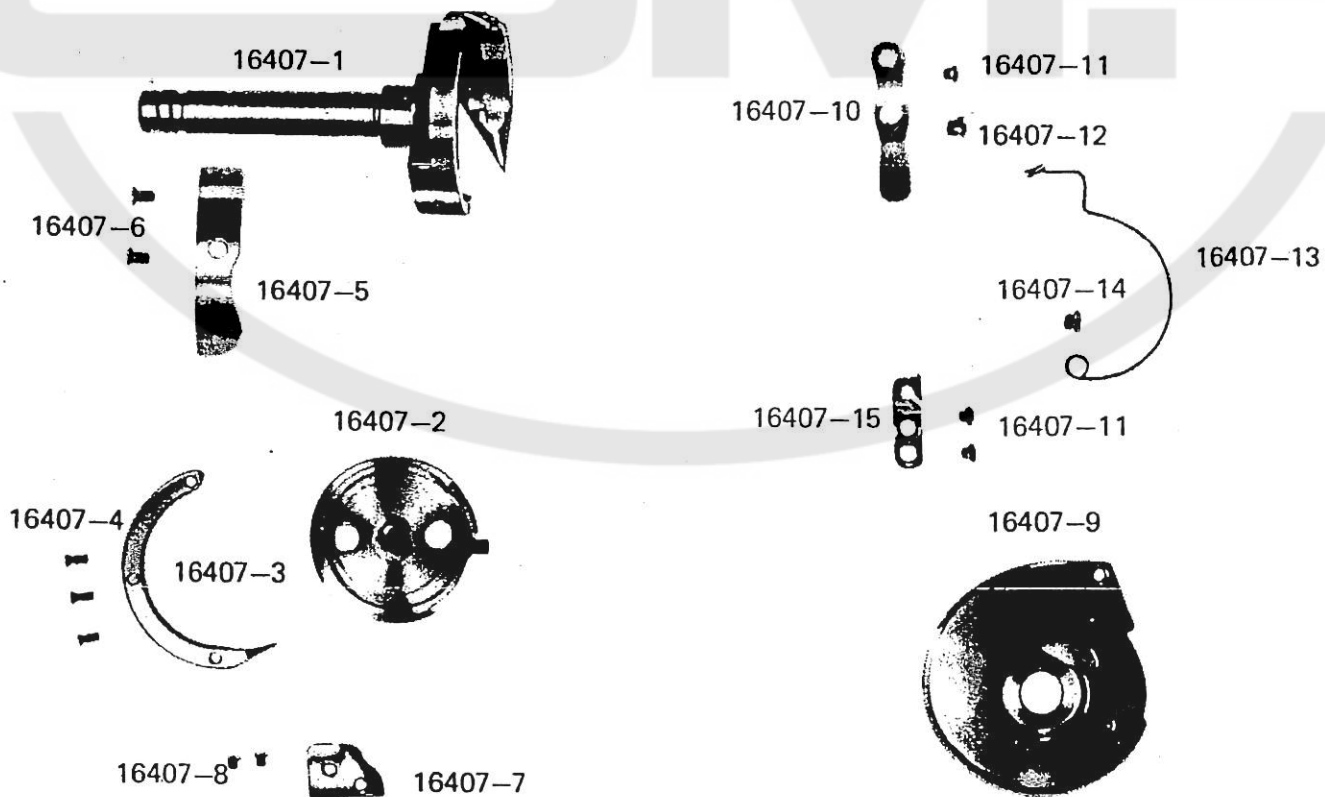


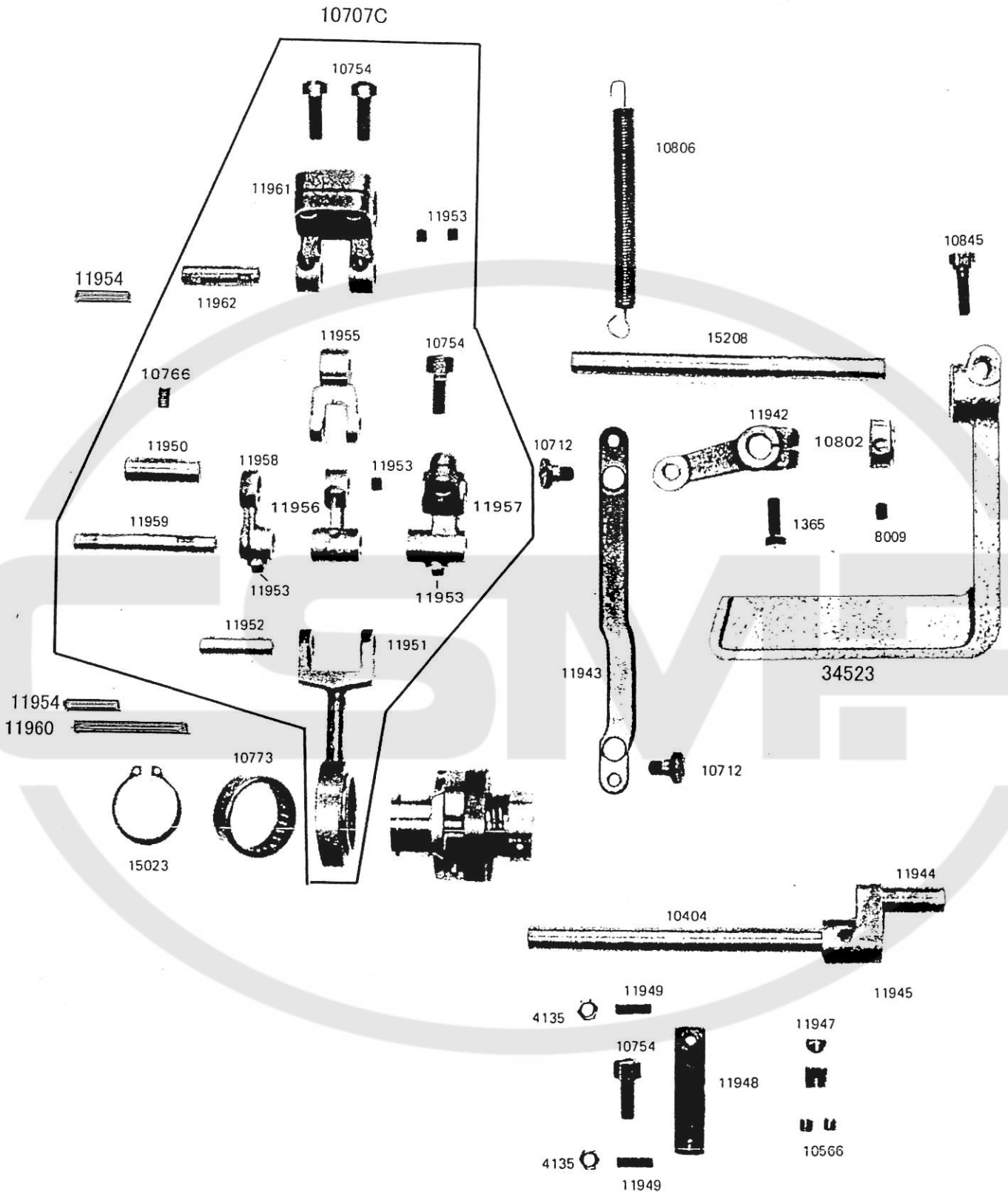
\* marked parts are only for Model LTW-27BK (\*印は LTW-27BK のみ)

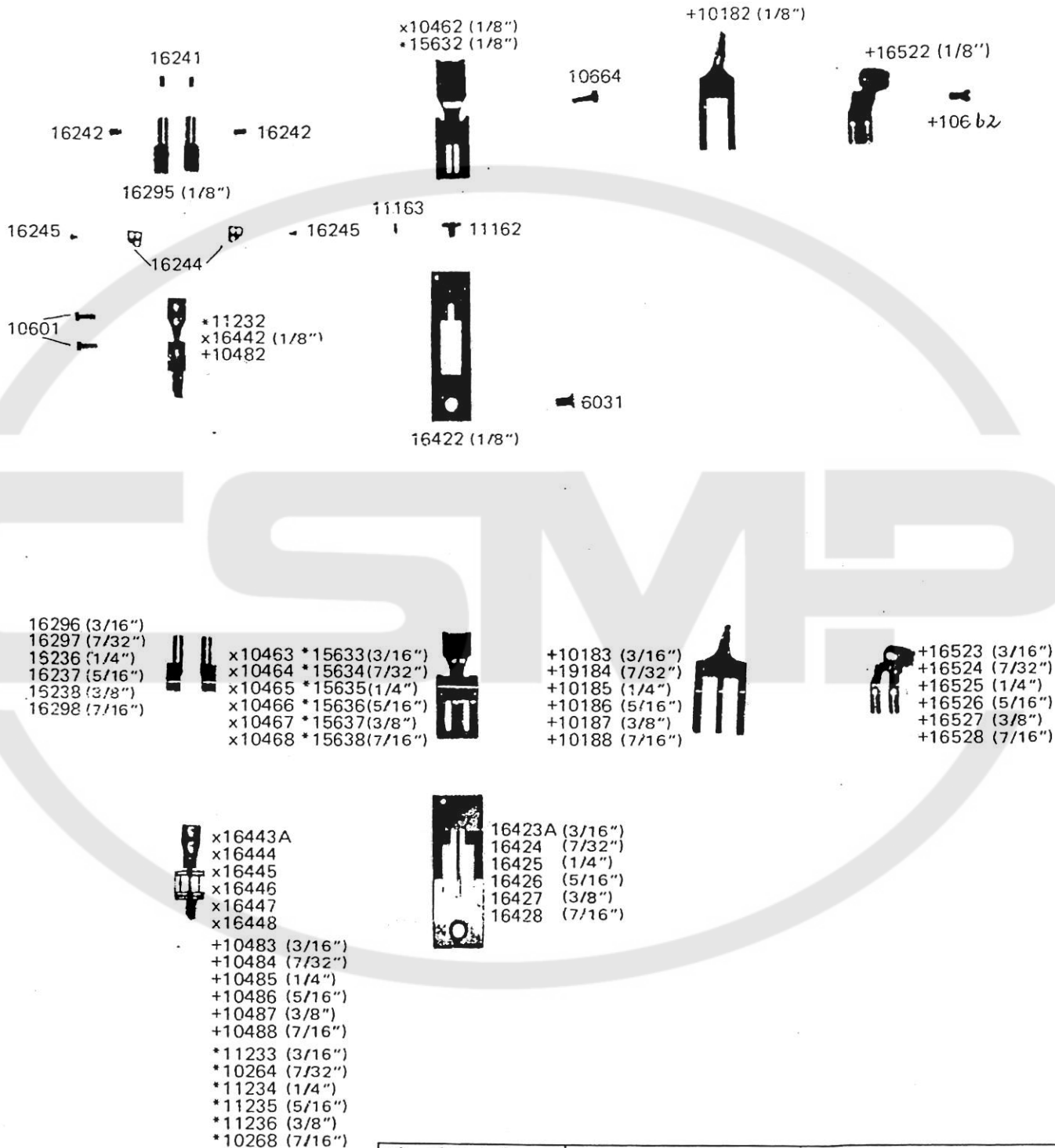
HOOK FOR MODEL LTW-27BK



HOOK FOR MODEL LSW-27BLK, 28BLK

















ゲージサイズ Needle gauge size	3/16"(4.8mm), 1/4"(6.4), 5/16(7.9mm), 3/8"(9.5mm)
-----------------------------	---

上記以外のゲージサイズは、別途御見積りになります。(対応可能ゲージサイズは1/8"~1"

Other needle gauges are available within 1/8" to 1" at extra cost.

\* marked parts are only for Model LTW-27BK (\*は LTW-27BK のみ)  
 x marked parts are only for Model LSW-27BLK (x印は LSW-27BLK のみ)  
 + marked parts are only for Model LSW-28BLK (+印は LSW-28BLK のみ)

16239 (1/2") 16302 (9/16") 16303 (5/8") 16304 (3/4")		x10469 (1/2") x10470 (9/16") x10471 (3/8") x10472 (3/4") *15639 (1/2") *15640 (9/16") *15641 (3/8") *15642 (3/4")		+10189 (1/2") +10190 (9/16") +10191 (5/8") +10192 (3/4")		+16529 (1/2") +16530 (9/16") +16531 (5/8") +16532 (3/4")
*10269 (1/2") *10270 (9/16") *10271 (5/8") *10272 (3/4") x16449 (1/2") x16450 (9/16") x16451 (5/8") x16452 (3/4") +10489 (1/2") +10490 (9/16") +10491 (5/8") +10492 (3/4")				16429 (1/2") 16430 (9/16") 16431 (5/8") 16432 (3/4")		
16305 (7/8") 16306 (1")		x10473 (7/8") x10474 (1") *15643 (7/8") *15644 (1")		+10193 (7/8") +10194 (1")		+16533 (7/8") +16534 (1")
*10273 (7/8") *10274 (1") x16453 (7/8") x16454 (1") +10493 (7/8") +10494 (1")				16433 (7/8") 16434 (1")		

ゲージサイズ Needle gauge size	3/16"(4.8mm), 1/4"(6.4), 5/16(7.9mm), 3/8"(9.5mm)
-----------------------------	---

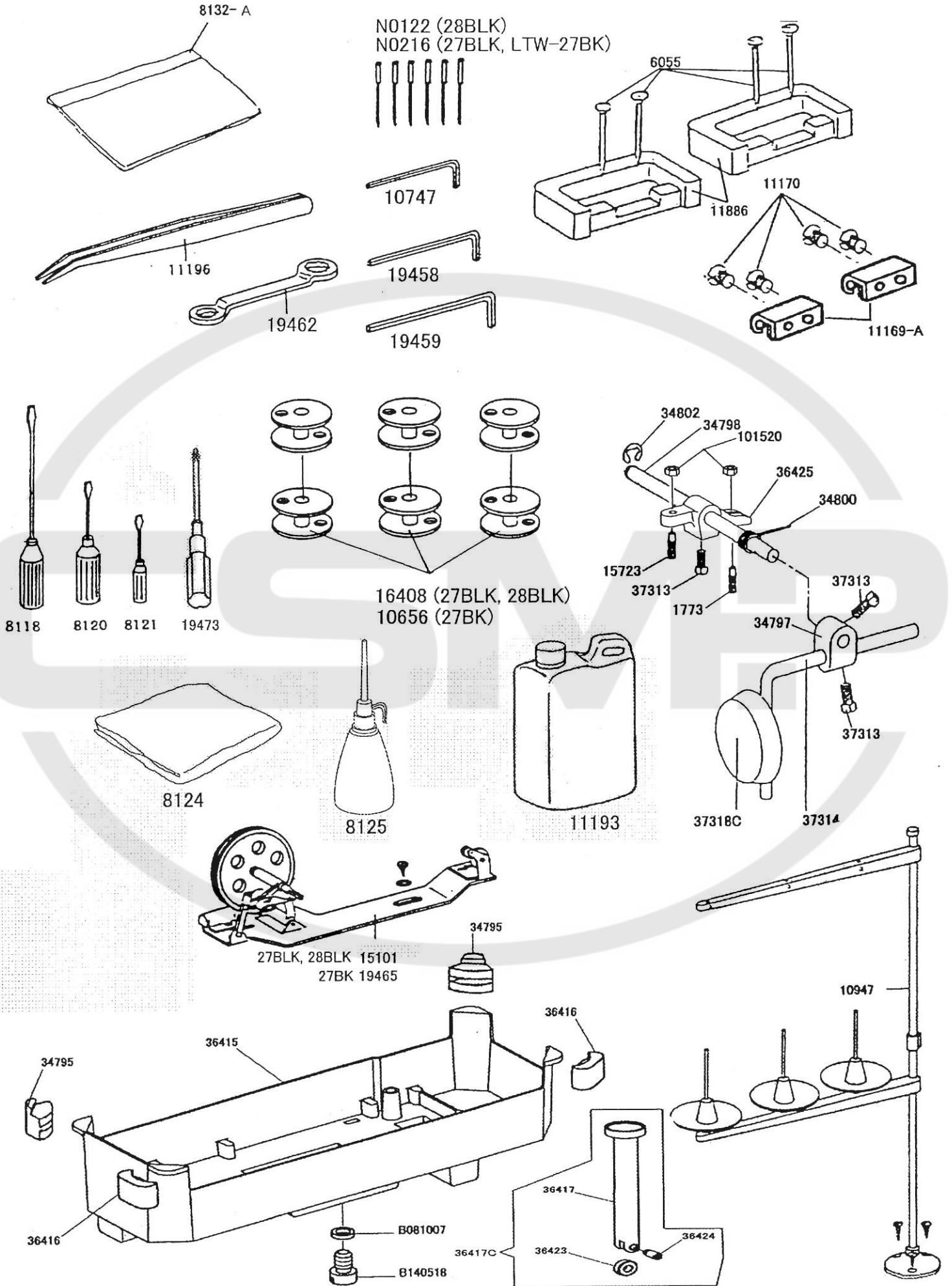
上記以外のゲージサイズは、別途御見積りになります。(対応可能ゲージサイズは1/8"~1")

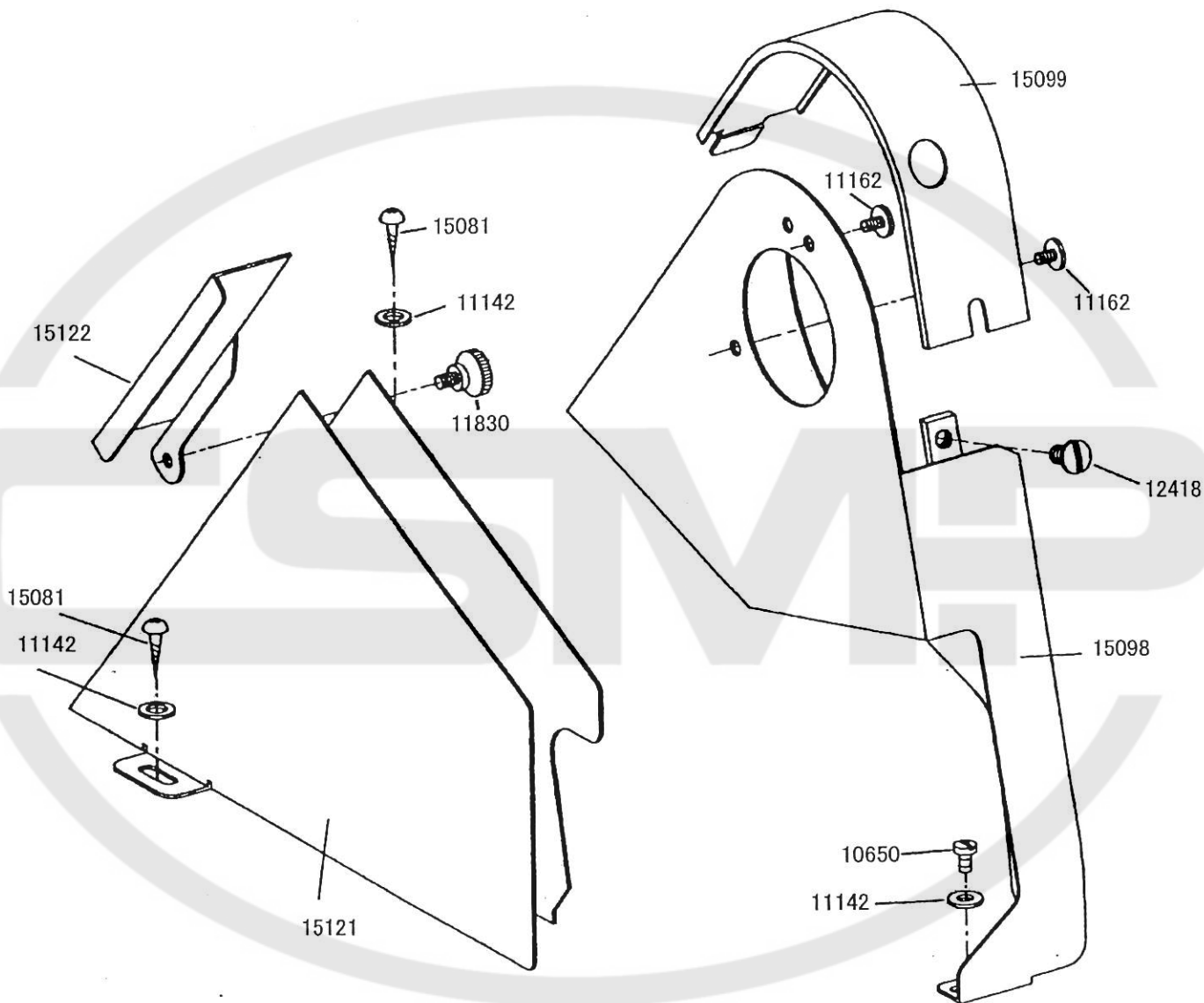
Other needle gauges are available within 1/8" to 1" at extra cost.

\* marked parts are only for Model LTW-27BK (\*印は LTW-27BK のみ)  
 x marked parts are only for Model LSW-27BLK (x印は LSW-27BLK のみ)  
 + marked parts are only for Model LSW-28BLK (+印は LSW-28BLK のみ)











**SEIKO SEWING MACHINE CO., LTD.**

2-13-6 Sakaecho, Funabashi-shi Chiba Prefecture, 273-0018, Japan

TEL: 81-47-420-3561 (Overseas dept.)

FAX: 81-47-420-3560

E-mail: [export@seiko-sewing.co.jp](mailto:export@seiko-sewing.co.jp)

<http://www.seiko-sewing.co.jp/>

Parts No. PB25000(0810)