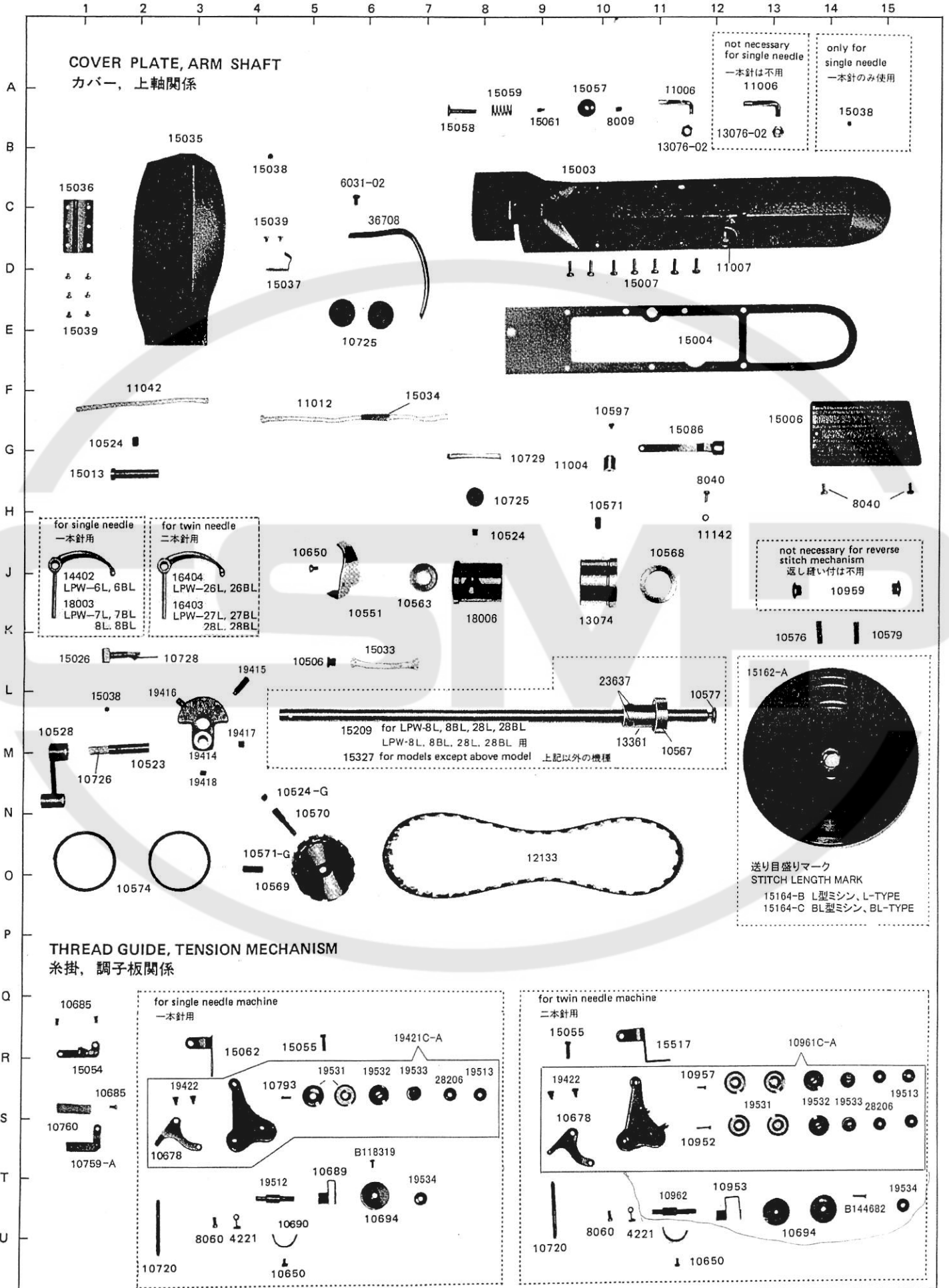




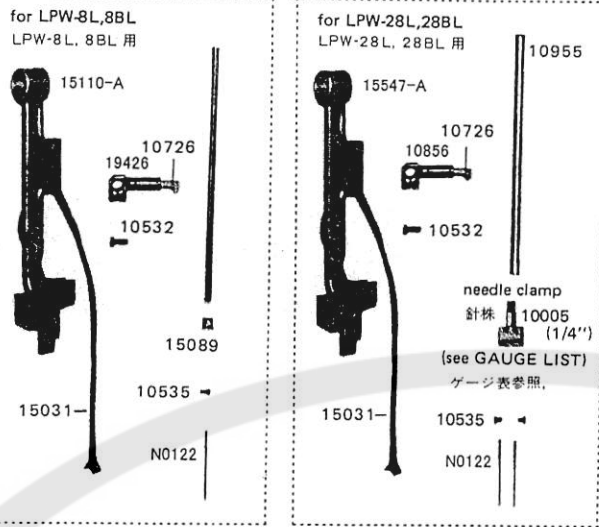
SEIKO
LPW

PARTS LIST

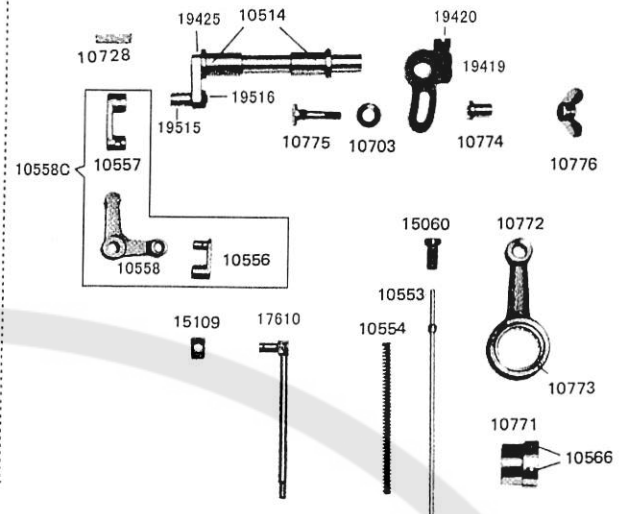
MODEL: LPW-6L, 6BL, 7L, 7BL, 8L, 8BL (single needle, 一本針)
LPW-26L, 26BL, 27L, 27BL, 28L, 28BL (twin needle, 二本針)



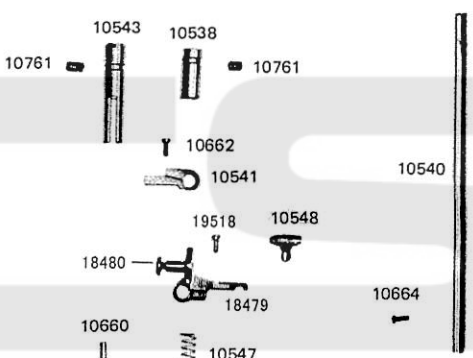
NEEDLE BAR MECHANISM FOR LPW-8L, 8BL, 28L, 28BL
LPW-8L, 8BL, 28L, 28BL, 針棒関係



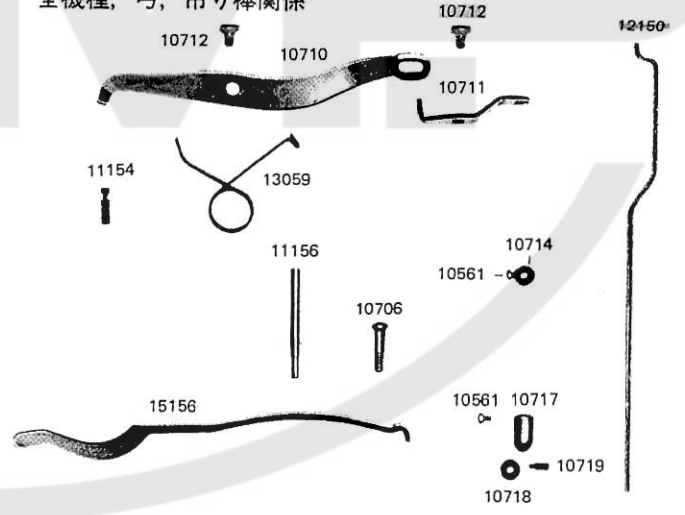
LIFTING ROCK SHAFT MECHANISM FOR LPW-8L, 8BL, 28L, 28BL
LPW-8L, 8BL, 28L, 28BL, 横軸関係



PRESSER BAR MECHANISM FOR LPW-8L, 8BL, 28L, 28BL
LPW-8L, 8BL, 28L, 28BL, 押え棒関係

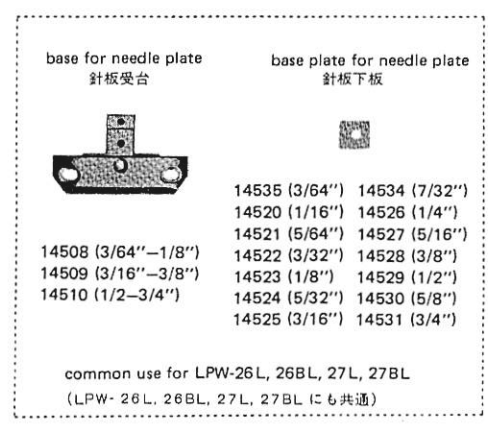


KNEE LIFTER LIFTING LEVER, CONNECTING ROD
全機種、弓、吊り棒関係



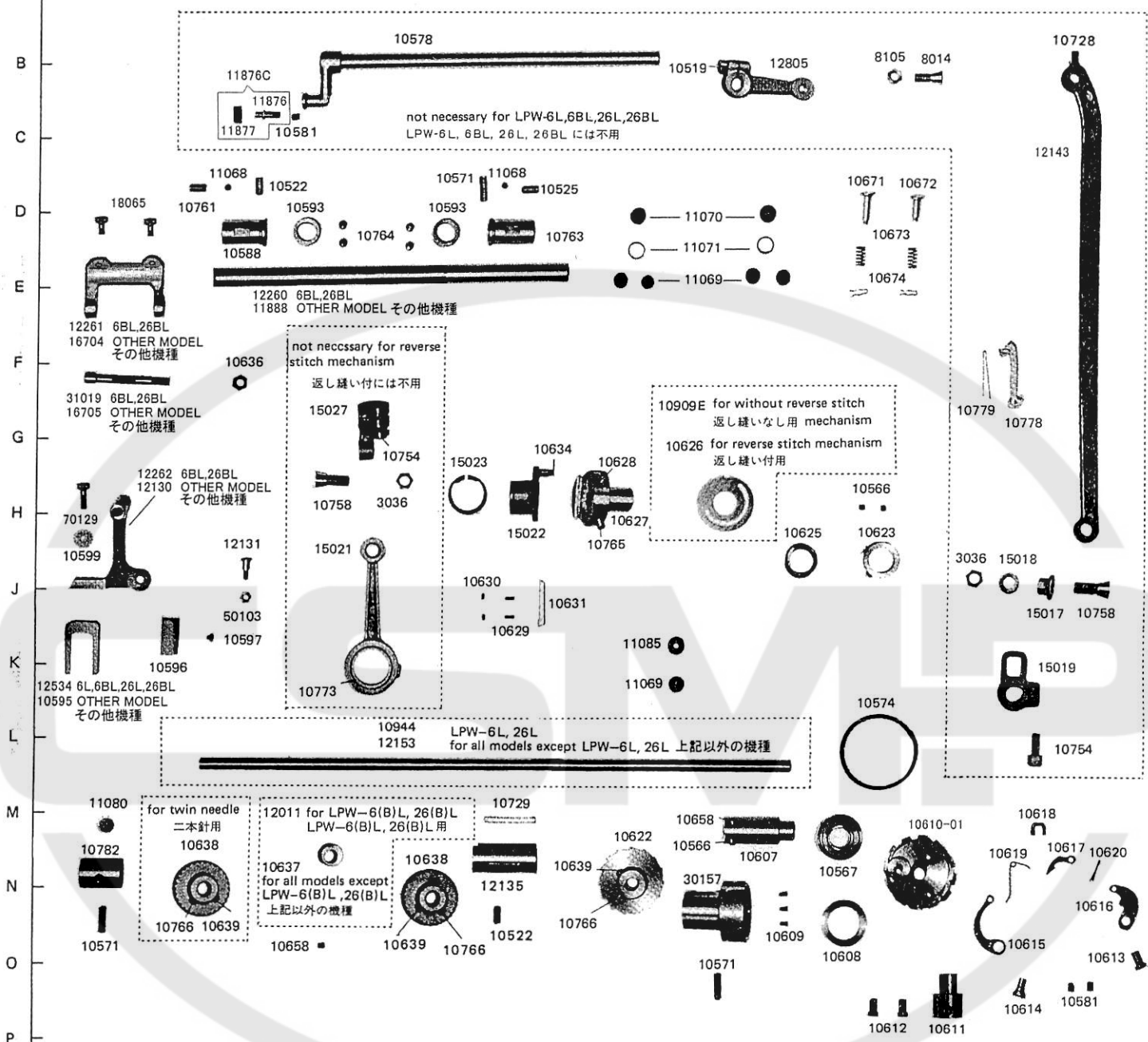
GAUGE LIST FOR LPW-28L, 28BL
LPW-28L, 28BL ゲージ表

needle clamp 針株	lifting presser foot 外押え	vibrating presser foot 中押え	needle plate 針板	feed dog 送り歯
10002 (1/8")	10182 (1/8")	10282T (1/8")	14543 (1/8")	14563 (1/8")
10074 (5/32")	10344 (5/32")	10374T (5/32")	14544 (5/32")	14564 (5/32")
10003 (3/16")	10183 (3/16")	10283T (3/16")	14545 (3/16")	14565 (3/16")
10004 (7/32")	10184 (7/32")	10284T (7/32")	14554 (7/32")	14574 (7/32")
10005 (1/4")	10185 (1/4")	10285T (1/4")	14546 (1/4")	14566 (1/4")
10006 (5/16")	10186 (5/16")	10286T (5/16")	14547 (5/16")	14567 (5/16")
10007 (3/8")	10187 (3/8")	10287T (3/8")	14548 (3/8")	14568 (3/8")
10009 (1/2")	10189 (1/2")	10289T (1/2")	14549 (1/2")	14569 (1/2")
10011 (5/8")	10191 (5/8")	10291T (5/8")	14550 (5/8")	14570 (5/8")
10012 (3/4")	10192 (3/4")	10292T (3/4")	14551 (3/4")	14571 (3/4")



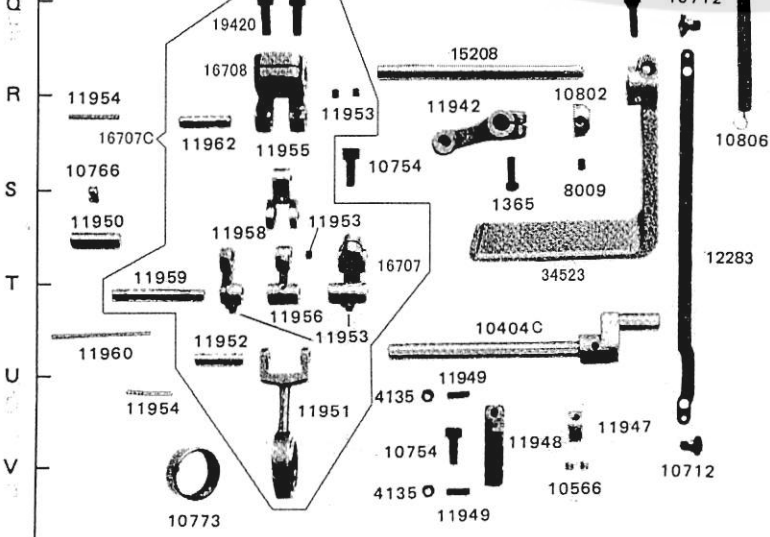
LOWER SHAFT, FEED MECHANISM

送り機構, 下軸関係



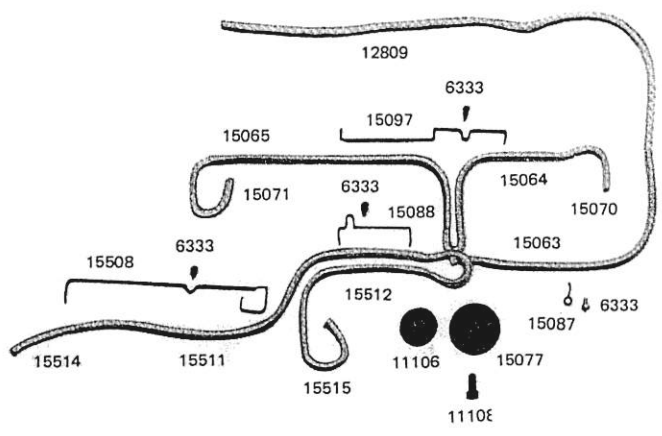
REVERSE STITCH MECHANISM

返し縫い関係



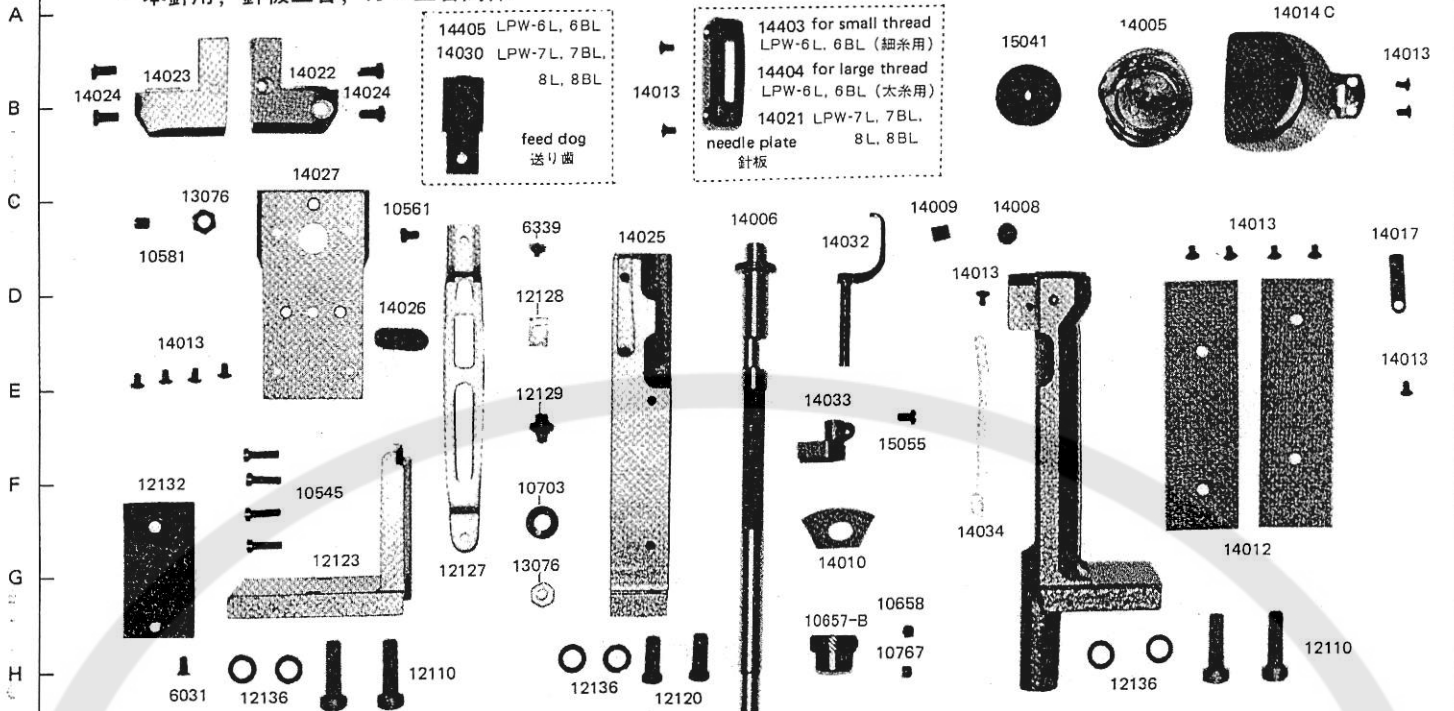
OIL WICK FOR BED

ベッド油芯関係



FEED DOG LEVER POST, HOOK SADDLE MECHANISM (SINGLE NEEDLE)

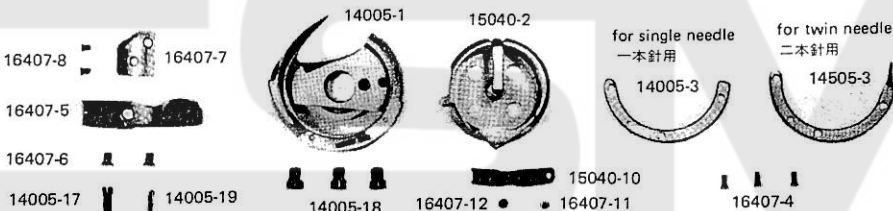
一本針用, 針板土台, カマ土台関係



HOOK カマ

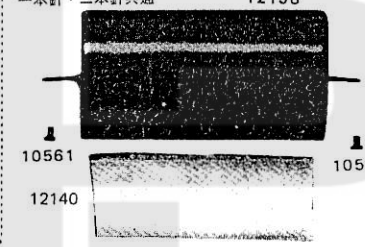
Hook complete number
カマセット番号

14005 for single needle 一本針用
14505 for twin needle 二本針用



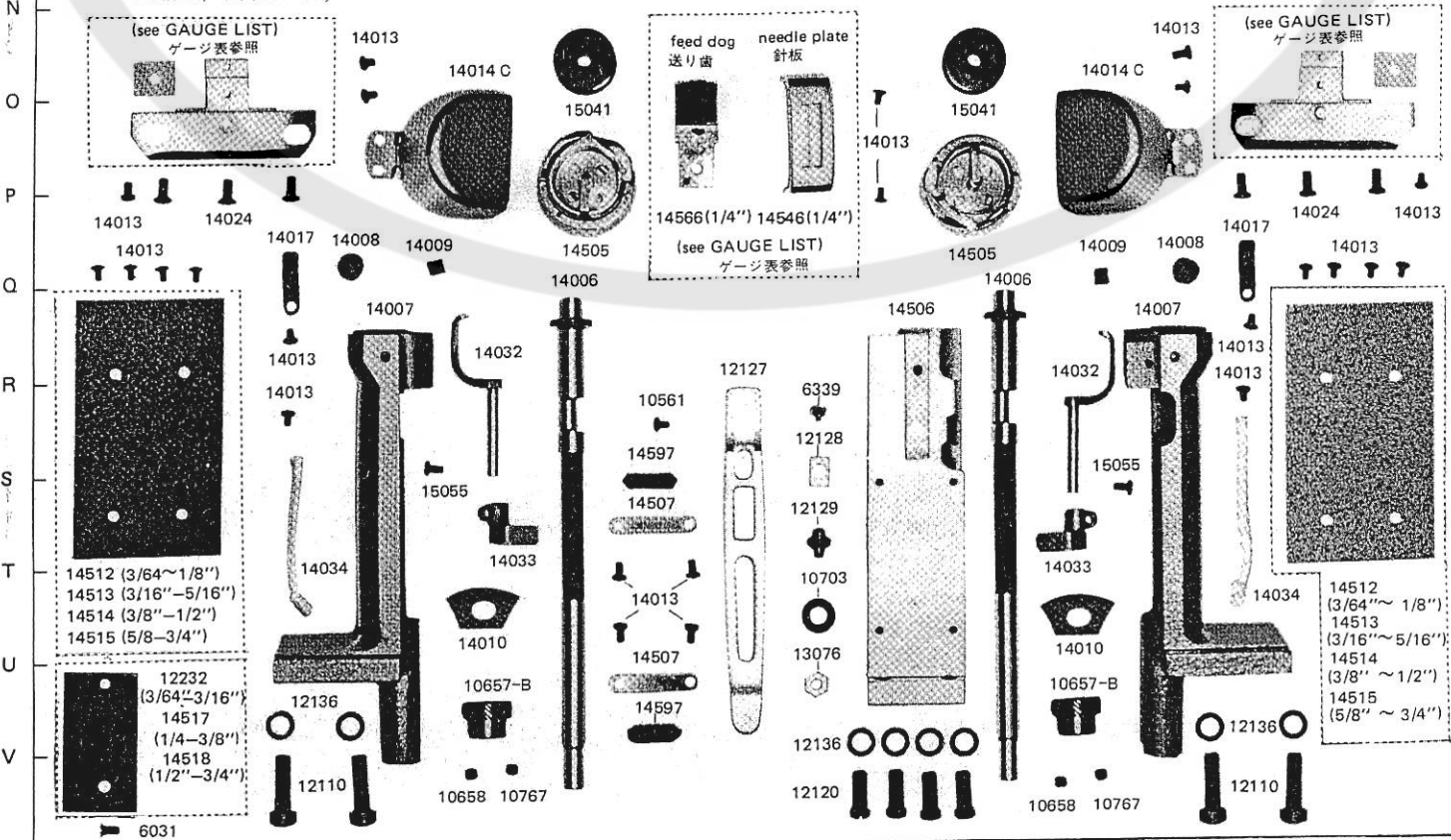
common use for single needle and twin needle

一本針・二本針共通 12138



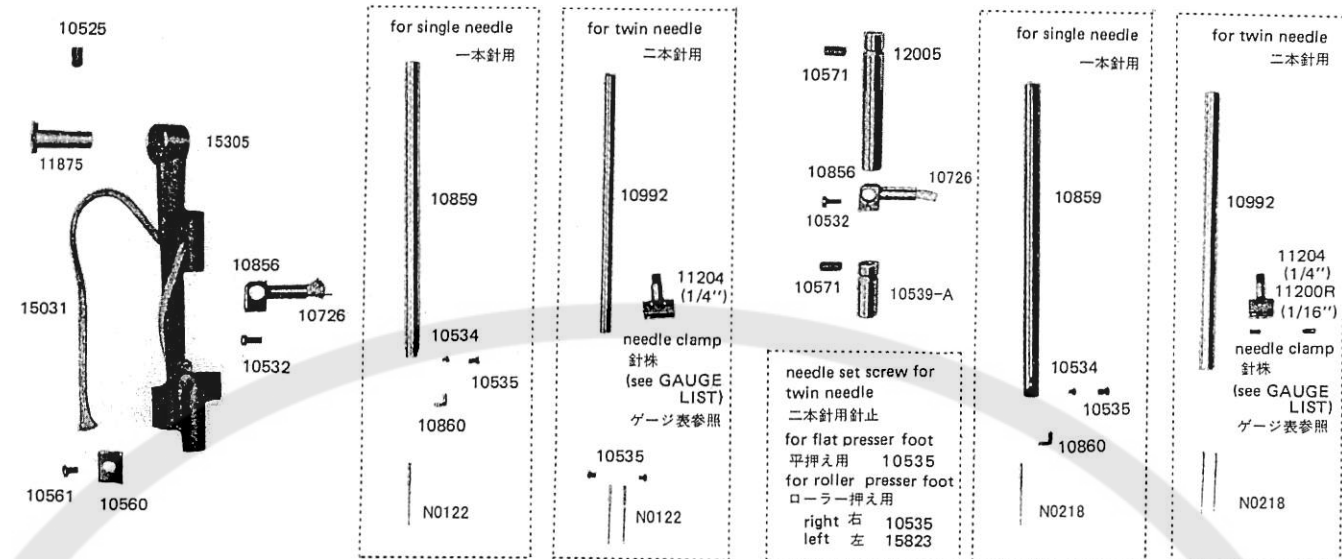
FEED DOG LEVER POST, HOOK SADDLE MECHANISM (TWIN NEEDLE)

二本針用, 針板土台, カマ土台関係

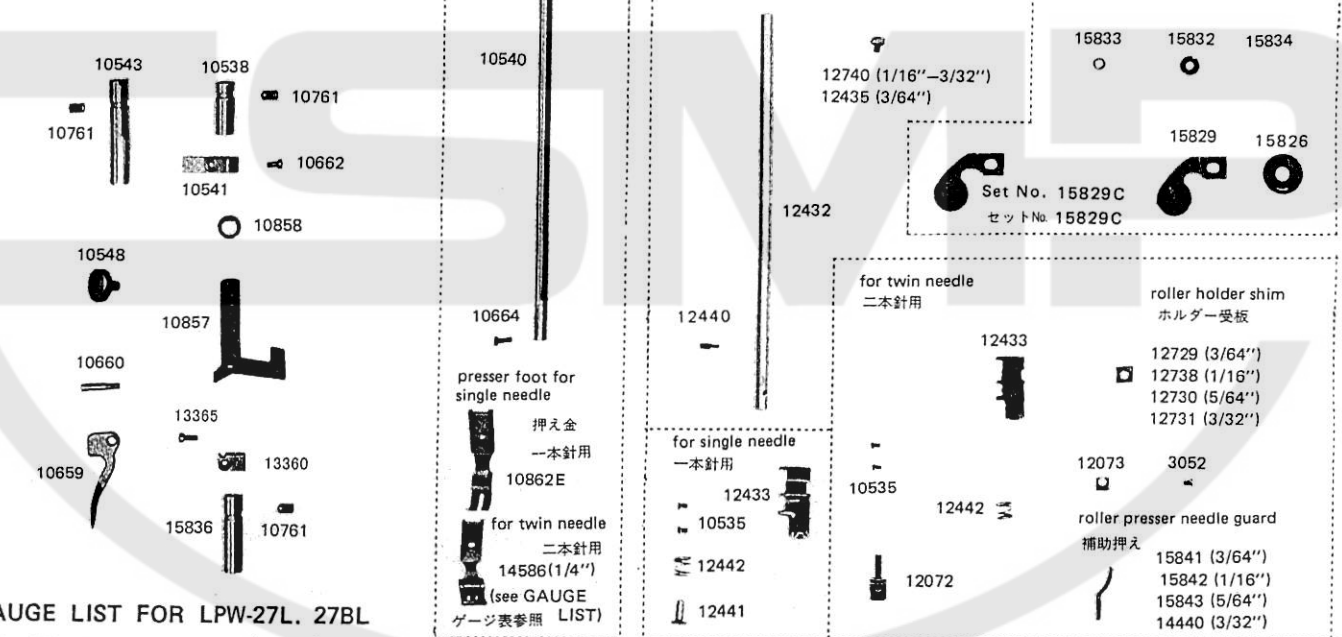


NEEDLE BAR MECHANISM FOR LPW-7L, 7BL, 27L, 27BL
LPW-7L, 7BL, 27L, 27BL 針棒関係

NEEDLE BAR MECAHNISM FOR LPW-6L, 6BL, 26L, 26BL
LPW-6L, 6BL, 26L, 26BL, 針棒関係



PRESSER BAR MECHANISM FOR LPW-6L, 6BL, 7L, 7BL, 26L, 26BL, 27L, 27BL
LPW-6L, 6BL, 7L, 7BL, 26L, 26BL, 27L, 27BL 押え棒関係



GAUGE LIST FOR LPW-27L, 27BL
LPW-27L, 27BL, ゲージ表

needle clamp 針株	needle plate 針板	presser foot 押え金	feed dog 送り歯
11200 (1/16")	14540 (1/16")	14580 (1/16")	14560 (1/16")
11199 (5/64")	14541 (5/64")	14581 (5/64")	14561 (5/64")
14557 (3/32")	14542 (3/32")	14582 (3/32")	14562 (3/32")
11202 (1/8")	14543 (1/8")	14583 (1/8")	14563 (1/8")
10154 (5/32")	14544 (5/32")	14584 (5/32")	14564 (5/32")
11203 (3/16")	14545 (3/16")	14585 (3/16")	14565 (3/16")
10024 (7/32")	14546 (7/32")	14586 (7/32")	14566 (7/32")
11204 (1/4")	14546 (1/4")	14586 (1/4")	14566 (1/4")
11205 (5/16")	14547 (5/16")	14587 (5/16")	14567 (5/16")
11206 (3/8")	14548 (3/8")	14588 (3/8")	14567 (3/8")
10029 (1/2")	14549 (1/2")	14589 (1/2")	14568 (1/2")
10031 (5/8")	14550 (5/8")	14590 (5/8")	14569 (1/2")
10032 (3/4")	14551 (3/4")	14591 (3/4")	14570 (5/8")
			14571 (3/4")

GAUGE LIST FOR LPW-26L, 26BL
(FLAT PRESSER FOOT)
LPW-26L, 26BL, 平押え用ゲージ表

needle clamp 針株	needle plate 針板	presser foot 押え金	feed dog 送り歯
11202 (1/8")	14463 (1/8")	14583 (1/8")	14483 (1/8")
10154 (5/32")	14464 (5/32")	14584 (5/32")	14484 (5/32")
11203 (3/16")	14465 (3/16")	14585 (3/16")	14485 (3/16")
10024 (7/32")	14474 (7/32")	14586 (7/32")	14494 (7/32")
11204 (1/4")	14474 (1/4")	14586 (1/4")	14486 (1/4")
11205 (5/16")	14466 (5/16")	14587 (5/16")	14487 (5/16")
11206 (3/8")	14468 (3/8")	14588 (3/8")	14488 (3/8")
10029 (1/2")	14469 (1/2")	14589 (1/2")	14489 (1/2")
10031 (5/8")	14470 (5/8")	14590 (5/8")	14490 (5/8")
10032 (3/4")	14471 (3/4")	14591 (3/4")	14491 (3/4")

GAUGE LIST FOR LPW-26L, 26BL
(ROLLER PRESSER FOOT)
LPW-26L, 26BL, ローラー押え用ゲージ表

needle clamp 針株	needle plate 針板	feed dog 送り歯
11198R (3/64")	14433 (3/64")	14443 (3/64")
11200R (1/16")	14434 (1/16")	14444 (1/16")
11199R (5/64")	14438 (5/64")	14445 (5/64")
11201R (3/32")	14437 (3/32")	14446 (3/32")

ACCESSORIES
付属品

