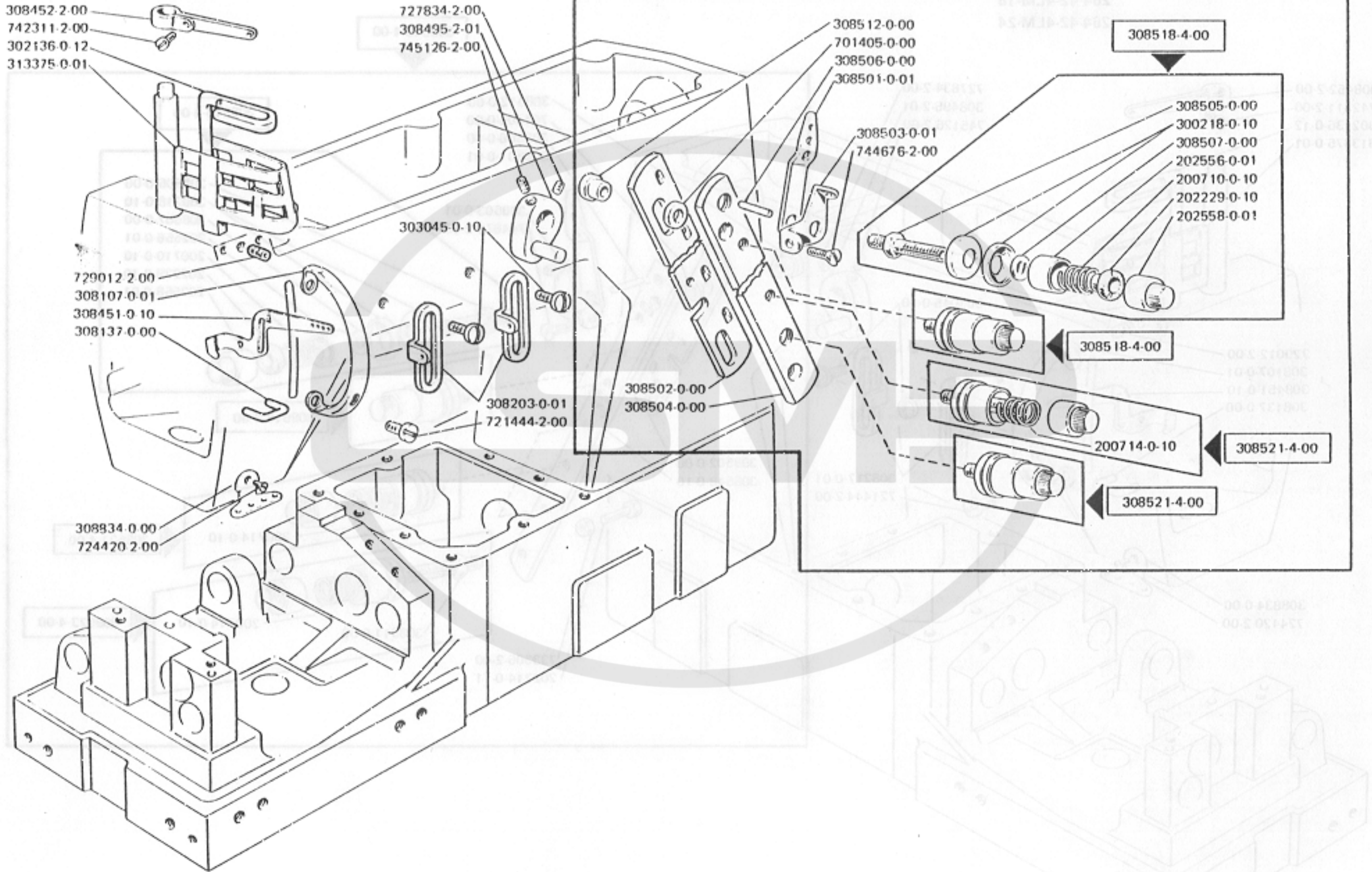
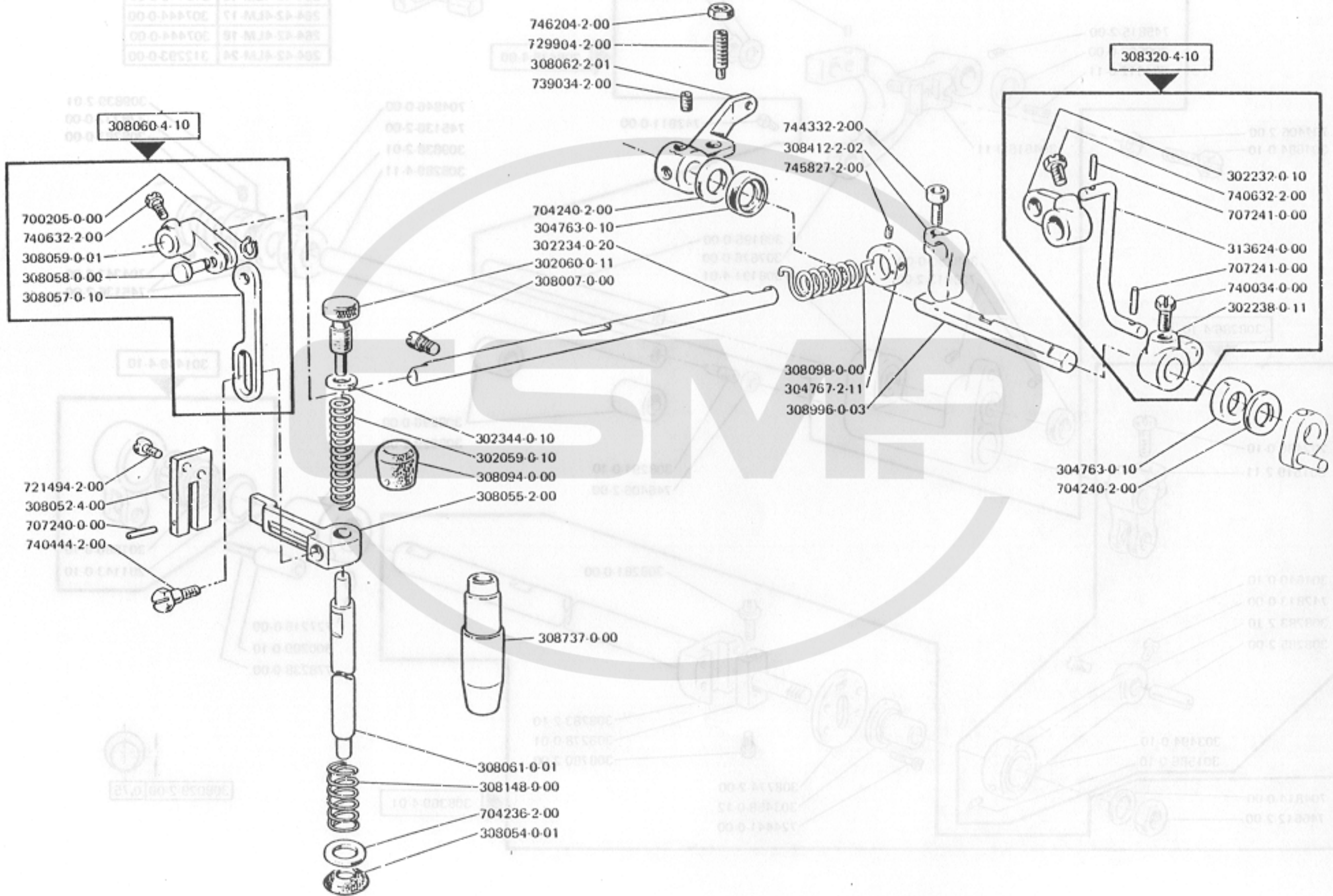
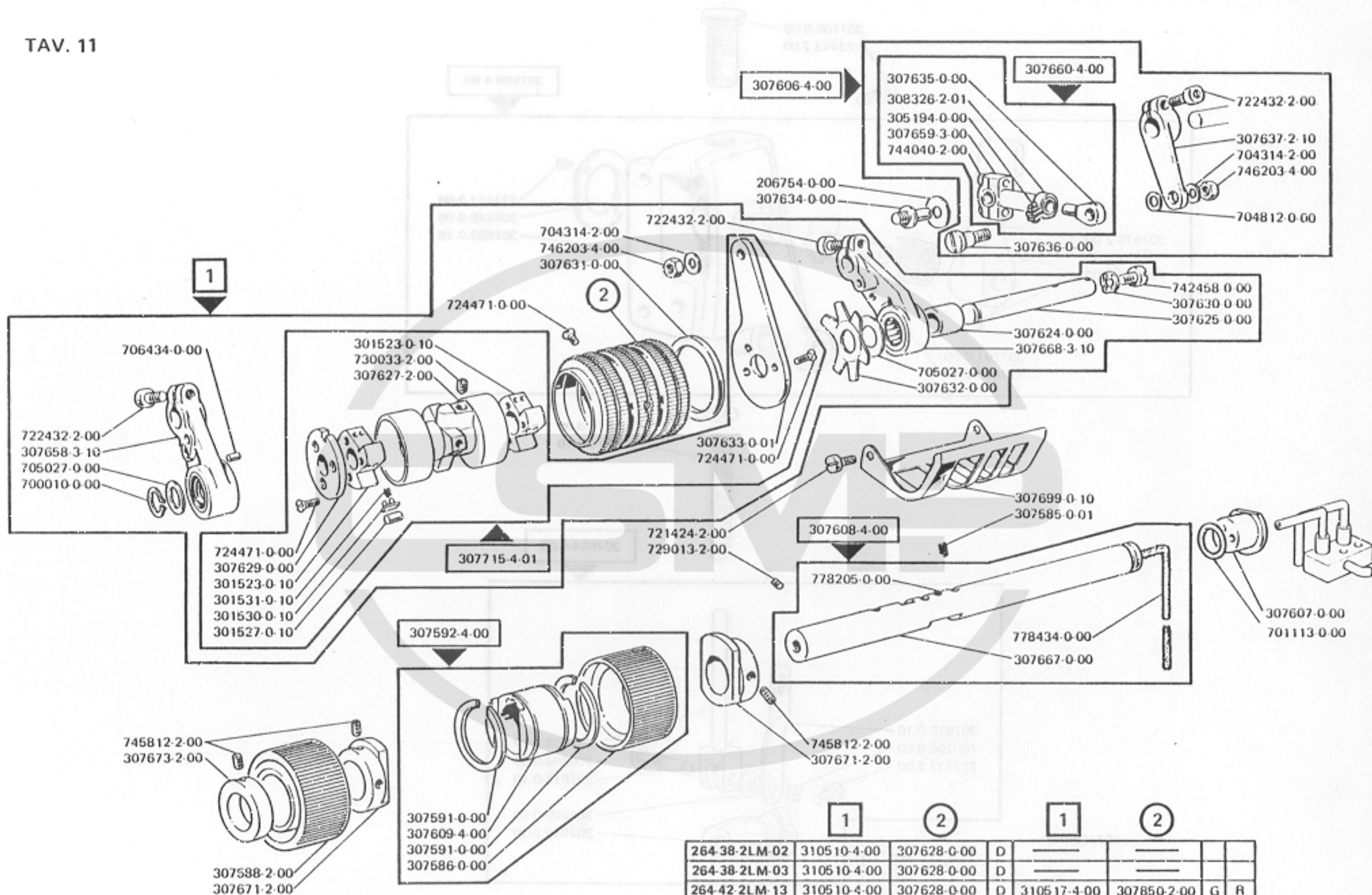


264-38-2LM-02
264-38-2LM-03
264-42-2LM-13
264-42-2LM-15



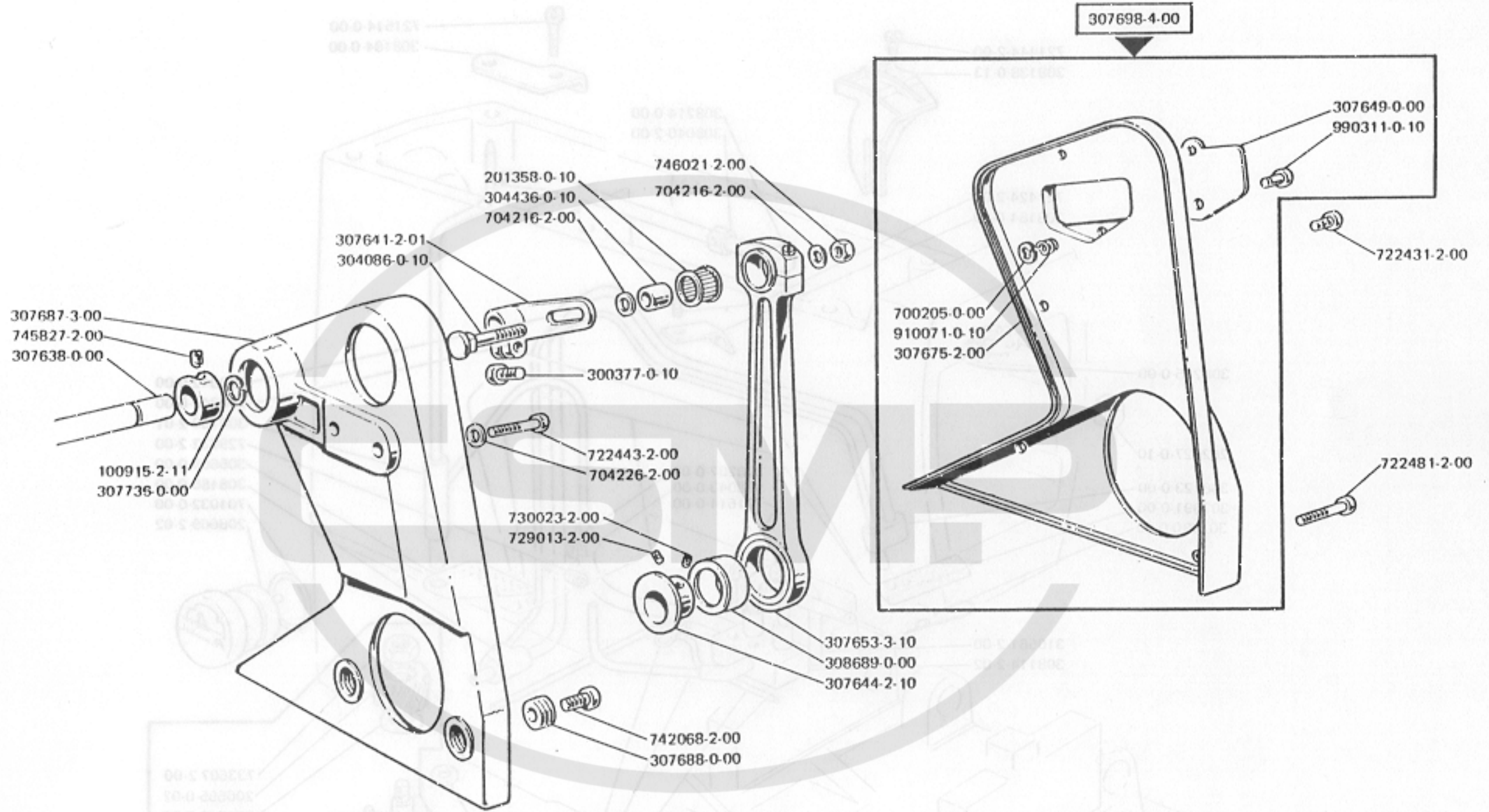
308062-2-01	308062-2-01
729904-2-00	729904-2-00
746204-2-00	746204-2-00
308062-2-01	308062-2-01
739034-2-00	739034-2-00
744332-2-00	744332-2-00
308412-2-02	308412-2-02
745827-2-00	745827-2-00
704240-2-00	704240-2-00
304763-0-10	304763-0-10
302234-0-20	302234-0-20
302060-0-11	302060-0-11
308007-0-00	308007-0-00
302344-0-10	302344-0-10
302059-0-10	302059-0-10
308094-0-00	308094-0-00
308055-2-00	308055-2-00
308737-0-00	308737-0-00
308061-0-01	308061-0-01
308148-0-00	308148-0-00
704236-2-00	704236-2-00
308054-0-01	308054-0-01



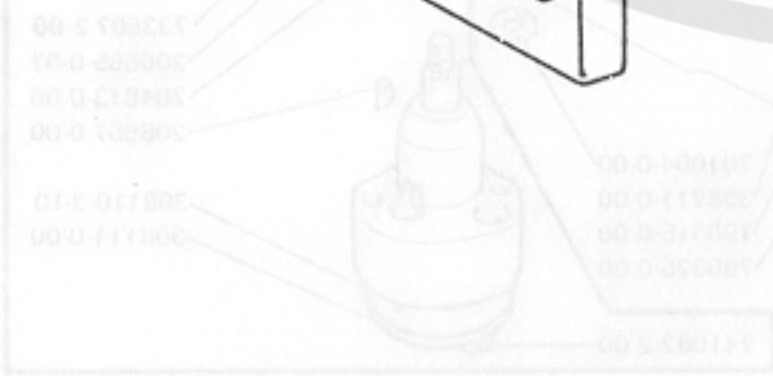


D = RULLO DENTATO SPROCKET ROULEAU DENTE
 G = RULLO GOMMATO RUBBER ROLLER ROULEAU GOMME
 Z = RULLO ZIGRINATO KNURLED ROLLER ROULEAU MOLETTE
 R = A RICHIESTA ON REQUEST SUR DEMANDE

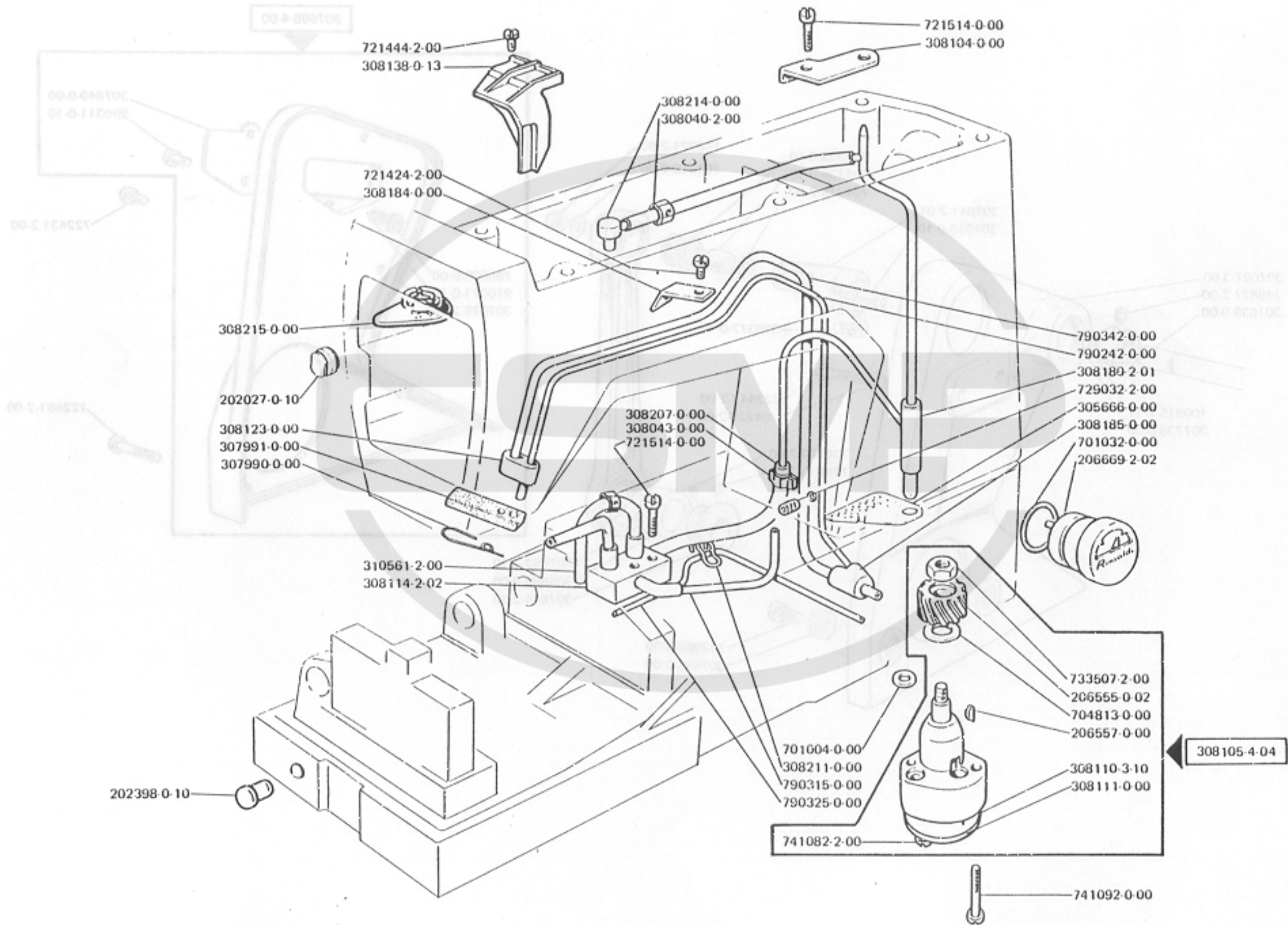
	1	2		1	2		
264-38-2LM-02	310510-4-00	307628-0-00	D	---	---		
264-38-2LM-03	310510-4-00	307628-0-00	D	---	---		
264-42-2LM-13	310510-4-00	307628-0-00	D	310517-4-00	307850-2-00	G	R
264-42-2LM-15	310510-4-00	307628-0-00	D	310517-4-00	307850-2-00	G	R
264-42-4LM-16	310510-4-00	307628-0-00	D	310517-4-00	307850-2-00	G	R
264-42-4LM-17	310510-4-00	307628-0-00	D	310517-4-00	307850-2-00	G	R
264-42-4LM-18	310510-4-00	307628-0-00	D	310517-4-00	307850-2-00	G	R
264-42-4LM-24	310510-4-00	307628-0-00	D	310517-4-00	307850-2-00	G	R
				310511-4-00	311310-0-00	Z	R

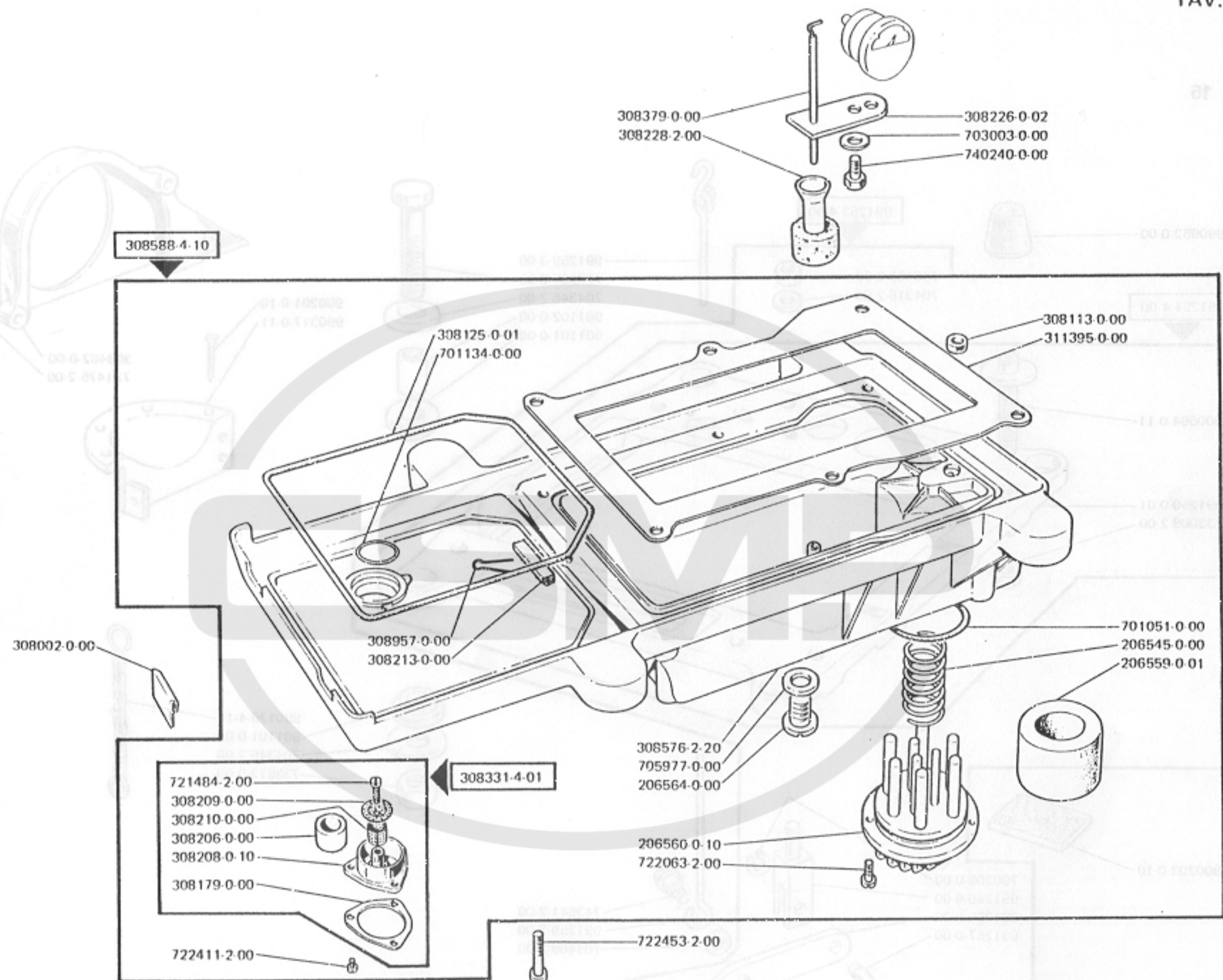


307698-4-00



307698-4-00





308588-4-10

308379-0-00
308228-2-00

308226-0-02
703003-0-00
740240-0-00

308125-0-01
701134-0-00

308113-0-00
311395-0-00

308002-0-00

308957-0-00
308213-0-00

701051-0-00
206545-0-00
206559-0-01

721484-2-00
308209-0-00
308210-0-00
308206-0-00
308208-0-10
308179-0-00

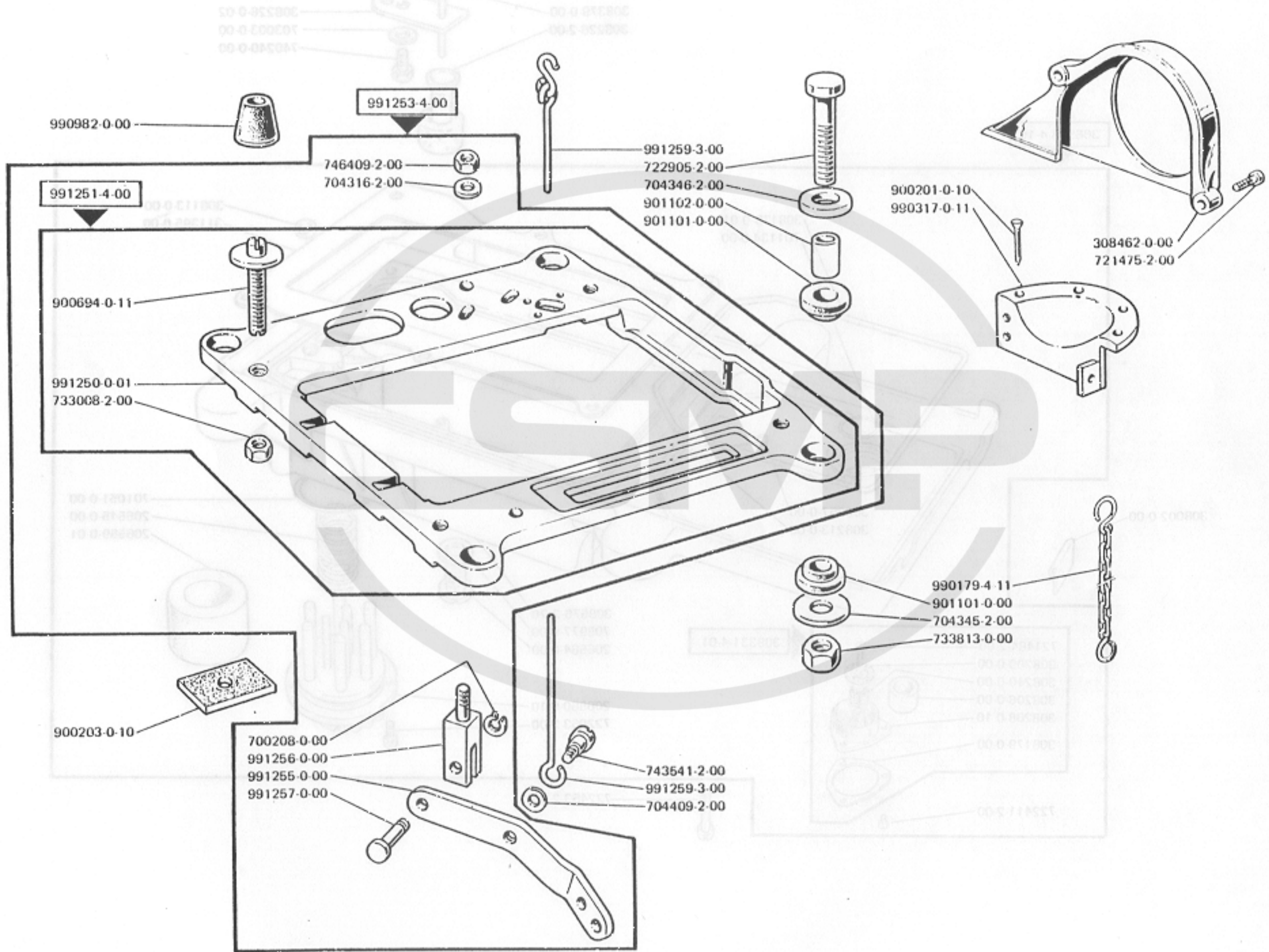
308331-4-01

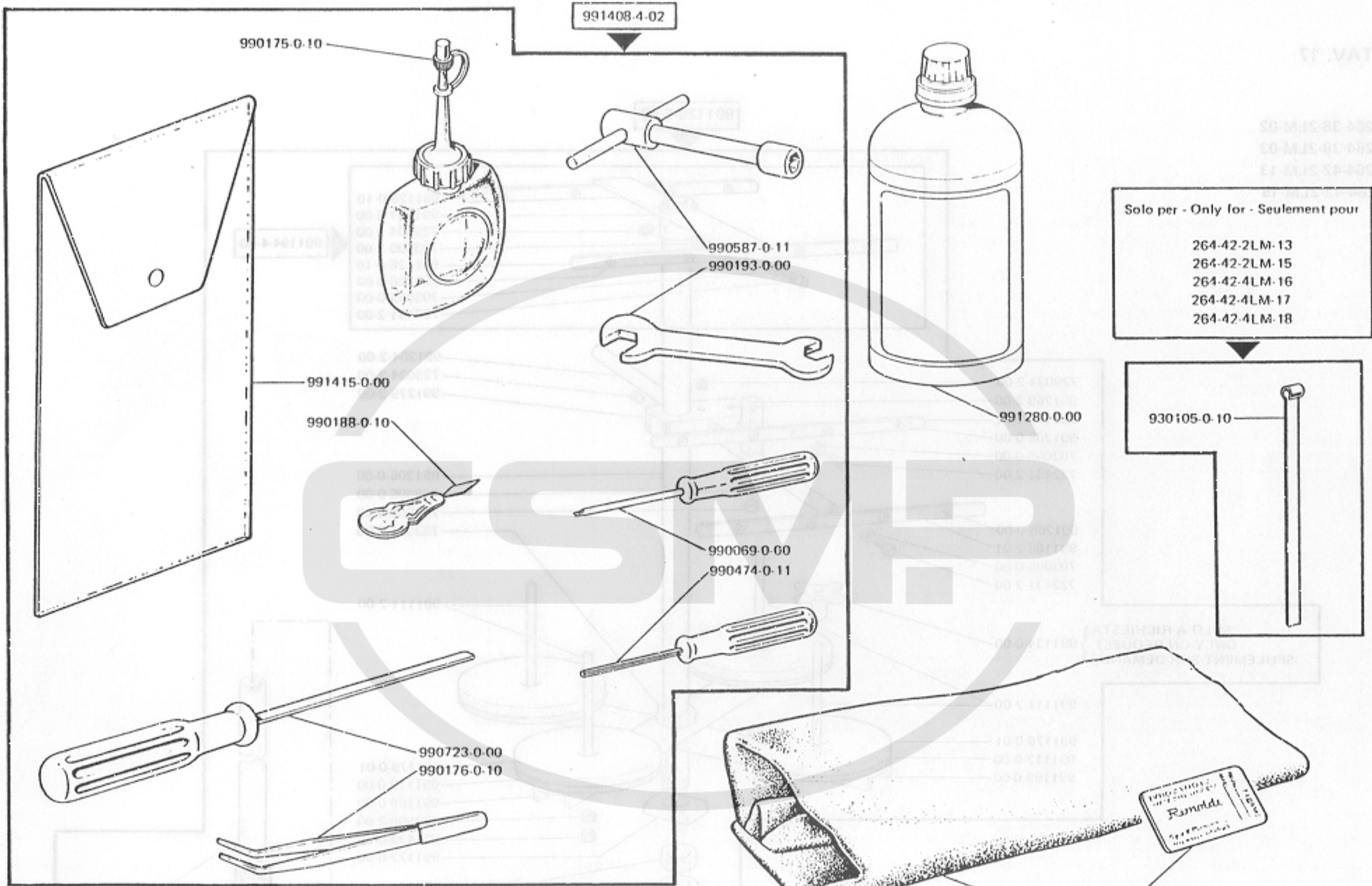
308576-2-20
705977-0-00
206564-0-00

206560-0-10
722063-2-00

722411-2-00

722453-2-00





★ per l'ordinazione della bustina
citare lo stesso simbolo dell'ago
montato sulla testa.

★ to order packet of needles
please specify symbol of
needle fitted on machine.

★ pour commander un sachet
d'aiguille donner le symbol de
l'aiguille montee sur la tete.

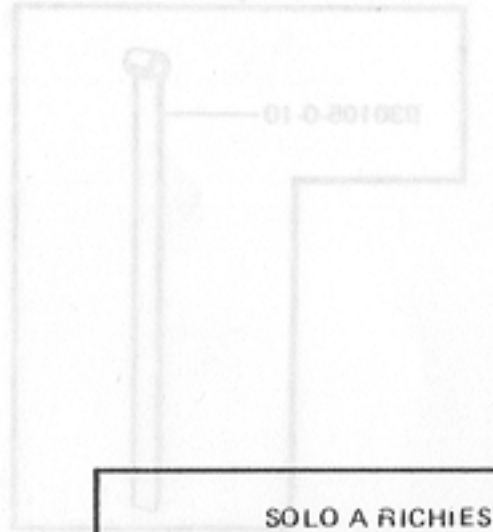
★

TAV. 17

- 264-38-2LM-02
- 264-38-2LM-03
- 264-42-2LM-13
- 264-42-2LM-15

Solo per - Only for - Seulement pour

264-42-2LM-15
264-42-2LM-13
264-42-2LM-03
264-42-2LM-02

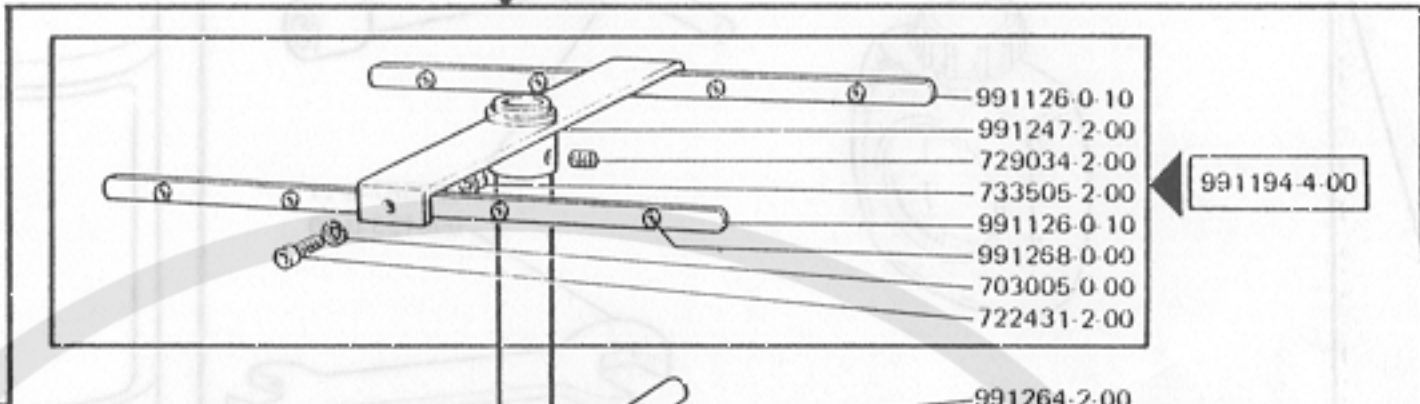


SOLO A RICHIESTA }
ONLY ON REQUEST }
SEULEMENT SUR DEMANDE }

- 729034-2-00
- 991269-2-00
- 991108-2-01
- 991268-0-00
- 703005-0-00
- 722431-2-00
- 991268-0-00
- 991108-2-01
- 703005-0-00
- 722431-2-00

- 991134-0-00
- 991111-2-00
- 991179-0-01
- 991112-0-00
- 991199-0-00

991120-5-02



- 991126-0-10
- 991247-2-00
- 729034-2-00
- 733505-2-00
- 991126-0-10
- 991268-0-00
- 703005-0-00
- 722431-2-00

991194-4-00

- 991264-2-00
- 729034-2-00
- 991279-2-00

- 991206-0-00
- 703005-0-00
- 733806-2-00
- 733211-2-00

991111-2-00

- 991179-0-01
- 991112-0-00
- 991199-0-00
- 733508-2-00
- 925433-0-00
- 991172-0-00

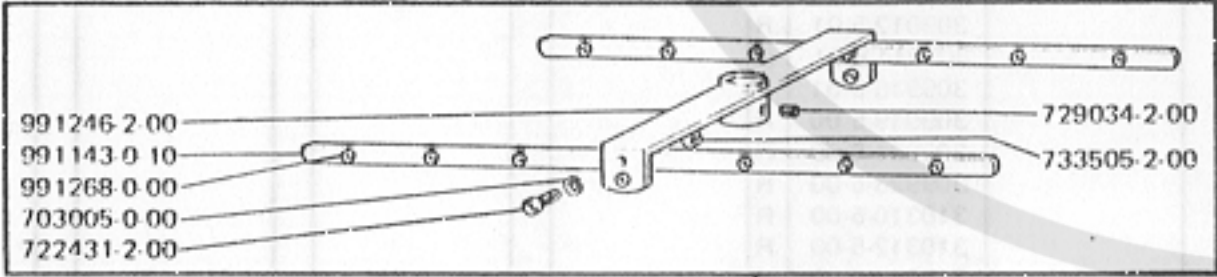
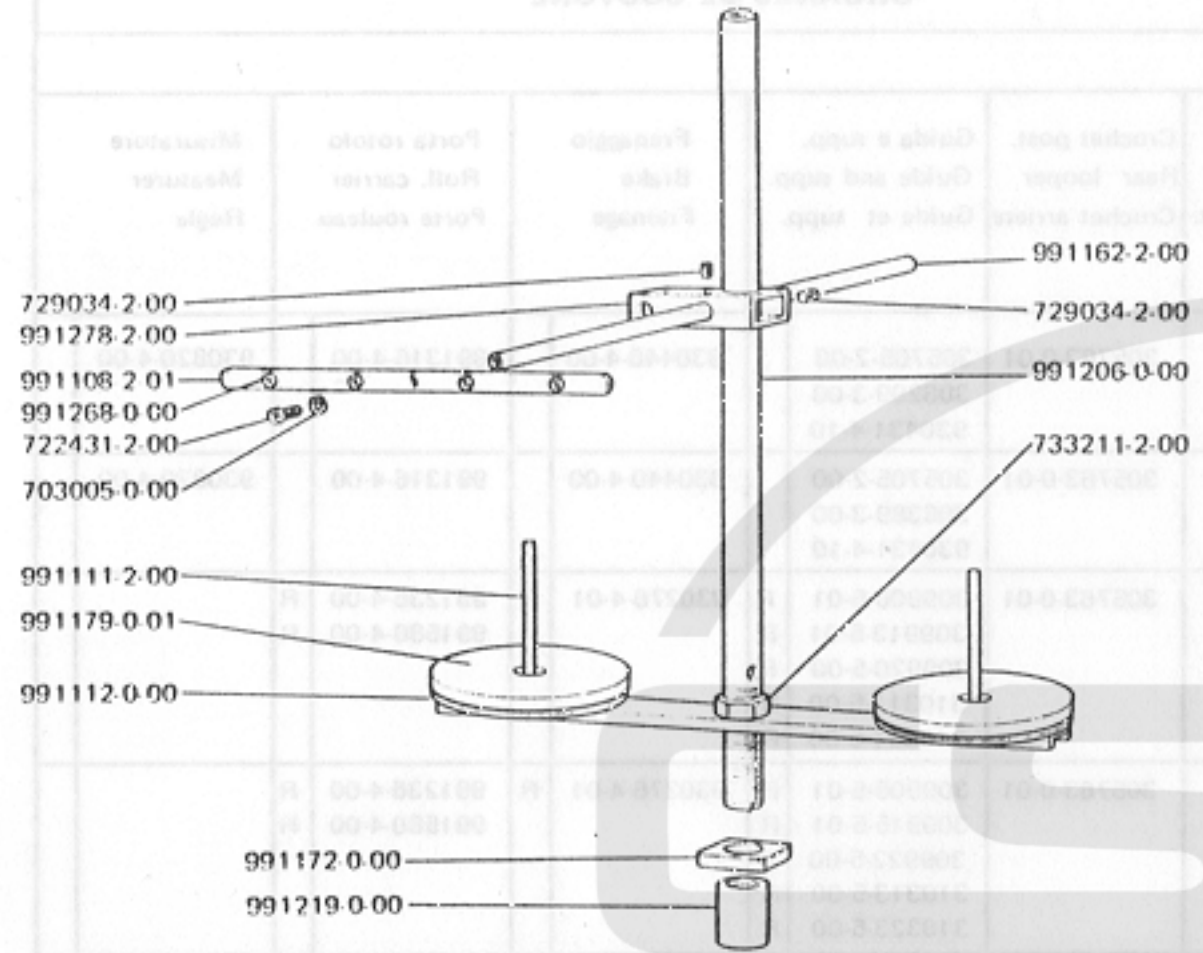
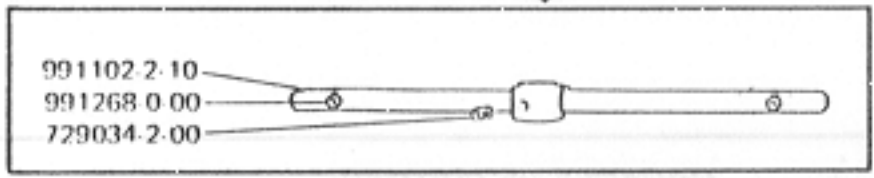
- 733211-2-00
- 991219-0-00



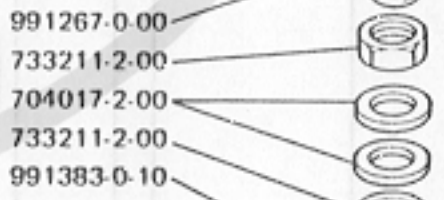
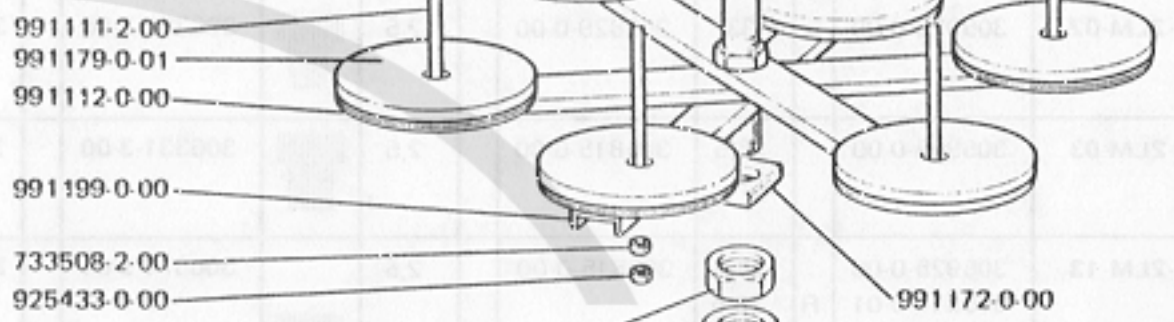
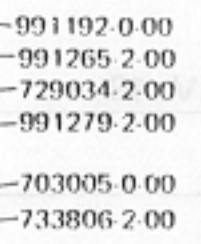
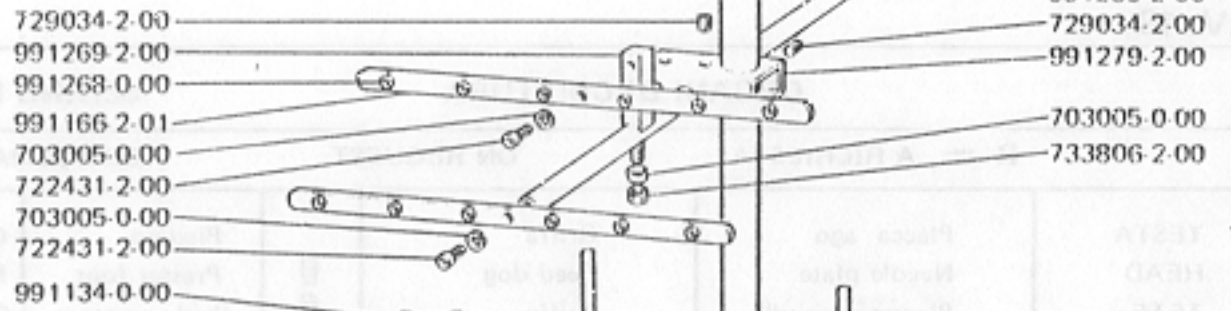
- 991267-0-00
- 733211-2-00
- 704017-2-00
- 733211-2-00
- 991383-0-10

34-42-4LM-16
64-42-4LM-17
34-42-4LM-18
34-42-4LM-24

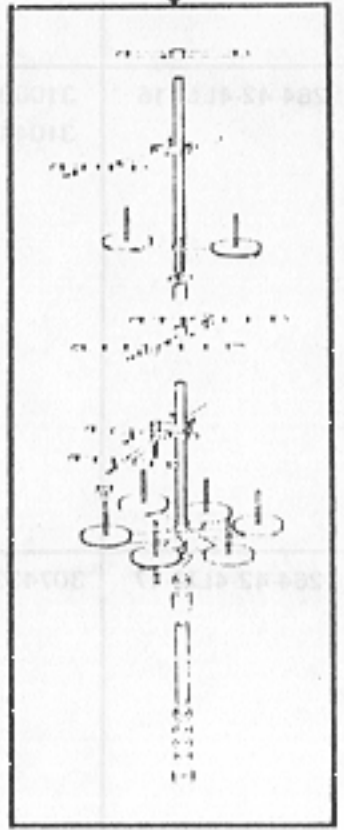
991197-4-00



991193-4-00

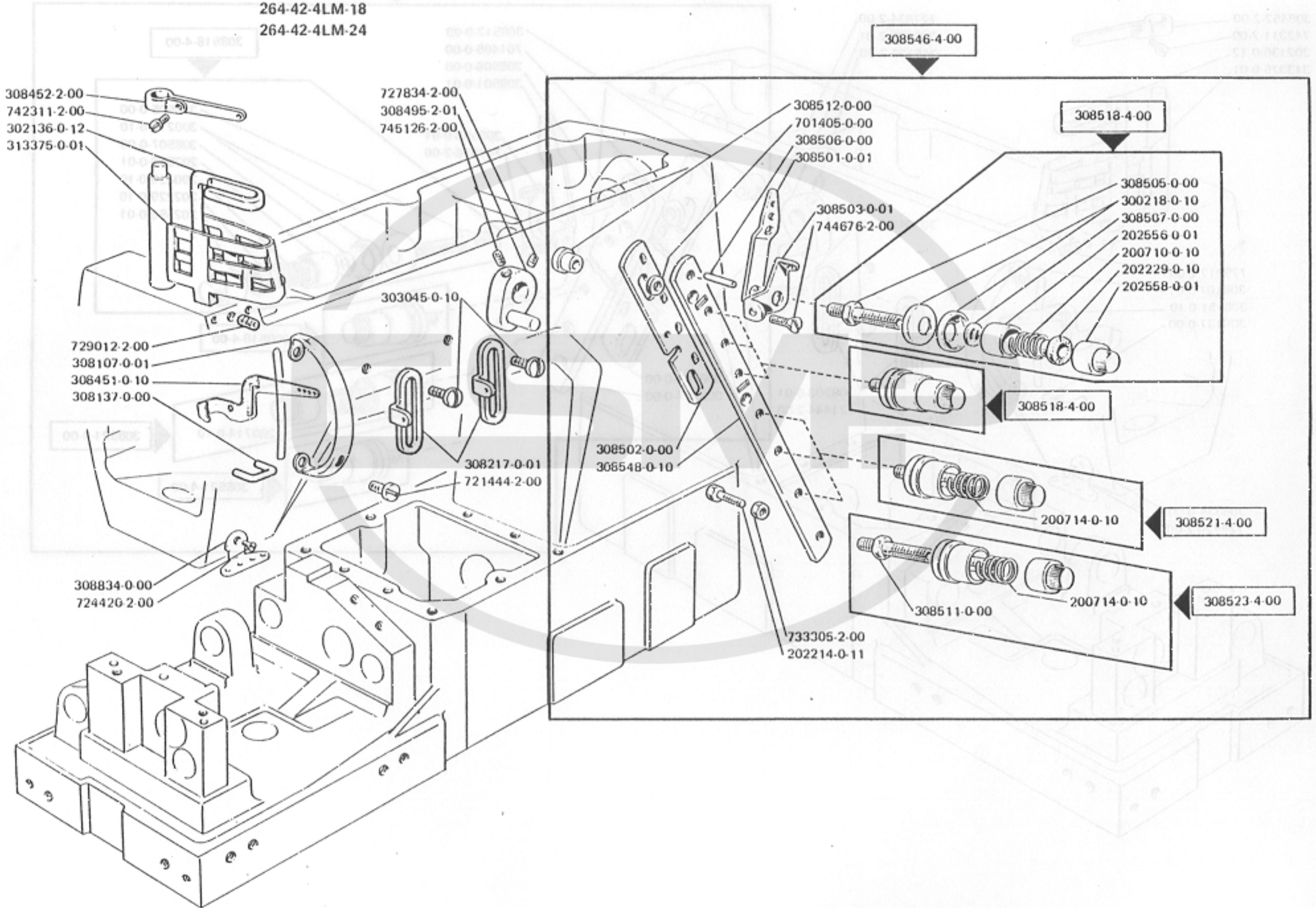


991160-5-02



TAV. 1 B

- 264-42-4LM-16
- 264-42-4LM-17
- 264-42-4LM-18
- 264-42-4LM-24

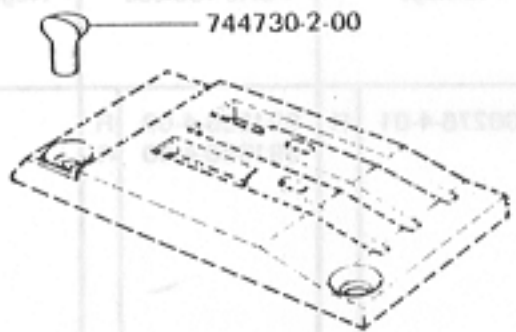
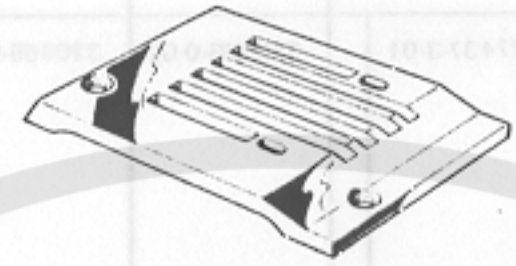
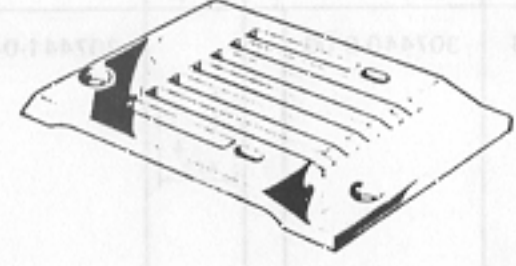
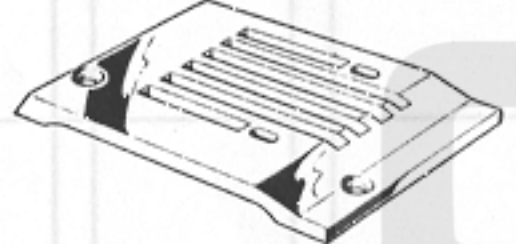
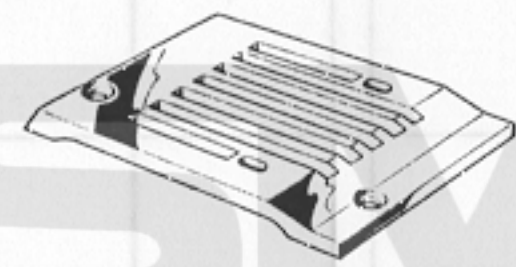
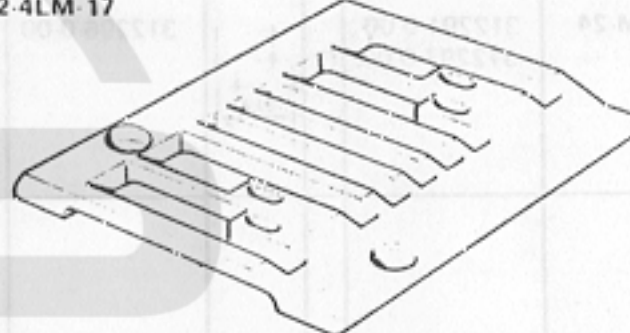
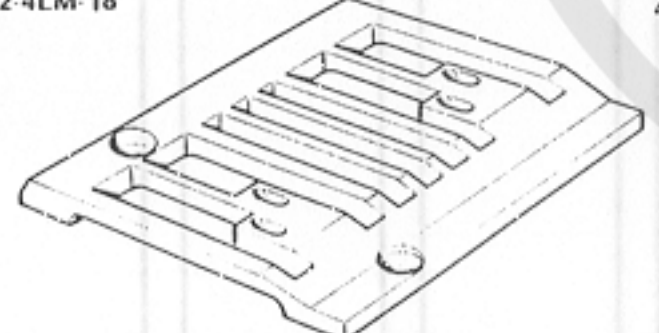
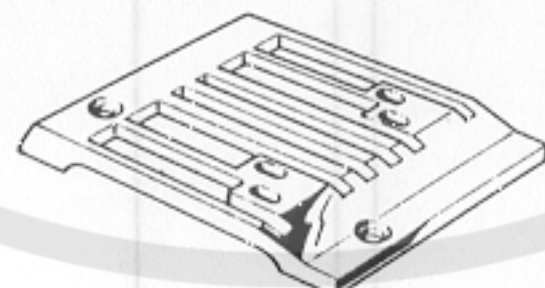
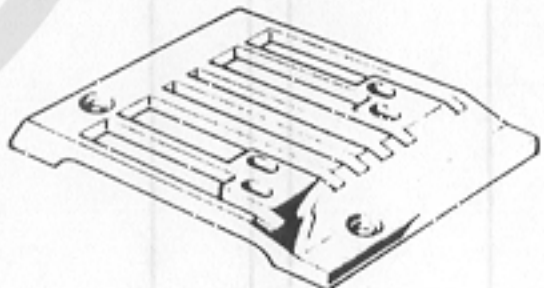
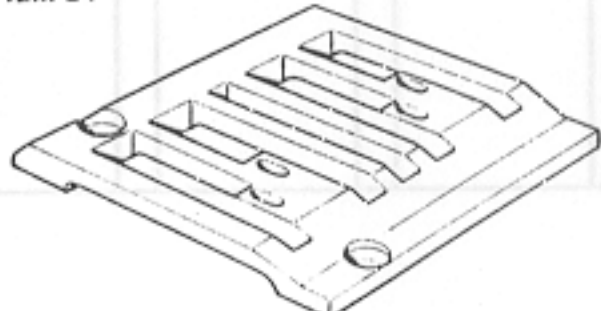
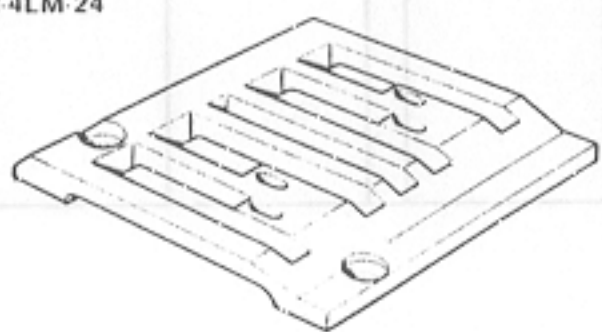


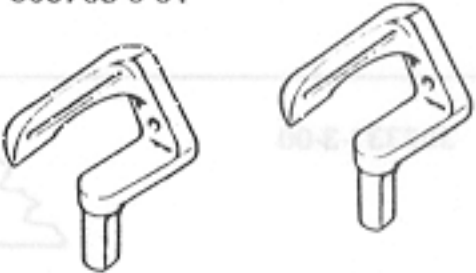


TAV. 19

ORGANI DI CUCITURA			SEWING PARTS			ORGANES DE COUTURE					
R = A RICHIESTA			ON REQUEST			SUR DEMANDE					
TESTA HEAD TETE	Placca ago Needle plate Plaque a aiguille	Griffa Feed dog Griffe	Piedino Presser foot Pied presseur	Crochet ant. Front looper Crochet avant.	Crochet post. Rear looper Crochet arriere	Guida e supp. Guide and supp. Guide et supp.	Frenaggio Brake Freinage	Porta rotolo Roll. carrier Porte rouleau	Misuratore Measurer Regle		
264-38-2LM-02	305928-0-00	33	305829-0-00	2,5	306382-3-00	305763-0-01	305763-0-01	305705-2-00 306299-3-00 930431-4-10	930440-4-00	991316-4-00	930820-4-00
264-38-2LM-03	305925-0-00	28,5	305815-0-00	2,5	306331-3-00	305763-0-01	305763-0-01	305705-2-00 306389-3-00 930431-4-10	930440-4-00	991316-4-00	930820-4-00
264-42-2LM-13	305925-0-00 305814-0-01	R 28,5 28,5	305815-0-00	2,5	306674-3-01	305763-0-01	305763-0-01	309906-5-01 309913-5-01 309920-5-00 310311-5-00 310321-5-00	R 930276-4-01 R	R 991236-4-00 991580-4-00 R	R
264-42-2LM-15	305928-0-00 305828-0-01	R 33 33	305829-0-00	2,5	306088-3-11	305763-0-01	305763-0-01	309908-5-01 309915-5-01 309922-5-00 310313-5-00 310323-5-00	R 930276-4-01 R	R 991236-4-00 991580-4-00 R	R
264-42-4LM-16	310600-0-00 310445-0-01	R 38,2	310467-0-00	2,5	310444-3-01	310466-0-02	310465-0-02	309905-5-01 309907-5-01 309909-5-01 309912-5-01 309914-5-01 309916-5-01 309919-5-00 309921-5-00 309923-5-00 310310-5-00 310312-5-00 310314-5-00 310320-5-00 310322-5-00 310324-5-00	R 930276-4-01 R	R 991236-4-00 991580-4-00 R	R
264-42-4LM-17	307433-0-00	44,5	307434-0-00	2,5	307430-3-01	310466-0-02	310465-0-02	309907-5-01 309909-5-01 309919-5-00 309923-5-00 310312-5-00 310314-5-00 310317-5-00 310319-5-00 310326-5-00 311762-5-00 311764-5-00 311766-5-00	R 930276-4-01 R	R 991236-4-00 991580-4-00 R	R

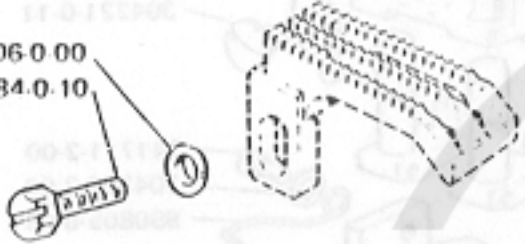
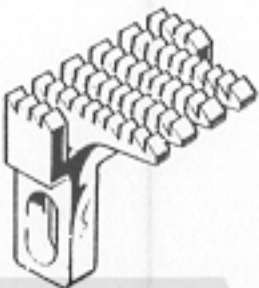
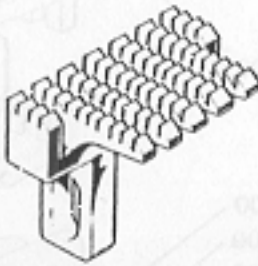
TAV. 21

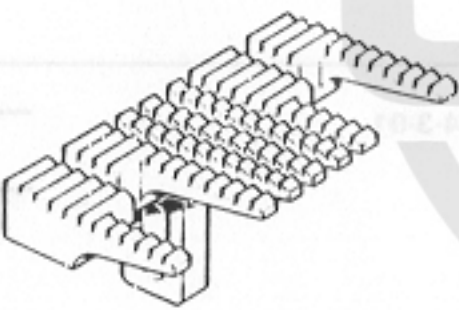
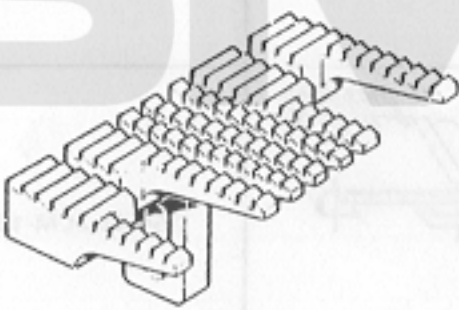
PLACCA AGO - NEEDLE PLATE - PLAQUE A AIGUILLE

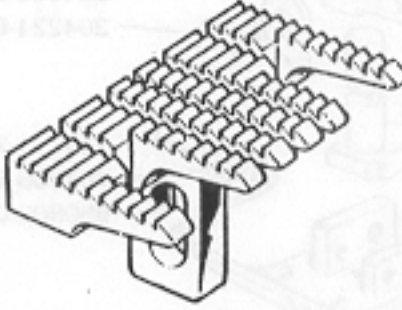
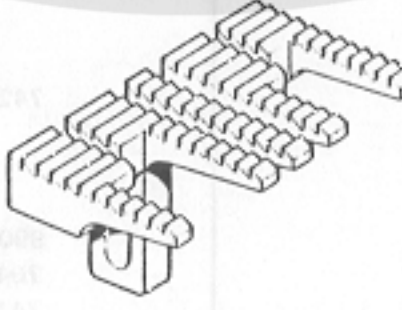
 <p>744730-2-00</p>	<p>305814-0-01</p> <p>264-42-2LM-13</p>  <p>28,5</p>	<p>305828-0-01</p> <p>264-42-2LM-15</p>  <p>33</p>
<p>305925-0-00</p> <p>264-38-2LM-03 264-42-2LM-13</p>  <p>28,5</p>	<p>305928-0-00</p> <p>264-38-2LM-02 264-42-2LM-15</p>  <p>33</p>	<p>307433-0-00</p> <p>264-42-4LM-17</p>  <p>44,5</p>
<p>307440-0-00</p> <p>264-42-4LM-18</p>  <p>47,6</p>	<p>310445-0-01</p> <p>264-42-4LM-16</p>  <p>38,2</p>	<p>310600-0-00</p> <p>264-42-4LM-16</p>  <p>38,2</p>
<p>312291-0-00</p> <p>264-42-4LM-24</p>  <p>31,8</p>	<p>312297-0-00</p> <p>264-42-4LM-24</p>  <p>31,8</p>	

<p>264-38-2LM-02 264-38-2LM-03 264-42-2LM-13 264-42-2LM-15</p> <p>305763-0-01</p> 	<p>264-42-4LM-16 264-42-4LM-17 264-42-4LM-18</p> <p>310465-0-02</p> <p>310466-0-00</p> 	<p>264-42-4LM-24</p> <p>310465-0-02</p> <p>310464-0-02</p> 
--	--	--

GRIFFA · FEED DOG · GRIFFE

<p>704406-0-00 304684-0-10</p> 	<p>264-38-2LM-03 264-42-2LM-13</p> <p>305815-0-00</p>  <p>2,5</p>	<p>264-38-2LM-02 264-42-2LM-15</p> <p>305829-0-00</p>  <p>2,5</p>
--	---	---

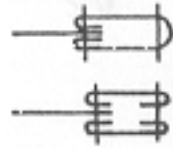
<p>264-42-4LM-17</p> <p>307434-0-00</p>  <p>2,5</p>	<p>264-42-4LM-18</p> <p>307441-0-00</p>  <p>2,5</p>
---	---

<p>264-42-4LM-16</p> <p>310467-0-00</p>  <p>2,5</p>	<p>264-42-4LM-24</p> <p>312296-0-00</p>  <p>2,5</p>
---	---

AGO · NEEDLE · AIGUILLE			
SIMBOLO SYMBOL SYMBOLE	UY GAS	FIN. SIZE GAUGE	TESTA HEAD TETE
960460-1-80	128	80	264-38-2LM-02 264-38-2LM-03
960460-1-12	128	120	264-42-2LM-13 264-42-2LM-15 264-42-4LM-16 264-42-4LM-17 264-42-4LM-18 264-42-4LM-24

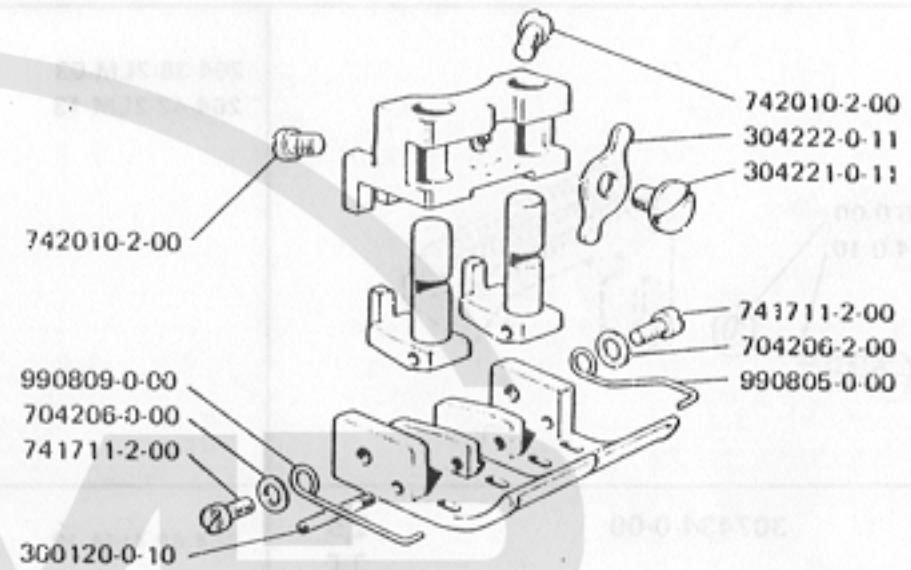
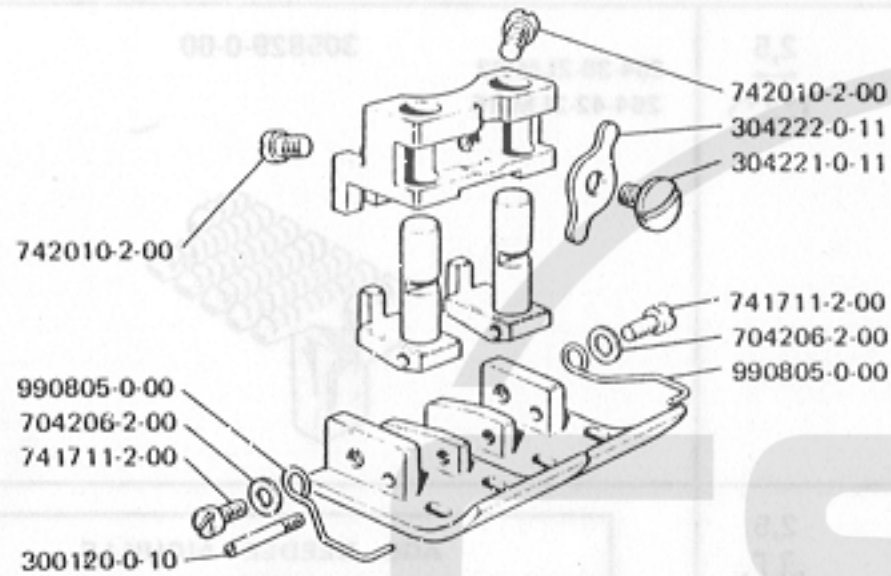
264-42-2LM-15

306088-3-11



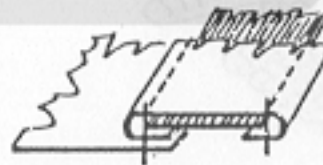
264-38-2LM-03

306331-3-00



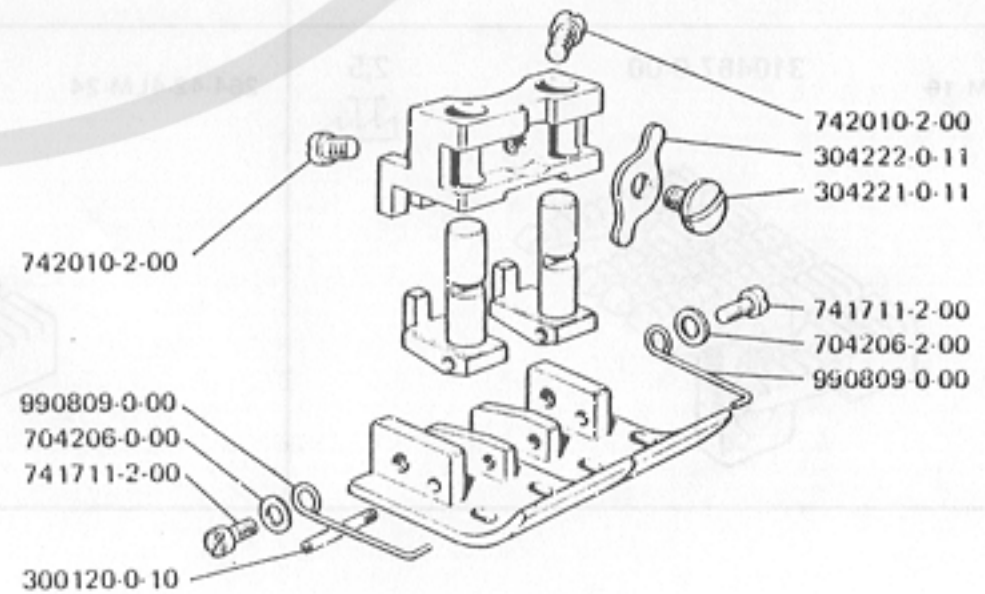
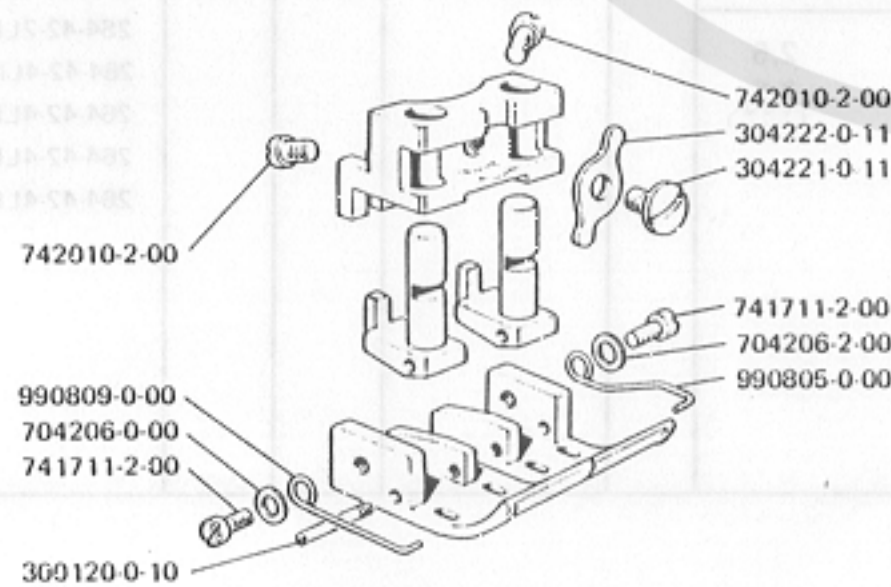
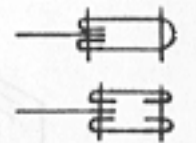
264-38-2LM-02

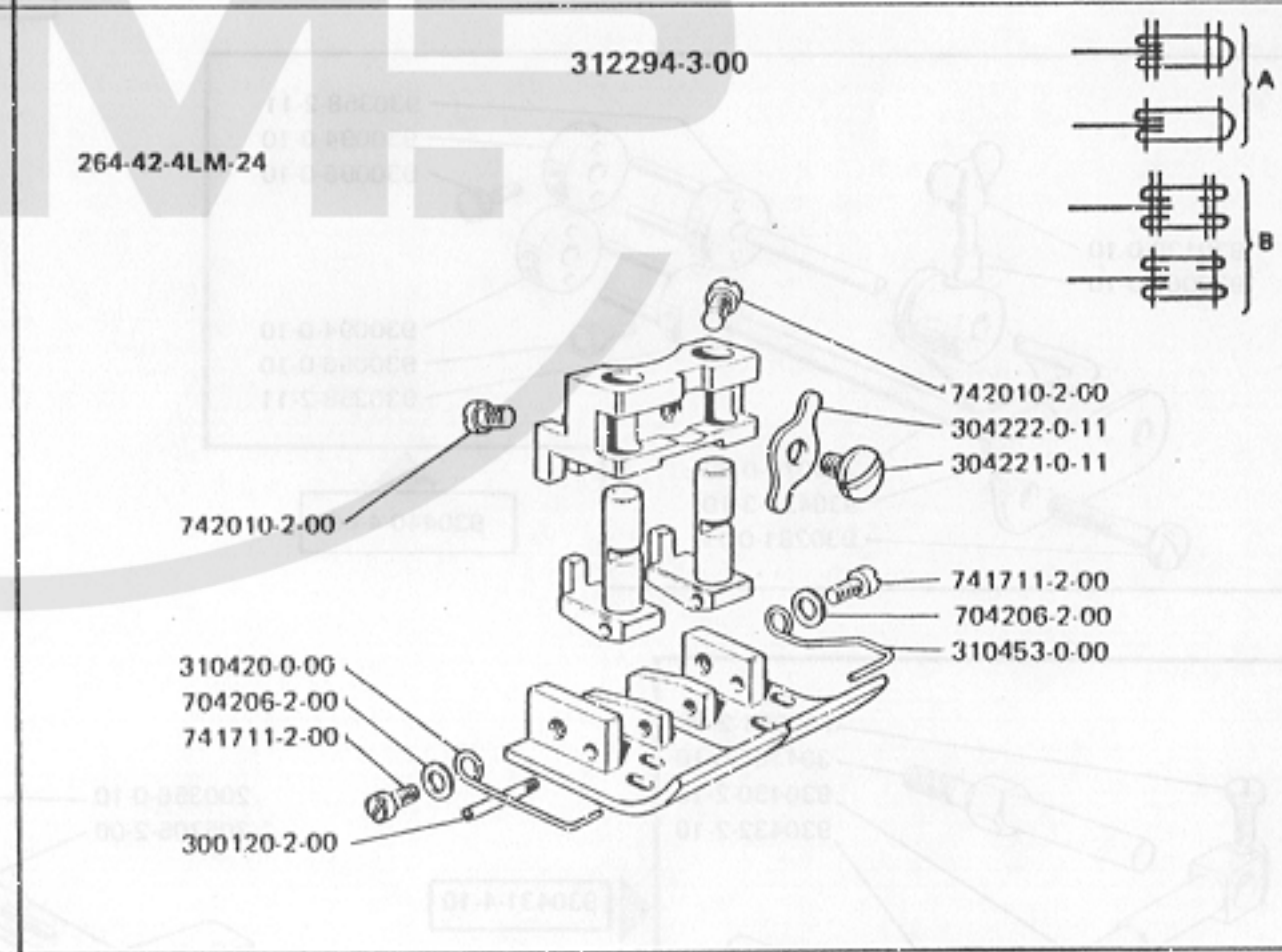
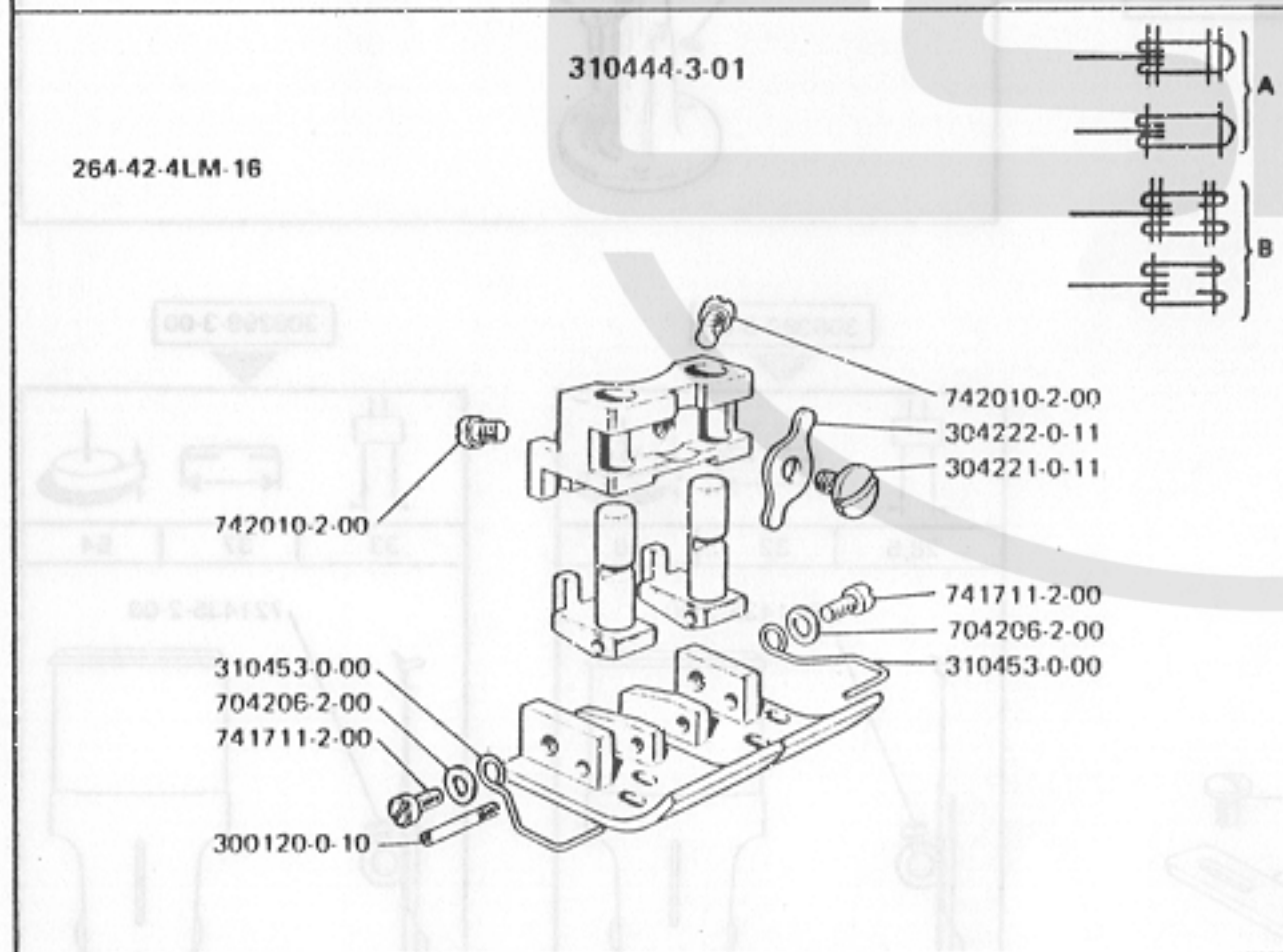
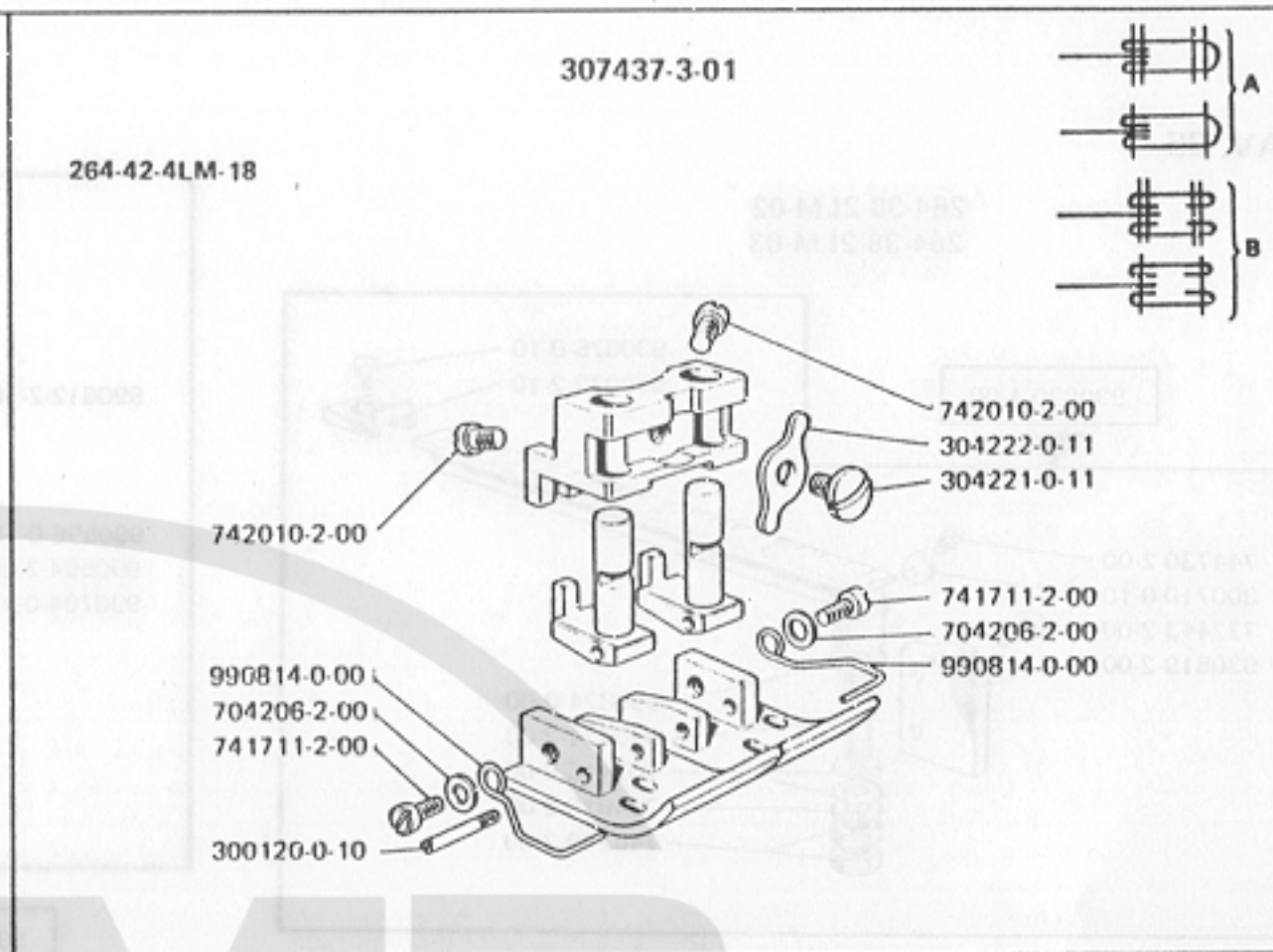
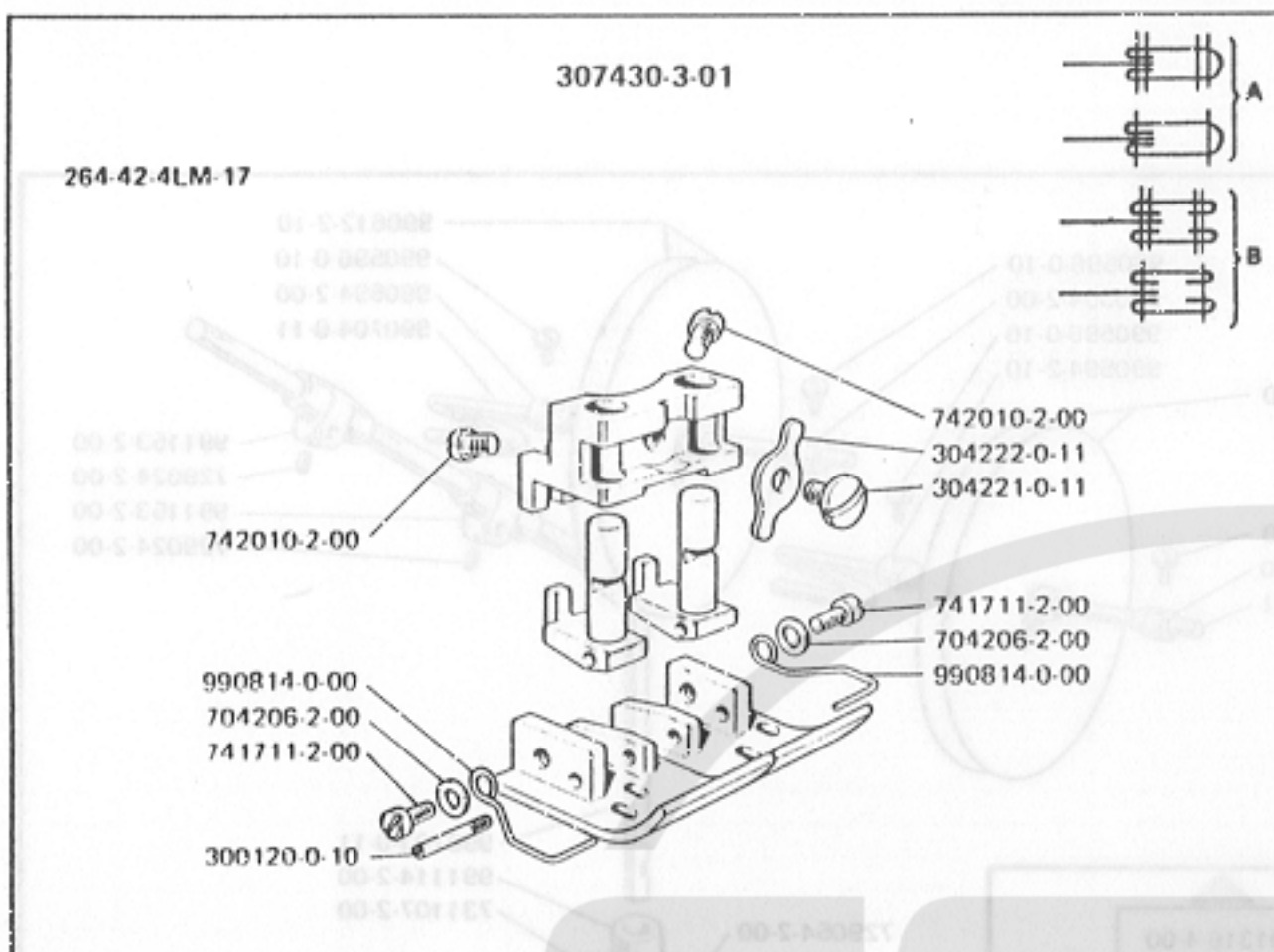
306382-3-00



264-42-2LM-13

306674-3-01



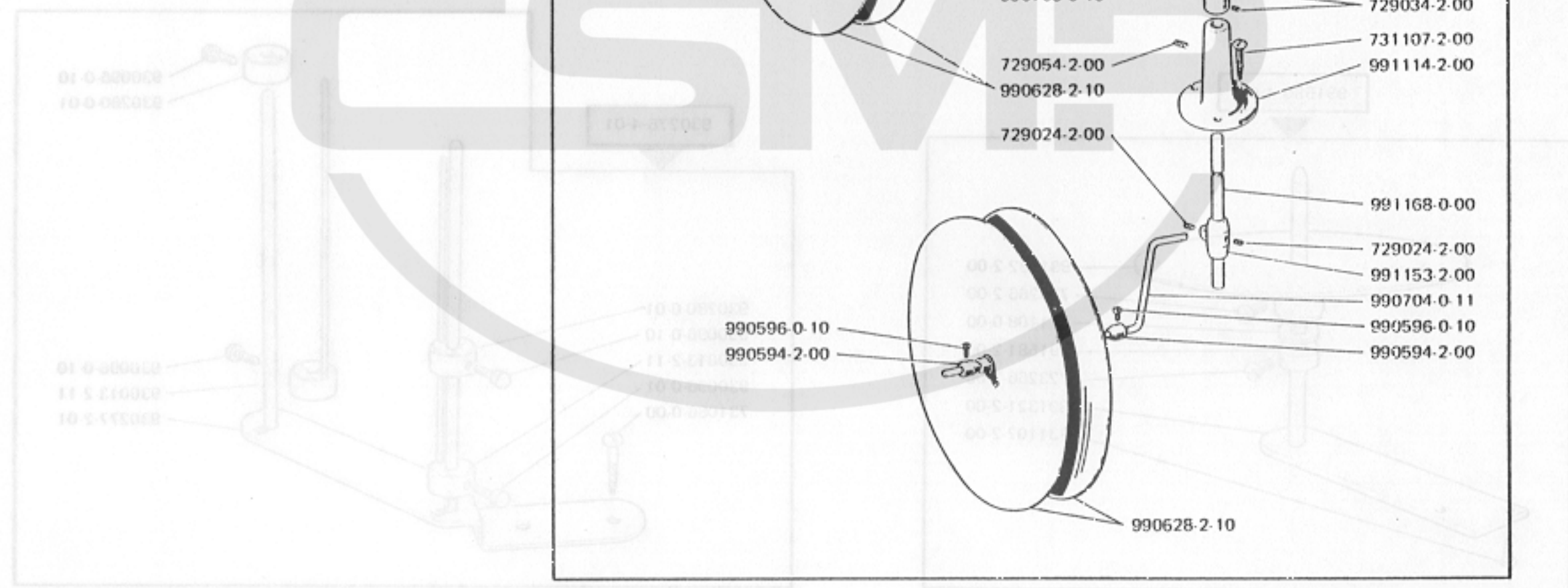
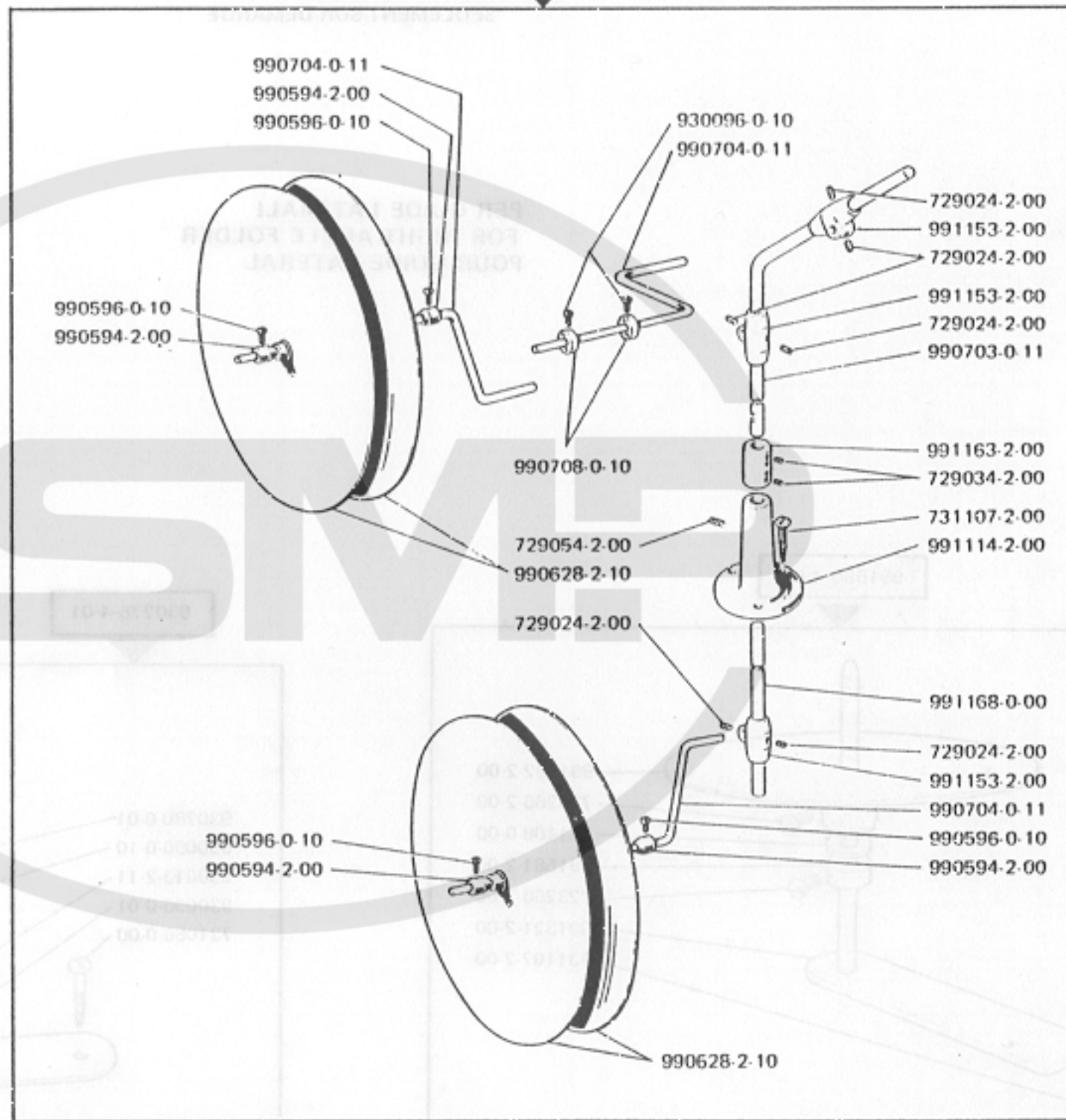


PER GUIDE FRONTALI
FOR FRONT FOLDER
POUR GUIDE FRONTAL

- 264.42.2LM-13
- 264.42.2LM-15
- 264.42.4LM-16
- 264.42.4LM-17
- 264.42.4LM-18
- 264.42.4LM-24

SOLO A RICHIESTA
ONLY ON REQUEST
SEULEMENT SUR DEMANDE

991236-4-00

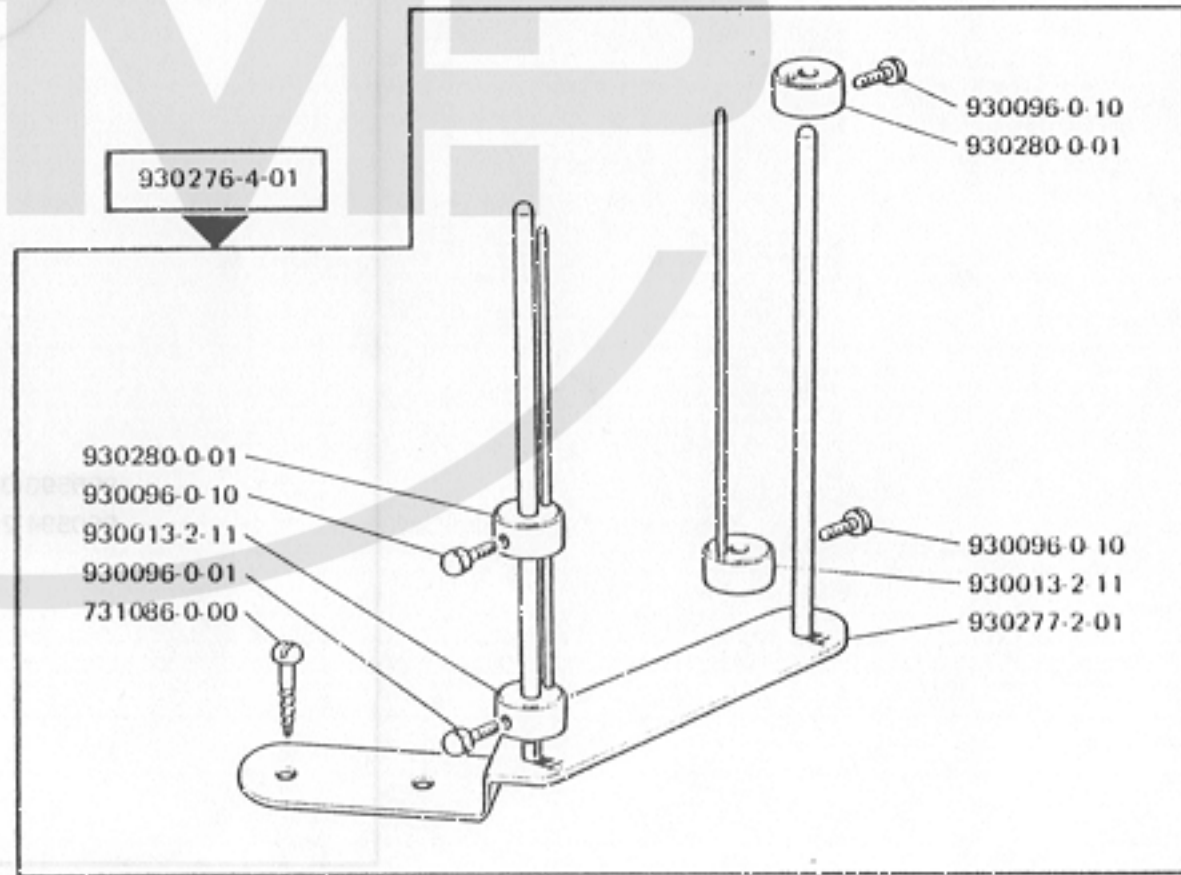
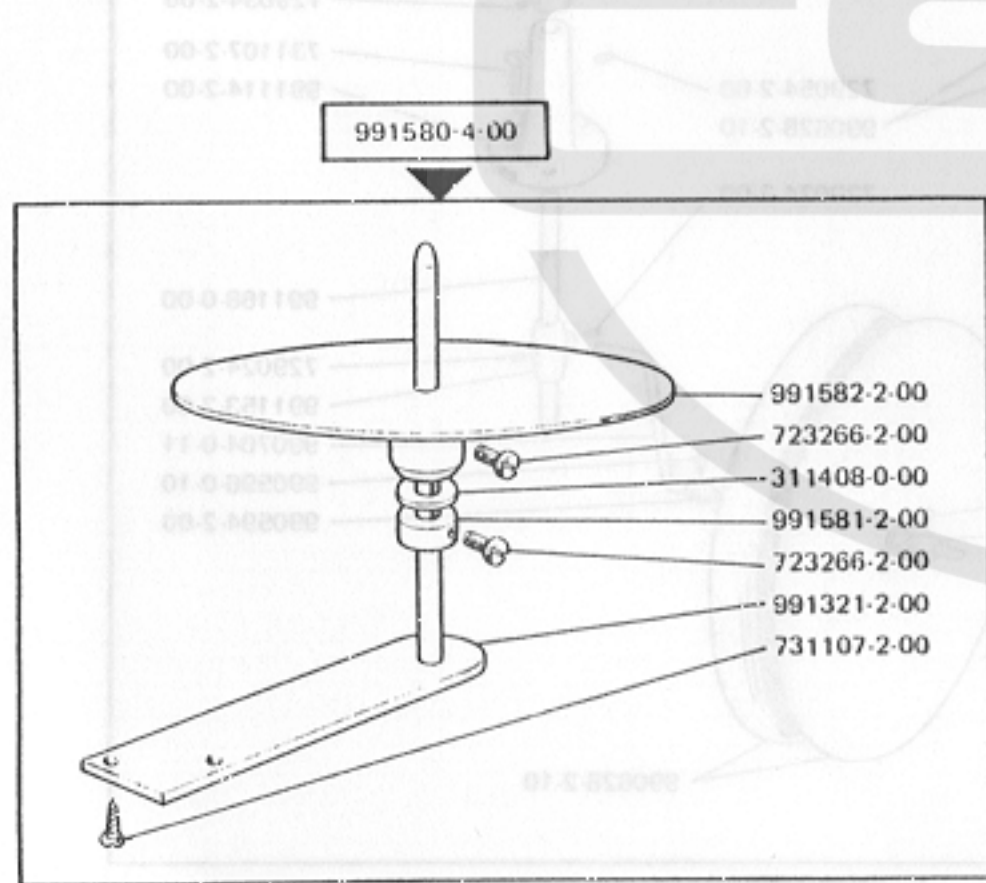


PER GUIDE FRONTALI
FOR FRONT FOLDER
POUR GUIDE FRONTAL

SOLO A RICHIESTA
ONLY ON REQUEST
SEULEMENT SUR DEMANDE

- 264-42-2LM-13
- 264-42-2LM-15
- 264-42-4LM-16
- 264-42-4LM-17
- 264-42-4LM-18
- 264-42-4LM-24

PER GUIDE LATERALI
FOR RIGHT ANGLE FOLDER
POUR GUIDE LATÉRAL



264-42-2LM-13
264-42-2LM-15
264-42-4LM-16
264-42-4LM-17
264-42-4LM-18
264-42-4LM-24

SOLO A RICHIESTA
ONLY ON REQUEST
SEULEMENT SUR DEMANDE

SOLO A RICHIESTA
 ONLY ON REQUEST
 SEULEMENT SUR DEMANDE

1

2

3

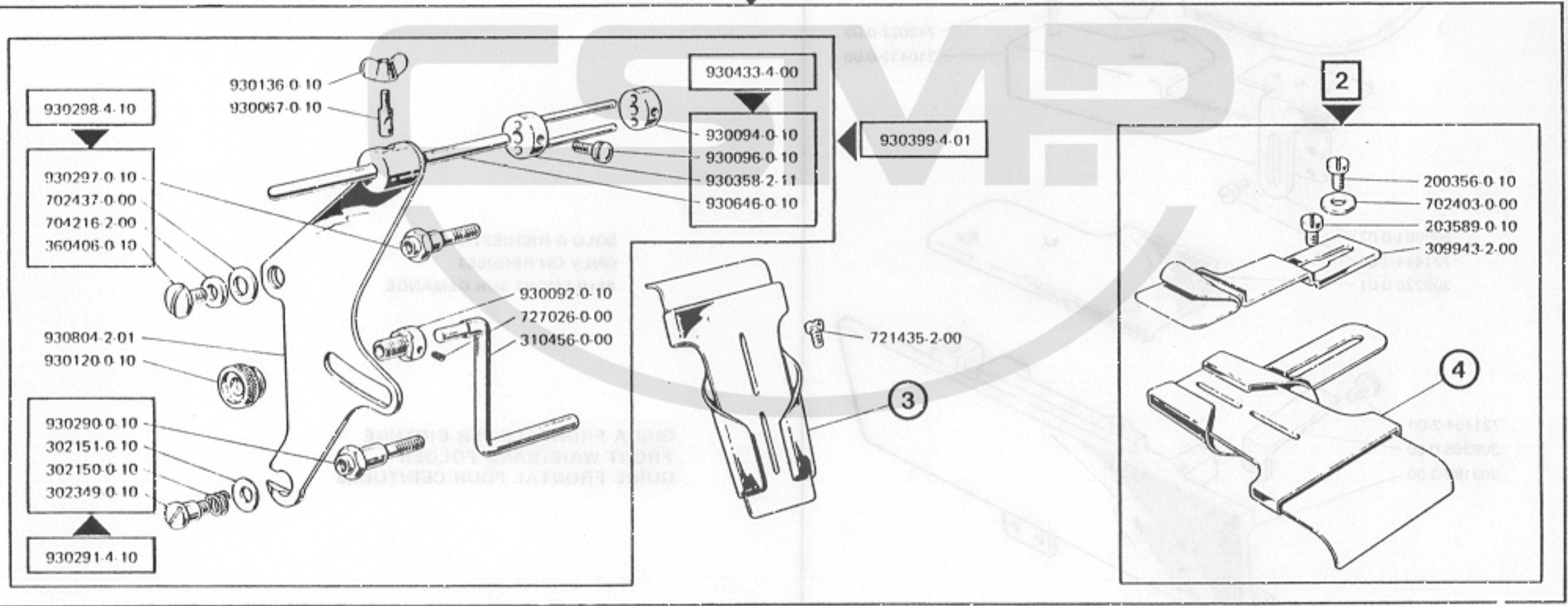
4



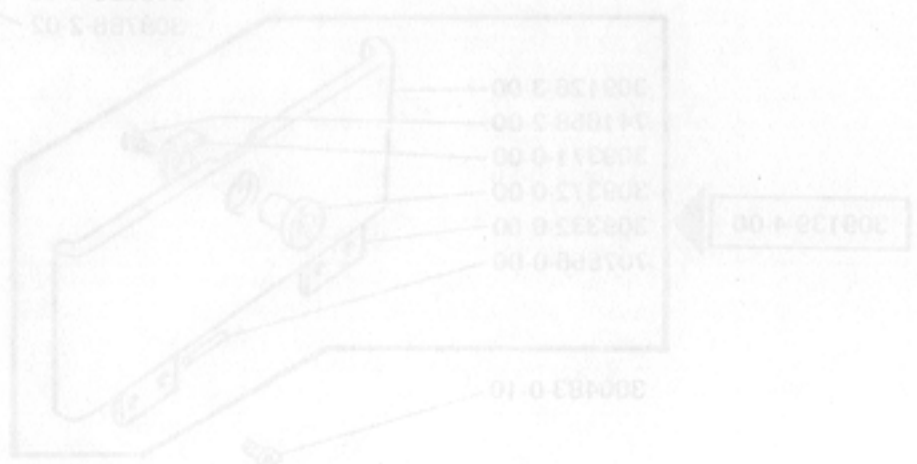
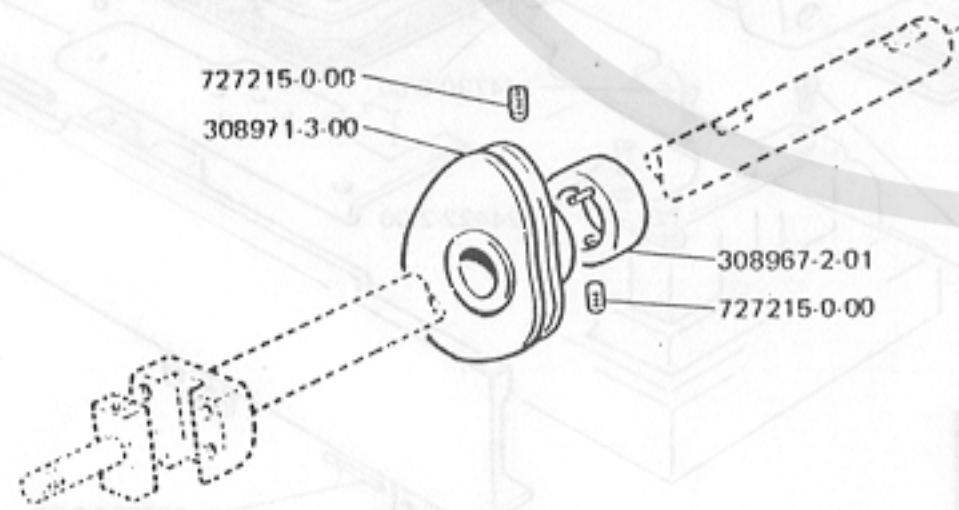
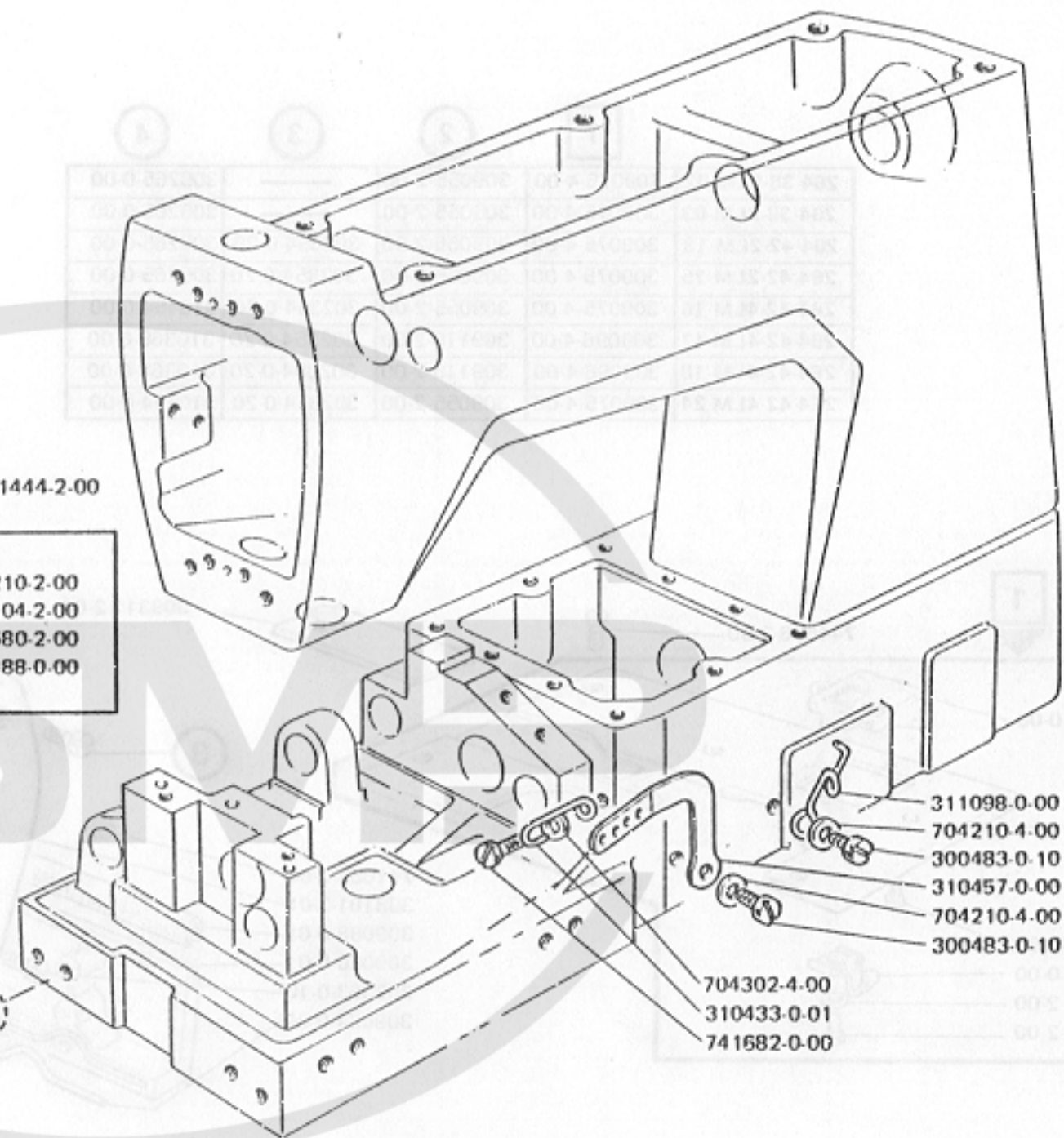
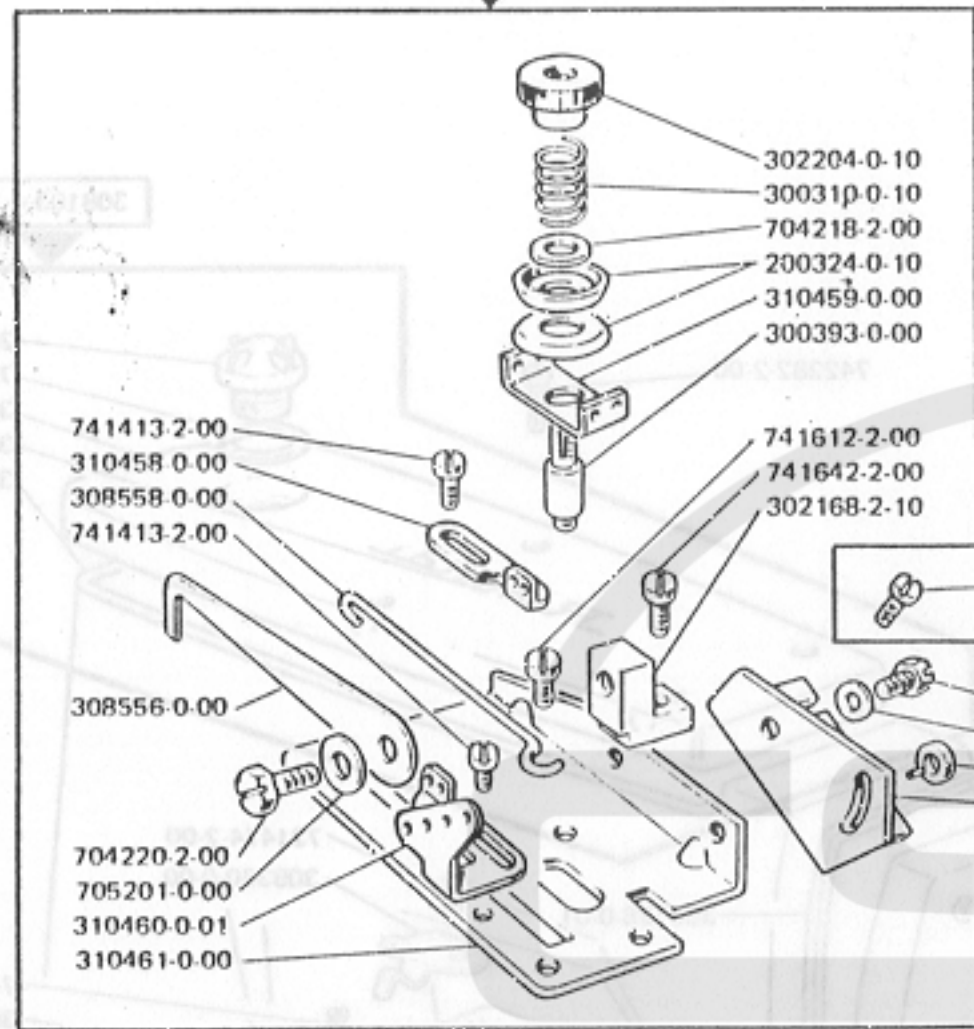
264-42-2LM-13	309920-5-00	309963-4-00	309929-2-00	309948-2-00	28,5	33	55
264-42-2LM-15	309922-5-00	309969-4-00	309935-2-00	309954-2-00	33 34,8	39	62
264-42-4LM-16	309919-5-00	309960-4-00	309926-2-00	309945-2-00	25,4	30	52
	309921-5-00	309966-4-00	309932-2-00	309951-2-00	31,8	36	58
264-42-4LM-17	309923-5-00	309972-4-00	309938-2-00	309957-2-00	38,2	43	65
	309919-5-00	309960-4-00	309926-2-00	309945-2-00	25,4	30	52
264-42-4LM-18	309923-5-00	309972-4-00	309938-2-00	309957-2-00	38,2	43	65
	309922-5-00	309969-4-00	309935-2-00	309954-2-00	33 34,8	39	62
264-42-4LM-24	309921-5-00	309966-4-00	309932-2-00	309951-2-00	31,8	36	58

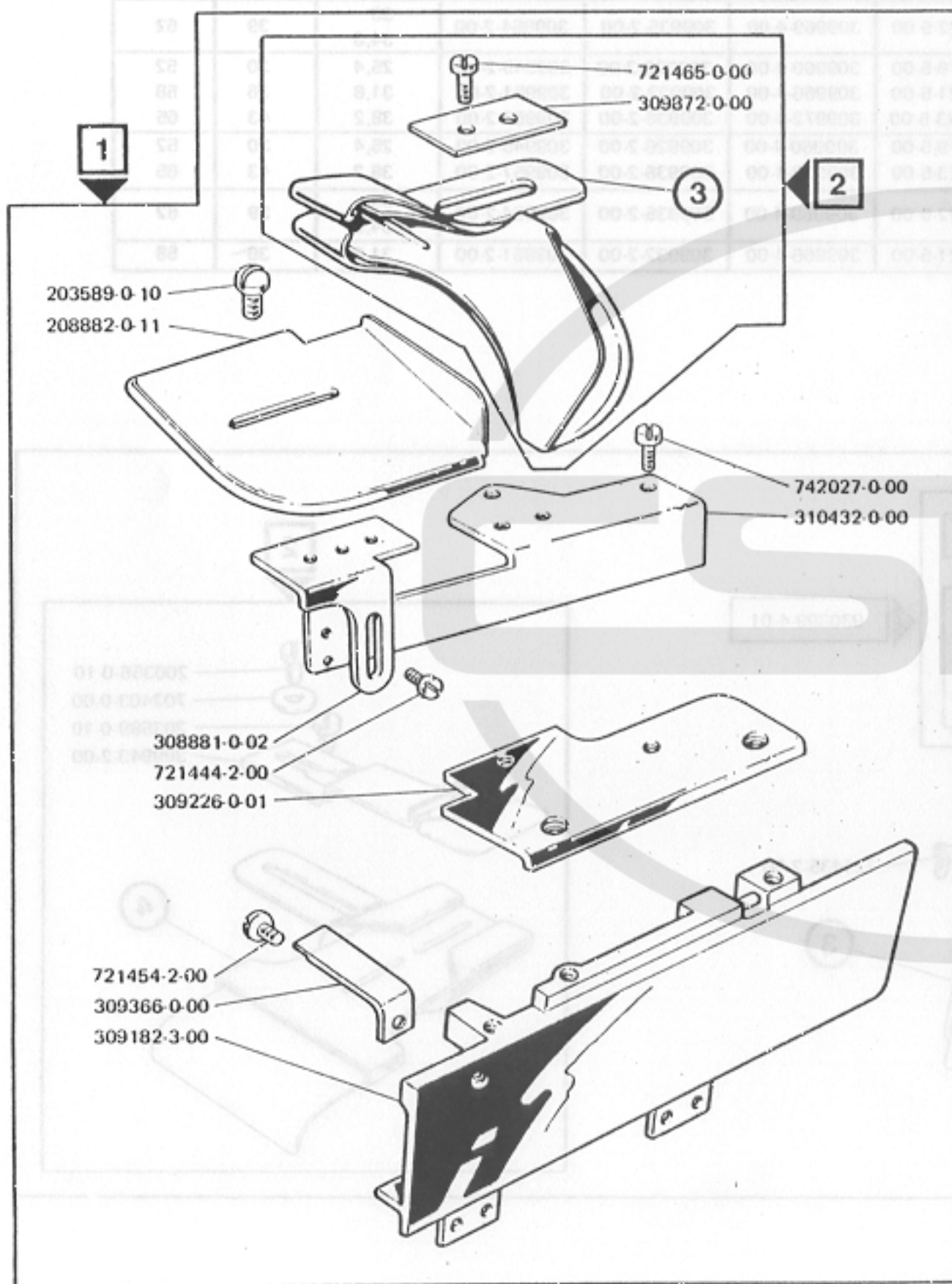
GUIDE PER CINTURE IN DUE PEZZI
 TWO PIECE WAISTBAND FOLDERS
 GUIDES POUR CEINTURES EN DEUX PIECES

1



310462-4.00





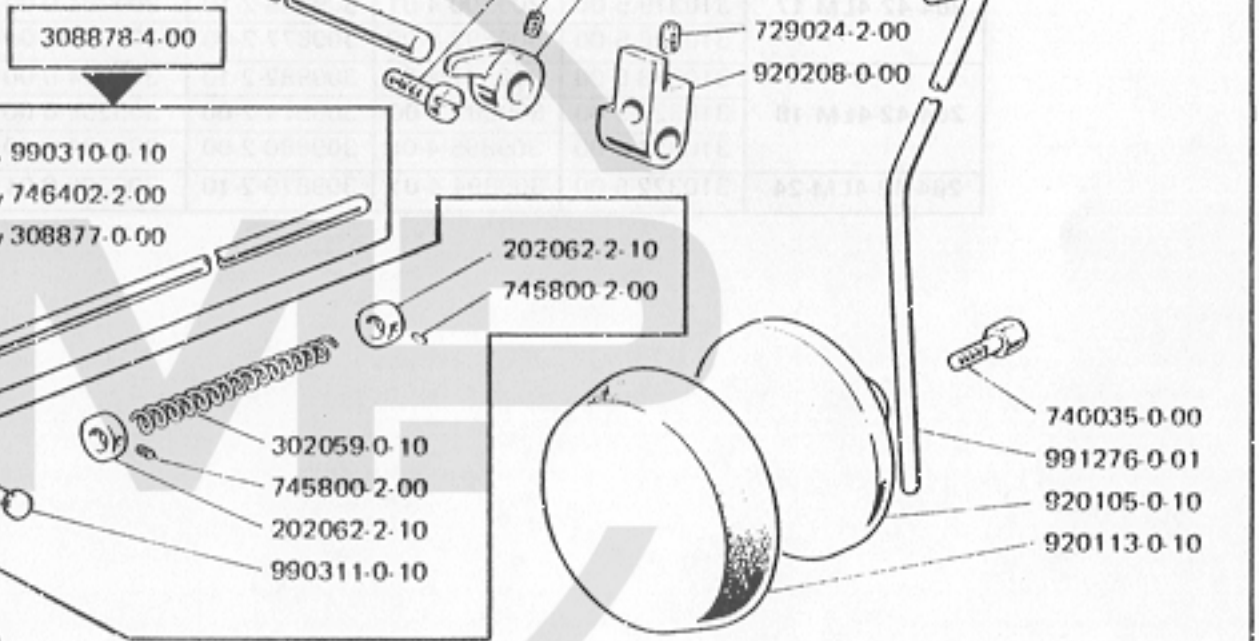
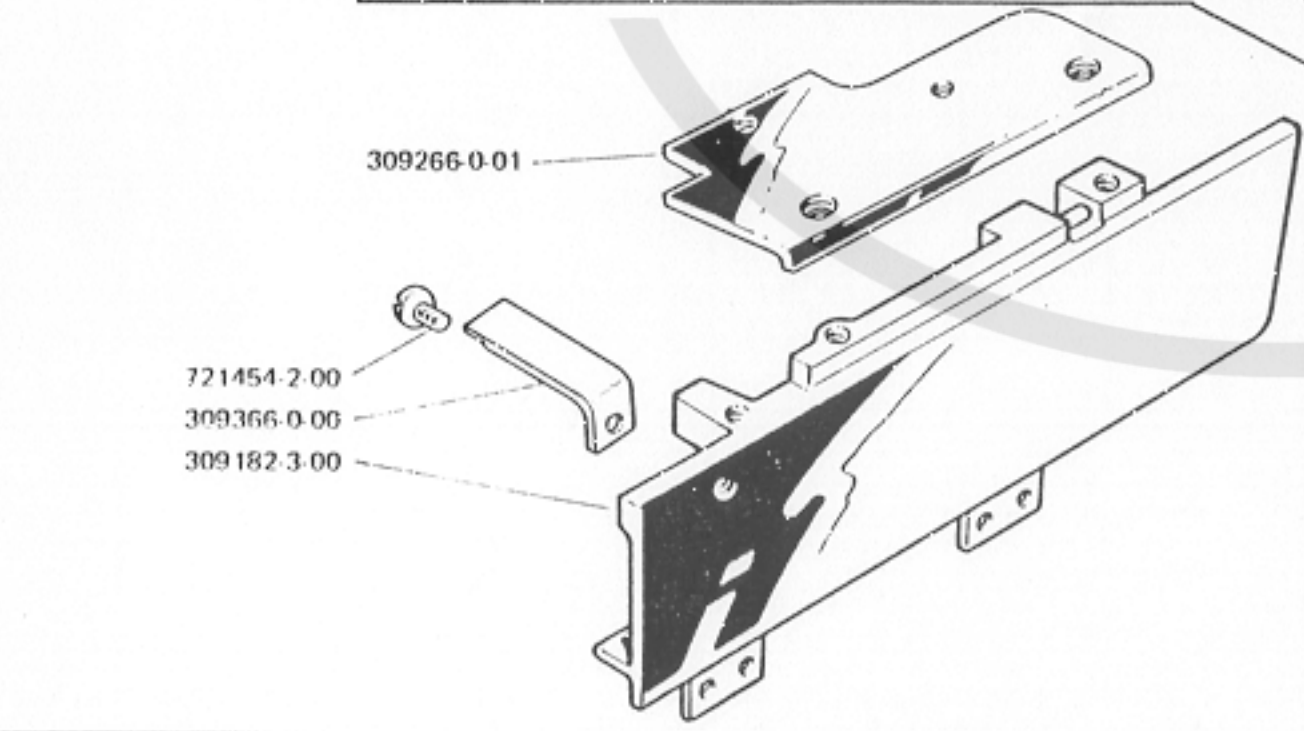
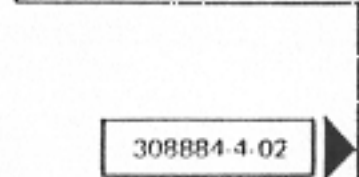
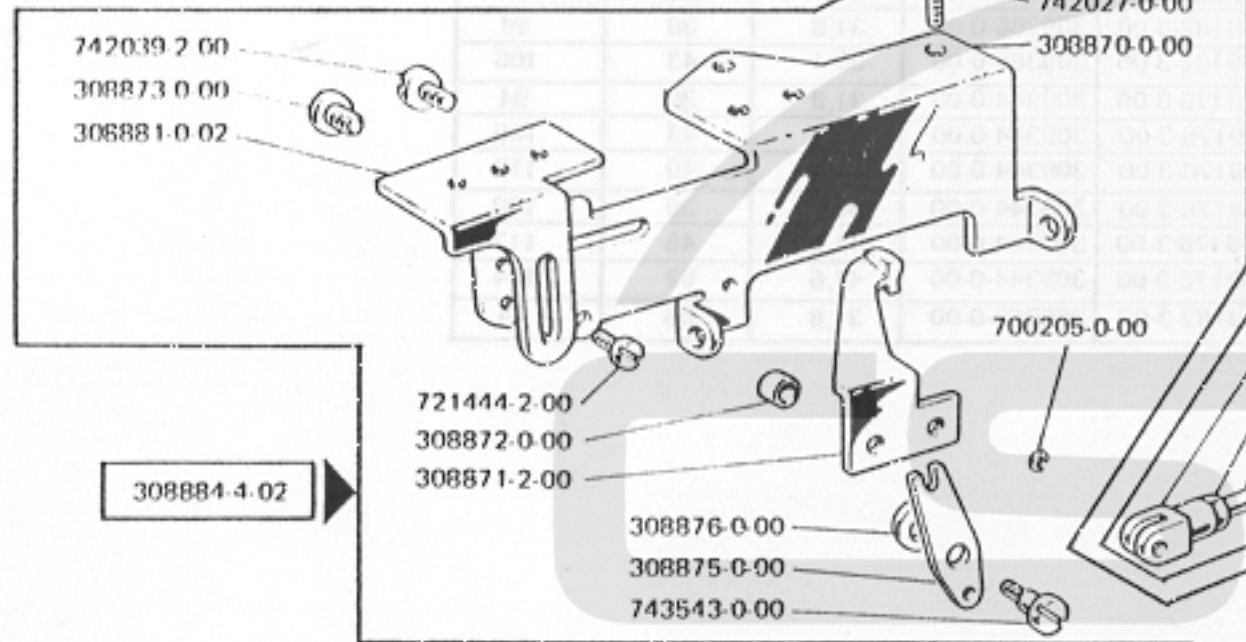
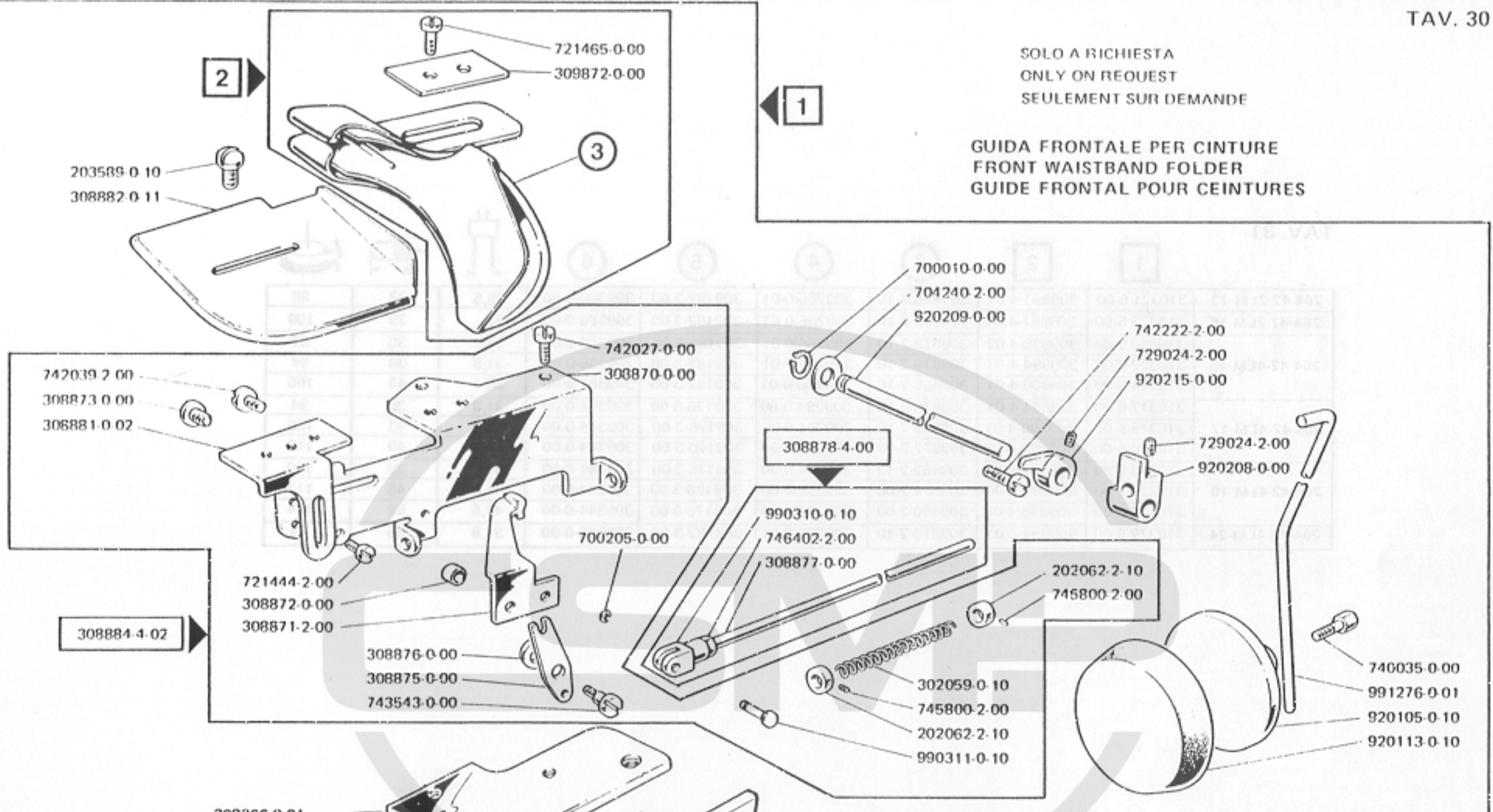
	1	2	3			
264-42-2LM-13	310311-5-00	309986-4-00	309977-2-00	28,5	33	88
264-42-2LM-15	310313-5-00	309988-4-00	309979-2-00	33	39	100
264-42-4LM-16	310310-5-00	309985-4-00	309976-2-00	25,4	30	82
	310312-5-00	309987-4-00	309978-2-00	31,8	36	94
	310314-5-00	309989-4-00	309980-2-00	38,2	43	106
264-42-4LM-17	310312-5-00	309987-4-00	309978-2-00	31,8	36	94
	310314-5-00	309989-4-00	309980-2-00	38,2	43	106
264-42-4LM-18	310314-5-00	309989-4-00	309980-2-00	38,2	43	106
264-42-4LM-24	310312-5-00	309987-4-00	309978-2-00	31,8	36	94

SOLO A RICHIESTA
ONLY ON REQUEST
SEULEMENT SUR DEMANDE

GUIDA FRONTALE PER CINTURE
FRONT WAISTBAND FOLDER
GUIDE FRONTAL POUR CEINTURES

SOLO A RICHIESTA
 ONLY ON REQUEST
 SEULEMENT SUR DEMANDE

GUIDA FRONTALE PER CINTURE
 FRONT WAISTBAND FOLDER
 GUIDE FRONTAL POUR CEINTURES



	1	2	3			
264-42-2LM-13	309906-5-01	309986-4-00	309977-2-00	28,5	33	88
264-42-2LM-15	309908-5-01	309988-4-00	309979-2-00	33	39	100
264-42-4LM-16	309905-5-01	309985-4-00	309976-2-00	25,4	30	82
	309907-5-01	309987-4-00	309978-2-00	31,8	36	94
	309909-5-01	309989-4-00	309980-2-00	38,2	43	106
264-42-4LM-17	309907-5-01	309987-4-00	309978-2-00	31,8	36	94
	309909-5-01	309989-4-00	309980-2-00	38,2	43	106
264-42-4LM-18	309909-5-01	309989-4-00	309980-2-00	38,2	43	106
264-42-4LM-24	309907-5-01	309987-4-00	309978-2-00	31,8	36	94

SEULEMENT SUR DEMANDE
 ONLY ON REQUEST
 SOLO A RICHIESTA
 GUIDE FRONTALE PER CINTURE
 FRONT WAISTBAND FOLDER
 GUIDE FRONTAL POUR CEINTURES

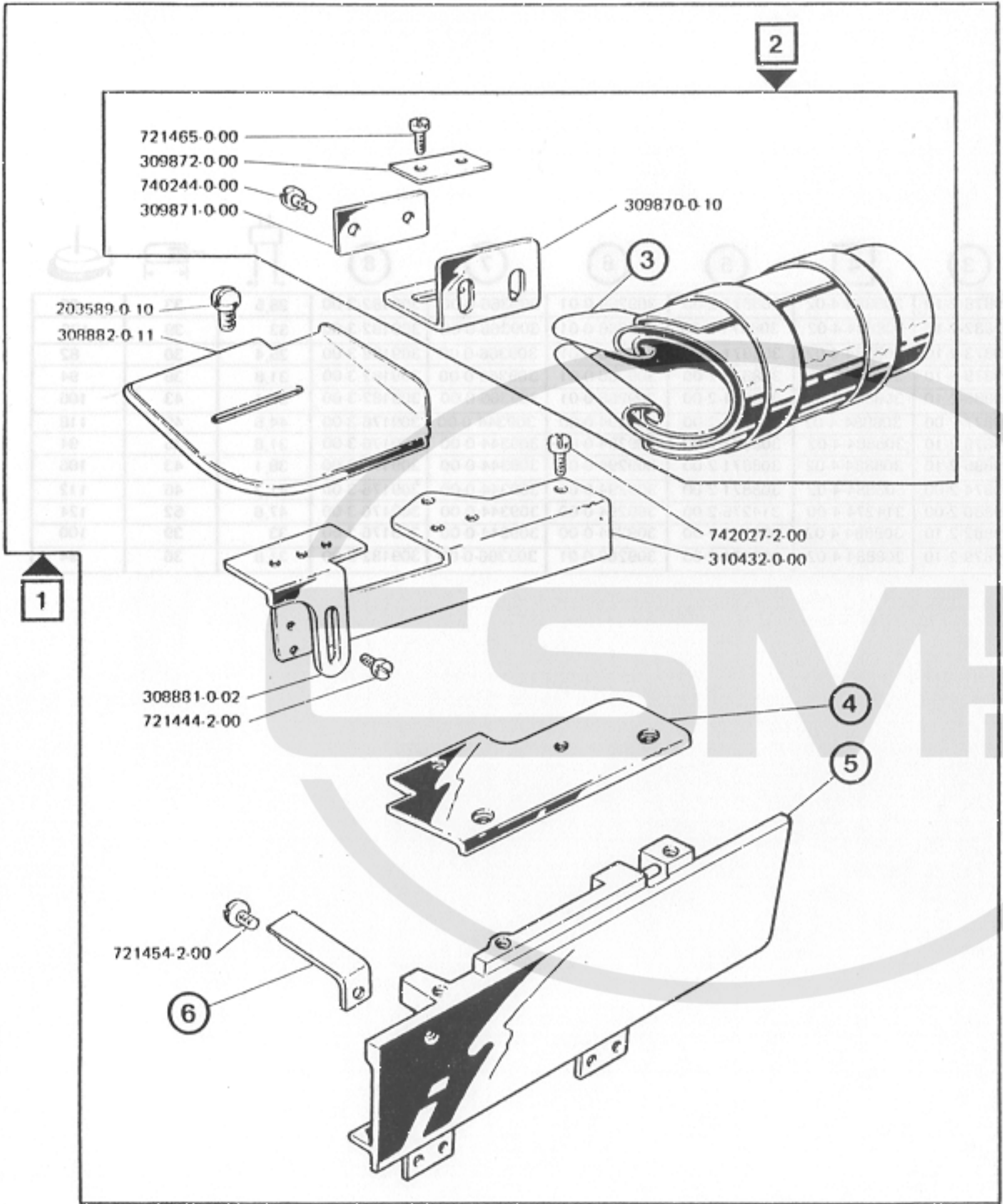
TAV. 31

- 1 2 3 4 5 6

264-42-2LM-13	310321-5-00	309891-4-01	309876-2-10	309266-0-01	309182-3-00	309366-0-00	28,5	33	88
264-42-2LM-15	310323-5-00	309897-4-01	309882-2-10	309266-0-01	309182-3-00	309366-0-00	33	39	100
264-42-4LM-16	310320-5-00	309888-4-02	309873-2-10	309266-0-01	309182-3-00	309366-0-00	25,4	30	82
	310322-5-00	309894-4-01	309879-2-10	309266-0-01	309182-3-00	309366-0-00	31,8	36	94
	310324-5-00	309900-4-01	309885-2-10	309266-0-01	309182-3-00	309366-0-00	38,1	43	106
264-42-4LM-17	310317-5-00	309894-4-01	309879-2-10	309294-0-00	309176-3-00	309344-0-00	31,8	36	94
	310319-5-00	309900-4-01	309885-2-10	309294-0-00	309176-3-00	309344-0-00	38,1	43	106
	310326-5-00	309892-4-00	309877-2-00	309294-0-00	309176-3-00	309344-0-00	44,5	49	118
264-42-4LM-18	310318-5-00	309897-4-01	309882-2-10	309294-0-00	309176-3-00	309344-0-00	33	39	100
	310325-5-00	309889-4-00	309874-2-00	309294-0-00	309176-3-00	309344-0-00	41,2	46	112
	310327-5-00	309895-4-00	309880-2-00	309294-0-00	309176-3-00	309344-0-00	47,6	52	124
264-42-4LM-24	310322-5-00	309894-4-01	309879-2-10	309266-0-01	309182-3-00	309366-0-00	31,8	36	94

3 5 1

264-42-2LM-13	310321-5-00	309891-4-01	309876-2-10	309266-0-01	309182-3-00	309366-0-00	28,5	33	88
264-42-2LM-15	310323-5-00	309897-4-01	309882-2-10	309266-0-01	309182-3-00	309366-0-00	33	39	100
264-42-4LM-16	310320-5-00	309888-4-02	309873-2-10	309266-0-01	309182-3-00	309366-0-00	25,4	30	82
	310322-5-00	309894-4-01	309879-2-10	309266-0-01	309182-3-00	309366-0-00	31,8	36	94
	310324-5-00	309900-4-01	309885-2-10	309266-0-01	309182-3-00	309366-0-00	38,1	43	106
264-42-4LM-17	310317-5-00	309894-4-01	309879-2-10	309294-0-00	309176-3-00	309344-0-00	31,8	36	94
	310319-5-00	309900-4-01	309885-2-10	309294-0-00	309176-3-00	309344-0-00	38,1	43	106
	310326-5-00	309892-4-00	309877-2-00	309294-0-00	309176-3-00	309344-0-00	44,5	49	118
264-42-4LM-18	310318-5-00	309897-4-01	309882-2-10	309294-0-00	309176-3-00	309344-0-00	33	39	100
	310325-5-00	309889-4-00	309874-2-00	309294-0-00	309176-3-00	309344-0-00	41,2	46	112
	310327-5-00	309895-4-00	309880-2-00	309294-0-00	309176-3-00	309344-0-00	47,6	52	124
264-42-4LM-24	310322-5-00	309894-4-01	309879-2-10	309266-0-01	309182-3-00	309366-0-00	31,8	36	94



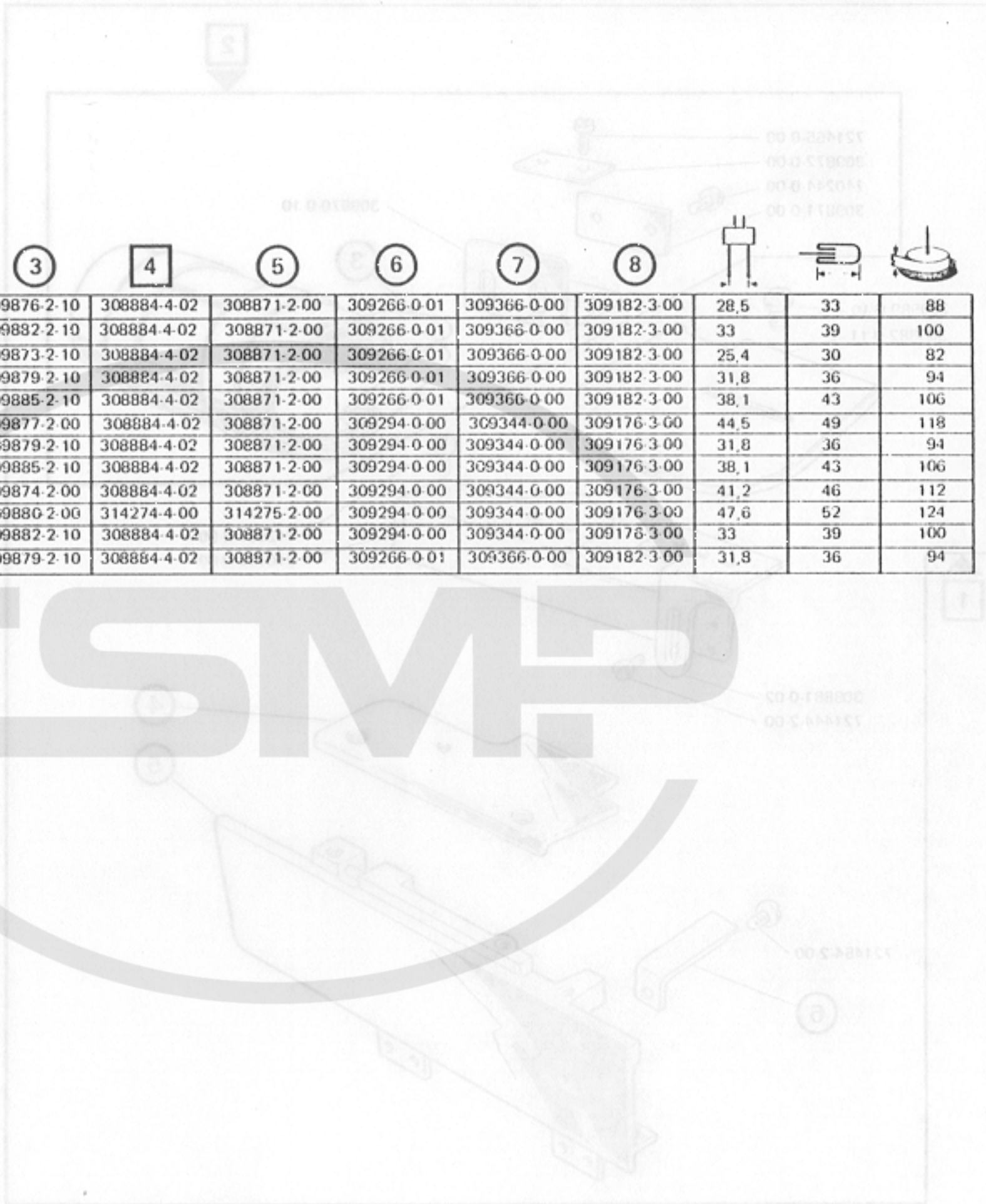
SE VAT
SOLO A RICHIESTA
ONLY ON REQUEST
SEULEMENT SUR DEMANDE

GUIDA LATERALE PER CINTURE
RIGHT ANGLE WAISTBAND FOLDER
GUIDE LATERAL POUR CEINTURES

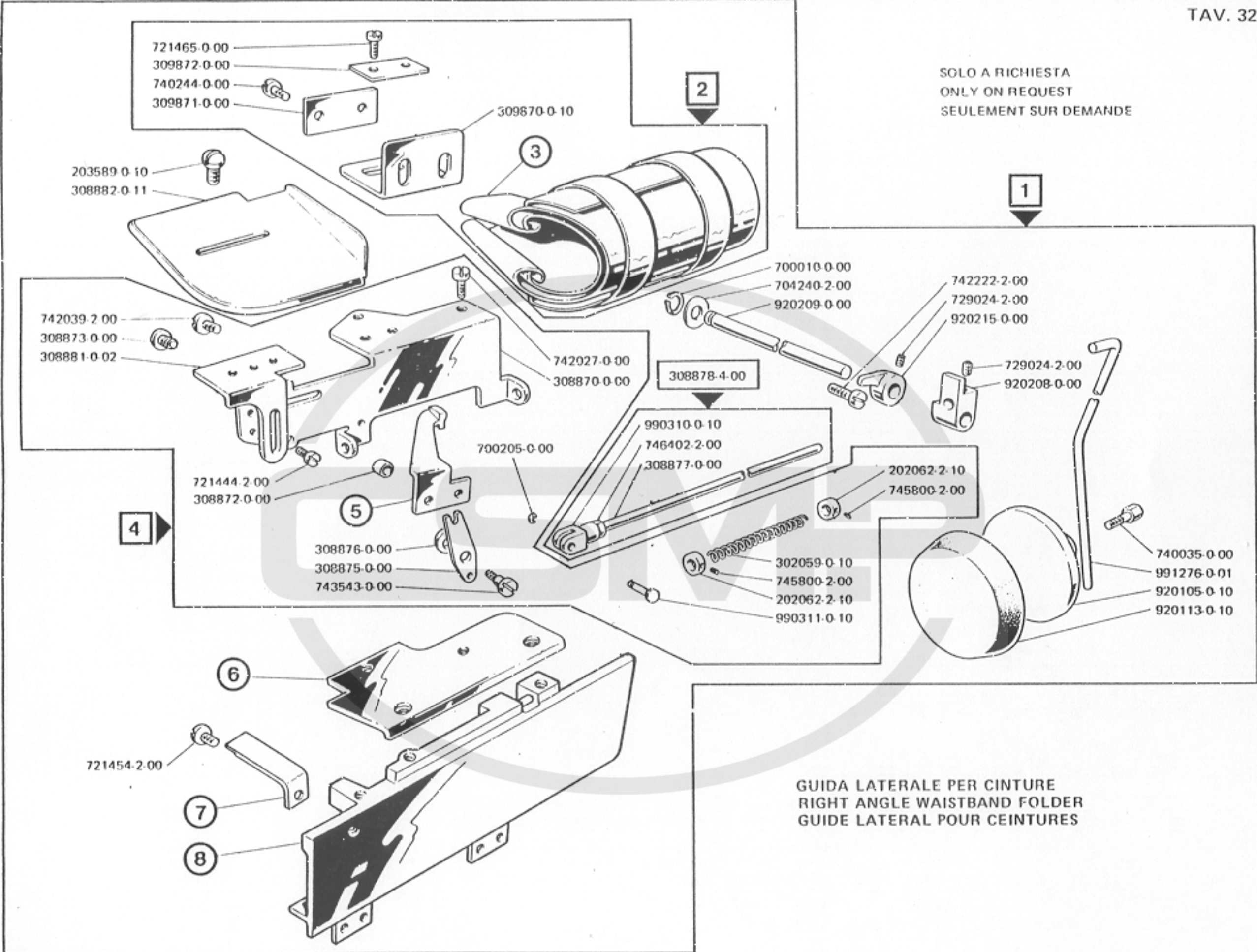
TAV. 32

	1	2	3	4	5	6	7	8			
264-42-2LM-13	309913-5-01	309891-4-01	309876-2-10	308884-4-02	308871-2-00	309266-0-01	309366-0-00	309182-3-00	28,5	33	88
264-42-2LM-15	309915-5-01	309897-4-01	309882-2-10	308884-4-02	308871-2-00	309266-0-01	309366-0-00	309182-3-00	33	39	100
264-42-4LM-16	309912-5-01	309888-4-01	309873-2-10	308884-4-02	308871-2-00	309266-0-01	309366-0-00	309182-3-00	25,4	30	82
	309914-5-01	309894-4-01	309879-2-10	308884-4-02	308871-2-00	309266-0-01	309366-0-00	309182-3-00	31,8	36	94
	309916-5-01	309900-4-01	309885-2-10	308884-4-02	308871-2-00	309266-0-01	309366-0-00	309182-3-00	38,1	43	106
264-42-4LM-17	311762-5-00	309892-4-00	309877-2-00	308884-4-02	308871-2-00	309294-0-00	309344-0-00	309176-3-00	44,5	49	118
	311764-5-00	309894-4-01	309879-2-10	308884-4-02	308871-2-00	309294-0-00	309344-0-00	309176-3-00	31,8	36	94
	311766-5-00	309900-4-01	309885-2-10	308884-4-02	308871-2-00	309294-0-00	309344-0-00	309176-3-00	38,1	43	106
264-42-4LM-18	311761-5-00	309889-4-00	309874-2-00	308884-4-02	308871-2-00	309294-0-00	309344-0-00	309176-3-00	41,2	46	112
	311763-5-00	309895-4-00	309880-2-00	314274-4-00	314275-2-00	309294-0-00	309344-0-00	309176-3-00	47,6	52	124
	311765-5-00	309897-4-01	309882-2-10	308884-4-02	308871-2-00	309294-0-00	309344-0-00	309176-3-00	33	39	100
264-42-4LM-24	309914-5-01	309894-4-01	309879-2-10	308884-4-02	308871-2-00	309266-0-01	309366-0-00	309182-3-00	31,8	36	94

CSMP



SOLO A RICHIESTA
 ONLY ON REQUEST
 SEULEMENT SUR DEMANDE



- 721465-0-00
- 309872-0-00
- 740244-0-00
- 309871-0-00

- 203589-0-10
- 308882-0-11

- 742039-2-00
- 308873-0-00
- 308881-0-02

- 721444-2-00
- 308872-0-00

- 308876-0-00
- 308875-0-00
- 743543-0-00

- 721454-2-00

309870-0-10

742027-0-00
 308870-0-00

700205-0-00

308878-4-00

990310-0-10
 746402-2-00
 308877-0-00

700010-0-00
 704240-2-00
 920209-0-00

742222-2-00
 729024-2-00
 920215-0-00

729024-2-00
 920208-0-00

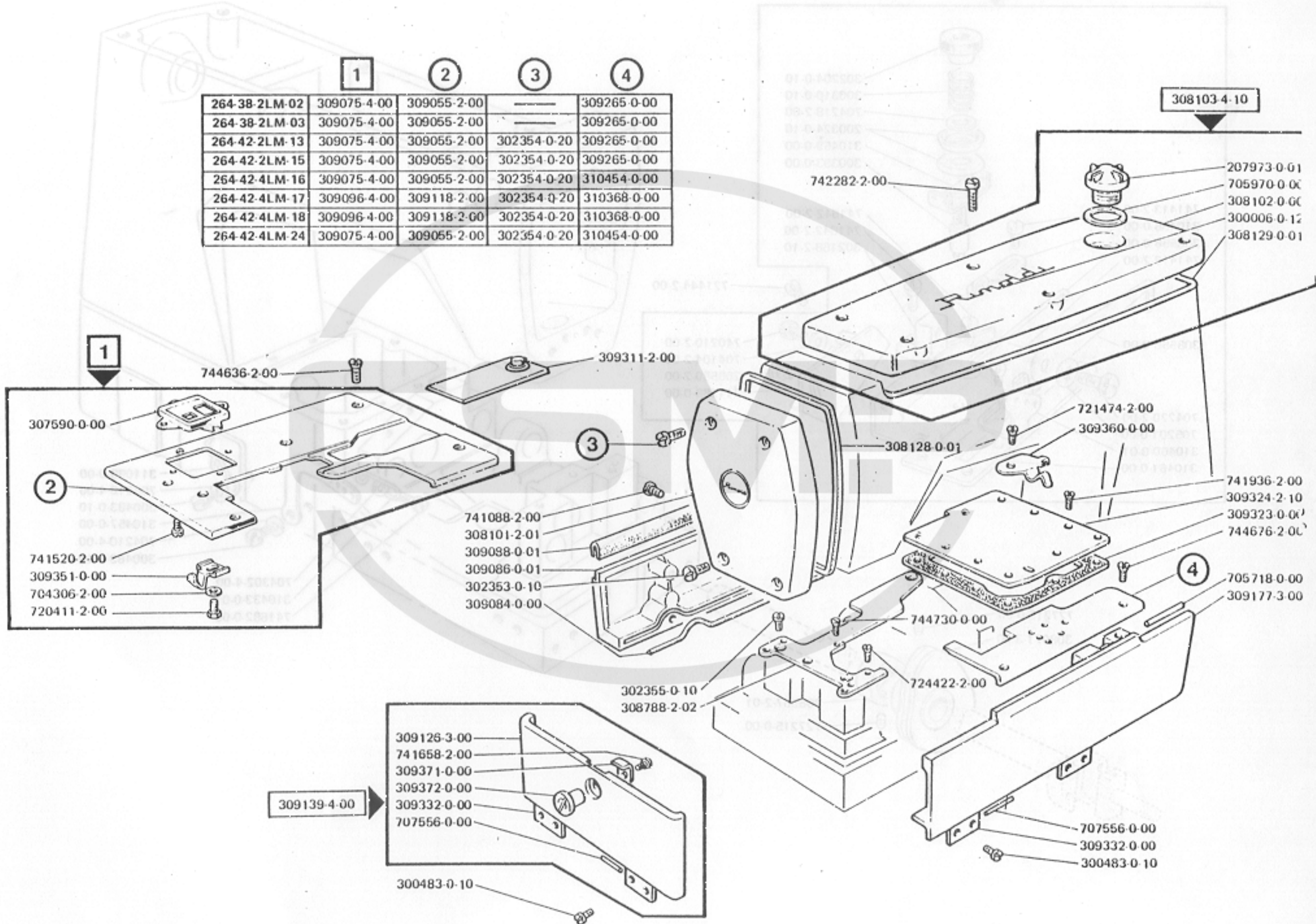
202062-2-10
 745800-2-00

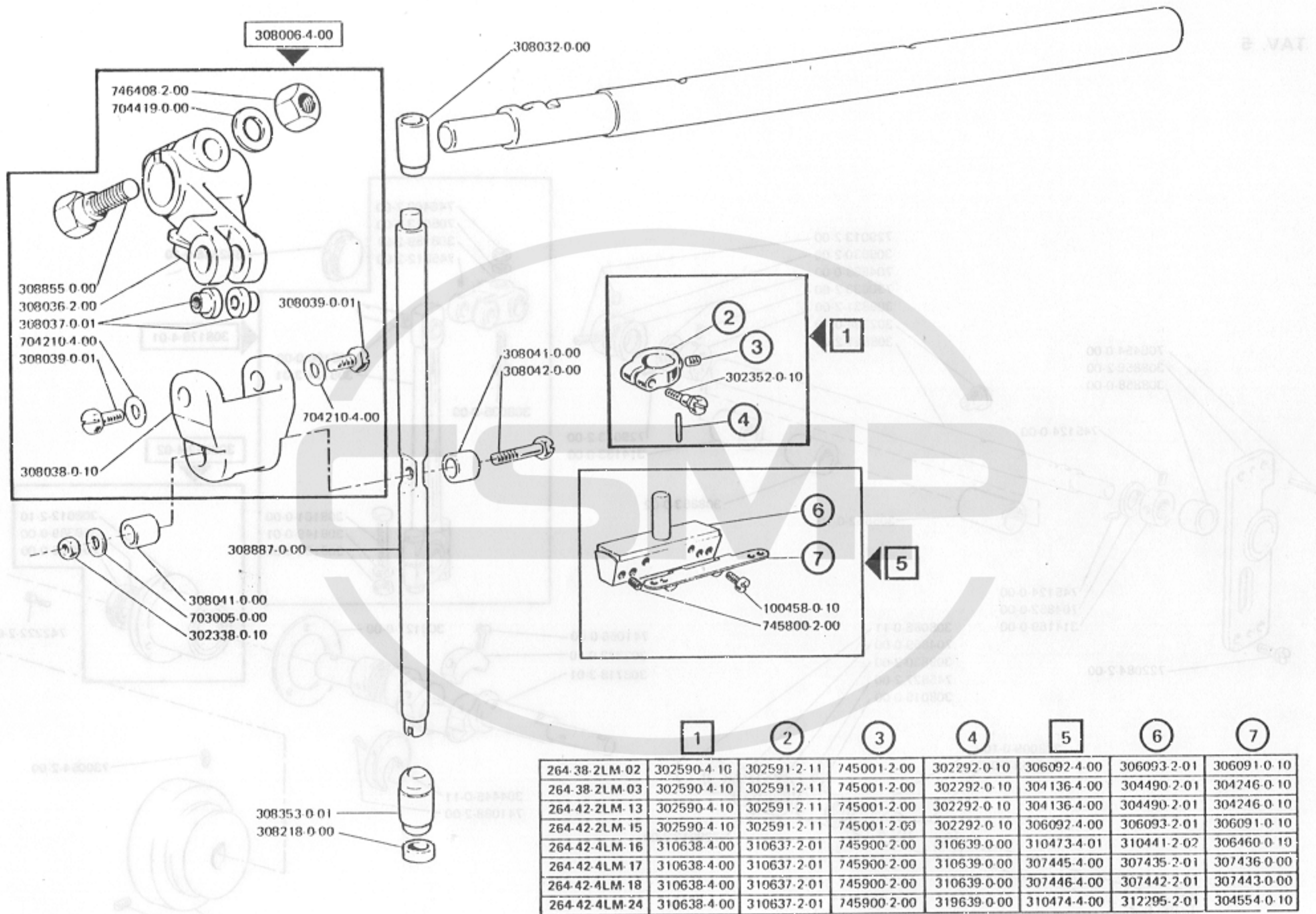
302059-0-10
 745800-2-00
 202062-2-10
 990311-0-10

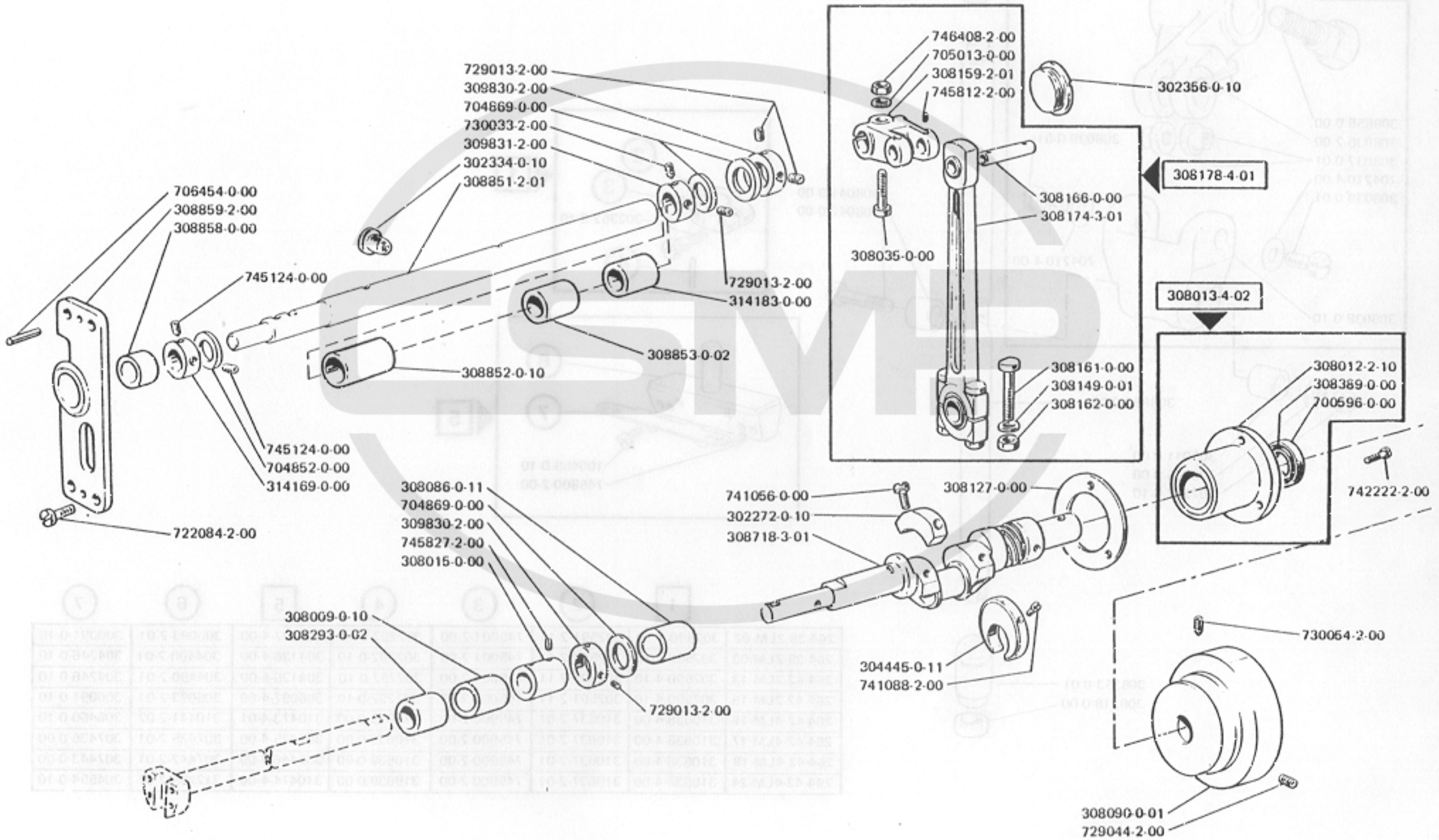
740035-0-00
 991276-0-01
 920105-0-10
 920113-0-10

GUIDA LATERALE PER CINTURE
 RIGHT ANGLE WAISTBAND FOLDER
 GUIDE LATERAL POUR CEINTURES

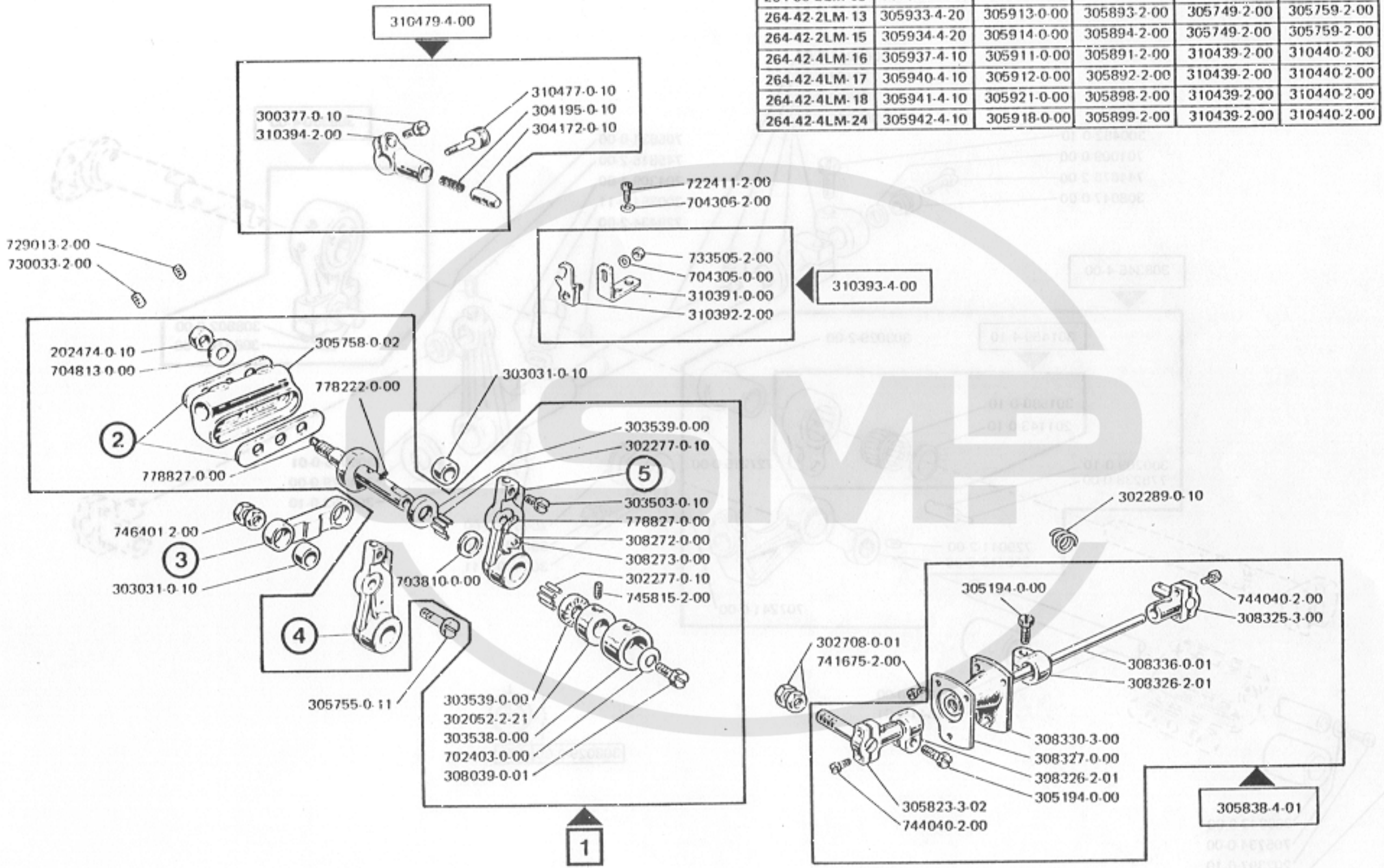
	①	②	③	④
264-38-2LM-02	309075-4-00	309055-2-00	—	309265-0-00
264-38-2LM-03	309075-4-00	309055-2-00	—	309265-0-00
264-42-2LM-13	309075-4-00	309055-2-00	302354-0-20	309265-0-00
264-42-2LM-15	309075-4-00	309055-2-00	302354-0-20	309265-0-00
264-42-4LM-16	309075-4-00	309055-2-00	302354-0-20	310454-0-00
264-42-4LM-17	309096-4-00	309118-2-00	302354-0-20	310368-0-00
264-42-4LM-18	309096-4-00	309118-2-00	302354-0-20	310368-0-00
264-42-4LM-24	309075-4-00	309055-2-00	302354-0-20	310454-0-00





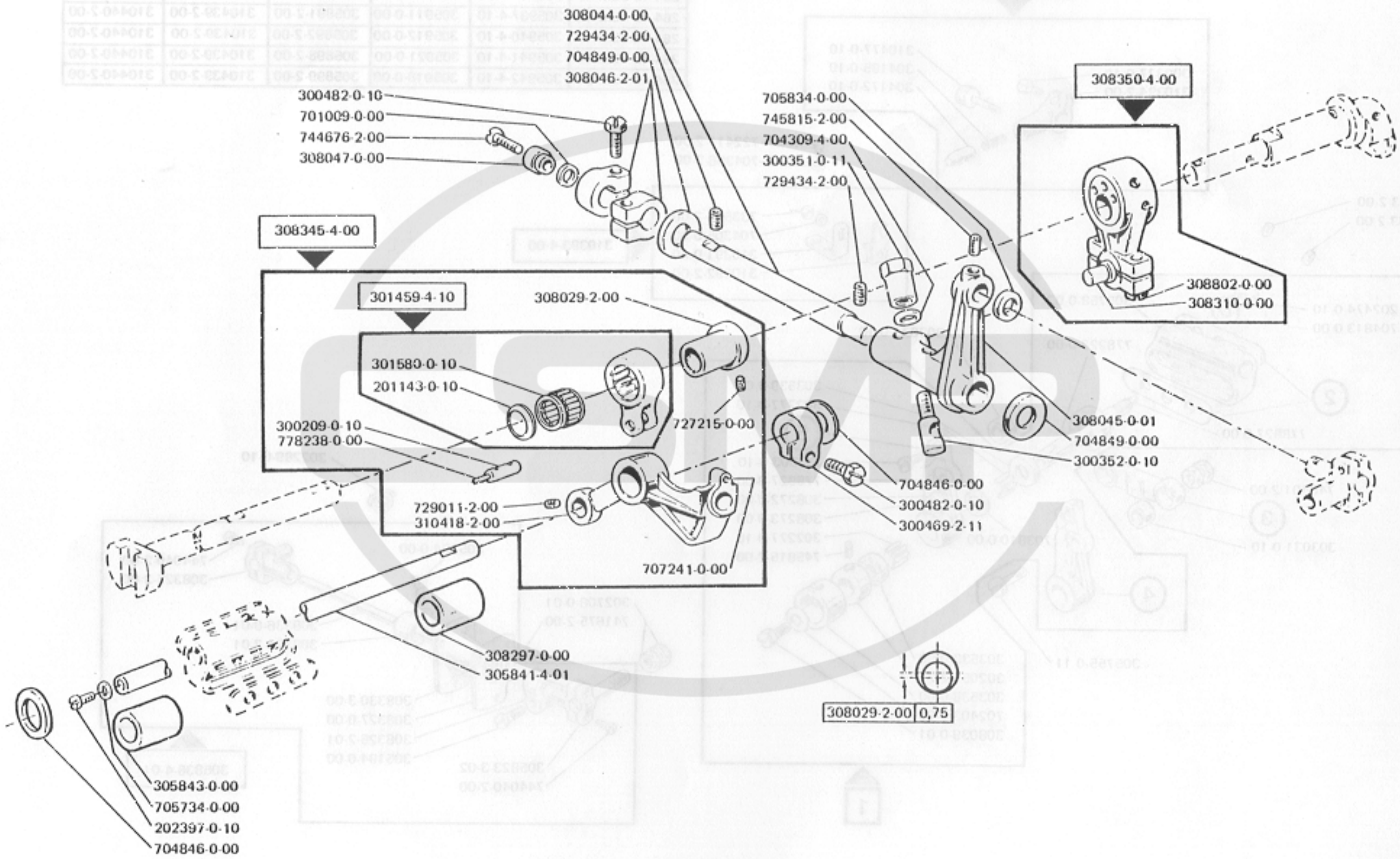


	1	2	3	4	5
264-38-2LM-02	305934-4-20	305914-0-00	305894-2-00	305749-2-00	305759-2-00
264-38-2LM-03	305933-4-20	305913-0-00	305893-2-00	305749-2-00	305759-2-00
264-42-2LM-13	305933-4-20	305913-0-00	305893-2-00	305749-2-00	305759-2-00
264-42-2LM-15	305934-4-20	305914-0-00	305894-2-00	305749-2-00	305759-2-00
264-42-4LM-16	305937-4-10	305911-0-00	305891-2-00	310439-2-00	310440-2-00
264-42-4LM-17	305940-4-10	305912-0-00	305892-2-00	310439-2-00	310440-2-00
264-42-4LM-18	305941-4-10	305921-0-00	305898-2-00	310439-2-00	310440-2-00
264-42-4LM-24	305942-4-10	305918-0-00	305899-2-00	310439-2-00	310440-2-00



TAV. 7

308148-2-00	308148-2-00	308148-2-00	308148-2-00	308148-2-00	308148-2-00
308148-2-00	308148-2-00	308148-2-00	308148-2-00	308148-2-00	308148-2-00
308148-2-00	308148-2-00	308148-2-00	308148-2-00	308148-2-00	308148-2-00
308148-2-00	308148-2-00	308148-2-00	308148-2-00	308148-2-00	308148-2-00
308148-2-00	308148-2-00	308148-2-00	308148-2-00	308148-2-00	308148-2-00
308148-2-00	308148-2-00	308148-2-00	308148-2-00	308148-2-00	308148-2-00
308148-2-00	308148-2-00	308148-2-00	308148-2-00	308148-2-00	308148-2-00
308148-2-00	308148-2-00	308148-2-00	308148-2-00	308148-2-00	308148-2-00
308148-2-00	308148-2-00	308148-2-00	308148-2-00	308148-2-00	308148-2-00
308148-2-00	308148-2-00	308148-2-00	308148-2-00	308148-2-00	308148-2-00



1

264-38-2LM-02	305764-0-00
264-38-2LM-03	305764-0-00
264-42-2LM-13	305764-0-00
264-42-2LM-15	305764-0-00
264-42-4LM-16	310446-0-00
264-42-4LM-17	307444-0-00
264-42-4LM-18	307444-0-00
264-42-4LM-24	312293-0-00

