

**JUKI®**

High-speed Overlock / Safety Stitch Sewing Machine  
**MO-6800S**

**PARTS LIST**

---

**CSMP**

## HOW TO MAKE USE OF THIS PARTS LIST

1.As to "#01" and "#02" refer to the "Note" given at the bottom of the respective pages.

2.Codes on the "Qty" column

- Each numeral indicates the number of parts required.
- "0.1" and "2.5" indicate the length (in meters) of the respective parts.

3.Parentheses mean that the corresponding part is a subpart that constructs an assembly part.

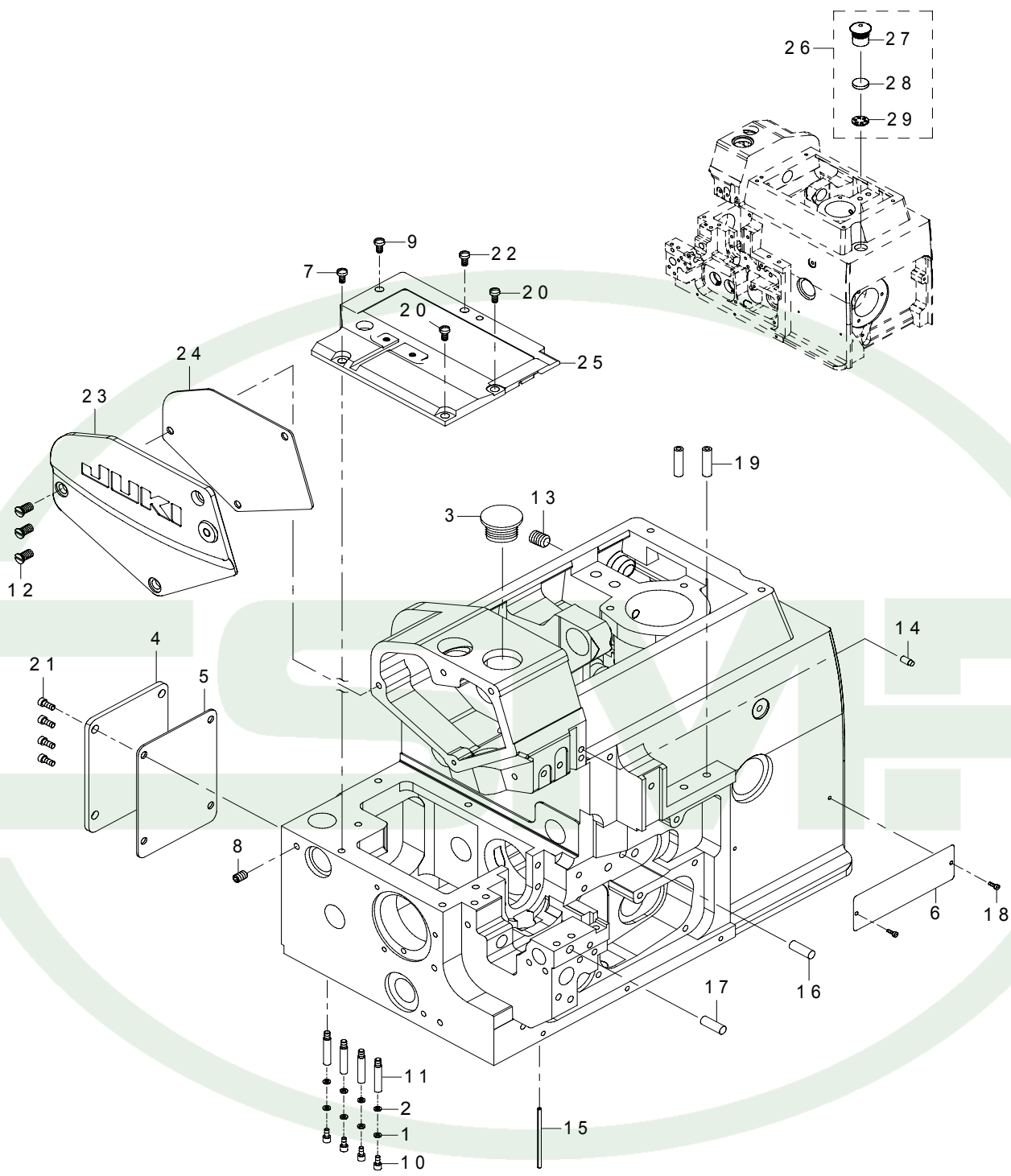
4.Dotted lines on the Figures indicate assembly parts.



# CONTENTS

1. MISCELLANEOUS COVER COMPONENTS (1).....	1
2. MISCELLANEOUS COVER COMPONENTS (2).....	3
3. MISCELLANEOUS COVER COMPONENTS (3).....	5
4. CRANKSHAFT COMPONENTS .....	7
5. NEEDLE DRIVING SHAFT COMPONENTS .....	9
6. THREAD TENSION COMPONENTS.....	11
7. UPPER LOOPER COMPONENTS .....	13
8. LOWER LOOPER COMPONENTS .....	15
9. CHAIN LOOPER COMPONENTS (1).....	17
10. CHAIN LOOPER COMPONENTS (2).....	19
11. FEED MECHANISM COMPONENTS (1).....	21
12. FEED MECHANISM COMPONENTS (2).....	23
13. KNIFE COMPONENTS .....	25
14. PRESSER FOOT COMPONENTS .....	27
15. LUBRICATION MECHANISM COMPONENTS .....	29
16. NEEDLE COOLER UNIT COMPONENTS.....	31
17. THREAD STAND COMPONENTS (FOR MO-6804S) .....	33
18. THREAD STAND COMPONENTS (FOR MO-6814S) .....	35
19. THREAD STAND COMPONENTS (FOR MO-6816S) .....	37
20. THREAD STAND COMPONENTS (FOR MO-6843S) .....	39
21. SEMI-SUNKEN TYPE TABLE COMPONENTS .....	41
22. FULLY-SUNKEN TYPE TABLE COMPONENTS .....	42
23. ACCESSORIES PARTS COMPONENTS.....	43
24. PACKING COMPONENTS .....	44
25. TAPE INSERTION COMPONENTS.....	45
26. MO-6800S GAUGE TABLE.....	46
NUMERICAL INDEX OF PARTS.....	47

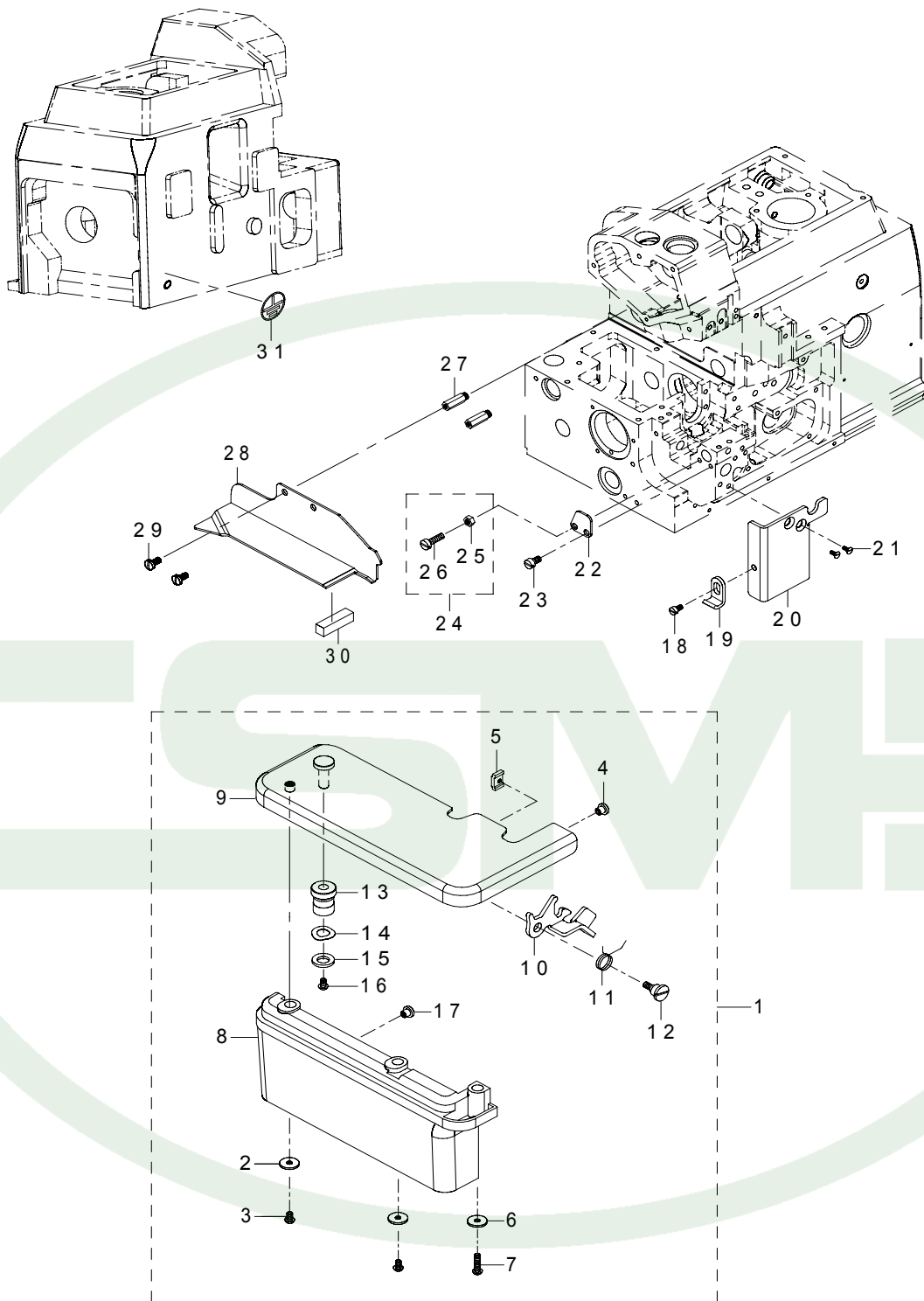
# 1. MISCELLANEOUS COVER COMPONENTS (1)



REF.NO	NOTE	PART NO	DESCRIPTION	Qty
1		700-00363	WASHER	4
2		700-00365	WASHER	4
3		401-59534	RUBBER PLUG	1
4		700-00442	COVER	1
5		700-00443	METAL FOAM GASKET	1
6		*****	NAME PLATE	1
7		700-00515	E_SCREW	1
8		700-00522	E_SCREW	1
9		700-00529	E_SCREW	1
10		700-00543	E_SCREW	4
11		700-00544	E_SCREW	4
12		700-00550	E_SCREW	3
13		700-00586	M_SCREW	1
14		700-00659	PIN	1
15		700-00670	PIN	1
16		700-00671	PIN	1
17		700-00672	PIN	1
18		700-00753	RIVET	2
19		700-00754	DUCT	2
20		700-00515	E_SCREW	2
21		700-00515	E_SCREW	4
22		700-00529	E_SCREW	1
23		401-59531	SIDE COVER	1
24		401-59532	METAL FOAM GASKET	1
25		401-59533	COVER	1
26		401-59537	RUBBER PLUG COMB.	1
27		401-59538	RUBBER PLUG	(1)
28		401-59539	FELT	(1)
29		401-59540	RUBBER PLUG COVER	(1)



## 2. MISCELLANEOUS COVER COMPONENTS (2)

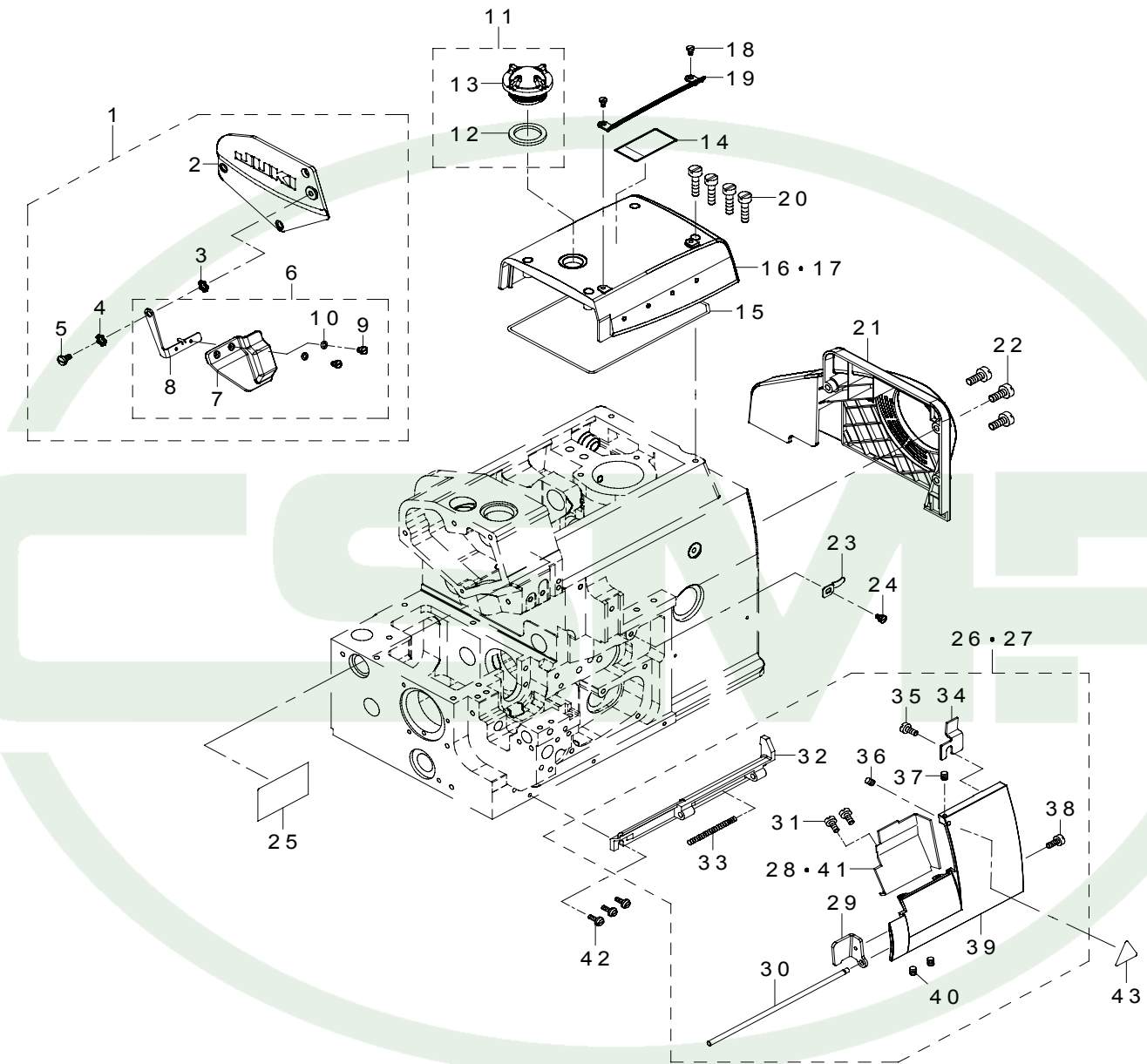


REF.NO	NOTE	PART NO	DESCRIPTION	Qty
1		401-59557	FABRIC PLATE COVER COMB.	1
2		700-00368	WASHER	(2)
3		700-00574	M_SCREW	(2)
4		700-00490	RUBBER PLUG	(1)
5		700-00334	FIXED SEAT	(1)
6		401-59562	WASHER	(1)
7		401-59563	M_SCREW	(1)
8		401-59556	SIDE COVER	(1)
9		401-59555	FABRIC PLATE COVER	(1)
10		401-59564	LEVER	(1)
11		401-59565	SPRING	(1)
12		700-00528	E_SCREW	(1)
13		401-59558	BUSHING	(1)
14		401-59559	WASHER	(1)
15		401-59560	WASHER	(1)
16		700-00577	M_SCREW	(1)
17		401-59561	RUBBER PLUG	(1)
18		401-59552	M_SCREW	1
19		401-59553	GUIDE PLATE	1
20		401-59554	OILER COVER	1
21		700-00516	E_SCREW	2
22		700-00404	FIXED PLATE	1
23		700-00518	E_SCREW	1
24		700-00453	NUT	1
25		700-00452	NUT	(1)
26		700-00563	E_SCREW	(1)
27		700-00494	SCREW	2
28		700-00493	FABRIC GUIDE	1
29		700-00515	E_SCREW	2
30		700-00755	SPONGY CUSHION	1
31		401-59551	LABEL_(GROUND_MARK)	1



### 3. MISCELLANEOUS COVER COMPONENTS (3)

MODEL	04S/14S	16S/43S
PARTS NO	28	41
	26	27

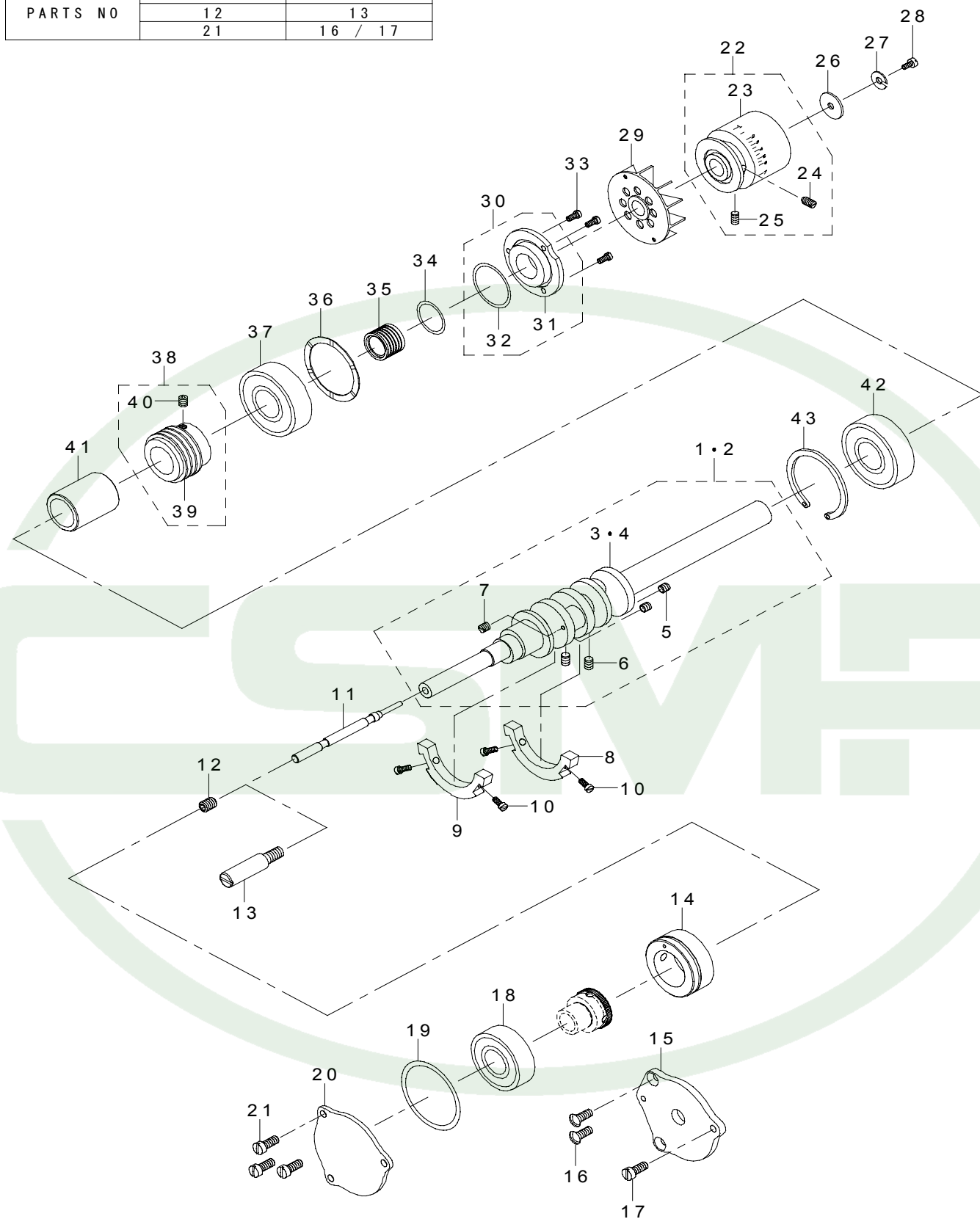




REF.NO	NOTE	PART NO	DESCRIPTION	Qty
1		401-59571	SIDE COVER	1
2		401-59531	SIDE COVER	(1)
3		401-59572	WASHER	(1)
4		401-59572	WASHER	(1)
5		401-59573	M_SCREW	(1)
6		401-59577	SAFETY PLATE COMB.	(1)
7		401-59575	SAFETY PLATE	(1)
8		401-59574	SAFETY PLATE BRACKET	(1)
9		700-00908	M_SCREW	(2)
10		401-59576	WASHER	(2)
11		401-59579	OIL LEVEL INSPECTION LENS COMB.	1
12		700-00136	GASKET	(1)
13		401-59578	OIL LEVEL INSPECTION LENS	(1)
14		700-00161	LABEL	1
15		700-00222	O-RING	1
16		401-59582	TOP COVER	1
17	#01	401-59583	TOP COVER (43 SIZE)	1
18		401-59580	E_SCREW	2
19		401-59581	THREAD GUIDE PLATE	1
20		700-00563	E_SCREW	4
21		401-59584	MOTOR COVER	1
22		700-00520	E_SCREW	3
23		700-00745	GUIDE PLATE	1
24		700-00555	E_SCREW	1
25		*****	EMBLEM	1
26	#02	401-59585	FRONT COVER COMB.	1
27	#03	401-59593	FRONT COVER COMB.	1
28	#02	700-00481	FRONT COVER	(1)
29		700-00660	PIN	(1)
30		401-59590	SHAFT	(1)
31		700-00577	M_SCREW	(2)
32		401-59586	FIXED SEAT	(1)
33		401-59587	SPRING	(1)
34		700-00744	RETAINING CLIP	(1)
35		700-00577	M_SCREW	(1)
36		700-00570	M_SCREW	(1)
37		700-00569	M_SCREW	(1)
38		401-59591	E_SCREW	(1)
39		401-59592	FRONT COVER	(1)
40		700-00573	M_SCREW	(2)
41	#03	700-00820	FRONT COVER	1
42		401-59589	E_SCREW	3
43		700-00736	LABEL	1
		NOTE	#01....FOR 43S #02....FOR 04S,14S #03....FOR 16S,43S	

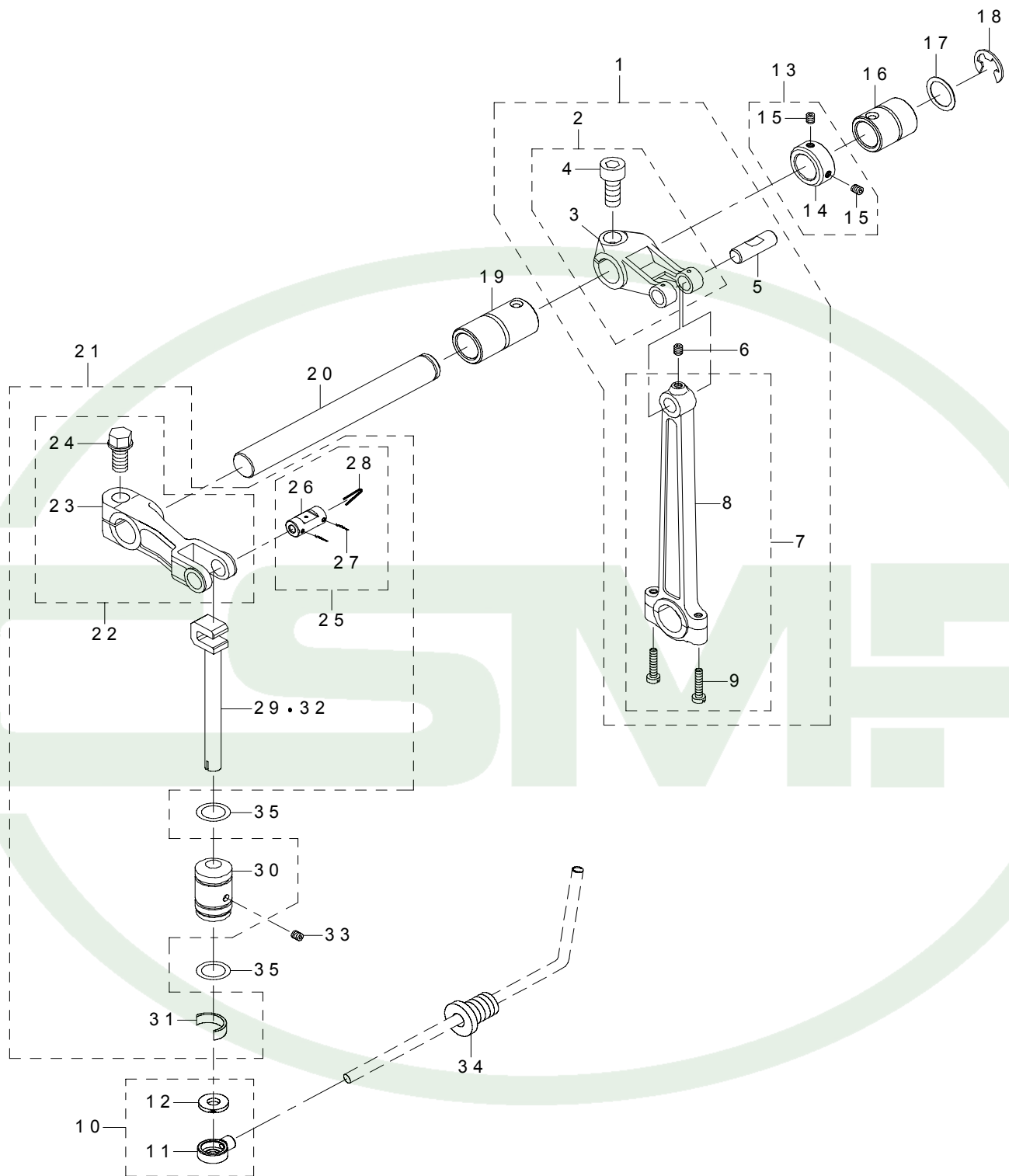
#### 4. CRANKSHAFT COMPONENTS

MODEL	04S/14S	16S/43S
PARTS NO	20	15
	12	13
	21	16 / 17



REF.NO	NOTE	PART NO	DESCRIPTION	Qty
1		401-59606	MAIN SHAFT COMB.	1
2	#01	401-59607	MAIN SHAFT COMB. (HIGH TYPE)	1
3		401-59604	MAIN SHAFT	(1)
4	#01	401-59605	MAIN SHAFT (HIGH TYPE)	(1)
5		700-00565	E_SCREW	(2)
6		700-00564	E_SCREW	(2)
7		700-00565	E_SCREW	(1)
8		700-00619	BALANCE BLOCK	1
9		700-00620	BALANCE BLOCK	1
10		700-00535	E_SCREW	4
11		700-00737	SHAFT	1
12	#02	401-59608	M_SCREW	1
13	#03	700-00460	FASTENER PIN	1
14		700-00130	BUSHING	1
15	#03	700-00701	BEARING COVER	1
16	#03	700-00554	E_SCREW	2
17	#03	700-00562	E_SCREW	1
18		700-00694	BEARING	1
19		700-00145	O-RING	1
20	#02	700-00700	BEARING COVER	1
21	#02	700-00508	E_SCREW	3
22		401-59602	HAND WHEEL COMB.	1
23		401-59601	HAND WHEEL	(1)
24		700-00536	E_SCREW	(1)
25		700-00546	E_SCREW	(1)
26		700-00341	GASKET	1
27		700-00612	WASHER	1
28		401-59603	M_SCREW	1
29		700-00750	FAN BLADE	1
30		700-00431	SIDE COVER COMB.	1
31		700-00430	SIDE COVER	(1)
32		700-00145	O-RING	(1)
33		700-00521	E_SCREW	3
34		700-00143	O-RING	1
35		700-00149	WORM WHEEL	1
36		700-00699	WASHER	1
37		700-00695	BEARING	1
38		700-00259	WORM WHEEL	1
39		700-00257	WORM WHEEL	(1)
40		700-00522	E_SCREW	(1)
41		700-00314	SHAFT	1
42		700-00696	BEARING	1
43		700-00449	STOP RING	1
	NOTE		#01....FOR 14S-40H,14S-44H,16S-50H #02....FOR 04S,14S #03....FOR 16S,43S	

## 5. NEEDLE DRIVING SHAFT COMPONENTS

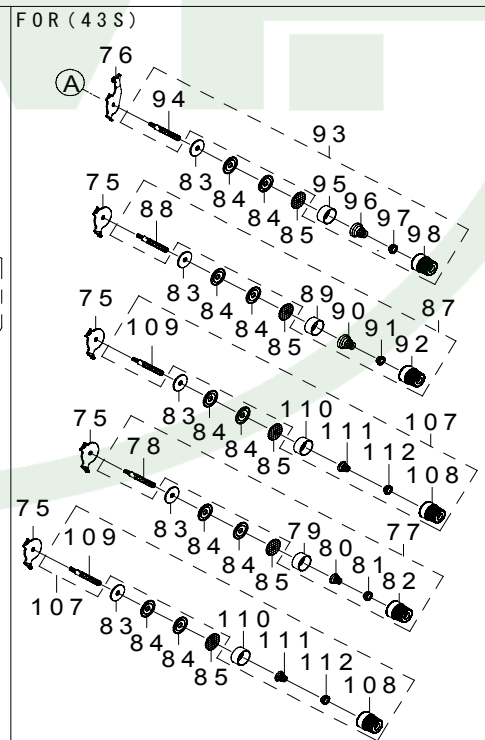
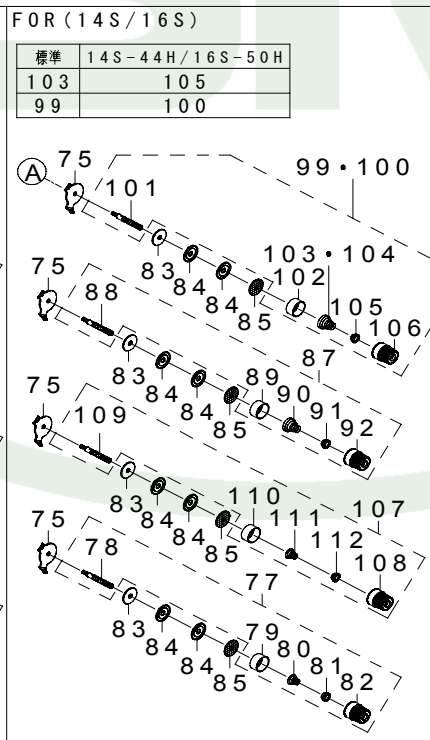
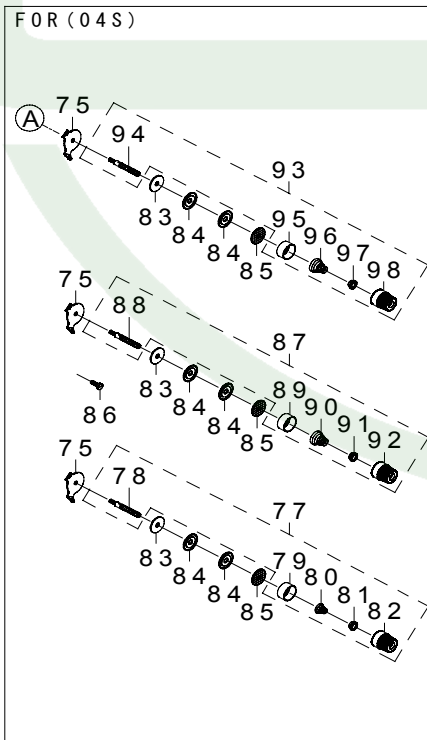
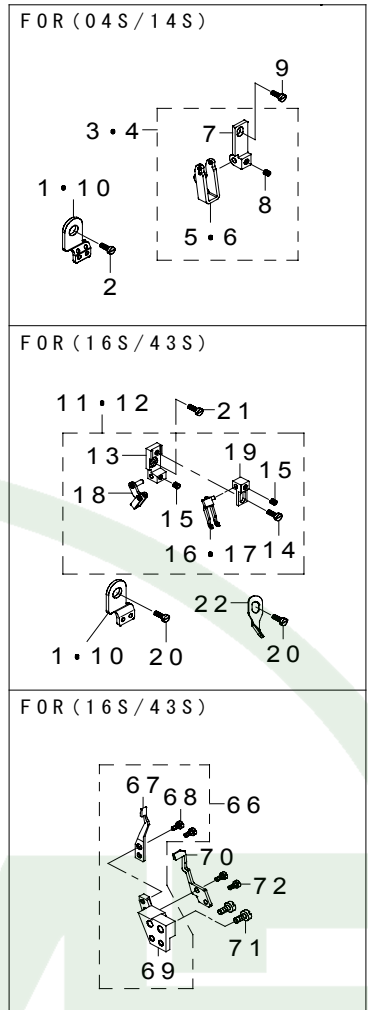
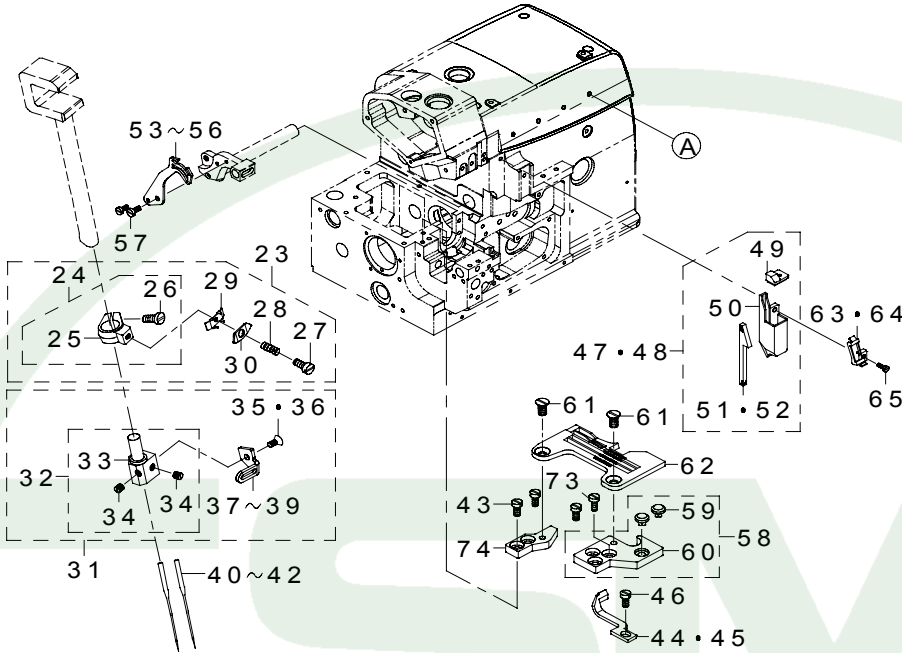


REF.NO	NOTE	PART NO	DESCRIPTION	Qty
1		401-59615	SHAFT COMB.	1
2		700-00643	SHAFT	(1)
3		700-00640	NEEDLE BAR ROCKER	(1)
4		700-00588	M_SCREW	(1)
5		700-00646	PIN	(1)
6		700-00522	E_SCREW	(1)
7		401-59618	CONNECTING ROD COMB.	(1)
8		401-59617	CONNECTING ROD	(1)
9		700-00578	M_SCREW	(2)
10		700-00267	OIL FELT	1
11		700-00266	PLUG	(1)
12		700-00677	OIL FELT	(1)
13		700-00437	COLLAR	1
14		700-00432	COLLAR	(1)
15		700-00522	E_SCREW	(2)
16		700-00637	BUSHING	1
17		700-00362	WASHER	1
18		700-00134	E_CIRCLIPS	1
19		700-00639	BUSHING	1
20		700-00635	ARBOR	1
21		401-59619	NEEDLE BAR COMB.	1
22		700-00633	CONNECTING ROD COMB.	(1)
23		700-00632	CONNECTING ROD	(1)
24		700-00593	M_SCREW	(1)
25		700-00638	SHAFT COMB.	(1)
26		700-00636	SHAFT	(1)
27		700-00728	OIL YARN	(2)
28		700-00729	OIL WICK	(1)
29		700-00654	NEEDLE BAR	(1)
30		401-59620	BUSHING	(1)
31		700-00676	OIL FELT	(1)
32	#01	401-59658	NEEDLE BAR (44H)	(1)
33		700-00503	E_SCREW	1
34		700-00445	PLUG	1
35		700-00141	O-RING	2
	NOTE		#01....FOR 14S-44H	



## 6. THREAD TENSION COMPONENTS

MODEL	04S	14S	16S	43S
PARTS NO	10	1	10	1
	5	6	16	17
	54	53	55	56
	51	51	52	52
	63	63	64	64
	44	44	45	45
	38	37	39	39
	8	8	15	15
	2	2	20	20
	9	9	21	21
			14	14
	35	35	36	36
	3	4	11	12
	47	47	48	48

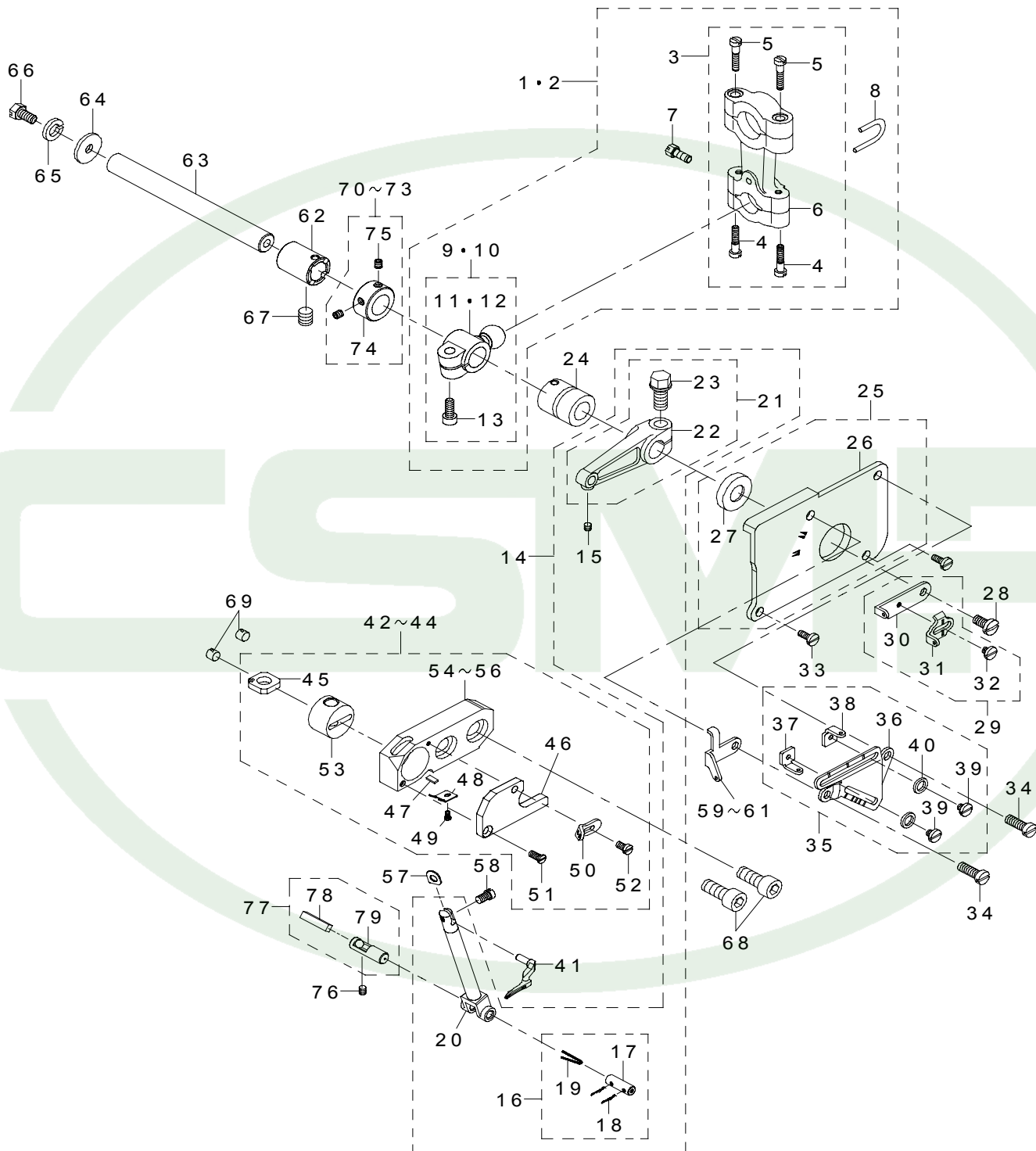


REF.NO	NOTE	PART NO	DESCRIPTION	Qty
1	#09	401-59645	THREAD GUIDE PLATE	1
2	#06	700-00513	E_SCREW	1
3	#02	700-00173	FIXED PLATE COMB.	1
4	#03	700-00832	FIXED PLATE COMB.	1
5	#02	700-00822	THREAD GUIDE PLATE	(1)
6	#03	401-59650	THREAD GUIDE PLATE	(1)
7		700-00164	FIXED PLATE	(1)
8	#06	700-00498	E_SCREW	(1)
9	#06	700-00549	E_SCREW	1
10	#07	401-59646	THREAD GUIDE PLATE	1
11	#04	700-00174	FIXED PLATE COMB.	1
12	#05	700-00833	FIXED SEAT COMB.	1
13		700-00171	FIXED SEAT	(1)
14	#08	700-00559	E_SCREW	(1)
15	#08	700-00498	E_SCREW	(2)
16	#04	401-59647	THREAD GUIDE PLATE	(1)
17	#05	401-59651	THREAD GUIDE PLATE	(1)
18		401-59648	THREAD GUIDE PLATE	(1)
19		700-00169	FIXED BLOCK	(1)
20	#08	700-00513	E_SCREW	2
21		700-00555	E_SCREW	1
22	#08	700-00168	THREAD GUIDE PLATE	1
23		700-00629	CATCHER	1
24		700-00653	CRAMP	(1)
25		700-00652	CRAMP	(1)
26		700-00572	M_SCREW	(1)
27		401-59629	M_SCREW	(1)
28		700-00598	SPRING	(1)
29		700-00626	THREAD GRIP	(1)
30		700-00627	THREAD GRIP	(1)
31	#01	*****	NEEDLE CLAMP	1
32	#01	*****	NEEDLE CLAMP	(1)
33	#01	*****	NEEDLE CLAMP	(1)
34		700-00498	E_SCREW	(2)
35	#06	700-00567	M_SCREW	(1)
36	#08	700-00831	M_SCREW	(1)
37	#03	700-00628	THREAD CROSSING	(1)
38	#02	700-00828	THREAD CROSSING	(1)
39	#08	700-00829	THREAD CROSSING	(1)
40	#01	*****	NEEDLE	2
41	#01	*****	NEEDLE	1
42	#01	*****	NEEDLE	3
43		700-00550	E_SCREW	2
44	#06	700-00469	NEEDLE GUARD	1
45	#08	700-00827	NEEDLE GUARD	1
46		700-00555	E_SCREW	1
47	#06	700-00887	OILER	1
48	#08	401-59652	OILER	1
49		700-00849	OILER COVER	(1)
50		700-00847	OILER	(1)
51	#06	700-00848	OIL FELT	(1)
52	#08	700-00885	OIL FELT	(1)
53	#03	401-59630	THREAD TAKE-UP LEVER	1
54	#02	401-59653	THREAD TAKE-UP LEVER	1
55	#04	401-59654	THREAD TAKE-UP LEVER	1
56	#05	401-59655	THREAD TAKE-UP LEVER	1
57		700-00505	E_SCREW	2
58		401-59628	NEEDLE PLATE BRACKET COMB.	1
59		700-00704	RUBBER PLUG	(2)
60		401-59626	THROAT PLATE BASE B	(1)
61		700-00516	E_SCREW	2
62	#01	*****	THROAT PLATE	1
63	#06	700-00850	THREAD GUIDE PLATE	1
64	#08	401-59649	THREAD GUIDE PLATE	1
65		401-59625	E_SCREW	1
66		700-00337	FIXED SEAT COMB.	1
67		700-00336	NEEDLE GUARD	(1)
68		700-00497	E_SCREW	(2)
69		700-00630	NEEDLE GUARD	(1)
70		700-00335	NEEDLE GUARD	1
71		700-00526	E_SCREW	2
72		700-00497	E_SCREW	2
73		700-00550	E_SCREW	2
74		401-59627	THROAT PLATE BASE A	1
75		401-59631	THREAD GUIDE PLATE	11
76		401-59644	THREAD GUIDE PLATE	1
77		401-59640	THREAD TENSION COMB.	3
78		401-59632	THREAD TENSION SHAFT	(1)
79		401-59634	SLEEVE	(1)
80		700-00211	SPRING	(1)
81		401-59636	FIXED RING	(1)
82		401-59639	THREAD TENSION KNOB.	(1)
83		401-59633	THREAD TENSION RUBBER WASHER	12
84		700-00203	THREAD GRIP	24
85		700-00213	OIL FELT	12
86		700-00513	E_SCREW	1
87		401-59641	THREAD TENSION COMB.	3
88		401-59632	THREAD TENSION SHAFT	(1)
89		401-59634	SLEEVE	(1)
90		401-59635	SPRING	(1)
91		401-59636	FIXED RING	(1)
92		401-59639	THREAD TENSION KNOB.	(1)
93		401-59642	THREAD TENSION COMB.	2
94		401-59632	THREAD TENSION SHAFT	(1)
95		401-59634	SLEEVE	(1)
96		401-59635	SPRING	(1)
97		401-59636	FIXED RING	(1)
98		401-59639	THREAD TENSION KNOB.	(1)
99		401-59642	THREAD TENSION COMB.	1
100	#10	401-59656	THREAD TENSION COMB.	1
101		401-59632	THREAD TENSION SHAFT	(1)
102		401-59634	SLEEVE	(1)
103		401-59635	SPRING	(1)
104		401-59657	SPRING	(1)
105	#10	401-59636	FIXED RING	(1)
106		401-59639	THREAD TENSION KNOB.	(1)
107		401-59643	THREAD TENSION COMB.	3
108		401-59639	THREAD TENSION KNOB.	(1)
109		401-59632	THREAD TENSION SHAFT	(1)
110		401-59634	SLEEVE	(1)
111		700-00211	SPRING	(1)
112		401-59636	FIXED RING	(1)

NOTE  
#01....REFER "MO-6800S GAUGE TABLE"  
#02....FOR 04S  
#03....FOR 14S  
#04....FOR 16S  
#05....FOR 43S  
#06....FOR 04S,14S  
#07....FOR 04S,16S  
#08....FOR 16S,43S  
#09....FOR 14S,43S  
#10....FOR 14S-44H,16S-50H

## 7. UPPER LOOPER COMPONENTS

MODEL	04S/16S	14S/43S	14S-44H	16S-50H
PARTS NO	73	72	70	71 + 72
	12	11	11	12
	10	9	9	10
	2	1	1	2
	54	55	56	54
	42	43	44	42
		59	60	61





REF.NO	NOTE	PART NO	DESCRIPTION	Qty
1	#07	700-00252	BALL CONNECTING ROD COMB.	1
2	#08	700-00835	BALL CONNECTING ROD COMB.	1
3		700-00256	CONNECTING ROD	(1)
4		700-00539	E_SCREW	(2)
5		700-00539	E_SCREW	(2)
6		700-00255	BALL CONNECTING ROD	(1)
7		700-00545	E_SCREW	(1)
8		401-59684	FIXED JAW	(1)
9	#07	700-00254	BALL CONNECTING ROD COMB.	(1)
10	#08	401-59678	BALL CONNECTING ROD COMB.	(1)
11	#07	700-00253	BALL CONNECTING ROD	(1)
12	#08	700-00834	BALL CONNECTING ROD	(1)
13		700-00590	M_SCREW	(1)
14		700-00250	LOOPER CONNECTING ROD COMB.	1
15		700-00498	E_SCREW	(1)
16		700-00251	LOOPER CONNECTING ROD PIN COMB.	(1)
17		700-00661	PIN	(1)
18		700-00728	OIL YARN	(2)
19		700-00729	OIL WICK	(1)
20		700-00249	LOOPER CONNECTING ROD	(1)
21		700-00240	CONNECTING ROD COMB.	(1)
22		700-00239	CONNECTING ROD	(1)
23		700-00593	M_SCREW	(1)
24		700-00248	BUSHING	1
25		700-00749	COVER	1
26		700-00748	COVER	(1)
27		700-00268	OIL SEAL	(1)
28		700-00515	E_SCREW	1
29		700-00202	THREAD CROSSING COMB.	1
30		700-00197	THREAD CROSSING	(1)
31		700-00198	THREAD CROSSING	(1)
32		700-00501	E_SCREW	(1)
33		700-00521	E_SCREW	2
34		700-00521	E_SCREW	2
35		700-00201	GRADUATED PLATE COMB.	1
36		700-00194	FIXED PLATE	(1)
37		700-00200	THREAD CROSSING	(1)
38		700-00195	THREAD CROSSING	(1)
39		700-00501	E_SCREW	(2)
40		700-00350	WASHER	(2)
41	#09	*****	LOOPER	1
42	#08	401-59675	CONNECTING ROD SEAT COMB.	1
43	#02	401-59681	CONNECTING ROD SEAT COMB.	1
44	#03	401-59682	CONNECTING ROD SEAT COMB.	1
45		700-00678	OIL WICK	(1)
46		700-00243	FIXED PLATE	(1)
47		401-59671	OIL FELT	(1)
48		401-59672	FELT COVER	(1)
49		700-00538	E_SCREW	(1)
50		700-00193	THREAD CROSSING	(1)
51		700-00560	E_SCREW	(1)
52		401-59674	E_SCREW	(1)
53		700-00241	LOOPER GUIDE SHAFT	(1)
54	#08	401-59673	CONNECTING ROD SEAT	(1)
55	#02	401-59679	CONNECTING ROD SEAT	(1)
56	#03	401-59680	CONNECTING ROD SEAT	(1)
57		401-59670	WASHER	1
58		700-00504	E_SCREW	1
59	#05	700-00196	THREAD CROSSING	1
60	#03	700-00812	THREAD GUIDE	1
61	#04	401-59683	THREAD GUIDE	1
62		700-00247	BUSHING	1
63		700-00246	ARBOR COMB.	1
64		700-00342	GASKET	1
65		700-00613	WASHER	1
66		700-00517	E_SCREW	1
67		700-00522	E_SCREW	1
68		700-00587	M_SCREW	2
69		700-00679	OIL WICK	2
70	#03	401-59666	COLLAR	1
71	#04	700-00807	COLLAR	1
72	#06	401-59676	COLLAR	1
73	#01	401-59677	COLLAR	1
74		401-59665	COLLAR	(1)
75		700-00522	E_SCREW	(2)
76		700-00522	E_SCREW	1
77		401-59669	OIL TUBE	1
78		401-59668	OIL WICK	(1)
79		401-59667	OIL TUBE	(1)

NOTE

- #01....FOR 04S,16S
- #02....FOR 14S,43S
- #03....FOR 14S-44H
- #04....FOR 16S-50H
- #05....FOR 04S,14S,16S,43S
- #06....FOR 14S,43S,16S-50H
- #07....FOR 14S,43S,14S-44H
- #08....FOR 04S,16S,16S-50H
- #09....REFER "MO-6800S GAUGE TABLE"

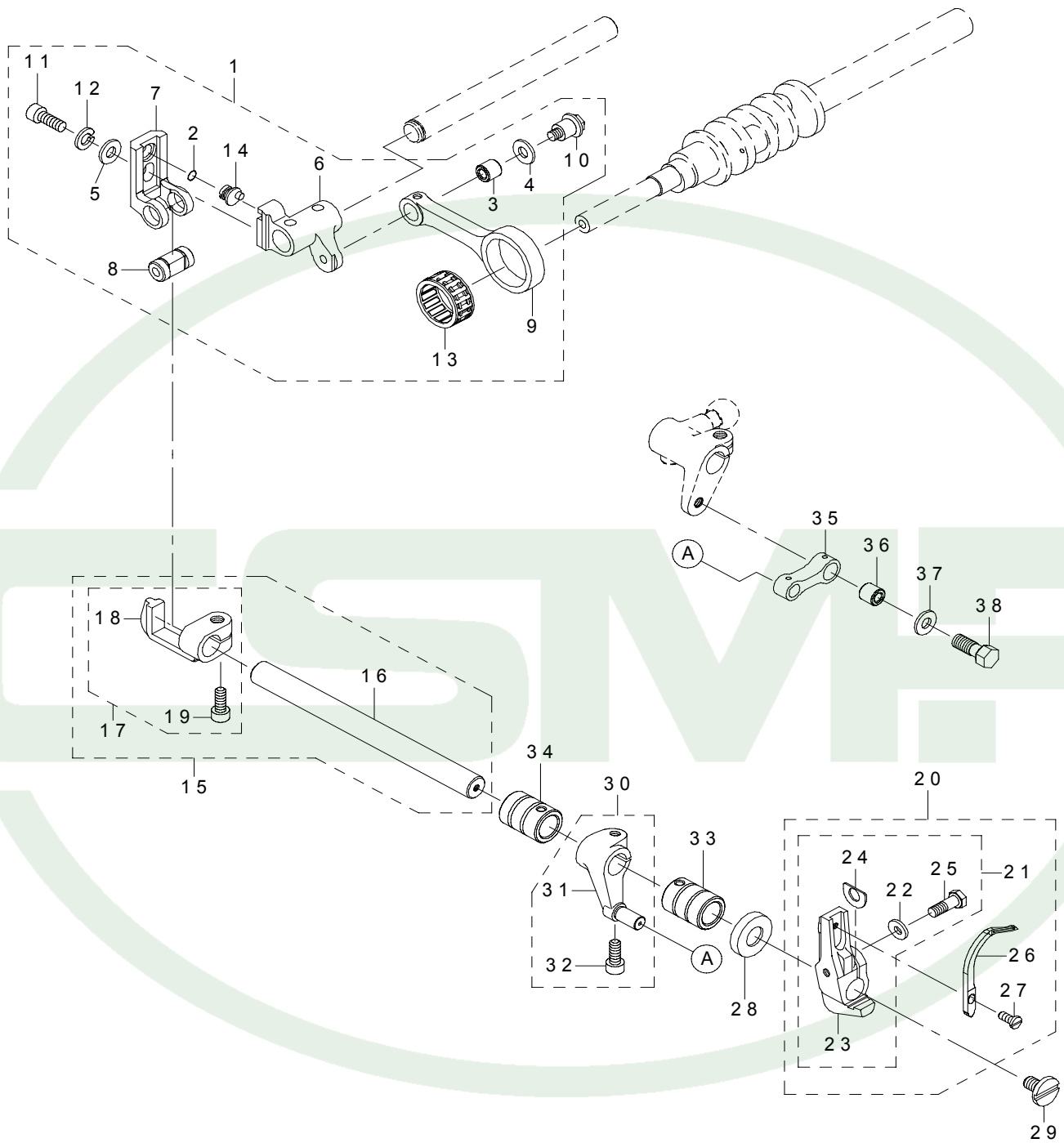


REF.NO	NOTE	PART NO	DESCRIPTION	Qty
1	#04	401-59692	LOOPER HOLDER COMB.	1
2	#03	401-59694	LOOPER HOLDER COMB.	1
3		401-59691	LOOPER HOLDER	(1)
4		700-00406	LOOPER HOLDER	(1)
5		700-00667	PIN	(1)
6		700-00380	GASKET	(1)
7		700-00531	E_SCREW	(1)
8		700-00751	WASHER	(1)
9		700-00511	E_SCREW	(1)
10		700-00175	EJECTOR PLATE	(1)
11		700-00505	E_SCREW	(1)
12		700-00405	LOOPER	(1)
13		700-00525	E_SCREW	(1)
14		700-00506	E_SCREW	(1)
15	#04	700-00199	THREAD GUIDE PLATE	(1)
16	#03	401-59693	THREAD GUIDE PLATE	(1)
17	#01	700-00411	BALL CONNECTING ROD COMB.	1
18		700-00418	BALL CONNECTING ROD	(1)
19		700-00417	BALL CONNECTING ROD	(1)
20		700-00539	E_SCREW	(2)
21		700-00539	E_SCREW	(2)
22		401-59684	FIXED JAW	(1)
23		700-00545	E_SCREW	(1)
24	#01	700-00415	BALL CONNECTING ROD	(1)
25	#01	700-00413	BALL CONNECTING ROD	(1)
26		700-00590	M_SCREW	(1)
27		700-00517	E_SCREW	1
28		700-00410	BUSHING	1
29		700-00270	OIL SEAL	1
30		700-00752	WASHER	1
31		700-00410	BUSHING	1
32		700-00409	ARBOR	1
33		700-00343	GASKET	1
34		700-00614	WASHER	1
35	#02	700-00412	BALL CONNECTING ROD COMB.	1
36	#02	700-00416	BALL CONNECTING ROD	(1)
37	#02	700-00414	BALL CONNECTING ROD	(1)
38	#02	700-00522	E_SCREW	(1)
39		700-00590	M_SCREW	(1)

NOTE

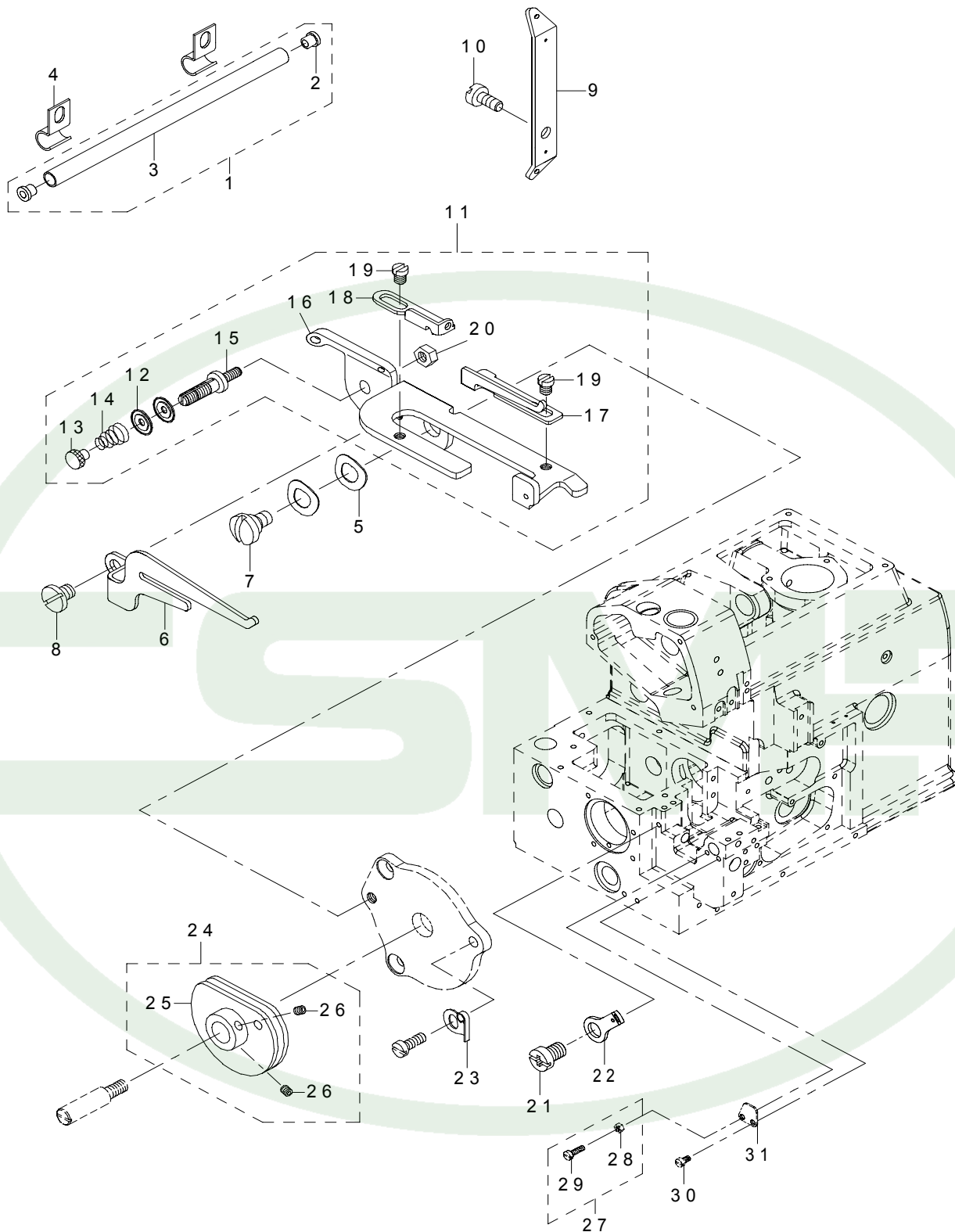
#01....FOR 04S,14S  
 #02....FOR 16S,43S  
 #03....FOR 16-50H  
 #04....FOR 04S,14S,16S,43S

## 9. CHAIN LOOPER COMPONENTS (1)



REF.NO	NOTE	PART NO	DESCRIPTION	Qty
1		700-00479	CONNECTING ROD COMB.	1
2		700-00139	O-RING	(1)
3		700-00317	BUSHING	(1)
4		700-00346	GASKET	(1)
5		700-00357	WASHER	(1)
6		700-00463	ADJUSTING SEAT	(1)
7		700-00464	ADJUSTING SEAT	(1)
8		700-00467	SHAFT	(1)
9		700-00478	CONNECTING ROD	(1)
10		700-00514	E_SCREW	(1)
11		700-00561	E_SCREW	(1)
12		700-00616	WASHER	(1)
13		700-00697	BEARING	(1)
14		700-00703	ECCENTRIC	(1)
15		700-00465	SLIDE BLOCK GUIDE	1
16		700-00461	SHAFT	(1)
17		700-00466	SLIDE BLOCK GUIDE	(1)
18		700-00462	SLIDE BLOCK GUIDE	(1)
19		700-00590	M_SCREW	(1)
20		700-00475	LOOPER COMB.	1
21		700-00476	LOOPER HOLDER	(1)
22		700-00351	WASHER	(1)
23		700-00474	LOOPER HOLDER	(1)
24		700-00380	GASKET	(1)
25		700-00531	E_SCREW	(1)
26		700-00473	LOOPER	(1)
27		700-00508	E_SCREW	(1)
28		700-00270	OIL SEAL	1
29		700-00525	SCREW	1
30		700-00471	LOOPER CONNECTING ROD	1
31		700-00470	LOOPER CONNECTING ROD	(1)
32		700-00590	M_SCREW	(1)
33		700-00477	BUSHING	1
34		700-00410	BUSHING	1
35		700-00472	CONNECTING ROD	1
36		700-00317	BUSHING	1
37		700-00346	GASKET	1
38		700-00514	E_SCREW	1

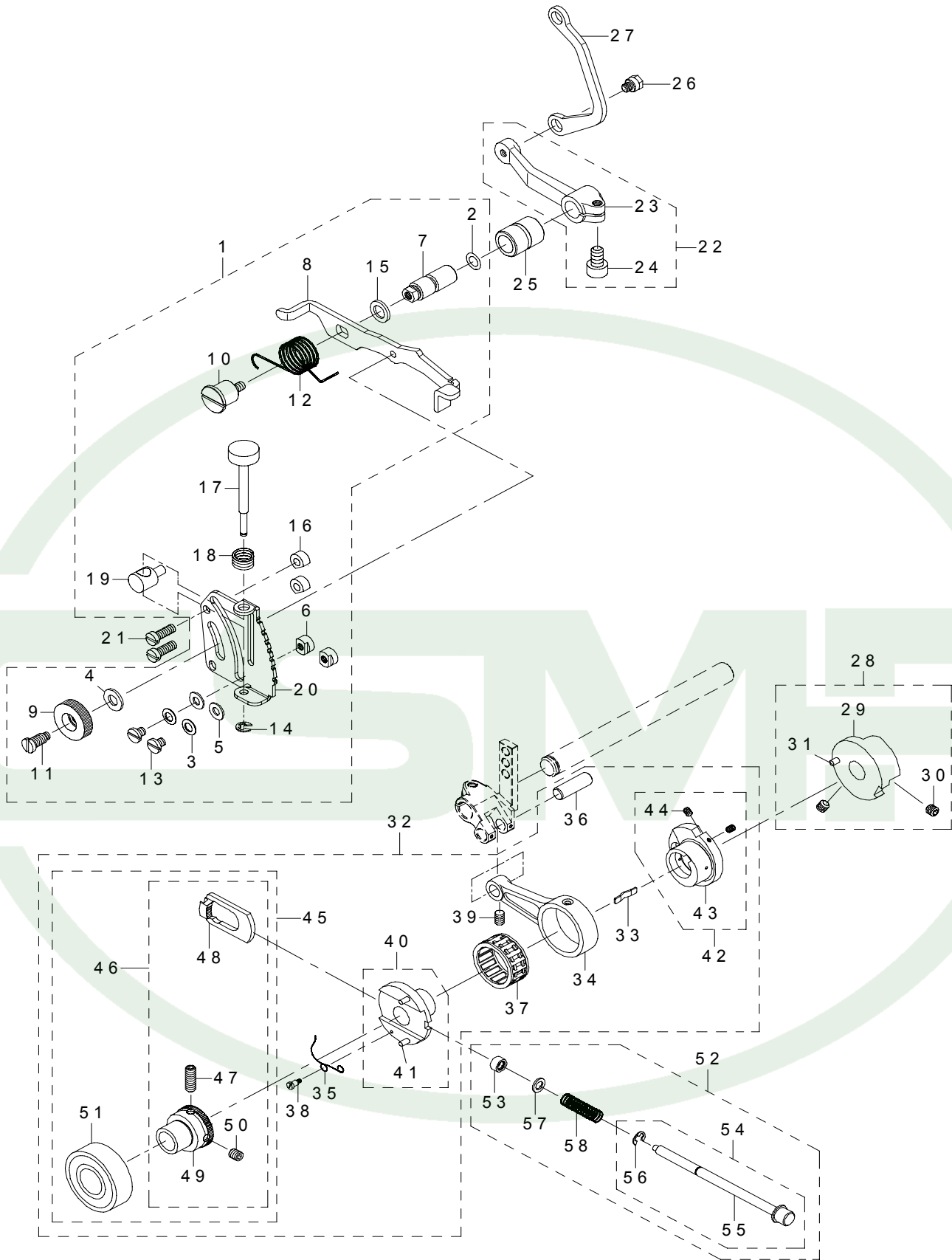
## 10. CHAIN LOOPER COMPONENTS (2)



REF.NO	NOTE	PART NO	DESCRIPTION	Qty
1		700-00397	DUCT COMB.	1
2		700-00172	PLUG	(2)
3		700-00396	DUCT	(1)
4		700-00398	FIXED PLATE	2
5		700-00359	WASHER	2
6		700-00387	THREAD GUIDE PLATE	1
7		700-00519	E_SCREW	1
8		700-00576	M_SCREW	1
9		700-00384	THREAD CROSSING	1
10		700-00513	E_SCREW	1
11		700-00391	THREAD TAKE-UP DEVICE	1
12		700-00392	THREAD GRIP	(2)
13		700-00393	THREAD TENSION KNOB	(1)
14		700-00394	SPRING	(1)
15		700-00395	THREAD TENSION SHAFT	(1)
16		700-00388	BRACKET	(1)
17		700-00389	THREAD GUIDE PLATE	(1)
18		700-00390	THREAD GUIDE PLATE	(1)
19		700-00571	M_SCREW	(2)
20		700-00452	NUT	(1)
21		700-00557	E_SCREW	1
22		700-00383	THREAD GUIDE PLATE	1
23		700-00448	SPRING PLATE	1
24		700-00386	THREAD TENSION CAM	1
25		700-00385	THREAD TENSION CAM	(1)
26		700-00498	E_SCREW	(2)
27		700-00453	NUT	1
28		700-00452	NUT	(1)
29		700-00563	E_SCREW	(1)
30		700-00518	E_SCREW	1
31		700-00610	FIXED PLATE	1



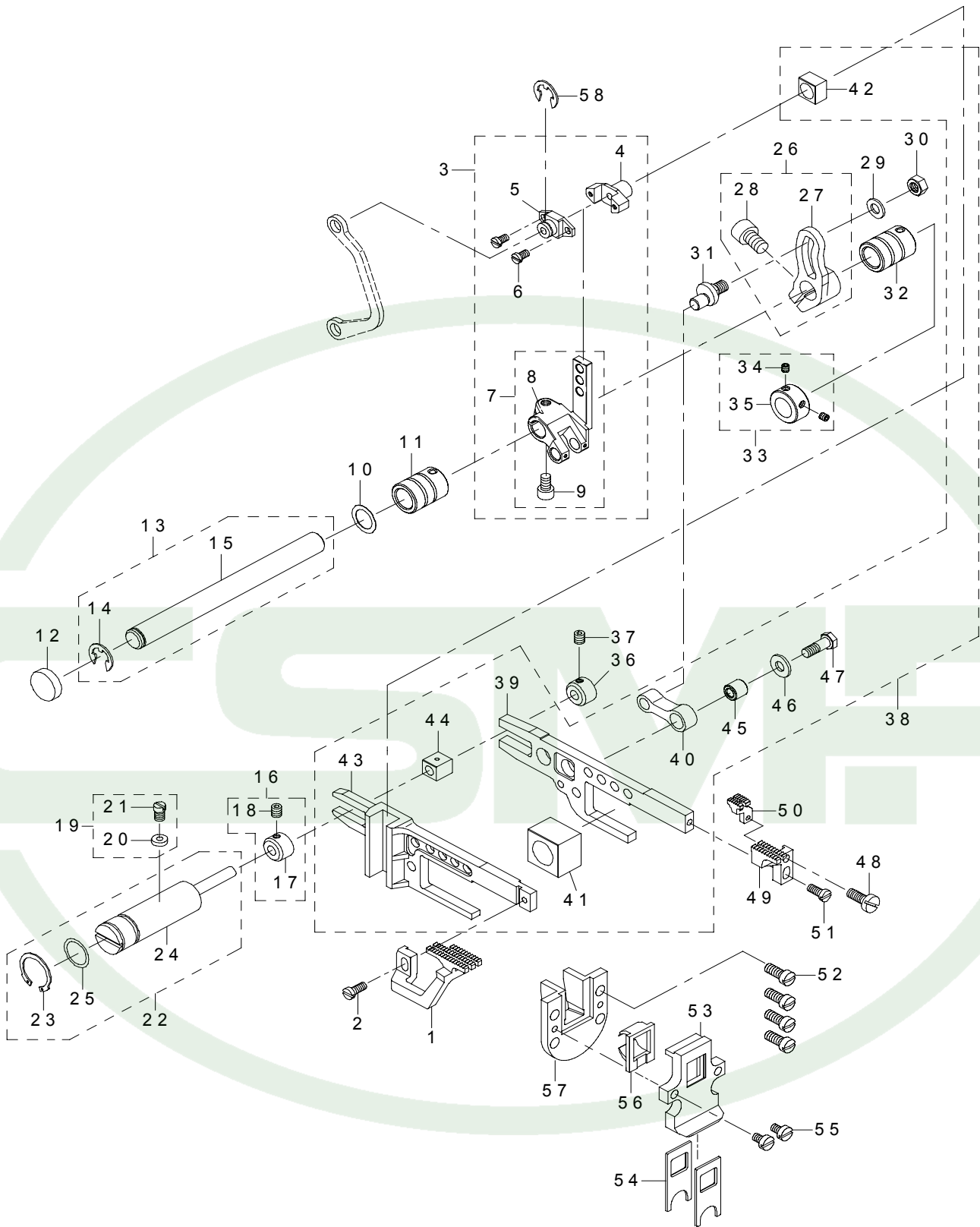
# 11. FEED MECHANISM COMPONENTS (1)





REF.NO	NOTE	PART NO	DESCRIPTION	Qty
1		401-59707	FEED DOG SEAT COMB.	1
2		700-00140	O-RING	(1)
3		700-00344	GASKET	(2)
4		700-00345	WASHER	(1)
5		700-00349	WASHER	(2)
6		700-00372	FIXED BLOCK	(2)
7		700-00373	ADJUSTING SEAT	(1)
8		700-00379	ADJUSTING PLATE	(1)
9		700-00450	NUT	(1)
10		700-00495	SCREW	(1)
11		700-00542	E_SCREW	(1)
12		700-00601	SPRING	(1)
13		700-00512	E_SCREW	(2)
14		700-00131	E_CIRCLIPS	(1)
15		700-00353	WASHER	(1)
16		401-59702	SPACER	(2)
17		401-59703	ADJUSTING SCREW	(1)
18		401-59704	SPRING	(1)
19		401-59705	BLOCK	(1)
20		401-59706	FEED DOG SEAT	(1)
21		700-00523	E_SCREW	2
22		700-00370	DIFFERENTIAL CONNECTING ROD ASM.	1
23		700-00369	DIFFERENTIAL CONNECTING ROD	(1)
24		700-00590	M_SCREW	(1)
25		401-59700	BUSHING	1
26		700-00552	E_SCREW	1
27		401-59701	CONNECTING ROD	1
28		700-00276	ADJUSTING WHEEL	1
29		700-00275	ADJUSTING WHEEL	(1)
30		700-00582	M_SCREW	(2)
31		700-00666	PIN	(1)
32		401-59709	CONNECTING ROD COMB.	1
33		700-00162	SPRING PLATE	(1)
34		700-00277	CONNECTING ROD	(1)
35		700-00602	SPRING	(1)
36		700-00662	PIN	(1)
37		700-00698	BEARING	(1)
38		401-59708	M_SCREW	(1)
39		700-00503	E_SCREW	(1)
40		700-00282	ECCENTRIC	(1)
41		700-00665	PIN	(2)
42		700-00289	ECCENTRIC	(1)
43		700-00288	ECCENTRIC	(1)
44		700-00502	E_SCREW	(2)
45		700-00741	ADJUSTING WHEEL COMB.	(1)
46		700-00740	ADJUSTING WHEEL	(1)
47		700-00583	M_SCREW	(1)
48		700-00738	SLIDE BLOCK	(1)
49		700-00739	ADJUSTING WHEEL	(1)
50		700-00582	M_SCREW	(1)
51		700-00694	BEARING	(1)
52		700-00284	SHAFT COMB.	1
53		700-00137	O-RING	(1)
54		700-00286	SHAFT	(1)
55		700-00283	SHAFT	(1)
56		700-00131	E_CIRCLIPS	(1)
57		700-00358	WASHER	(1)
58		700-00600	SPRING	(1)

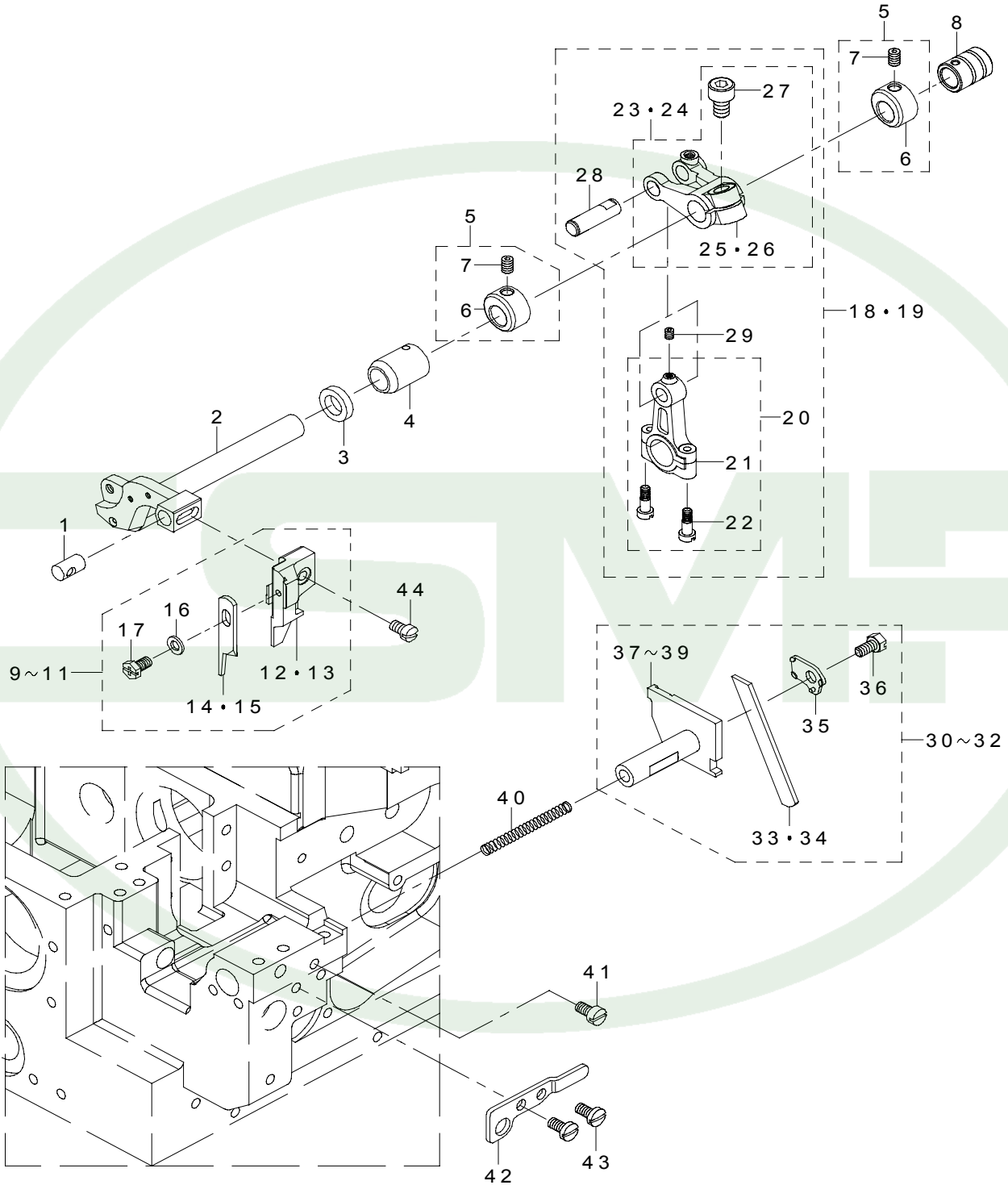
## 12. FEED MECHANISM COMPONENTS (2)



REF.NO	NOTE	PART NO	DESCRIPTION	Qty
1	#01	*****	FEED DOG	1
2		700-00509	E_SCREW	1
3		700-00683	CRANK COMB.	1
4		700-00374	ROCKING SEAT	(1)
5		700-00375	ROCKING SEAT	(1)
6		700-00558	E_SCREW	(2)
7		700-00684	CRANK	(1)
8		700-00681	CRANK	(1)
9		700-00590	M_SCREW	(1)
10		700-00361	WASHER	1
11		700-00280	BUSHING	1
12		700-00446	OIL SEAL	1
13		401-59717	ECCENTRIC SHAFT COMB.	1
14		700-00133	E_CIRCLIPS	(1)
15		401-59716	ECCENTRIC SHAFT	(1)
16		700-00435	COLLAR	1
17		700-00433	COLLAR	(1)
18		700-00522	E_SCREW	(1)
19		700-00147	OIL SEAL COMB.	1
20		700-00138	OIL SEAL	(1)
21		700-00548	E_SCREW	(1)
22		700-00734	ECCENTRIC SHAFT	1
23		700-00135	E_CIRCLIPS	(1)
24		700-00733	ECCENTRIC SHAFT	(1)
25		700-00141	O-RING	(1)
26		700-00685	CRANK	1
27		700-00682	CRANK	(1)
28		700-00590	M_SCREW	(1)
29		700-00356	WASHER	1
30		700-00458	NUT	1
31		700-00688	ADJUSTING SHAFT	1
32		700-00410	BUSHING	1
33		401-59676	COLLAR	1
34		700-00522	E_SCREW	(2)
35		401-59715	COLLAR	(1)
36		700-00433	COLLAR	1
37		700-00522	E_SCREW	1
38		700-00731	FEED DOG SEAT COMB.	1
39		700-00422	FEED DOG SEAT	(1)
40		700-00423	CONNECTING ROD	(1)
41		700-00429	SLIDE BLOCK	(1)
42		700-00686	SLIDE BLOCK	(1)
43		700-00689	FEED DOG SEAT	(1)
44		700-00732	SLIDE BLOCK	(1)
45		700-00317	BUSHING	(1)
46		700-00346	GASKET	(1)
47		700-00514	E_SCREW	(1)
48		700-00572	M_SCREW	1
49	#01	*****	FEED DOG	1
50	#01	*****	FEED DOG	1
51		700-00509	E_SCREW	1
52		700-00530	E_SCREW	4
53		700-00151	OIL SCRAPER HOLDER	1
54		700-00152	OIL SEAL	2
55		700-00508	E_SCREW	2
56		700-00150	OIL SEAL	1
57		401-59719	SLIDE BLOCK	1
58		700-00132	E_CIRCLIPS	1
		NOTE	#01....REFER "MO-6800S GAUGE TABLE"	

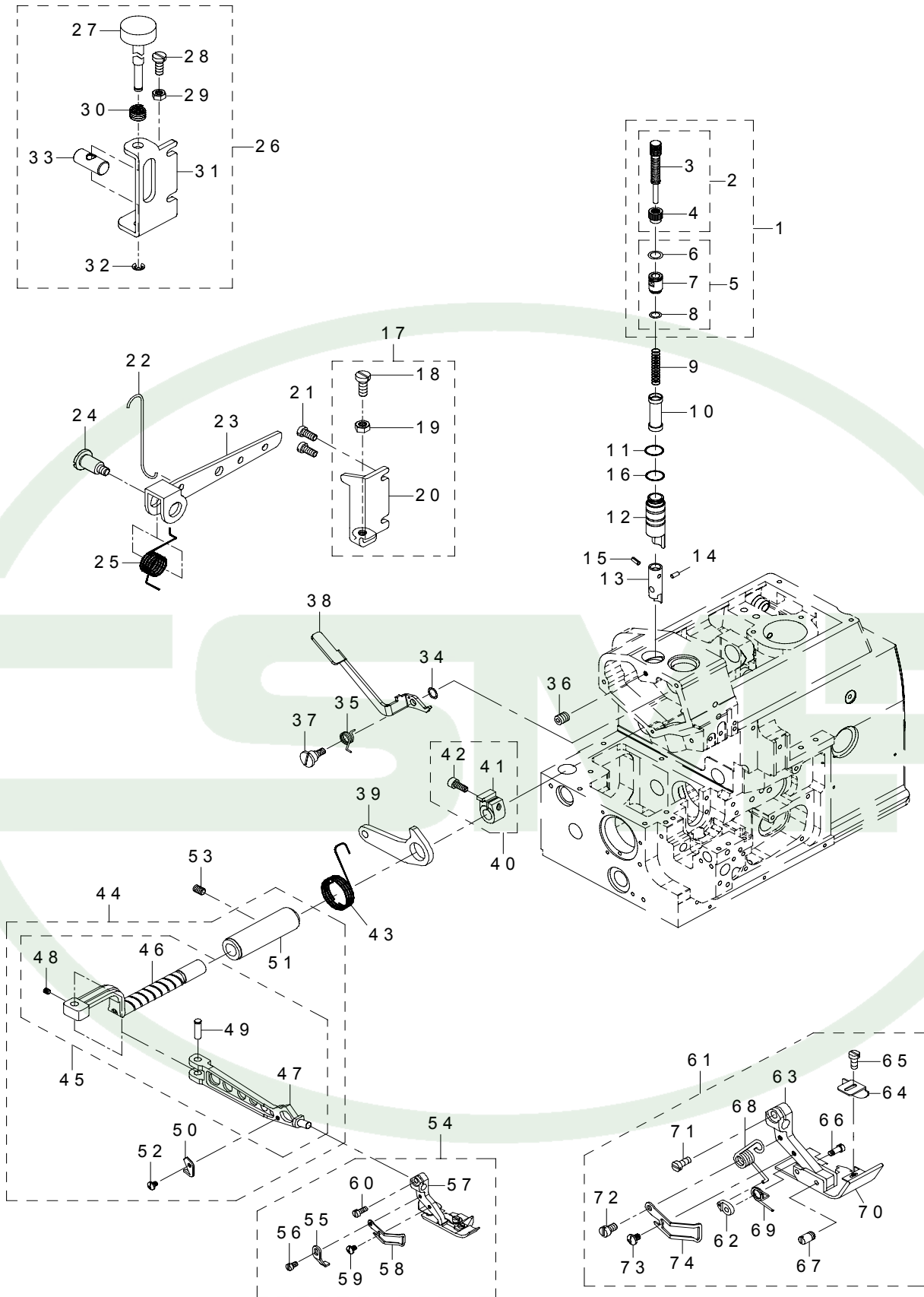
### 13. KNIFE COMPONENTS

MODEL	04S/14S	16S/43S	16S-50H
PARTS NO	25	26	26
	23	24	24
	18	19	19
	12	13	13
	9	11	10
	37	38	39
	30	31	32



REF.NO	NOTE	PART NO	DESCRIPTION	Qty
1		700-00230	SHAFT	1
2		700-00235	SWING AXLE	1
3		700-00269	OIL SEAL	1
4		700-00237	BUSHING	1
5		700-00436	COLLAR	2
6		700-00434	COLLAR	(2)
7		700-00522	E_SCREW	(2)
8		700-00236	BUSHING	1
9	#01	700-00232	KNIFE SEAT COMB.	1
10	#02	700-00844	KNIFE SEAT COMB	1
11	#03	401-59734	KNIFE SEAT COMB	1
12	#01	700-00234	KNIFE SEAT	(1)
13	#04	700-00843	KNIFE SEAT	(1)
14	#02	401-59725	KNIFE	(1)
15		700-00229	KNIFE	(1)
16		700-00347	GASKET	(1)
17		700-00510	E_SCREW	(1)
18	#01	401-59729	CONNECTING ROD	1
19	#04	401-59732	CONNECTING ROD	1
20		401-59728	CONNECTING ROD	(1)
21		401-59727	CONNECTING ROD	(1)
22		700-00578	M_SCREW	(2)
23	#01	700-00721	ROCKING BAR	(1)
24	#04	700-00842	ROCKING BAR COMB.	(1)
25	#01	700-00720	ROCKING BAR	(1)
26	#04	700-00841	ROCKING BAR	(1)
27		700-00590	M_SCREW	(1)
28		401-59726	PIN	(1)
29		700-00522	E_SCREW	(1)
30	#01	700-00402	KNIFE SEAT COMB.	1
31	#03	700-00845	KNIFE SEAT COMB.	1
32	#02	401-59734	KNIFE SEAT COMB.	1
33		700-00399	KNIFE	(1)
34	#02	401-59730	KNIFE	(1)
35		700-00400	FIXED PLATE	(1)
36		700-00517	E_SCREW	(1)
37	#01	700-00403	KNIFE SEAT	(1)
38	#03	700-00813	KNIFE SEAT	(1)
39	#02	401-59733	KNIFE SEAT	(1)
40		700-00603	SPRING	1
41		700-00524	E_SCREW	1
42		700-00401	FIXED PLATE	1
43		700-00515	E_SCREW	2
44		700-00521	E_SCREW	1
	NOTE		#01....FOR 04S,14S #02....FOR 16S-50H #03....FOR 16S,43S #04....FOR 16S,43,16S-50H	

# 14. PRESSER FOOT COMPONENTS

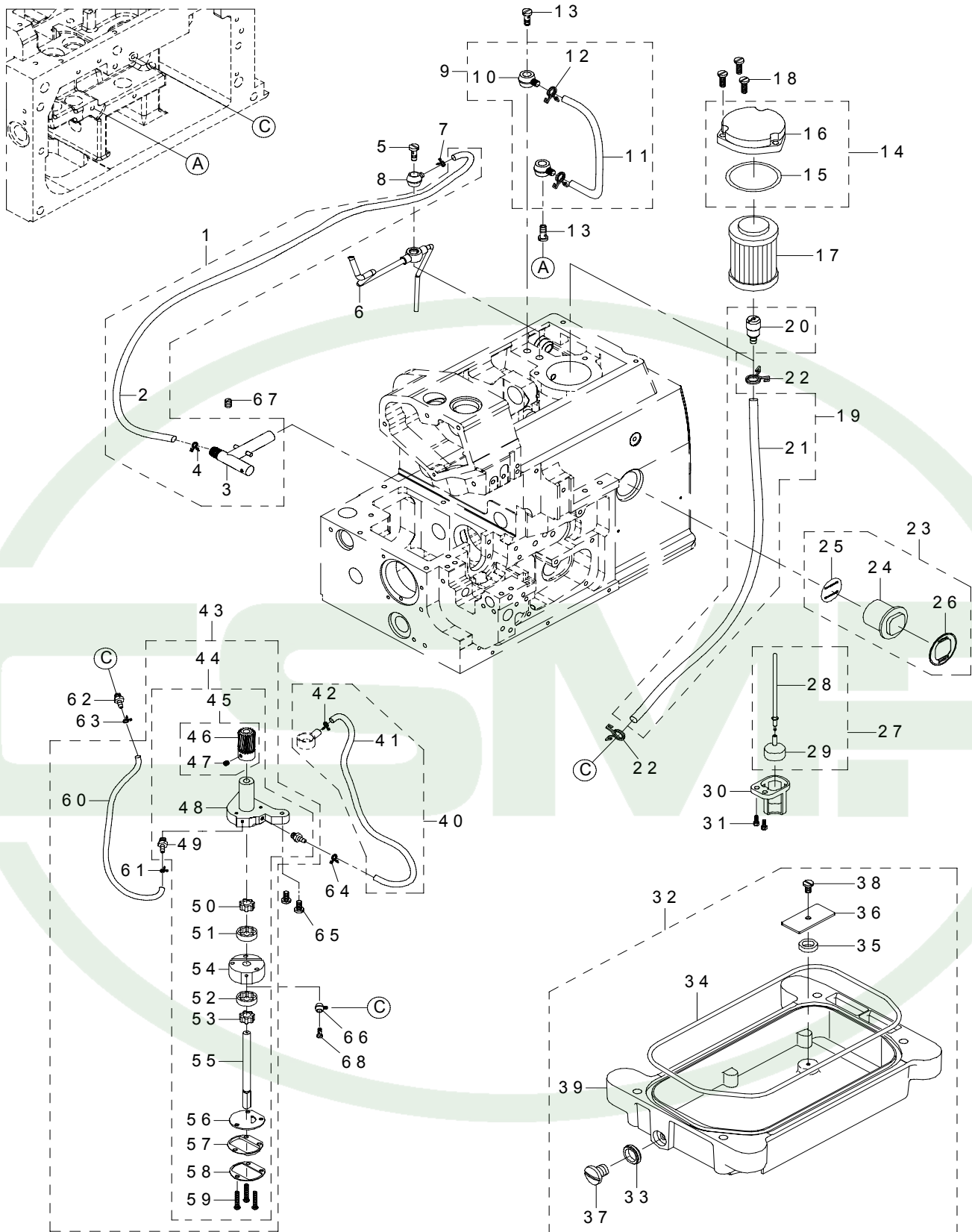


REF.NO	NOTE	PART NO	DESCRIPTION	Qty
1		401-59745	SCREW ROD COMB.	1
2		401-59746	SCREW ROD COMB.	(1)
3		700-00505	E_SCREW	(1)
4		401-59742	NUT	(1)
5		401-59744	FIXED BUTTON	(1)
6		700-00141	O-RING	(1)
7		401-59743	FIXED BUTTON	(1)
8		700-00142	O-RING	(1)
9		700-00608	SPRING	1
10		401-59753	THIMBLE	1
11		700-00142	O-RING	1
12		700-00311	PRESSER FOOT ARM	1
13		700-00309	SLIDER	1
14		700-00664	SHAFT	1
15		700-00669	PIN	1
16		700-00141	O-RING	1
17		700-00293	SUPPORTER	1
18		700-00584	M_SCREW	(1)
19		700-00458	NUT	(1)
20		700-00292	STOPPER	(1)
21		700-00515	E_SCREW	2
22		700-00294	HOOK BAR	1
23		700-00295	PRESSER FOOT ARM	1
24		700-00592	M_SCREW	1
25		700-00604	SPRING	1
26	#01	401-59749	SUPPORTER	1
27		401-59703	ADJUSTING SCREW	(1)
28		700-00584	M_SCREW	(1)
29		700-00458	NUT	(1)
30		401-59704	SPRING	(1)
31		401-59748	STOPPER	(1)
32		700-00131	E_CIRCLIPS	(1)
33		401-59750	BLOCK	(1)
34		700-00355	WASHER	1
35		401-59754	SPRING	1
36		700-00522	E_SCREW	1
37		700-00528	E_SCREW	1
38		401-59752	LEVER	1
39		700-00291	DRAG LINK	1
40		700-00302	COLLAR	1
41		700-00301	COLLAR	(1)
42		401-59751	M_SCREW	(1)
43		700-00605	SPRING	1
44		700-00298	PRESSER FOOT SEAT COMB.	1
45		700-00300	PRESSER BAR COMB.	(1)
46		700-00274	PRESSER FOOT LIFTING LEVER	(1)
47		700-00297	PRESSER FOOT ARM	(1)
48		700-00566	M_SCREW	(1)
49		700-00673	SHAFT	(1)
50		700-00176	KNIFE	(1)
51		700-00303	BUSHING	(1)
52		700-00538	E_SCREW	(1)
53		700-00522	E_SCREW	1
54	#02	*****	PRESSER FOOT	1
55		700-00304	FIXED PLATE	(1)
56		700-00500	E_SCREW	(1)
57	#02	*****	PRESSER FOOT	(1)
58		700-00735	FINGER GUARD	(1)
59		700-00538	E_SCREW	(1)
60		401-59741	SCREW ROD	(1)
61	#02	*****	PRESSER FOOT	1
62		700-00419	LEVER	(1)
63		700-00420	PRESSER FOOT LIFTING LEVER	(1)
64		700-00480	THREAD GUIDE PLATE	(1)
65		700-00496	E_SCREW	(1)
66		700-00499	E_SCREW	(1)
67		700-00537	E_SCREW	(1)
68		700-00606	SPRING	(1)
69		700-00609	SPRING	(1)
70	#02	*****	PRESSER FOOT	(1)
71		700-00505	E_SCREW	(1)
72		700-00500	E_SCREW	(1)
73		700-00538	E_SCREW	(1)
74		700-00735	FINGER GUARD	(1)

NOTE

#01....OPTIONAL PARTS  
#02....REFER "MO-6800S GAUGE TABLE"

# 15. LUBRICATION MECHANISM COMPONENTS

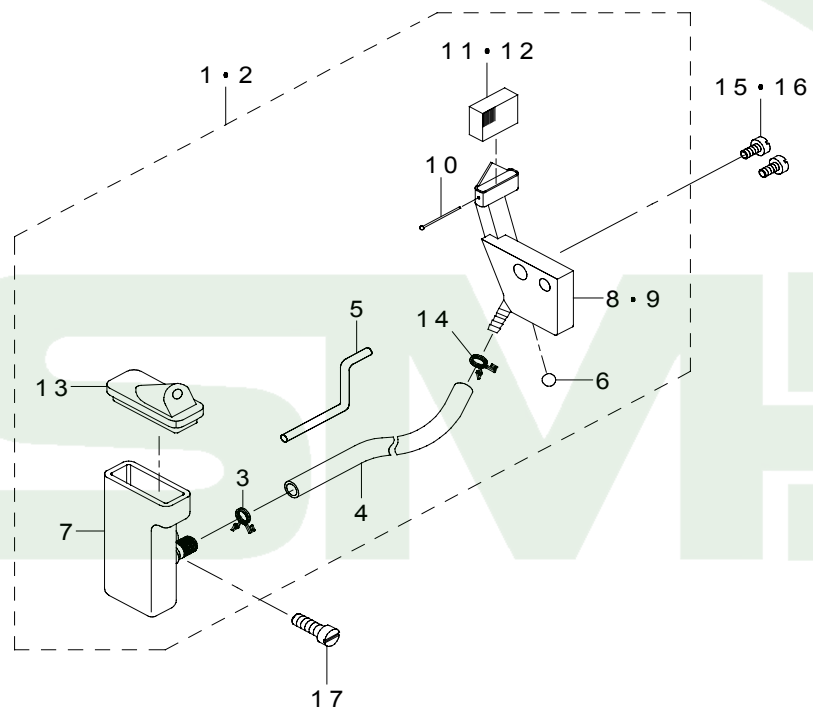




REF.NO	NOTE	PART NO	DESCRIPTION	Qty
1		700-00327	OIL TUBU GROUP	1
2		700-00326	HOSE	(1)
3		700-00631	OIL TUBE	(1)
4		700-00658	SPRING CLAMP	(1)
5		700-00534	E_SCREW	1
6		700-00693	COPPER TUBE	1
7		700-00658	SPRING CLAMP	1
8		401-59760	JOINT	1
9		700-00329	HOSE COMB.	1
10		700-00323	JOINT	(2)
11		700-00325	HOSE	(1)
12		700-00658	SPRING CLAMP	(2)
13		700-00532	E_SCREW	2
14		700-00675	OIL FILTER	1
15		700-00144	O-RING	(1)
16		700-00674	OIL FILTER COVER	(1)
17		700-00312	OIL FILTER	1
18		700-00520	E_SCREW	3
19		700-00328	OIL TUBE COMB	1
20		700-00428	JOINT	(1)
21		700-00326	HOSE	(1)
22		700-00658	SPRING CLAMP	2
23		401-59762	OIL LEVEL INSPECTION LENS COMB.	1
24		700-00157	OIL LEVEL INSPECTION LENS	(1)
25		700-00158	NAME PLATE	(1)
26		401-59761	NAME PLATE	(1)
27		700-00160	OIL INDICATOR ROD COMB.	1
28		700-00159	OIL INDICATOR ROD	(1)
29		700-00261	OIL INDICATOR	(1)
30		700-00262	BAFFLE	1
31		700-00521	E_SCREW	2
32		401-59764	OIL RESERVOIR COMB.	1
33		700-00146	OIL SEAL	(1)
34		700-00273	O-RING	(1)
35		700-00381	MAGNET	(1)
36		700-00382	BAFFLE	(1)
37		700-00533	E_SCREW	(1)
38		700-00518	E_SCREW	(1)
39		401-59763	OIL RESERVOIR COMB.	(1)
40		700-00319	HOSE COMB.	1
41		700-00318	HOSE	(1)
42		700-00657	SPRING CLAMP	(1)
43		700-00716	PUMP COMB.	1
44		700-00715	PUMP COMB.	(1)
45		700-00260	GEAR	(1)
46		700-00258	WORM WHEEL	(1)
47		700-00582	M_SCREW	(1)
48		700-00713	PUMP BODY	(1)
49		700-00322	JOINT	(2)
50		401-59765	GEAR	(1)
51		700-00148	GEAR	(1)
52		700-00148	GEAR	(1)
53		401-59765	GEAR	(1)
54		700-00714	PUMP BODY	(1)
55		700-00712	SHAFT	(1)
56		700-00717	PUMP COVER	(1)
57		700-00710	FILTER NET	(1)
58		700-00711	GASKET	(1)
59		700-00575	M_SCREW	(3)
60		700-00324	HOSE	(1)
61		700-00657	SPRING CLAMP	(1)
62		700-00322	JOINT	1
63		700-00657	SPRING CLAMP	1
64		700-00657	SPRING CLAMP	1
65		700-00527	E_SCREW	2
66		700-00323	JOINT	1
67		700-00522	E_SCREW	1
68		700-00532	E_SCREW	1

## 16. NEEDLE COOLER UNIT COMPONENTS

MODEL	04S/14S	16S/43S
PARTS NO	11	12
	8	9
	1	2
	15	16



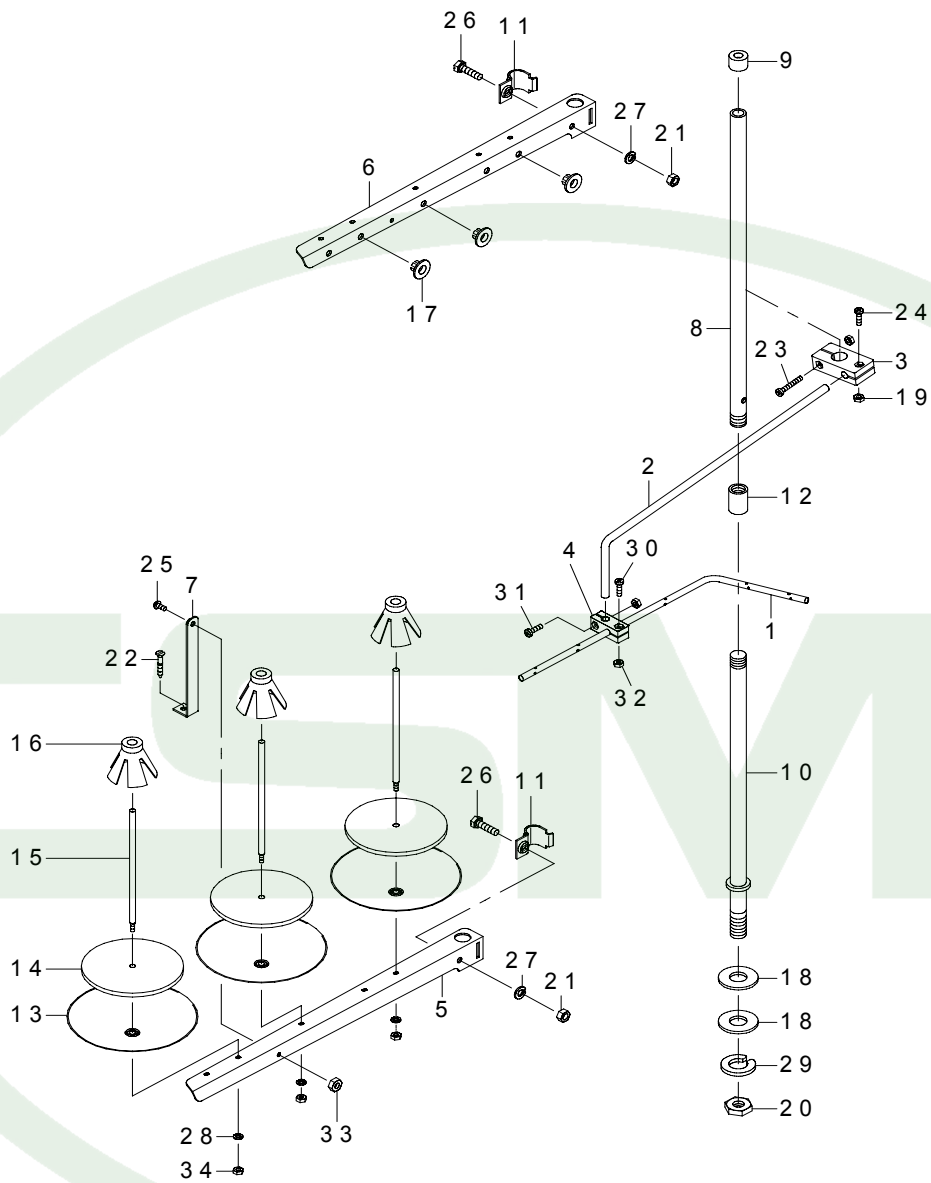
REF.NO	NOTE	PART NO	DESCRIPTION	Qty
1	#01	401-59772	OILER	1
2	#02	401-59775	OILER	1
3		700-00658	SPRING CLAMP	(1)
4		401-59768	HOSE	(1)
5		401-59769	OIL WICK	(1)
6		401-59770	BALL	(1)
7		401-59771	OILER	(1)
8	#01	401-59776	DIVIDING SEAT	(1)
9	#02	401-59774	DIVIDING SEAT	(1)
10		401-59778	NAIL	(1)
11	#01	401-59777	OIL FELT	(1)
12	#02	401-59773	OIL FELT	(1)
13		401-59779	OILER COVER	(1)
14		700-00658	SPRING CLAMP	(1)
15	#01	700-00526	E_SCREW	1
16	#02	700-01060	E_SCREW	2
17		700-00518	E_SCREW	1

NOTE

#01....FOR 04S,14S  
#02....FOR 16S,43S



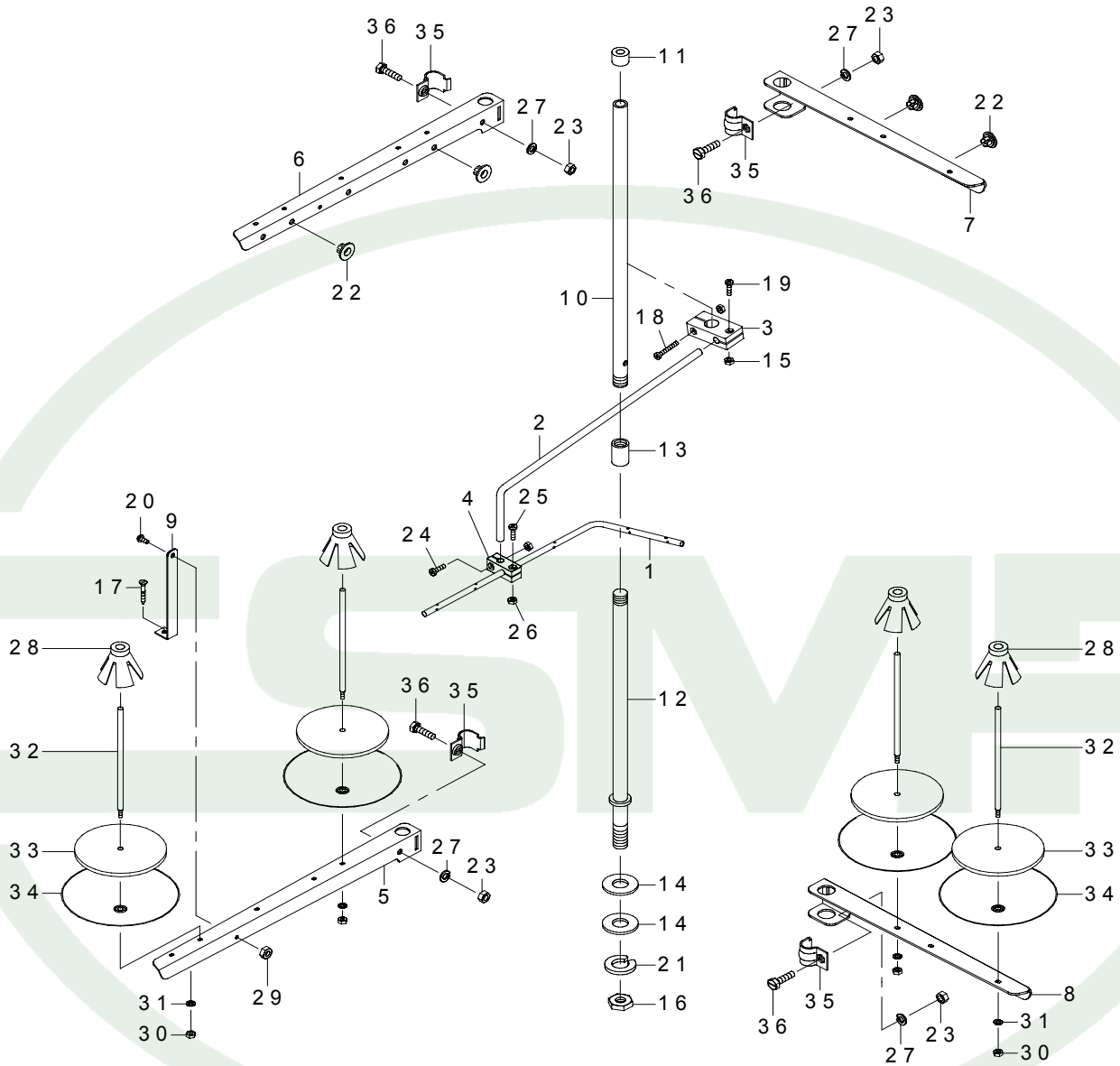
# 17. THREAD STAND COMPONENTS (FOR MO-6804S)



REF.NO	NOTE	PART NO	DESCRIPTION	Qty
1		700-00178	THREAD GUIDE PLATE	1
2		700-00179	THREAD GUIDE BAR	1
3		700-00180	FIXED SEAT	1
4		700-00181	FIXED SEAT	1
5		700-00182	THREAD GUIDE BAR	1
6		700-00183	THREAD GUIDE BAR	1
7		700-00186	SUPPORTER	1
8		700-00188	THREAD STAND ROD	1
9		700-00189	THREAD STAND COVER	1
10		700-00190	THREAD STAND ROD	1
11		700-00191	FIXED PLATE	2
12		700-00192	CONNECTING LOOP	1
13		700-00215	COILING SEAT	3
14		700-00216	SPONGY CUSHION	3
15		700-00217	CONNECTING LOOP	3
16		700-00218	THREAD STEADY BALL SEAT	3
17		700-00219	PLUG	3
18		700-00354	WASHER	2
19		700-00454	NUT	2
20		700-00455	NUT	1
21		700-00456	NUT	2
22		700-00547	E_SCREW	1
23		700-00579	M_SCREW	1
24		700-00580	M_SCREW	1
25		700-00581	M_SCREW	1
26		700-00589	M_SCREW	2
27		700-00611	WASHER	2
28		700-00615	WASHER	3
29		700-00618	WASHER	1
30		700-00580	M_SCREW	1
31		700-00580	M_SCREW	1
32		700-00454	NUT	2
33		700-00454	NUT	1
34		700-00454	NUT	3



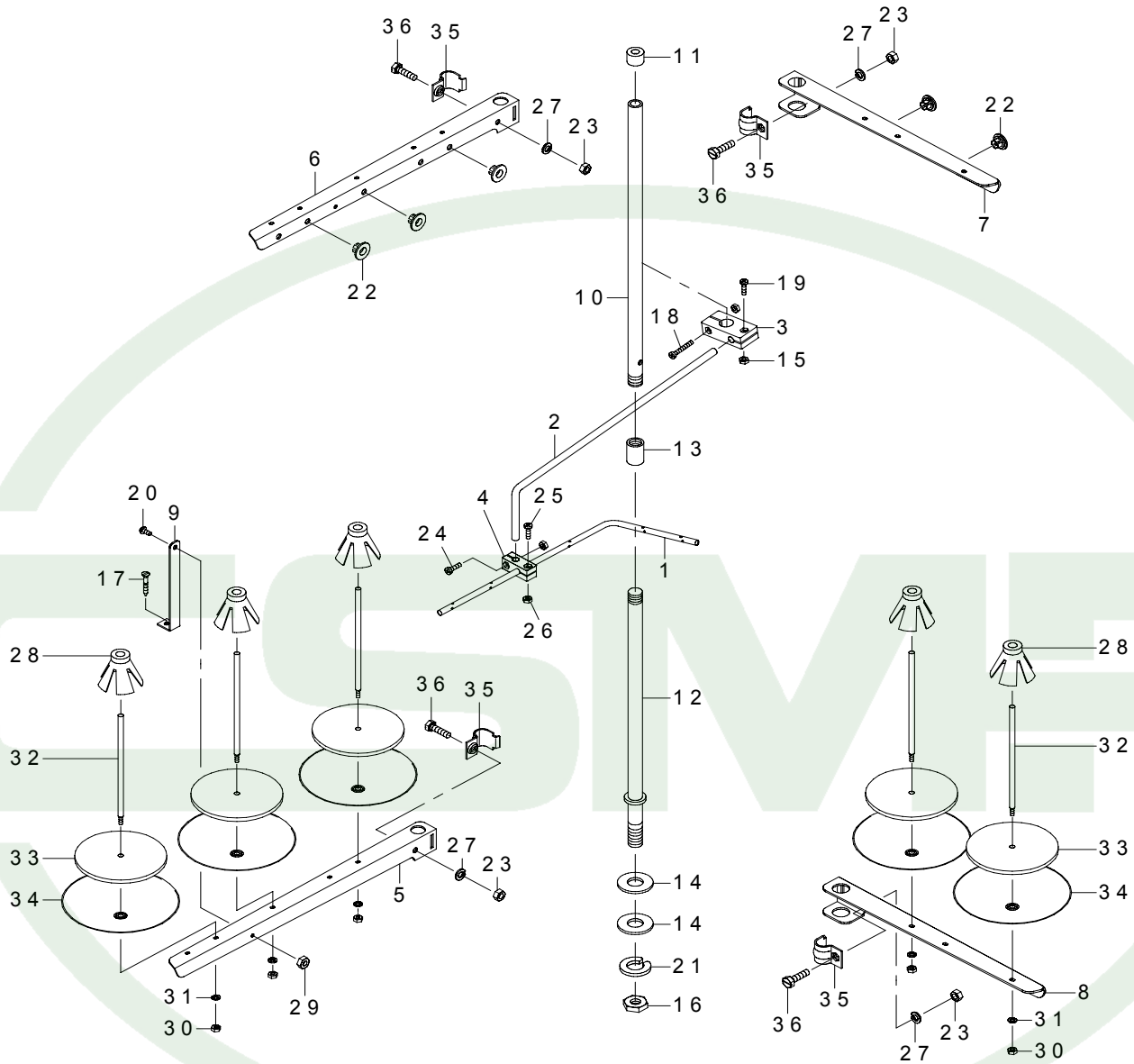
18. THREAD STAND COMPONENTS (FOR MO-6814S)



REF.NO	NOTE	PART NO	DESCRIPTION	Qty
1		700-00178	THREAD GUIDE PLATE	1
2		700-00179	THREAD GUIDE BAR	1
3		700-00180	FIXED SEAT	1
4		700-00181	FIXED SEAT	1
5		700-00182	THREAD GUIDE BAR	1
6		700-00183	THREAD GUIDE BAR	1
7		700-00184	THREAD GUIDE BAR	1
8		700-00185	THREAD GUIDE BAR	1
9		700-00186	SUPPORTER	1
10		700-00188	THREAD STAND ROD	1
11		700-00189	THREAD STAND COVER	1
12		700-00190	THREAD STAND ROD	1
13		700-00192	CONNECTING LOOP	1
14		700-00354	WASHER	2
15		700-00454	NUT	2
16		700-00455	NUT	1
17		700-00547	E_SCREW	1
18		700-00579	M_SCREW	1
19		700-00580	M_SCREW	1
20		700-00581	M_SCREW	1
21		700-00618	WASHER	1
22		700-00219	PLUG	4
23		700-00456	NUT	4
24		700-00580	M_SCREW	1
25		700-00580	M_SCREW	1
26		700-00454	NUT	2
27		700-00611	WASHER	4
28		700-00218	THREAD STEADY BALL SEAT	4
29		700-00454	NUT	1
30		700-00454	NUT	4
31		700-00615	WASHER	4
32		700-00217	CONNECTING LOOP	4
33		700-00216	SPONGY CUSHION	4
34		700-00215	COILING SEAT	4
35		700-00191	FIXED PLATE	4
36		700-00589	M_SCREW	4



19. THREAD STAND COMPONENTS (FOR MO-6816S)

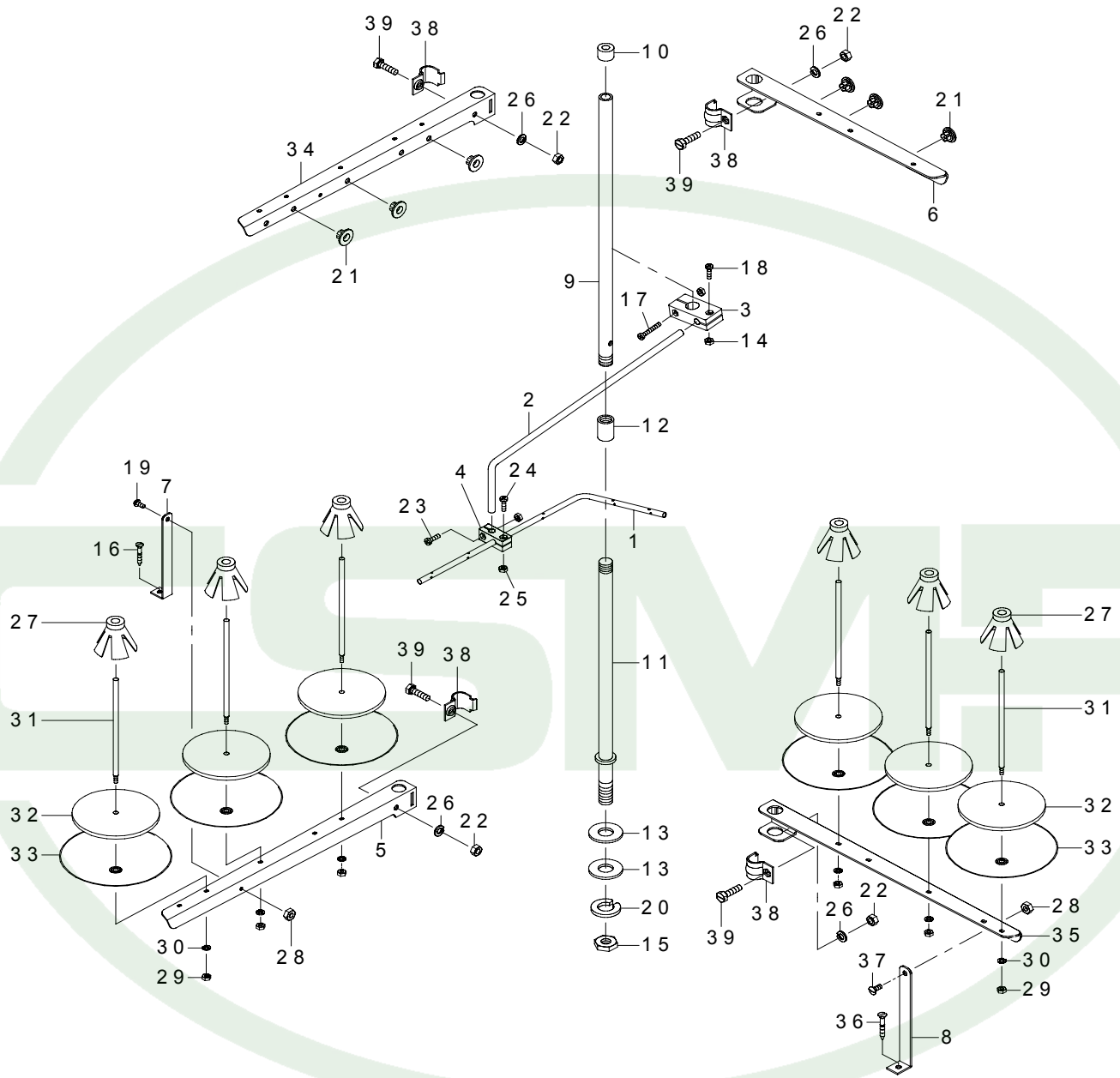




REF.NO	NOTE	PART NO	DESCRIPTION	Qty
1		700-00177	THREAD GUIDE BAR	1
2		700-00179	THREAD GUIDE BAR	1
3		700-00180	FIXED SEAT	1
4		700-00181	FIXED SEAT	1
5		700-00182	THREAD GUIDE BAR	1
6		700-00183	THREAD GUIDE BAR	1
7		700-00184	THREAD GUIDE BAR	1
8		700-00185	THREAD GUIDE BAR	1
9		700-00186	SUPPORTER	1
10		700-00188	THREAD STAND ROD	1
11		700-00189	THREAD STAND COVER	1
12		700-00190	THREAD STAND ROD	1
13		700-00192	CONNECTING LOOP	1
14		700-00354	WASHER	2
15		700-00454	NUT	2
16		700-00455	NUT	1
17		700-00547	E_SCREW	1
18		700-00579	M_SCREW	1
19		700-00580	M_SCREW	1
20		700-00581	M_SCREW	1
21		700-00618	WASHER	1
22		700-00219	PLUG	5
23		700-00456	NUT	4
24		700-00580	M_SCREW	1
25		700-00580	M_SCREW	1
26		700-00454	NUT	2
27		700-00611	WASHER	4
28		700-00218	THREAD STEADY BALL SEAT	5
29		700-00454	NUT	1
30		700-00454	NUT	5
31		700-00615	WASHER	5
32		700-00217	CONNECTING LOOP	5
33		700-00216	SPONGY CUSHION	5
34		700-00215	COILING SEAT	5
35		700-00191	FIXED PLATE	4
36		700-00589	M_SCREW	4

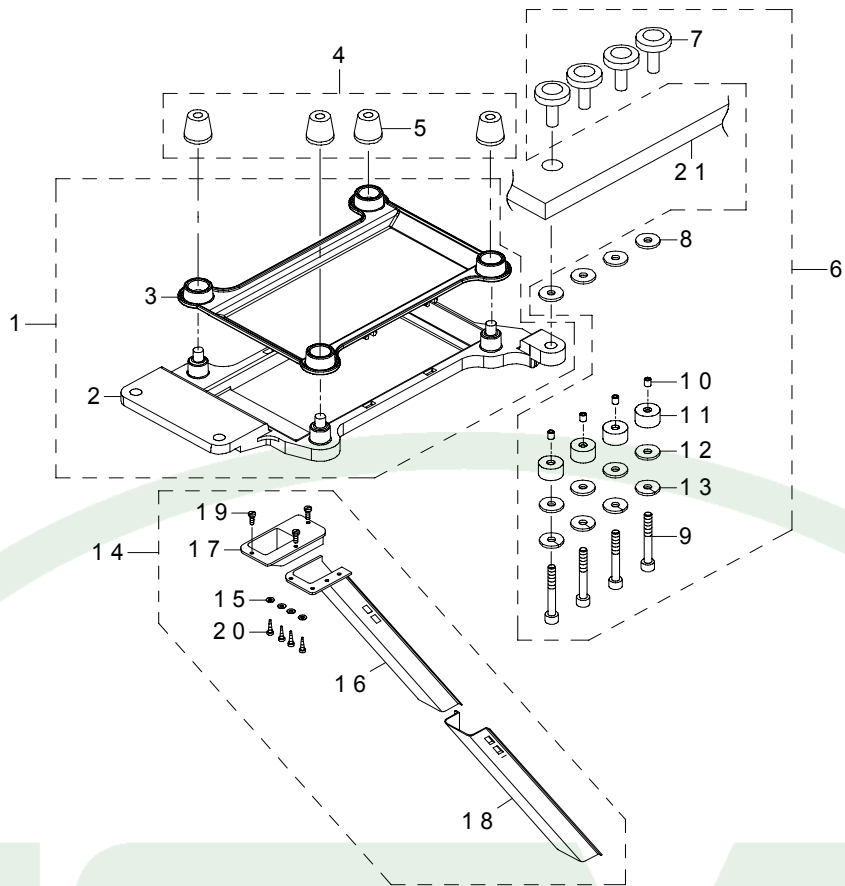


20. THREAD STAND COMPONENTS (FOR MO-6843S)



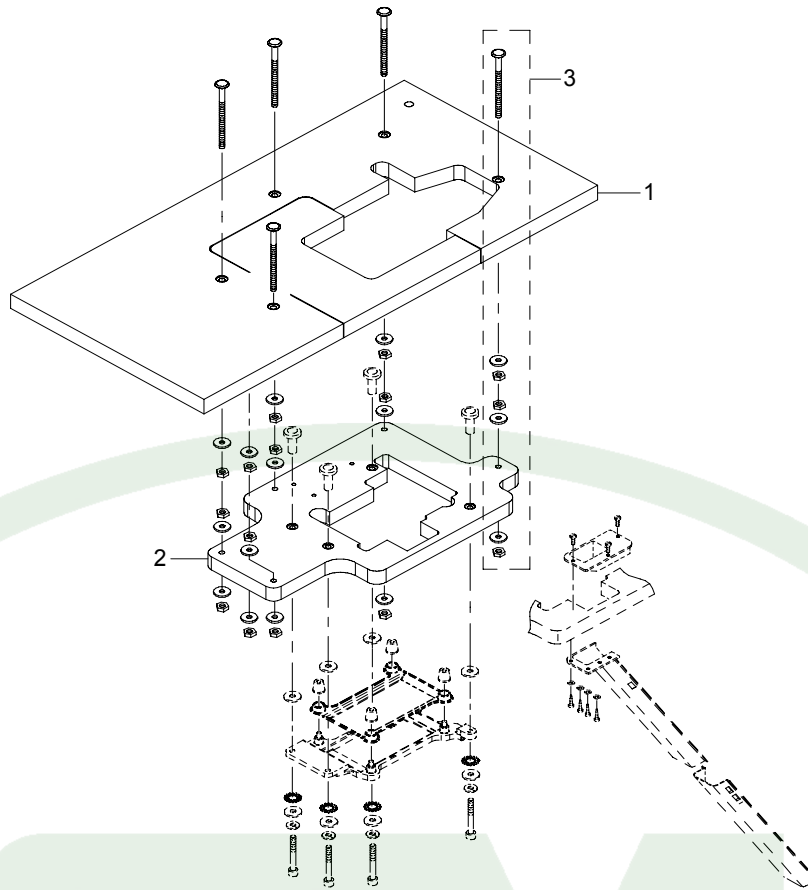
REF.NO	NOTE	PART NO	DESCRIPTION	Qty
1		700-00177	THREAD GUIDE BAR	1
2		700-00179	THREAD GUIDE BAR	1
3		700-00180	FIXED SEAT	1
4		700-00181	FIXED SEAT	1
5		700-00182	THREAD GUIDE BAR	1
6		700-00183	THREAD GUIDE BAR	1
7		700-00186	SUPPORTER	1
8		700-00187	SUPPORTER	1
9		700-00188	THREAD STAND ROD	1
10		700-00189	THREAD STAND COVER	1
11		700-00190	THREAD STAND ROD	1
12		700-00192	CONNECTING LOOP	1
13		700-00354	WASHER	2
14		700-00454	NUT	2
15		700-00455	NUT	1
16		700-00547	E_SCREW	1
17		700-00579	M_SCREW	1
18		700-00580	M_SCREW	1
19		700-00581	M_SCREW	1
20		700-00618	WASHER	1
21		700-00219	PLUG	6
22		700-00456	NUT	4
23		700-00580	M_SCREW	1
24		700-00580	M_SCREW	1
25		700-00454	NUT	2
26		700-00611	WASHER	4
27		700-00218	THREAD STEADY BALL SEAT	6
28		700-00454	NUT	2
29		700-00454	NUT	6
30		700-00615	WASHER	6
31		700-00217	CONNECTING LOOP	6
32		700-00216	SPONGY CUSHION	6
33		700-00215	COILING SEAT	6
34		700-00183	THREAD GUIDE BAR	1
35		700-00182	THREAD GUIDE BAR	1
36		700-00547	E_SCREW	1
37		700-00581	M_SCREW	1
38		700-00191	FIXED PLATE	4
39		700-00589	M_SCREW	4

## 21. SEMI-SUNKEN TYPE TABLE COMPONENTS



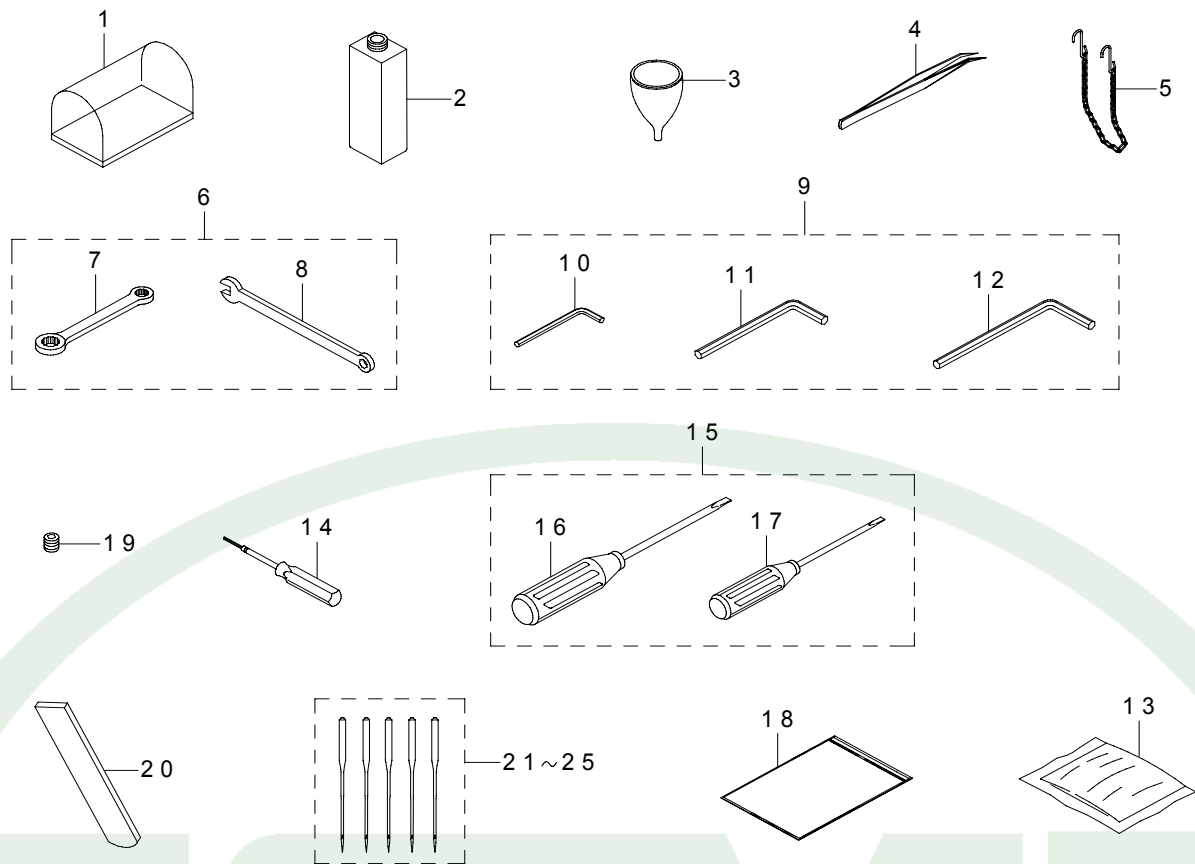
REF.NO	NOTE	PART NO	DESCRIPTION	Qty
1		700-00264	CHASSIS	1
2		700-00263	CHASSIS PAD	(1)
3		700-00438	RUBBER PAD	(1)
4		700-00340	RUBBER BLOCK	1
5		700-00338	RUBBER BLOCK	(4)
6		700-00265	BOLT COMB.	1
7		700-00332	FIXED SHAFT	(4)
8		700-00339	RUBBER BLOCK	(4)
9		700-00707	BOLT	(4)
10		401-59780	GASKET	(4)
11		401-59781	GASKET	(4)
12		700-00348	WASHER	(4)
13		700-00617	WASHER	(4)
14		700-00484	WASTE FABRIC CHUTE COMB.	1
15		700-00352	WASHER	(4)
16		700-00482	WASTE FABRIC CHUTE	(1)
17		700-00483	WASTE FABRIC CHUTE	(1)
18		700-00485	WASTE FABRIC CHUTE	(1)
19		700-00540	E_SCREW	(3)
20		700-00541	E_SCREW	(4)
21		700-00854	TABLE	1

## 22. FULLY-SUNKEN TYPE TABLE COMPONENTS



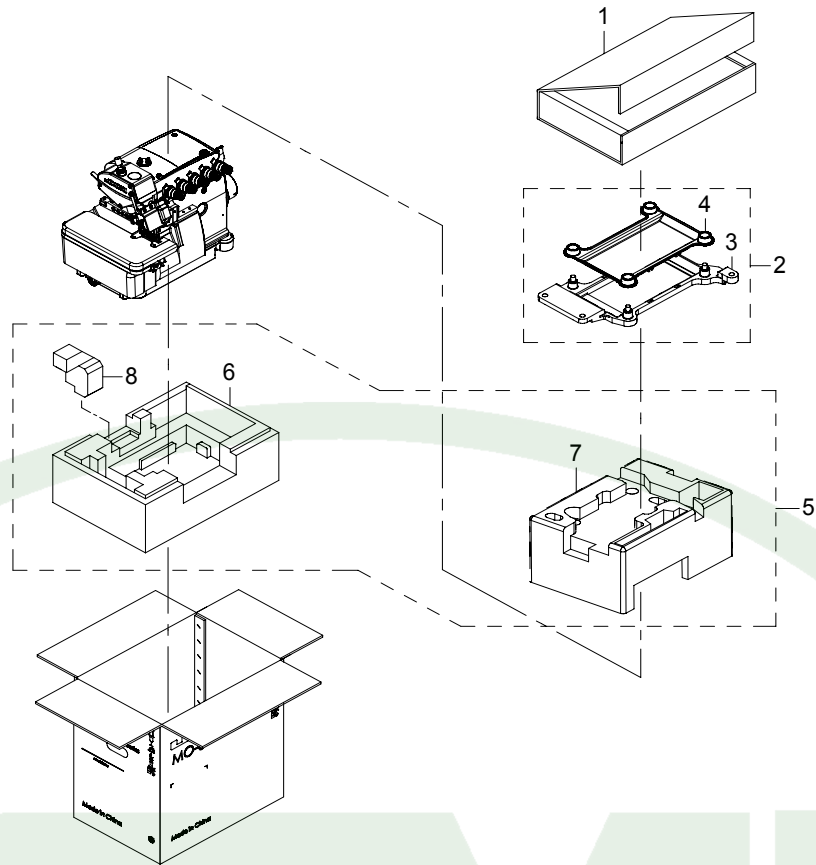
REF.NO	NOTE	PART NO	DESCRIPTION	Qty
1		700-00444	TABLE	1
2		700-00706	FIXED TABLE	1
3	#01	700-00884	BOLT ASM.	1
	NOTE		#01....FIVE PARTS ENCLOSED WITH THE DOTTED LINE ARE ENCLOSED	

## 23. ACCESSORIES PARTS COMPONENTS



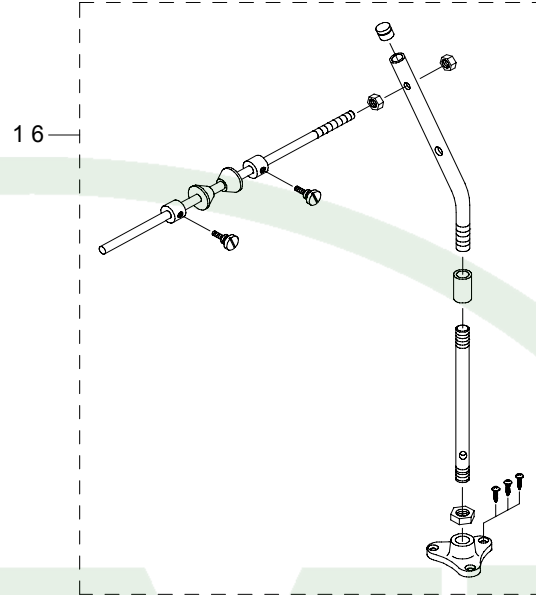
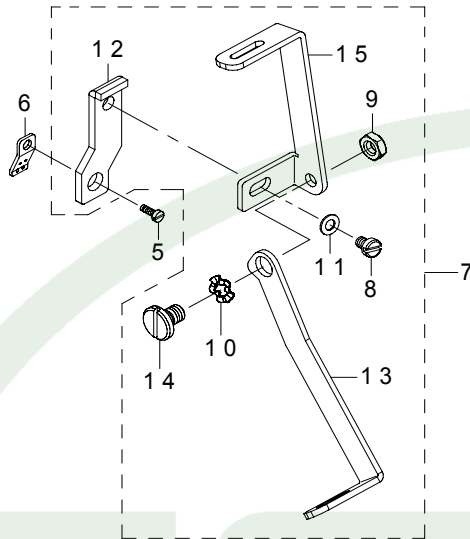
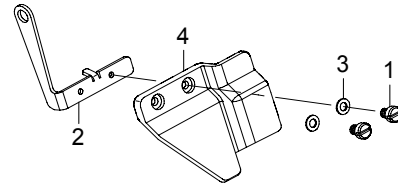
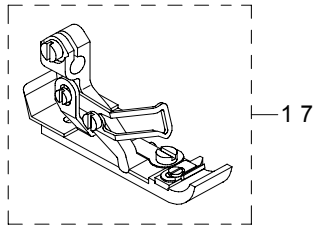
REF.NO	NOTE	PART NO	DESCRIPTION	Qty
1		401-59786	HEAD COVER	1
2		401-59785	OIL POT	1
3		700-00757	FUNNEL	1
4		700-00759	TWEEZERS	1
5		700-00760	CHAIN	1
6		401-59796	SPANNER COMB.	1
7		401-59794	RING SPANNER	(1)
8		401-59795	SPANNER	(1)
9		401-59793	HEXAGONAL ROD SPANNER KEY COMB.	1
10		401-59789	HEXAGONAL ROD SPANNER KEY	(1)
11		401-59790	HEXAGONAL ROD SPANNER KEY	(1)
12		401-59791	HEXAGONAL ROD SPANNER KEY	(1)
13		700-00763	DESICCATIVE	1
14		700-00758	HEXAGON SCREWDRIVER	1
15		401-59792	SCREW DRIVER COMB.	1
16		401-59787	SCREW DRIVER	(1)
17		401-59788	SCREW DRIVER	(1)
18		700-00761	TOOL BAG	1
19		700-00498	E SCREW	1
20		700-00399	KNIFE	1
21		MDC-270B1105	NEEDLE DCX27 #11-5	1
22	#01	MDC-270B0805	NEEDLE DCX27 #8-5	1
23	#02	MDC-270B0905	NEEDLE DCX27 #9-5	1
24	#03	MDC-270B1405	NEEDLE DCX27 #14-5	1
25	#04	MDC-270B1605	NEEDLE DCX27 #16-5	1
		NOTE	#01....FOR O4S-150 #02....FOR 14S-24H #03....FOR 14S-44H,43S #04....FOR 16S-50H	

## 24. PACKING COMPONENTS



REF.NO	NOTE	PART NO	DESCRIPTION	Qty
1		401-59800	THREAD STAND	1
2		700-00264	CHASSIS	1
3		700-00263	CHASSIS	(1)
4		700-00438	RUBBER PAD	(1)
5		401-59803	POLYSTYRENE	1
6		700-00767	POLYSTYRENE	(1)
7		401-59801	POLYSTYRENE	(1)
8		401-59802	POLYSTYRENE	(1)

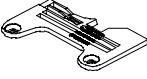
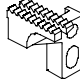
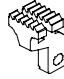
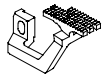
## 25. TAPE INSERTION COMPONENTS







REF.NO	NOTE	PART NO	DESCRIPTION	Qty
1		700-00908	M_SCREW	2
2		401-59574	SAFETY PLATE BRACKET	1
3		401-59576	WASHER	2
4		401-59810	SAFETY PLATE	1
5		700-00549	E_SCREW	1
6		401-59645	THREAD GUIDE PLATE	1
7		401-59815	TAPE GUIDE COMB.	1
8		700-00908	M_SCREW	(1)
9		700-00452	NUT	(1)
10		700-00359	WASHER	(1)
11		401-59576	WASHER	(1)
12		401-59811	TAPE GUIDE	(1)
13		401-59813	TAPE GUIDE	(1)
14		401-59814	E_SCREW	(1)
15		401-59812	TAPE GUIDE	(1)
16	#01	401-59816	TAPE GUIDE BAR	1
17		401-59817	PRESSER FOOT	1
		NOTE	#01.....OPTIONAL PARTS	



## 26. MO-6800S GAUGE TABLE

				
MODEL	THROAT PLATE	FEED DOG	FEED DOG	FEED DOG
MO-6804S-0E4-30H	401-59827	401-59820	700-00782	401-59836
MO-6804S-0A4-150	401-59825	401-59820	700-00784	401-59836
MO-6814S-BD6-30H	401-59828	401-59822	700-00782	401-59837
MO-6814S-BE6-40H	401-59829	401-59822	700-00782	401-59837
MO-6814S-BD6-24H/G44/Q143	401-59828	401-59822	700-00782	401-59837
MO-6814S-BE6-24H/G44/Q143	401-59829	401-59822	700-00782	401-59837
MO-6814S-BE6-44H/G44/Q143	401-59829	401-59822	700-00782	401-59837
MO-6816S-DE6-30H	401-59830	401-59821	700-00782	401-59838
MO-6816S-FF6-30H	401-59831	401-59821	700-00782	401-59838
MO-6816S-FF6-50H	401-59834	401-59821	700-00782	401-59839
MO-6816S-FH6-50H	401-59835	401-59821	700-00782	401-59839
MO-6843S-1D6-40H	401-59832	401-59821	700-00782	401-59839
MO-6843S-2D6-40H	401-59833	401-59821	700-00782	401-59839
MO-6845S-FF6-360-N075	401-59826	401-59823	401-59824	401-59840

				
MODEL	PRESSER FOOT	LOOPER	NEEDLE CLAMP	NEEDLE
MO-6804S-0E4-30H	401-59844	700-00798	700-00801	DCX27#11
MO-6804S-0A4-150	401-59842	700-00798	700-00801	DCX27#8
MO-6814S-BD6-30H	401-59843	700-00238	700-00802	DCX27#11*2
MO-6814S-BE6-40H	401-59843	700-00798	700-00802	DCX27#11*2
MO-6814S-BD6-24H/G44/Q143	401-59817	700-00238	700-00802	DCX27#9*2
MO-6814S-BE6-24H/G44/Q143	401-59817	700-00238	700-00802	DCX27#9*2
MO-6814S-BE6-44H/G44/Q143	401-59817	700-00799	700-00802	DCX27#14*2
MO-6816S-DE6-30H	401-59850	700-00238	700-00803	DCX27#11*2
MO-6816S-FF6-30H	401-59849	700-00238	700-00804	DCX27#11*2
MO-6816S-FF6-50H	401-59849	700-00799	700-00804	DCX27#16*2
MO-6816S-FH6-50H	401-59849	700-00799	700-00804	DCX27#16*2
MO-6843S-1D6-40H	401-59847	700-00238	700-00805	DCX27#11*3
MO-6843S-2D6-40H	401-59848	700-00238	700-00806	DCX27#11*3
MO-6845S-FF6-360-N075	401-59845		401-59841	DCX27#14*2

NUMERICAL INDEX OF PARTS

PART NO	PAGE	REF NO	PART NO	PAGE	REF NO	PART NO	PAGE	REF NO	PART NO	PAGE	REF NO
*****	2	6	401-59602	8	22	401-59676	14	72	401-59785	43	2
*****	6	25	401-59603	8	28	401-59676	24	33	401-59786	43	1
*****	12	31	401-59604	8	3	401-59677	14	73	401-59787	43	16
*****	12	32	401-59605	8	4	401-59678	14	10	401-59788	43	17
*****	12	33	401-59606	8	1	401-59679	14	55	401-59789	43	10
*****	12	40	401-59607	8	2	401-59680	14	56	401-59790	43	11
*****	12	41	401-59608	8	12	401-59681	14	43	401-59791	43	12
*****	12	42	401-59615	10	1	401-59682	14	44	401-59792	43	15
*****	12	62	401-59617	10	8	401-59683	14	61	401-59793	43	9
*****	14	41	401-59618	10	7	401-59684	14	8	401-59794	43	7
*****	24	1	401-59619	10	21	401-59684	16	22	401-59795	43	8
*****	24	49	401-59620	10	30	401-59691	16	3	401-59796	43	6
*****	24	50	401-59625	12	65	401-59692	16	1	401-59800	44	1
*****	28	54	401-59626	12	60	401-59693	16	16	401-59801	44	7
*****	28	57	401-59627	12	74	401-59694	16	2	401-59802	44	8
*****	28	61	401-59628	12	58	401-59700	22	25	401-59803	44	5
*****	28	70	401-59629	12	27	401-59701	22	27	401-59810	45	4
			401-59630	12	53	401-59702	22	16	401-59811	45	12
MDC-270B0805	43	22	401-59631	12	75	401-59703	22	17	401-59812	45	15
MDC-270B0905	43	23	401-59632	12	78	401-59703	28	27	401-59813	45	13
MDC-270B1105	43	21	401-59632	12	88	401-59704	22	18	401-59814	45	14
MDC-270B1405	43	24	401-59632	12	94	401-59704	28	30	401-59815	45	7
MDC-270B1605	43	25	401-59632	12	101	401-59705	22	19	401-59816	45	16
			401-59632	12	109	401-59706	22	20	401-59817	45	17
401-59531	2	23	401-59633	12	83	401-59707	22	1			
401-59531	6	2	401-59634	12	79	401-59708	22	38	700-00130	8	14
401-59532	2	24	401-59634	12	89	401-59709	22	32	700-00131	22	14
401-59533	2	25	401-59634	12	95	401-59715	24	35	700-00131	22	56
401-59534	2	3	401-59634	12	102	401-59716	24	15	700-00131	28	32
401-59537	2	26	401-59634	12	110	401-59717	24	13	700-00132	24	58
401-59538	2	27	401-59635	12	90	401-59719	24	57	700-00133	24	14
401-59539	2	28	401-59635	12	96	401-59725	26	14	700-00134	10	18
401-59540	2	29	401-59635	12	103	401-59726	26	28	700-00135	24	23
401-59551	4	31	401-59636	12	81	401-59727	26	21	700-00136	6	12
401-59552	4	18	401-59636	12	91	401-59728	26	20	700-00137	22	53
401-59553	4	19	401-59636	12	97	401-59729	26	18	700-00138	24	20
401-59554	4	20	401-59636	12	105	401-59730	26	34	700-00139	18	2
401-59555	4	9	401-59636	12	112	401-59732	26	19	700-00140	22	2
401-59556	4	8	401-59639	12	82	401-59733	26	39	700-00141	10	35
401-59557	4	1	401-59639	12	92	401-59734	26	11	700-00141	24	25
401-59558	4	13	401-59639	12	98	401-59734	26	32	700-00141	28	6
401-59559	4	14	401-59639	12	106	401-59741	28	60	700-00141	28	16
401-59560	4	15	401-59639	12	108	401-59742	28	4	700-00142	28	8
401-59561	4	17	401-59640	12	77	401-59743	28	7	700-00142	28	11
401-59562	4	6	401-59641	12	87	401-59744	28	5	700-00143	8	34
401-59563	4	7	401-59642	12	93	401-59745	28	1	700-00144	30	15
401-59564	4	10	401-59642	12	99	401-59746	28	2	700-00145	8	19
401-59565	4	11	401-59643	12	107	401-59748	28	31	700-00145	8	32
401-59571	6	1	401-59644	12	76	401-59749	28	26	700-00146	30	33
401-59572	6	3	401-59645	12	1	401-59750	28	33	700-00147	24	19
401-59576	6	4	401-59645	45	6	401-59751	28	42	700-00148	30	51
401-59573	6	5	401-59646	12	10	401-59752	28	38	700-00148	30	52
401-59574	6	8	401-59647	12	16	401-59753	28	10	700-00149	8	35
401-59574	45	2	401-59648	12	18	401-59754	28	35	700-00150	24	56
401-59575	6	7	401-59649	12	64	401-59760	30	8	700-00151	24	53
401-59576	6	10	401-59650	12	6	401-59761	30	26	700-00152	24	54
401-59576	45	3	401-59651	12	17	401-59762	30	23	700-00157	30	24
401-59576	45	11	401-59652	12	48	401-59763	30	39	700-00158	30	25
401-59577	6	6	401-59653	12	54	401-59764	30	32	700-00159	30	28
401-59578	6	13	401-59654	12	55	401-59765	30	50	700-00160	30	27
401-59579	6	11	401-59655	12	56	401-59765	30	53	700-00161	6	14
401-59580	6	18	401-59656	12	100	401-59768	32	4	700-00162	22	33
401-59581	6	19	401-59657	12	104	401-59769	32	5	700-00164	12	7
401-59582	6	16	401-59658	10	32	401-59770	32	6	700-00168	12	22
401-59583	6	17	401-59665	14	74	401-59771	32	7	700-00169	12	19
401-59584	6	21	401-59666	14	70	401-59772	32	1	700-00171	12	13
401-59585	6	26	401-59667	14	79	401-59773	32	12	700-00172	20	2
401-59586	6	32	401-59668	14	78	401-59774	32	9	700-00173	12	3
401-59587	6	33	401-59669	14	77	401-59775	32	2	700-00174	12	11
401-59589	6	42	401-59670	14	57	401-59776	32	8	700-00175	16	10
401-59590	6	30	401-59671	14	47	401-59777	32	11	700-00176	28	50
401-59591	6	38	401-59672	14	48	401-59778	32	10	700-00177	38	1
401-59592	6	39	401-59673	14	54	401-59779	32	13	700-00177	40	1
401-59593	6	27	401-59674	14	52	401-59780	41	10	700-00178	34	1
401-59601	8	23	401-59675	14	42	401-59781	41	11	700-00178	36	1

NUMERICAL INDEX OF PARTS

PART NO	PAGE	REF NO	PART NO	PAGE	REF NO	PART NO	PAGE	REF NO	PART NO	PAGE	REF NO
700-00179	34	2	700-00217	38	32	700-00311	28	12	700-00390	20	18
700-00179	36	2	700-00217	40	31	700-00312	30	17	700-00391	20	11
700-00179	38	2	700-00218	34	16	700-00314	8	41	700-00392	20	12
700-00179	40	2	700-00218	36	28	700-00317	18	3	700-00393	20	13
700-00180	34	3	700-00218	38	28	700-00317	18	36	700-00394	20	14
700-00180	36	3	700-00218	40	27	700-00317	24	45	700-00395	20	15
700-00180	38	3	700-00219	34	17	700-00318	30	41	700-00396	20	3
700-00180	40	3	700-00219	36	22	700-00319	30	40	700-00397	20	1
700-00181	34	4	700-00219	38	22	700-00322	30	49	700-00398	20	4
700-00181	36	4	700-00219	40	21	700-00322	30	62	700-00399	26	33
700-00181	38	4	700-00222	6	15	700-00323	30	10	700-00399	43	20
700-00181	40	4	700-00229	26	15	700-00323	30	66	700-00400	26	35
700-00182	34	5	700-00230	26	1	700-00324	30	60	700-00401	26	42
700-00182	36	5	700-00232	26	9	700-00325	30	11	700-00402	26	30
700-00182	38	5	700-00234	26	12	700-00326	30	2	700-00403	26	37
700-00182	40	5	700-00235	26	2	700-00326	30	21	700-00404	4	22
700-00182	40	35	700-00236	26	8	700-00327	30	1	700-00405	16	12
700-00183	34	6	700-00237	26	4	700-00328	30	19	700-00406	16	4
700-00183	36	6	700-00239	14	22	700-00329	30	9	700-00409	16	32
700-00183	38	6	700-00240	14	21	700-00332	41	7	700-00410	16	28
700-00183	40	6	700-00241	14	53	700-00334	4	5	700-00410	16	31
700-00183	40	34	700-00243	14	46	700-00335	12	70	700-00410	18	34
700-00184	36	7	700-00246	14	63	700-00336	12	67	700-00410	24	32
700-00184	38	7	700-00247	14	62	700-00337	12	66	700-00411	16	17
700-00185	36	8	700-00248	14	24	700-00338	41	5	700-00412	16	35
700-00185	38	8	700-00249	14	20	700-00339	41	8	700-00413	16	25
700-00186	34	7	700-00250	14	14	700-00340	41	4	700-00414	16	37
700-00186	36	9	700-00251	14	16	700-00341	8	26	700-00415	16	24
700-00186	38	9	700-00252	14	1	700-00342	14	64	700-00416	16	36
700-00186	40	7	700-00253	14	11	700-00343	16	33	700-00417	16	19
700-00187	40	8	700-00254	14	9	700-00344	22	3	700-00418	16	18
700-00188	34	8	700-00255	14	6	700-00345	22	4	700-00419	28	62
700-00188	36	10	700-00256	14	3	700-00346	18	4	700-00420	28	63
700-00188	38	10	700-00257	8	39	700-00346	18	37	700-00422	24	39
700-00188	40	9	700-00258	30	46	700-00346	24	46	700-00423	24	40
700-00189	34	9	700-00259	8	38	700-00347	26	16	700-00428	30	20
700-00189	36	11	700-00260	30	45	700-00348	41	12	700-00429	24	41
700-00189	38	11	700-00261	30	29	700-00349	22	5	700-00430	8	31
700-00189	40	10	700-00262	30	30	700-00350	14	40	700-00431	8	30
700-00190	34	10	700-00263	41	2	700-00351	18	22	700-00432	10	14
700-00190	36	12	700-00263	44	3	700-00352	41	15	700-00433	24	17
700-00190	38	12	700-00264	41	1	700-00353	22	15	700-00433	24	36
700-00190	40	11	700-00264	44	2	700-00354	34	18	700-00434	26	6
700-00191	34	11	700-00265	41	6	700-00354	36	14	700-00435	24	16
700-00191	36	35	700-00266	10	11	700-00354	38	14	700-00436	26	5
700-00191	38	35	700-00267	10	10	700-00354	40	13	700-00437	10	13
700-00191	40	38	700-00268	14	27	700-00355	28	34	700-00438	41	3
700-00192	34	12	700-00269	26	3	700-00356	24	29	700-00438	44	4
700-00192	36	13	700-00270	16	29	700-00357	18	5	700-00442	2	4
700-00192	38	13	700-00270	18	28	700-00358	22	57	700-00443	2	5
700-00192	40	12	700-00273	30	34	700-00359	20	5	700-00444	42	1
700-00193	14	50	700-00274	28	46	700-00359	45	10	700-00445	10	34
700-00194	14	36	700-00275	22	29	700-00361	24	10	700-00446	24	12
700-00195	14	38	700-00276	22	28	700-00362	10	17	700-00448	20	23
700-00196	14	59	700-00277	22	34	700-00363	2	1	700-00449	8	43
700-00197	14	30	700-00280	24	11	700-00365	2	2	700-00450	22	9
700-00198	14	31	700-00282	22	40	700-00368	4	2	700-00452	4	25
700-00199	16	15	700-00283	22	55	700-00369	22	23	700-00452	20	20
700-00200	14	37	700-00284	22	52	700-00370	22	22	700-00452	20	28
700-00201	14	35	700-00286	22	54	700-00372	22	6	700-00452	45	9
700-00202	14	29	700-00288	22	43	700-00373	22	7	700-00453	4	24
700-00203	12	84	700-00289	22	42	700-00374	24	4	700-00453	20	27
700-00211	12	80	700-00291	28	39	700-00375	24	5	700-00454	34	19
700-00211	12	111	700-00292	28	20	700-00379	22	8	700-00454	34	32
700-00213	12	85	700-00293	28	17	700-00380	16	6	700-00454	34	33
700-00215	34	13	700-00294	28	22	700-00380	18	24	700-00454	34	34
700-00215	36	34	700-00295	28	23	700-00381	30	35	700-00454	36	15
700-00215	38	34	700-00297	28	47	700-00382	30	36	700-00454	36	26
700-00215	40	33	700-00298	28	44	700-00383	20	22	700-00454	36	29
700-00216	34	14	700-00300	28	45	700-00384	20	9	700-00454	36	30
700-00216	36	33	700-00301	28	41	700-00385	20	25	700-00454	38	15
700-00216	38	33	700-00302	28	40	700-00386	20	24	700-00454	38	26
700-00216	40	32	700-00303	28	51	700-00387	20	6	700-00454	38	29
700-00217	34	15	700-00304	28	55	700-00388	20	16	700-00454	38	30
700-00217	36	32	700-00309	28	13	700-00389	20	17	700-00454	40	14

NUMERICAL INDEX OF PARTS

PART NO	PAGE	REF NO	PART NO	PAGE	REF NO	PART NO	PAGE	REF NO	PART NO	PAGE	REF NO
700-00454	40	25	700-00513	12	20	700-00540	41	19	700-00582	30	47
700-00454	40	28	700-00513	12	86	700-00541	41	20	700-00583	22	47
700-00454	40	29	700-00513	20	10	700-00542	22	11	700-00584	28	18
700-00455	34	20	700-00514	18	10	700-00543	2	10	700-00584	28	28
700-00455	36	16	700-00514	18	38	700-00544	2	11	700-00586	2	13
700-00455	38	16	700-00514	24	47	700-00545	14	7	700-00587	14	68
700-00455	40	15	700-00515	2	7	700-00545	16	23	700-00588	10	4
700-00456	34	21	700-00515	2	20	700-00546	8	25	700-00589	34	26
700-00456	36	23	700-00515	2	21	700-00547	34	22	700-00589	36	36
700-00456	38	23	700-00515	4	29	700-00547	36	17	700-00589	38	36
700-00456	40	22	700-00515	14	28	700-00547	38	17	700-00589	40	39
700-00458	24	30	700-00515	26	43	700-00547	40	16	700-00590	14	13
700-00458	28	19	700-00515	28	21	700-00547	40	36	700-00590	16	26
700-00458	28	29	700-00516	4	21	700-00548	24	21	700-00590	16	39
700-00460	8	13	700-00516	12	61	700-00549	12	9	700-00590	18	19
700-00461	18	16	700-00517	14	66	700-00549	45	5	700-00590	18	32
700-00462	18	18	700-00517	16	27	700-00550	2	12	700-00590	22	24
700-00463	18	6	700-00517	26	36	700-00550	12	43	700-00590	24	9
700-00464	18	7	700-00518	4	23	700-00550	12	73	700-00590	24	28
700-00465	18	15	700-00518	20	30	700-00552	22	26	700-00590	26	27
700-00466	18	17	700-00518	30	38	700-00554	8	16	700-00592	28	24
700-00467	18	8	700-00518	32	17	700-00555	6	24	700-00593	10	24
700-00469	12	44	700-00519	20	7	700-00555	12	21	700-00593	14	23
700-00470	18	31	700-00520	6	22	700-00555	12	46	700-00598	12	28
700-00471	18	30	700-00520	30	18	700-00557	20	21	700-00600	22	58
700-00472	18	35	700-00521	8	33	700-00558	24	6	700-00601	22	12
700-00473	18	26	700-00521	14	33	700-00559	12	14	700-00602	22	35
700-00474	18	23	700-00521	14	34	700-00560	14	51	700-00603	26	40
700-00475	18	20	700-00521	26	44	700-00561	18	11	700-00604	28	25
700-00476	18	21	700-00521	30	31	700-00562	8	17	700-00605	28	43
700-00477	18	33	700-00522	2	8	700-00563	4	26	700-00606	28	68
700-00478	18	9	700-00522	8	40	700-00563	6	20	700-00608	28	9
700-00479	18	1	700-00522	10	6	700-00563	20	29	700-00609	28	69
700-00480	28	64	700-00522	10	15	700-00564	8	6	700-00610	20	31
700-00481	6	28	700-00522	14	67	700-00565	8	5	700-00611	34	27
700-00482	41	16	700-00522	14	75	700-00565	8	7	700-00611	36	27
700-00483	41	17	700-00522	14	76	700-00566	28	48	700-00611	38	27
700-00484	41	14	700-00522	16	38	700-00567	12	35	700-00611	40	26
700-00485	41	18	700-00522	24	18	700-00569	6	37	700-00612	8	27
700-00490	4	4	700-00522	24	34	700-00570	6	36	700-00613	14	65
700-00493	4	28	700-00522	24	37	700-00571	20	19	700-00614	16	34
700-00494	4	27	700-00522	26	7	700-00572	12	26	700-00615	34	28
700-00495	22	10	700-00522	26	29	700-00572	24	48	700-00615	36	31
700-00496	28	65	700-00522	28	36	700-00573	6	40	700-00615	38	31
700-00497	12	68	700-00522	28	53	700-00574	4	3	700-00615	40	30
700-00497	12	72	700-00522	30	67	700-00575	30	59	700-00616	18	12
700-00498	12	8	700-00523	22	21	700-00576	20	8	700-00617	41	13
700-00498	12	15	700-00524	26	41	700-00577	4	16	700-00618	34	29
700-00498	12	34	700-00525	16	13	700-00577	6	31	700-00618	36	21
700-00498	14	15	700-00525	18	29	700-00577	6	35	700-00618	38	21
700-00498	20	26	700-00526	12	71	700-00578	10	9	700-00618	40	20
700-00498	43	19	700-00526	32	15	700-00578	26	22	700-00619	8	8
700-00499	28	66	700-00527	30	65	700-00579	34	23	700-00620	8	9
700-00500	28	56	700-00528	4	12	700-00579	36	18	700-00626	12	29
700-00500	28	72	700-00528	28	37	700-00579	38	18	700-00627	12	30
700-00501	14	32	700-00529	2	9	700-00579	40	17	700-00628	12	37
700-00501	14	39	700-00529	2	22	700-00580	34	24	700-00629	12	23
700-00502	22	44	700-00530	24	52	700-00580	34	30	700-00630	12	69
700-00503	10	33	700-00531	16	7	700-00580	34	31	700-00631	30	3
700-00503	22	39	700-00531	18	25	700-00580	36	19	700-00632	10	23
700-00504	14	58	700-00532	30	13	700-00580	36	24	700-00633	10	22
700-00505	12	57	700-00532	30	68	700-00580	36	25	700-00635	10	20
700-00505	16	11	700-00533	30	37	700-00580	38	19	700-00636	10	26
700-00505	28	3	700-00534	30	5	700-00580	38	24	700-00637	10	16
700-00505	28	71	700-00535	8	10	700-00580	38	25	700-00638	10	25
700-00506	16	14	700-00536	8	24	700-00580	40	18	700-00639	10	19
700-00508	8	21	700-00537	28	67	700-00580	40	23	700-00640	10	3
700-00508	18	27	700-00538	14	49	700-00580	40	24	700-00643	10	2
700-00508	24	55	700-00538	28	52	700-00581	34	25	700-00646	10	5
700-00509	24	2	700-00538	28	59	700-00581	36	20	700-00652	12	25
700-00509	24	51	700-00538	28	73	700-00581	38	20	700-00653	12	24
700-00510	26	17	700-00539	14	4	700-00581	40	19	700-00654	10	29
700-00511	16	9	700-00539	14	5	700-00581	40	37	700-00657	30	42
700-00512	22	13	700-00539	16	20	700-00582	22	30	700-00657	30	61
700-00513	12	2	700-00539	16	21	700-00582	22	50	700-00657	30	63

NUMERICAL INDEX OF PARTS

PART NO	PAGE	REF NO	PART NO	PAGE	REF NO	PART NO	PAGE	REF NO	PART NO	PAGE	REF NO
700-00657	30	64	700-00745	6	23						
700-00658	30	4	700-00748	14	26						
700-00658	30	7	700-00749	14	25						
700-00658	30	12	700-00750	8	29						
700-00658	30	22	700-00751	16	8						
700-00658	32	3	700-00752	16	30						
700-00658	32	14	700-00753	2	18						
700-00659	2	14	700-00754	2	19						
700-00660	6	29	700-00755	4	30						
700-00661	14	17	700-00757	43	3						
700-00662	22	36	700-00758	43	14						
700-00664	28	14	700-00759	43	4						
700-00665	22	41	700-00760	43	5						
700-00666	22	31	700-00761	43	18						
700-00667	16	5	700-00763	43	13						
700-00669	28	15	700-00767	44	6						
700-00670	2	15	700-00807	14	71						
700-00671	2	16	700-00812	14	60						
700-00672	2	17	700-00813	26	38						
700-00673	28	49	700-00820	6	41						
700-00674	30	16	700-00822	12	5						
700-00675	30	14	700-00827	12	45						
700-00676	10	31	700-00828	12	38						
700-00677	10	12	700-00829	12	39						
700-00678	14	45	700-00831	12	36						
700-00679	14	69	700-00832	12	4						
700-00681	24	8	700-00833	12	12						
700-00682	24	27	700-00834	14	12						
700-00683	24	3	700-00835	14	2						
700-00684	24	7	700-00841	26	26						
700-00685	24	26	700-00842	26	24						
700-00686	24	42	700-00843	26	13						
700-00688	24	31	700-00844	26	10						
700-00689	24	43	700-00845	26	31						
700-00693	30	6	700-00847	12	50						
700-00694	8	18	700-00848	12	51						
700-00694	22	51	700-00849	12	49						
700-00695	8	37	700-00850	12	63						
700-00696	8	42	700-00854	41	21						
700-00697	18	13	700-00884	42	3						
700-00698	22	37	700-00885	12	52						
700-00699	8	36	700-00887	12	47						
700-00700	8	20	700-00908	6	9						
700-00701	8	15	700-00908	45	1						
700-00703	18	14	700-00908	45	8						
700-00704	12	59	700-01060	32	16						
700-00706	42	2									
700-00707	41	9									
700-00710	30	57									
700-00711	30	58									
700-00712	30	55									
700-00713	30	48									
700-00714	30	54									
700-00715	30	44									
700-00716	30	43									
700-00717	30	56									
700-00720	26	25									
700-00721	26	23									
700-00728	10	27									
700-00728	14	18									
700-00729	10	28									
700-00729	14	19									
700-00731	24	38									
700-00732	24	44									
700-00733	24	24									
700-00734	24	22									
700-00735	28	58									
700-00735	28	74									
700-00736	6	43									
700-00737	8	11									
700-00738	22	48									
700-00739	22	49									
700-00740	22	46									
700-00741	22	45									
700-00744	6	34									







**JUKI**<sup>®</sup>

**JUKI CORPORATION**

SEWING MACHINERY BUSINESS UNIT  
2-11-1, TSURUMAKI, TAMA-SHI,  
TOKYO, 206-8551, JAPAN  
PHONE:(81)42-357-2371  
FAX:(81)42-357-2274

Copyright© 2014 JUKI CORPORATION  
All rights reserved throughout the world.

To order or for further  
information,  
please contact:

\*The description covered in this parts list is subject to change for improvement of the commodity without notice.  
\*This parts list is edited in accordance with the product specifications as of December 2014.

Printed in China