

MODEL : MO-6700S-0E4/MO-6714S-BE/MO-6716S-DE4

List No : 1329-06

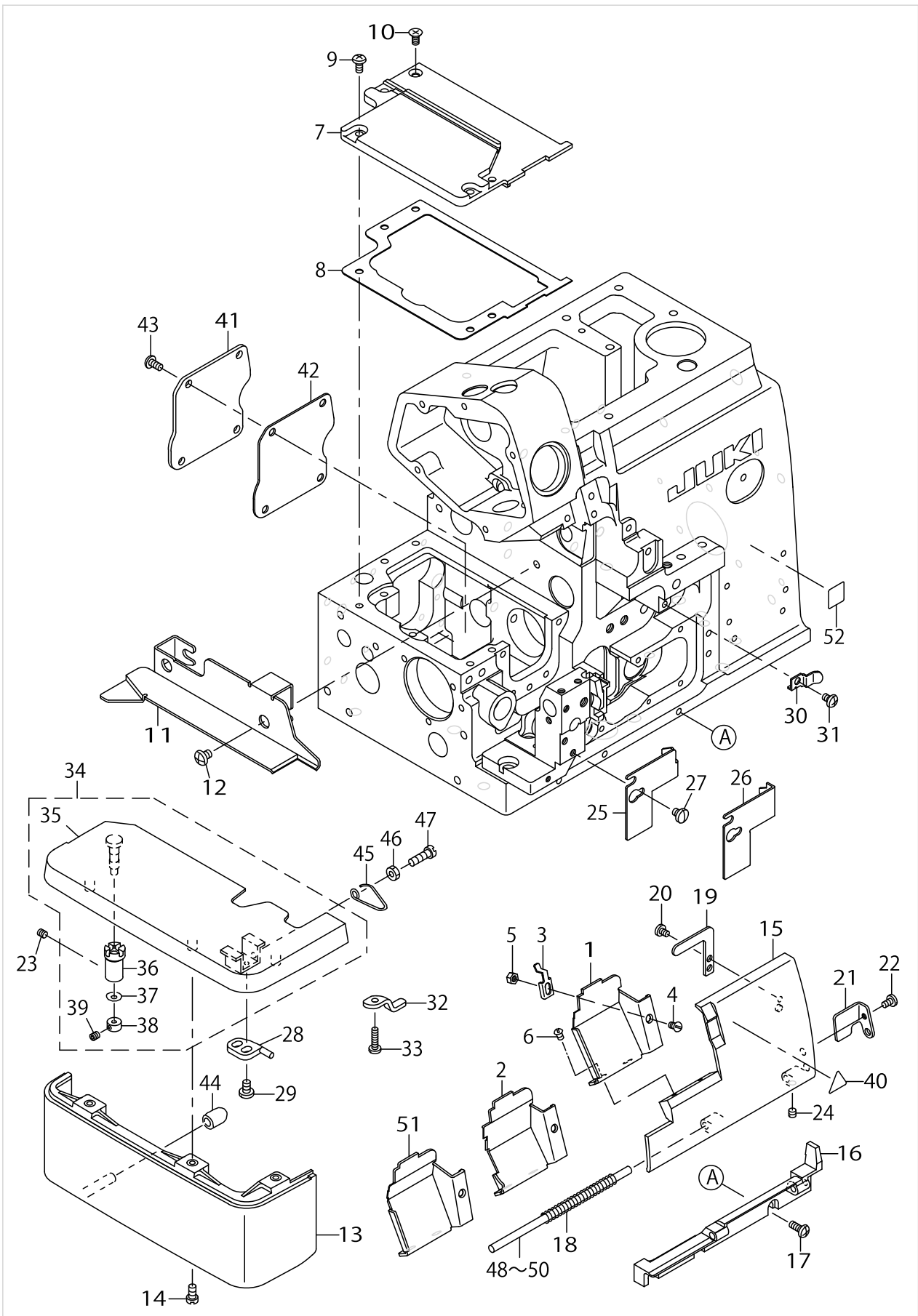
PARTS LIST

Published:06/02/2017

CONTENTS

MISCELLANEOUS COVER COMPONENTS (1).....	1
MISCELLANEOUS COVER COMPONENTS (2).....	5
CRANKSHAFT COMPONENTS	9
NEEDLE DRIVING SHAFT COMPONENTS.....	13
FEED MECHANISM COMPONENTS (1).....	17
FEED MECHANISM COMPONENTS (2).....	19
UPPER & LOWER LOOPER COMPONENTS.....	23
CHAIN LOOPER COMPONENTS (FOR MO-6716S).....	27
PRESSER FOOT COMPONENTS (1).....	29
PRESSER FOOT COMPONENTS (2).....	33
THREAD TENSION COMPONENTS	37
LOWER KNIFE COMPONENTS.....	41
UPPER KNIFE COMPONENTS	45
NEEDLE COOLING MECHANISM COMPONENTS (FOR SH)	47
LUBRICATION MECHANISM COMPONENTS.....	49
SEMI-SUNKEN TYPE TABLE COMPONENTS.....	53
FULLY-SUNKEN TYPE TABLE COMPONENTS.....	55
STAND COMPONENTS (Z·T).....	57
THREAD STAND COMPONENTS (FOR MO-6704S,MO-6714S)	59
THREAD STAND COMPONENTS (MO-6704S,MO-6714S SPECIAL ORDER PARTS).....	61
THREAD STAND COMPONENTS (FOR MO-6716S).....	63
THREAD STAND COMPONENTS (MO-6716S SPECIAL ORDER PARTS).....	65
SPECIAL ORDER PARTS COMPONENTS.....	67
ACCESSORIES PARTS COMPONENTS	71
LIST FOR INFORMATION OF CHANGE.....	73
HOW TO MAKE USE OF THIS PARTS LIST	74

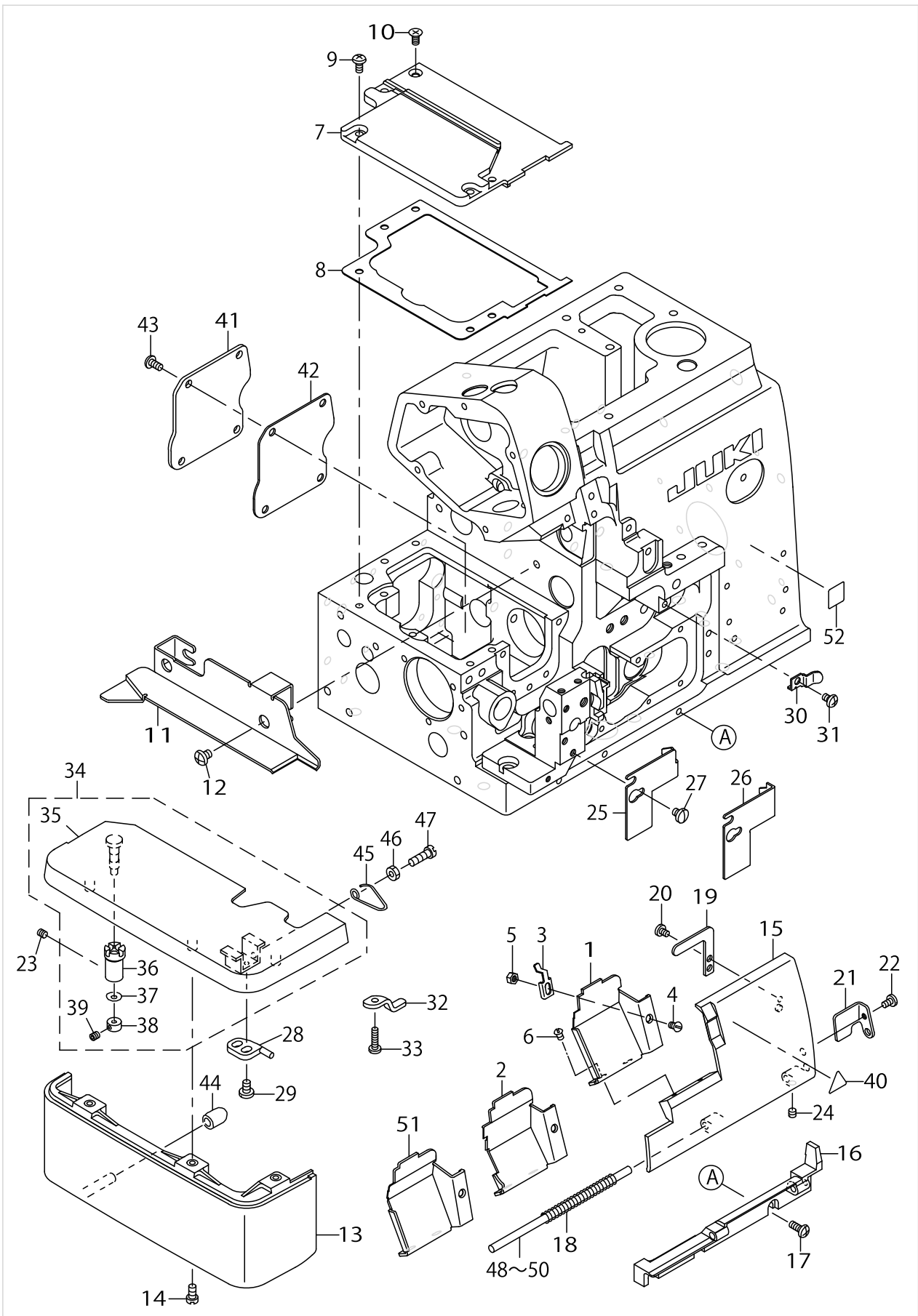
MISCELLANEOUS COVER COMPONENTS (1)



MISCELLANEOUS COVER COMPONENTS (1)

No.	Supply Code	Parts No.	Replacement	Parts name	Remarks	Choice	Step	Level	Cons	Qty	Rep. QTY
1		13104005		CLOTH WASTE COVER	FOR MO-6-704S,MO-6-714S (EXCEPT TYPE SH)					1	
2		13104203		CLOTH WASTE COVER	FOR MO-6716S					1	
3		13102405		CROTH WASTE COVER STOPPER						1	
4		SS2090520SL		SCREW 9/64-40 L=5						1	
5		NS6090310SN		NUT 9/64-40						1	
6		SS3090610SP		SCREW 9/64-40 L=6						2	
7		13200704		FEED MECHANISM COVER						1	
8		13200803		FEED MECHANISM COVER GASKET						1	
9		SM4040855SP		SCREW						4	
10		SM1040801SC		SCREW M4X0.7 L=8						1	
11	R	12342101	13102306	CLOTH BASE SIDE COVER						1	1.00
12		SS4120615SP		SCREW 3/16-28 L=6						2	
13		13103809		CLOTH BASE COVER						1	
14		SS4091015SP		SCREW 9/64-40 L=10						2	
15		13100904		LOOPER COVER						1	
16		13100805		LOOPER COVER BRACKET						1	
17		SM4041055SP		SCREW M4 L=10						3	
18		13101209		LOOPER COVER SPRING						1	
19		13101407		LOOPER COVER PRESSER PLATE						1	
20		SS7090530SP		SCREW 9/64-40 L=4.5						1	
21		13101001		LOOPER COVER GUIDE PLATE						1	
22		SS7090610SP		SCREW 9/64-40 L=6						1	
23		SS8110410TP		SCREW 11/64-40 L=3.5						1	
24		SS8110410TP		SCREW 11/64-40 L=3.5						1	
25		13101506		CLOTH WASTE COVER LEFT	FOR MO-6-704S,MO-6714S					1	
26		13101605		CLOTH WASTE COVER LEFT	FOR MO-6716S					1	
27		SS7110510SP		SCREW 11/64-40 L=5						2	
28		13101704		CLOTH BASE SWITCH-TYPE STOPPER						1	
29		SS7110710SP		SCREW 11/64-40 L=7						2	
30		13101308		LOOPER COVER PRESSER SPRING						1	
31		SM4040655SP		SCREW M4 L=6						1	
32		13101803		CROTH BASE SUPPORT PLATE						1	
33		SS7091410SP		SCREW 9/64-40 L=13.5						1	
34		13103650		CLOTH BASE Cmpl.						1	
35	R	13102058	13103650	CLOTH BASE ASM.					*	1	1.00
36		13101902		CLOTH BASE ECCE-NTRIC BUSHING					*	1	
37		WZ0420350KP		DISC SPRING					*	1	
38		13172903		CLOTH BASE HINGE SHAFT COLLAR					*	1	
39		SM8040302TP		SETSCREW					*	1	
40		CM300200001		ATTENTION SEAL						1	
41		40102307		ADJUSTING_HOLE_COVER						1	
42		13201603		ADJUSTING HOLE COVER GASKET						1	
43		SM4040855SP		SCREW						4	

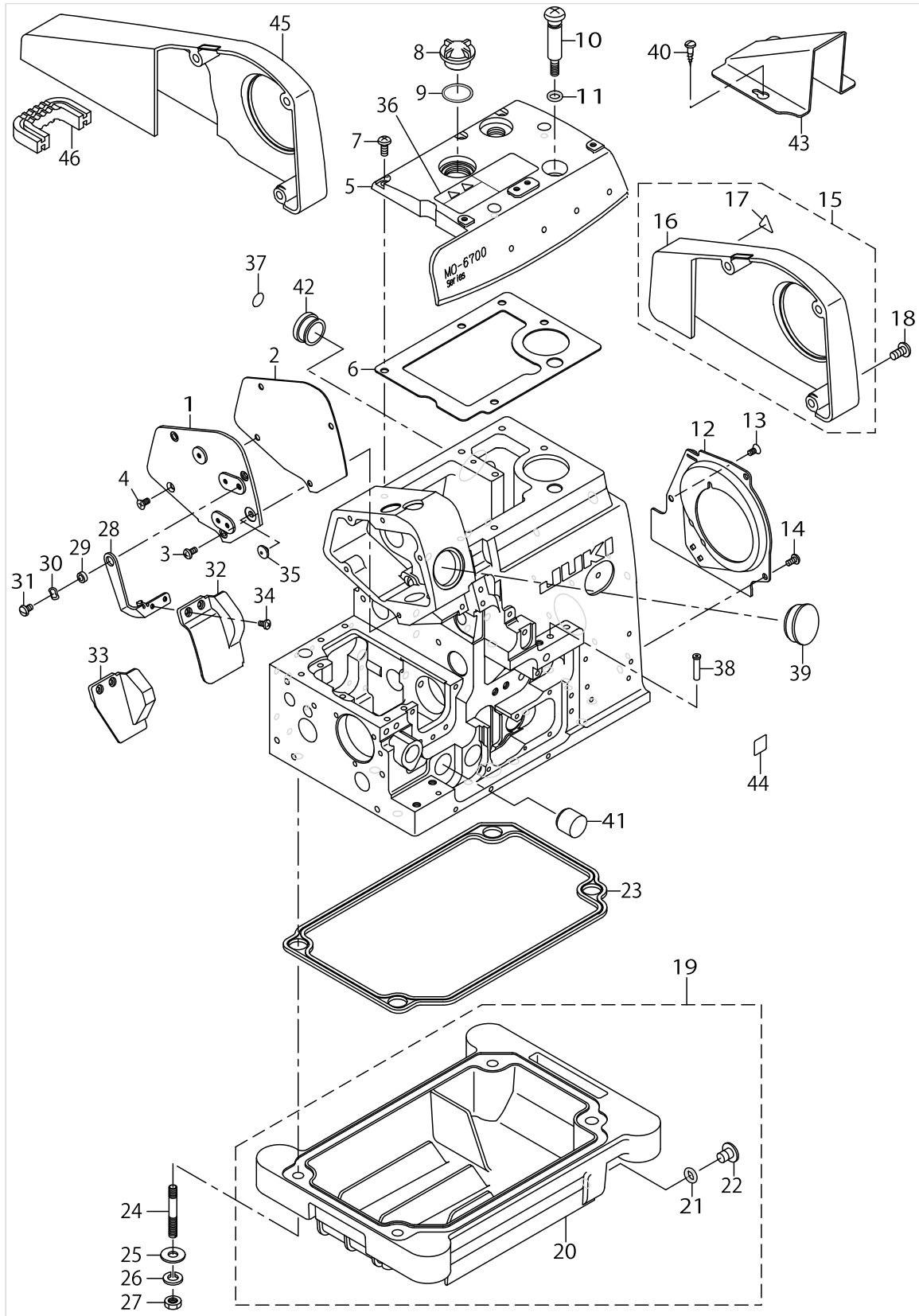
MISCELLANEOUS COVER COMPONENTS (1)



MISCELLANEOUS COVER COMPONENTS (1)

No.	Supply Code	Parts No.	Replacement	Parts name	Remarks	Choice	Step	Level	Cons	Qty	Rep. QTY
44		13104302		CLOTH BASE COVER RUBBER PLUG						1	
45		13102207		CLOTH BASE SWITCH-TYPE SPRING						1	
46		NS6110420SP		NUT 11/64-40						1	
47		SS6111440SP		SCREW 11/64-40 L=14.0						1	
48		13240007		LOOPER COVER HINGE SHAFT A	SELECTIVE PARTS					1	
49		13240106		LOOPER COVER HINGE SHAFT B	SELECTIVE PARTS					1	
50		13240205		LOOPER COVER HINGE SHAFT C	SELECTIVE PARTS					1	
51		13104104		CLOTH WASTE COVER	FOR MO-6-704S.MO-6-714S (FOR TYPE SH)					1	
52		40150131		EAC_MARK_LABEL_S	FOR JE					1	

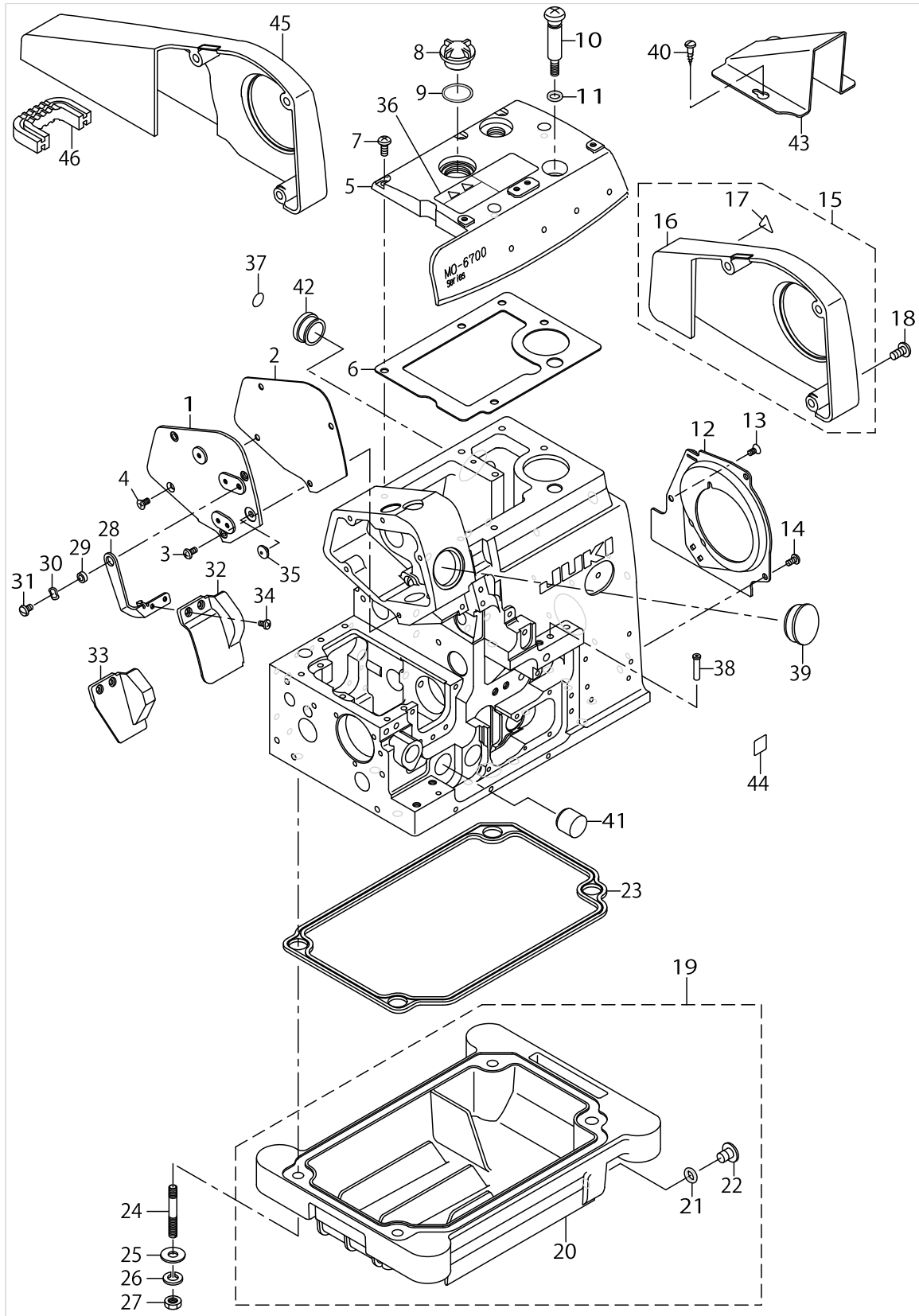
MISCELLANEOUS COVER COMPONENTS (2)



MISCELLANEOUS COVER COMPONENTS (2)

No.	Supply Code	Parts No.	Replacement	Parts name	Remarks	Choice	Step	Level	Cons	Qty	Rep. QTY
1		13200209		SIDE COVER						1	
2		13200308		SIDE COVER GASKET						1	
3		SM4040855SP		SCREW						3	
4		SM1040801SC		SCREW M4X0.7 L=8						1	
5		13200506		UPPER COVER						1	
6		13200605		UPPER COVER GASKET						1	
7		SM4051255SP		SCREW M5 L=12						5	
8		22924708		OIL SIGHT WINDOW						1	
9		13170006		RUBBER RING						1	
10		13104500		OIL DRAIN SCREW						1	
11		13170204		RUBBER RING						1	
12		13201009		COOLING FAN PLATE						1	
13		SM1040801SC		SCREW M4X0.7 L=8						1	
14		SM4040855SP		SCREW						2	
15		13201454		BELT COVER ASM.	VARIOUS NOS. FOR DESTINATIONS					1	
16	R	13201405	13201454	BELT COVER				*		1	1.00
17		CM300200001		ATTENTION SEAL				*		1	
18		SS4151215SP		SCREW 15/64-28L=12						3	
19		13102553		OIL RESERVOIR ASM.						1	
20	R	13102504	13102553	OIL RESERVOIR				*		1	1.00
21		13170105		RUBBER RING				*		1	
22	R	13171004	SM0081001SD	DRAIN SCREW				*		1	1.00
23		13102603		OIL RESERVOIR GASKET						1	
24		13103908		SCREW STUD						4	
25		WP0751576SD		WASHER 7.5X19X1.5						4	
26		WS0822010KP		SPRING WASHER 8.2X15X2						4	
27		NS6680410SP		NUT 9/32-28						4	
28		13201108		SAFETY PLATE BRACKET						1	
29		13104807		SAFETY PLATE BRACKET COLLAR						1	
30		WZ0850302K0		WAVED WASHER 8.5X12.5X0.3						1	
31		SS5110710SP		SCREW 11/64-40 L=7						1	
32		13201306		SAFETY PLATE	FOR MO-6716S					1	
33		13201207		SAFETY PLATE	FOR MO-6-704S,MO-6714S					1	
34		SS7090611SL		SCREW 9/64-40 L=6.1						2	
35		13204003		SAFETY PLATE BUSH						1	
36		CM301300001		SAFETY LABEL						1	
37		22901805		GROUND MARK						1	
38		13102900		THREAD GUIDE LARGE						2	
39		10753309		WINDOW PLATE RUBBER PLUG						1	
40		SK3412001SE		WOOD SCREW D=4.1 L=20						2	
41		TA1871602R0		RUBBER PLUG	FOR MO-6-704S,MO-6714S					1	
42		TA2050805R0		RUBBER PLUG						1	
43		13160700		BELT COVER (B)						1	
44		CM600100101		WEEE MARK LABEL S	FOR JE,TURKEY					1	

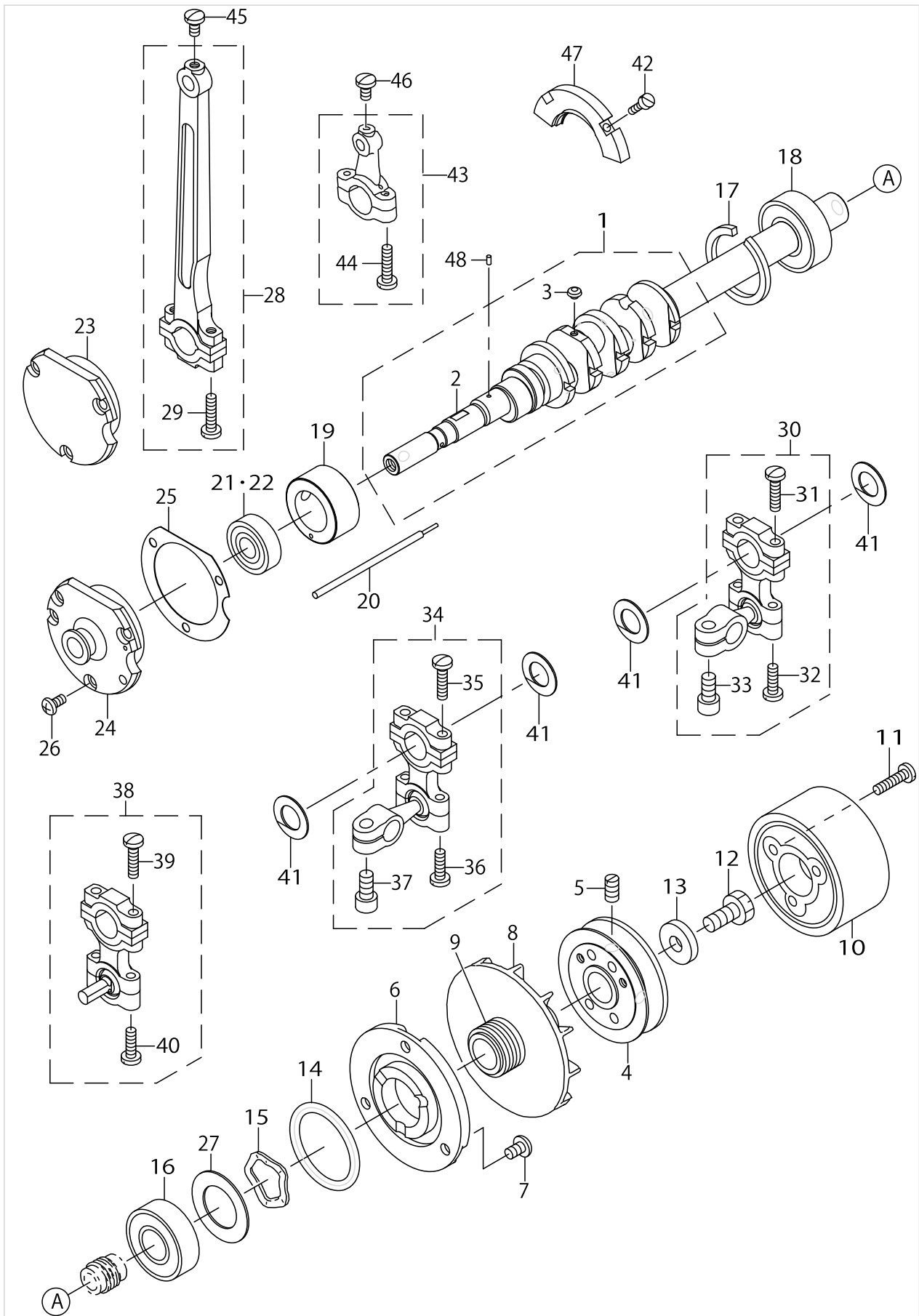
MISCELLANEOUS COVER COMPONENTS (2)



MISCELLANEOUS COVER COMPONENTS (2)

No.	Supply Code	Parts No.	Replacement	Parts name	Remarks	Choice	Step	Level	Cons	Qty	Rep. QTY
45		40037392		BELT COVER C	VARIOUS NOS. FOR DESTINATIONS					1	
46		40040065		VIBRATION PROOF RUBBER	VARIOUS NOS. FOR DESTINATIONS					1	

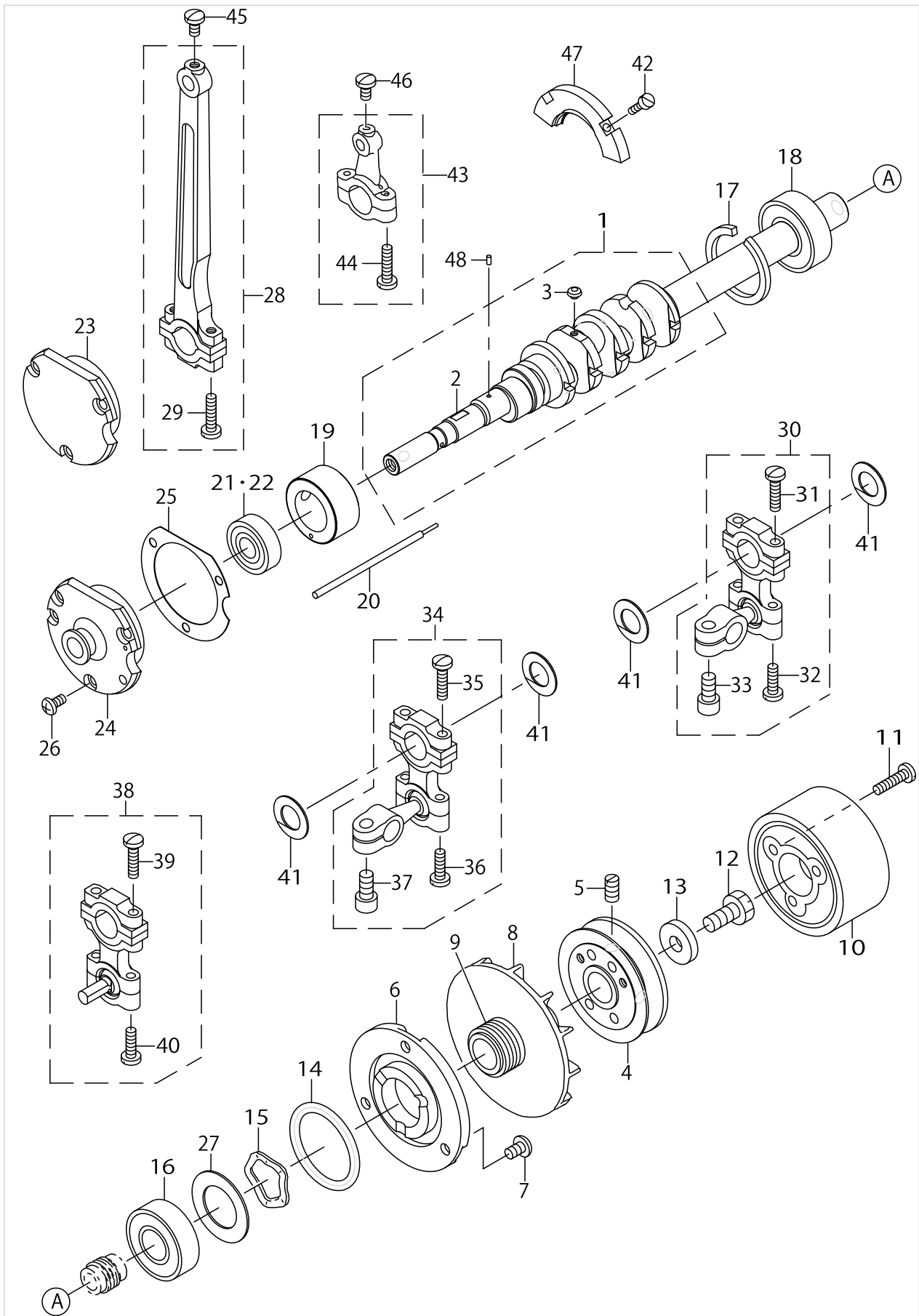
CRANKSHAFT COMPONENTS



CRANKSHAFT COMPONENTS

No.	Supply Code	Parts No.	Replacement	Parts name	Remarks	Choice	Step	Level	Cons	Qty	Rep. QTY
1		40023235		MAIN SHAFT ASM.						1	
2	R	40023234	40023235	MAIN SHAFT (300)				*		1	1.00
3		SS5080212TP		SCREW 1/8-44 L=2				*		5	
4		13107602		HANDWHEEL (A)						1	
5		SS8151150TP		SCREW 15/64-28 L=10.5						2	
6		13107800		THRUST COLLAR						1	
7		SM4050855SP		SCREW M5 L=8						3	
8		13108402		COOLING FAN						1	
9		13108501		CRANKSHFT OIL SHIELD						1	
10		13107701		HANDWHEEL						1	
11		SS7111810TP		SCREW11/64-40L=18						3	
12		SS9681610TP		SCREW 9/32-28 L=16						1	
13		WP0764016SP		WASHER						1	
14		13170303		RUBBER RING						1	
15		WZ2640310KH		WAVED WASHER 26.4X33.9X3.5						1	
16	R	B1211804000	13108600	BALL BEARING B						1	1.00
17		B1212704000		BEARING RETAINER						1	
18	R	B1211804000	13108600	BALL BEARING B						1	1.00
19		13205406		CRANKSHAFT BUSHING C						1	
20		13104906		OIL ADJUSTING BAR						1	
21	R	B1215804000	13108808	BALL BEARING D	FOR MO-6-704S,MO-6714S					1	1.00
22	R	SB110000300	13108907	BALL BEARING	FOR MO-6716S					1	1.00
23		13108006		CRANKSHAFT BUSHING D	FOR MO-6-704S,MO-6714S					1	
24		13108105		CRANKSHAFT BUSHING D	FOR MO-6716S					1	
25		13108204		CRANKSHAFT BUSHING GASKET						1	
26		SM4040855SP		SCREW						3	
27		13108303		BEARING HOLDING PLATE						1	
28	R	12109153	13207550	CONNECTING ROD ASM.						1	1.00
29		SS7111810TP		SCREW11/64-40L=18				*		2	
30		12122362		UPPER LOOPER ROD ASM.						1	
31		SS7111810TP		SCREW11/64-40L=18				*		2	
32		SS7111410TP		SCREW11/64-40L=14				*		2	
33		SM6061202TP		SCREW M6 L=12				*		1	
34		12123360		LOWER LOOPER ROD ASM. A	FOR MO-6-704S,MO-6714S					1	
35		SS7111810TP		SCREW11/64-40L=18				*		2	
36		SS7111410TP		SCREW11/64-40L=14				*		2	
37		SM6061202TP		SCREW M6 L=12				*		1	
38		12120150		LOWER LOOPER ROD ASM. B	FOR MO-6716S					1	
39		SS7111810TP		SCREW11/64-40L=18				*		2	
40		SS7111410TP		SCREW11/64-40L=14				*		2	
41		40017824		LOOPER LOD STOPPER						4	
42		SS6081210TP		SCREW 1/8-44 L=12						2	
43	R	12132155	13232558	KNIFE DRIVING ROD ASM.						1	1.00
44		SS7111810TP		SCREW11/64-40L=18				*		2	
45		SS7110840SP		SCREW 11/64-40 L=7.8						1	

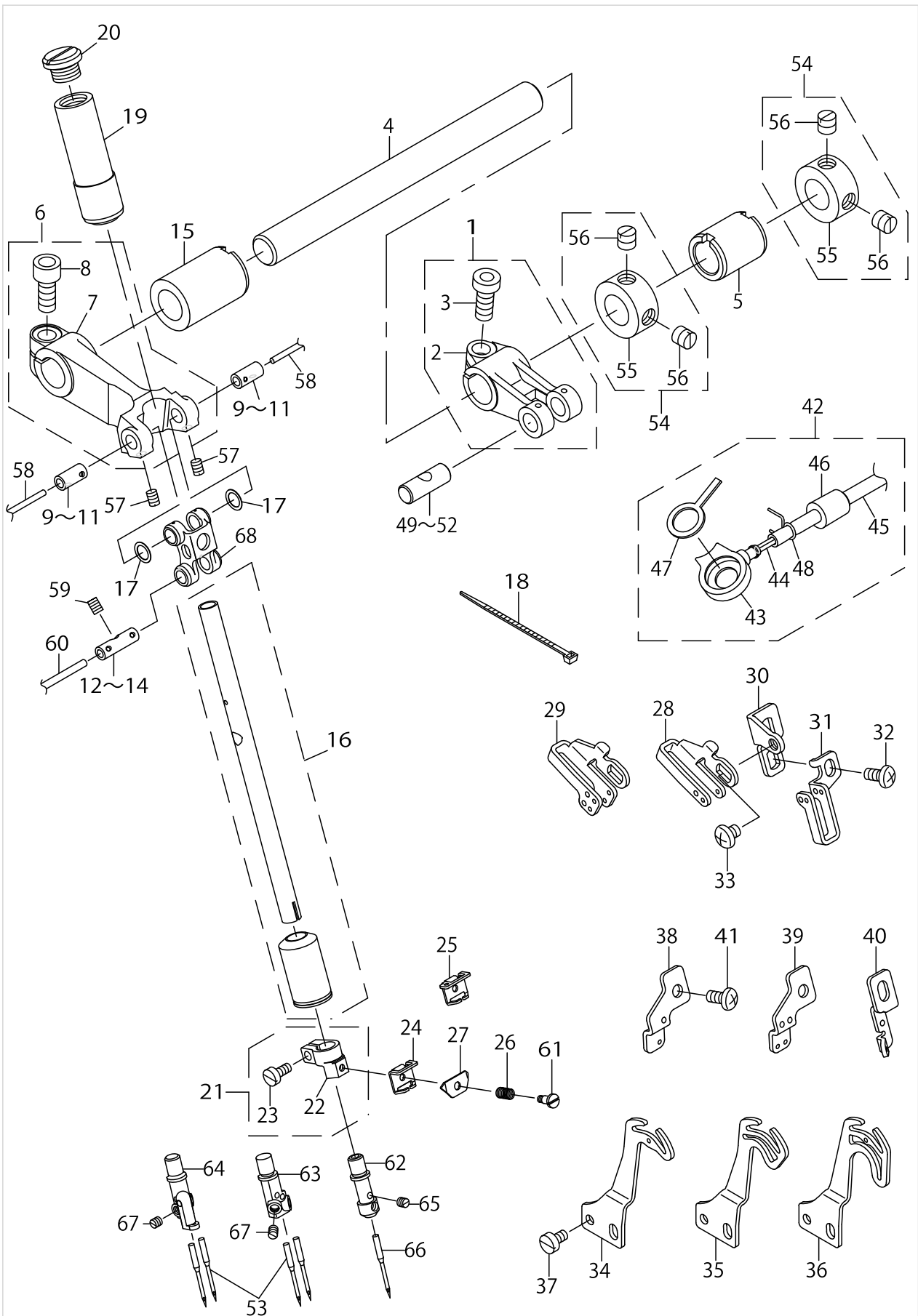
CRANKSHAFT COMPONENTS



CRANKSHAFT COMPONENTS

No.	Supply Code	Parts No.	Replacement	Parts name	Remarks	Choice	Step	Level	Cons	Qty	Rep. QTY
46		SS7110840SP		SCREW 11/64-40 L=7.8						1	
47		40017714		BALANCER						1	
48		40035711		OIL WICK						1	

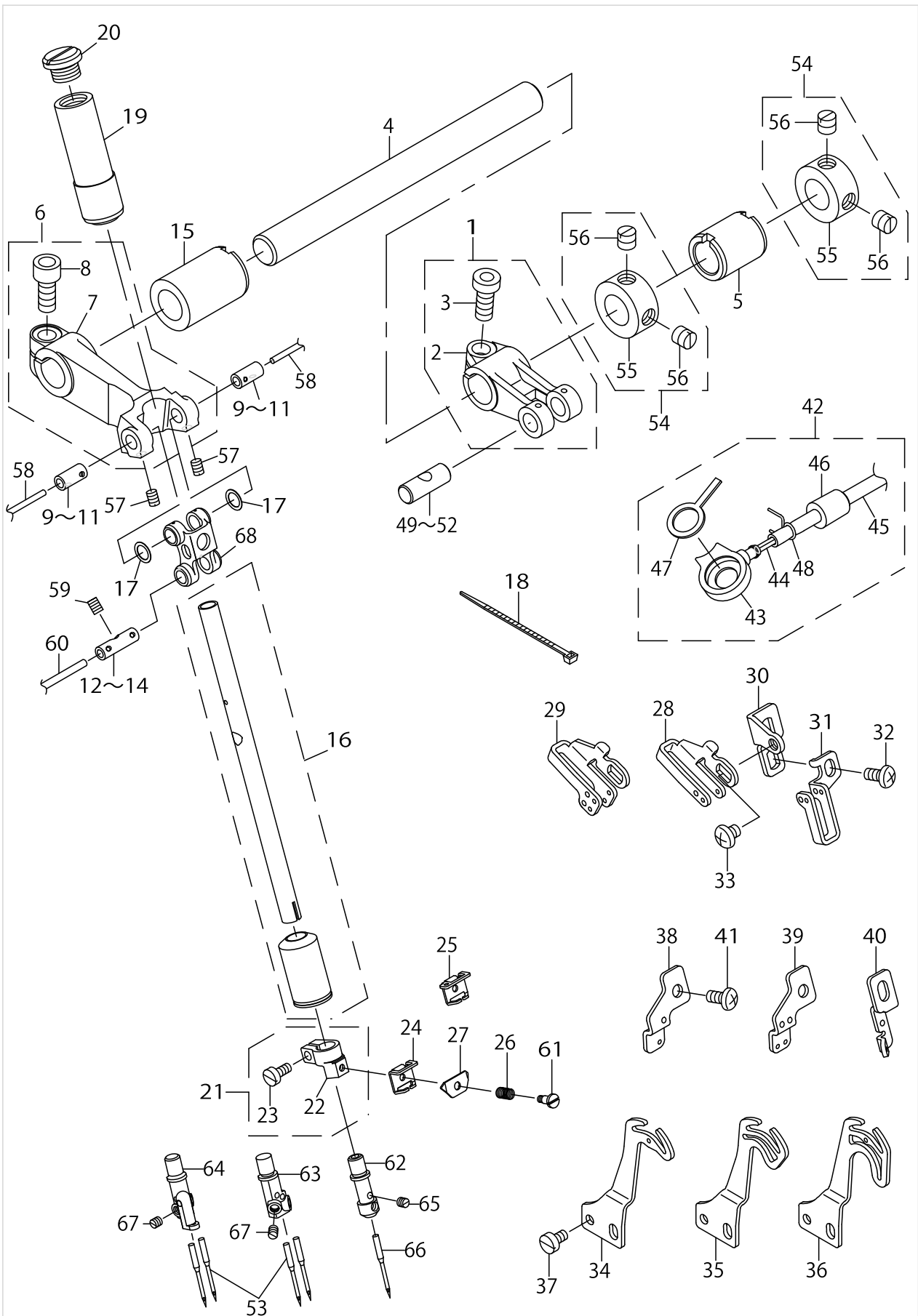
NEEDLE DRIVING SHAFT COMPONENTS



NEEDLE DRIVING SHAFT COMPONENTS

No.	Supply Code	Parts No.	Replacement	Parts name	Remarks	Choice	Step	Level	Cons	Qty	Rep. QTY
1		13110556		FEED FORKED CRANK ASM.						1	
2	R	13110507	13110556	NEEDLE DRIVING BRANCH CRANK				*		1	1.00
3		SM6061402TP		SCREW M6 L=14				*		1	
4		13110606		NEEDLE DRIVING SHAFT						1	
5		13110101		BUSHING REAR						1	
6		13209853		NEEDLE DRIVING ARM ASM.						1	
7	R	13209804	13209853	NEEDLE DRIVING ARM				*		1	1.00
8		SM6061402TP		SCREW M6 L=14				*		1	
9		13209101		NEEDLE DRIVING ARM PIN A	SELECTIVE PARTS					2	
10		13209200		NEEDLE DRIVING ARM PIN B	SELECTIVE PARTS					2	
11		13209309		NEEDLE DRIVING ARM PIN C	SELECTIVE PARTS					2	
12		13209408		NEEDLE DRIVING PIN A	SELECTIVE PARTS					1	
13		13209507		NEEDLE DRIVING PIN B	SELECTIVE PARTS					1	
14		13209606		NEEDLE DRIVING PIN C	SELECTIVE PARTS					1	
15		13110002		BUSHING REAR						1	
16		13208350		NEEDLE ROD (A) ASM.						1	
17		13208103		NEEDLE DRIVING LINK WASHER						2	
18		EA9500B0100		CABLE BAND						1	
19		13209705		NEEDLE ROD BUSHING UPPER						1	
20		13207808		NEEDLE ROD BUSHING CAP SCREW						1	
21		13110259		NEEDLE CLAMP HOLDER ASM.						1	
22	R	13110200	13110259	NEEDLE CLAMP HOLDER				*		1	1.00
23		SS6080720SP		SCREW 1/8-44 L=7				*		1	
24		13110705		NEEDLE THREAD PRESSER GUIDE A	FOR MO-6-704S,MO-6714S					1	
25		13110804		NEEDLE THREAD PRESSER GUIDE B	FOR MO-6716S					1	
26		13110903		NEEDLE THREAD PRESSER SPRING						1	
27		13111000		NEEDLE THREAD PRESSER PLATE A						1	
28		13208806		NEEDLE THREAD GUIDE	FOR MO-6-704S,MO-6716S					1	
29		13208905		THREAD GUIDE 2-NEEDLE	FOR MO-6714S					1	
30		13208707		NEEDLE THREAD GUIDE BASE						1	
31		13111109		THREAD GUIDE CHAIN LOOPER	FOR MO-6716S					1	
32		SM4040855SP		SCREW						2	
33		SS4110515SP		SCREW 11/64-40 L=5						1	
34		13111208		NEEDLE THREAD TAKE-UP LEVER	FOR MO-6704S					1	
35		13111307		TAKE-UP LEVER 2-NEEDLE	FOR MO-6714S					1	
36		13111406		TAKE-UP LEVER CHAIN LOOP	FOR MO-6716S					1	
37		SS6090670TP		SCREW 9/64-40 L=6						2	
38		13111505		NEEDLE THREAD BALANCE GUIDE	FOR MO-6-704S,MO-6716S					1	
39		13111604		TAKE-UP LEVER GUIDE 2-NEEDLE	FOR MO-6714S					1	
40		13111703		TAKE-UP LEVER GUIDE CHAIN LOOP	FOR MO-6716S					1	
41		SM4040855SP		SCREW						1	
42		13208459		ONCE THROUGH OIL PIPE ASM.						1	
43		13208509		ONCE THROUGH OIL COVER				*		1	

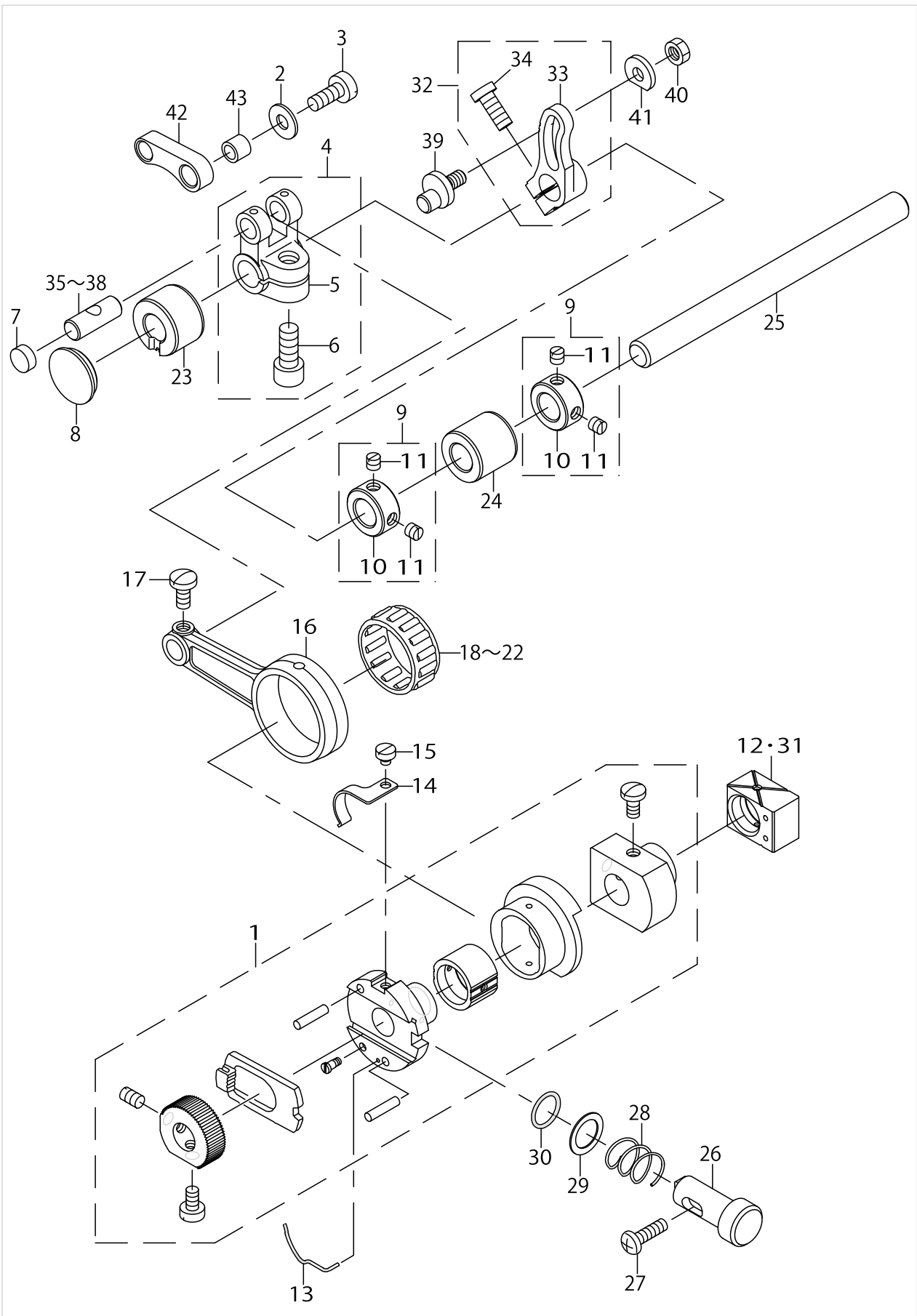
NEEDLE DRIVING SHAFT COMPONENTS



NEEDLE DRIVING SHAFT COMPONENTS

No.	Supply Code	Parts No.	Replacement	Parts name	Remarks	Choice	Step	Level	Cons	Qty	Rep. QTY
44		CQ20000000		OIL WICK				*		0.8	
45		23630007		TUBE				*		0.39	
46		13244009		ONCE THROUGH OIL PIPE BUSHING				*		1	
47		13208608		ONCE THROUGH OIL FELT				*		1	
48		13142609		PIPE CLAMP				*		1	
49		13122007		FEED BRANCH CRANK PIN A	SELECTIVE PARTS					1	
50		13122106		FEED BRANCH CRANK PIN B	SELECTIVE PARTS					1	
51		13122205		FEED BRANCH CRANK PIN C	SELECTIVE PARTS					1	
52		13122304		FEED BRANCH CRANK PIN D	SELECTIVE PARTS					1	
53		MDC270B1100		NEEDLE DCX27 #11	FOR MO-6- 714S,MO-6716S					2	
54		13172754		THRUST COLLAR ASM.						2	
55		13172705		THRUST COLLAR				*		1	
56		SS8660610TP		SCREW 1/4-40 L=6				*		2	
57		SS8090530TP		SCREW 9/64-40 L=5.0						2	
58		CQ202000000		OIL WICK						.09	
59		SS8090530TP		SCREW 9/64-40 L=5.0						1	
60		CQ252000000		OIL WICK						.04	
61		SD0280401SL		HINGE SCREW D=2.8 H=4						1	
62		13175005		NEEDLE CLAMP 1-NEEDLE	FOR MO-6704S					1	
63		13175203		NEEDLE CLAMP 2-NEEDLE	FOR MO-6714S					1	
64	R	12257002	13175500	CHAIN LOOPER NE- EDLE CLAMP DEA	FOR MO-6716S					1	1.00
65		SS8080310TP		SCREW 1/8-44 L=2.8	FOR MO-6704S					1	
66		MDC270B1100		NEEDLE DCX27 #11	FOR MO-6704S					1	
67		SS8080310TP		SCREW 1/8-44 L=2.8	FOR MO-6- 714S,MO-6716S					2	
68		13208004		NEEDLE DRIVING LINK						1	

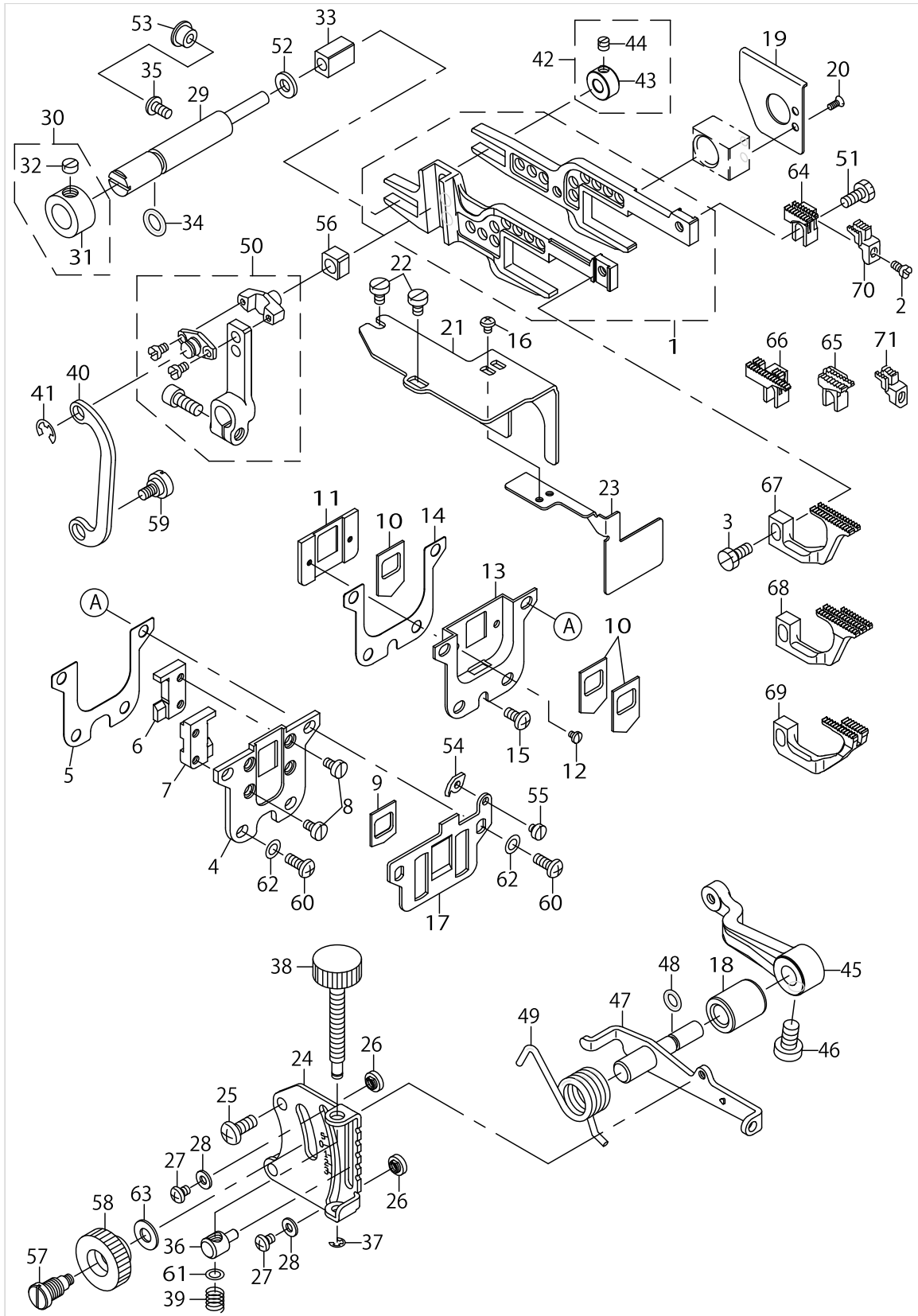
FEED MECHANISM COMPONENTS (1)



FEED MECHANISM COMPONENTS (1)

No.	Supply Code	Parts No.	Replacement	Parts name	Remarks	Choice	Step	Level	Cons	Qty	Rep. QTY
1		13118054		FEED ECCENTRIC BODY ASM.						1	
2		13120605		WASHER						1	
3		SS6121220TP		SCREW 3/16-28 L=11.5						1	
4		13122452		FEED BRANCH CRANK ASM.						1	
5		13122403		FEED BRANCH CRANK				*		1	
6		SM6061402TP		SCREW M6 L=14				*		1	
7		TA1030402R0		RUBBER PLUG D=10.3 L=4						1	
8		TA2050416R0		RUBBER PLUG						1	
9		13172556		FEED SHAFT THRU-ST COLLAR ASM.						2	
10		13172507		FEED SHAFT THRUST COLLAR				*		1	
11		SS8110410TP		SCREW 11/64-40 L=3.5				*		2	
12		13217807		SLIDE BLOCK A	SELECTIVE PARTS					1	
13		13122502		RATCHET PAWL SPRING						1	
14		13119300		RATCHET GEAR SPRING						1	
15		SS6080320SP		SCREW 1/8-44 L=2.5						1	
16		13118708		FEED CRANK ROD						1	
17		SS7110910TP		SCREW 11/64-40 L=8.5						1	
18		12116604		NEEDLE BEARING	SELECTIVE PARTS					1	
19		12116703		NEEDLE BEARING B	SELECTIVE PARTS					1	
20		12116802		NEEDLE BEARING C	SELECTIVE PARTS					1	
21		12116901		NEEDLE BEARING D	SELECTIVE PARTS					1	
22		12117008		NEEDLE BEARING E	SELECTIVE PARTS					1	
23		13119409		FEED SHAFT METAL FRONT						1	
24		13119508		FEED SHAFT METAL REAR						1	
25		13119607		FEED SHAFT						1	
26	D	13216809		PUSHBUTTONSHAFT						1	
27		SM4041455SN		SCREW M4 L=14						1	
28		13216601		PUSH BUTTON SPRING						1	
29		13216700		PUSH BUTTON SHAFT WASHER						1	
30		13244108		RUBBER RING						1	
31		13217906		SLIDE BLOCK B	SELECTIVE PARTS					1	
32		13119953		MAIN FEED ARM ASM.						1	
33		13119904		MAIN FEED ARM				*		1	
34		SM6051202TP		SCREW M5X0.8 L=12				*		1	
35		13122007		CRANK PIN A	SELECTIVE PARTS					1	
36		13122106		CRANK PIN B	SELECTIVE PARTS					1	
37		13122205		CRANK PIN C	SELECTIVE PARTS					1	
38		13122304		CRANK PIN D	SELECTIVE PARTS					1	
39		13119706		MAIN FEED ARM PIN						1	
40		NS6620320SP		NUT 3/16-32						1	
41		13120001		WASHER B						1	
42		13119805		MAIN FEED LINK						1	
43	D	B1620804000		PIN COLLAR						1	

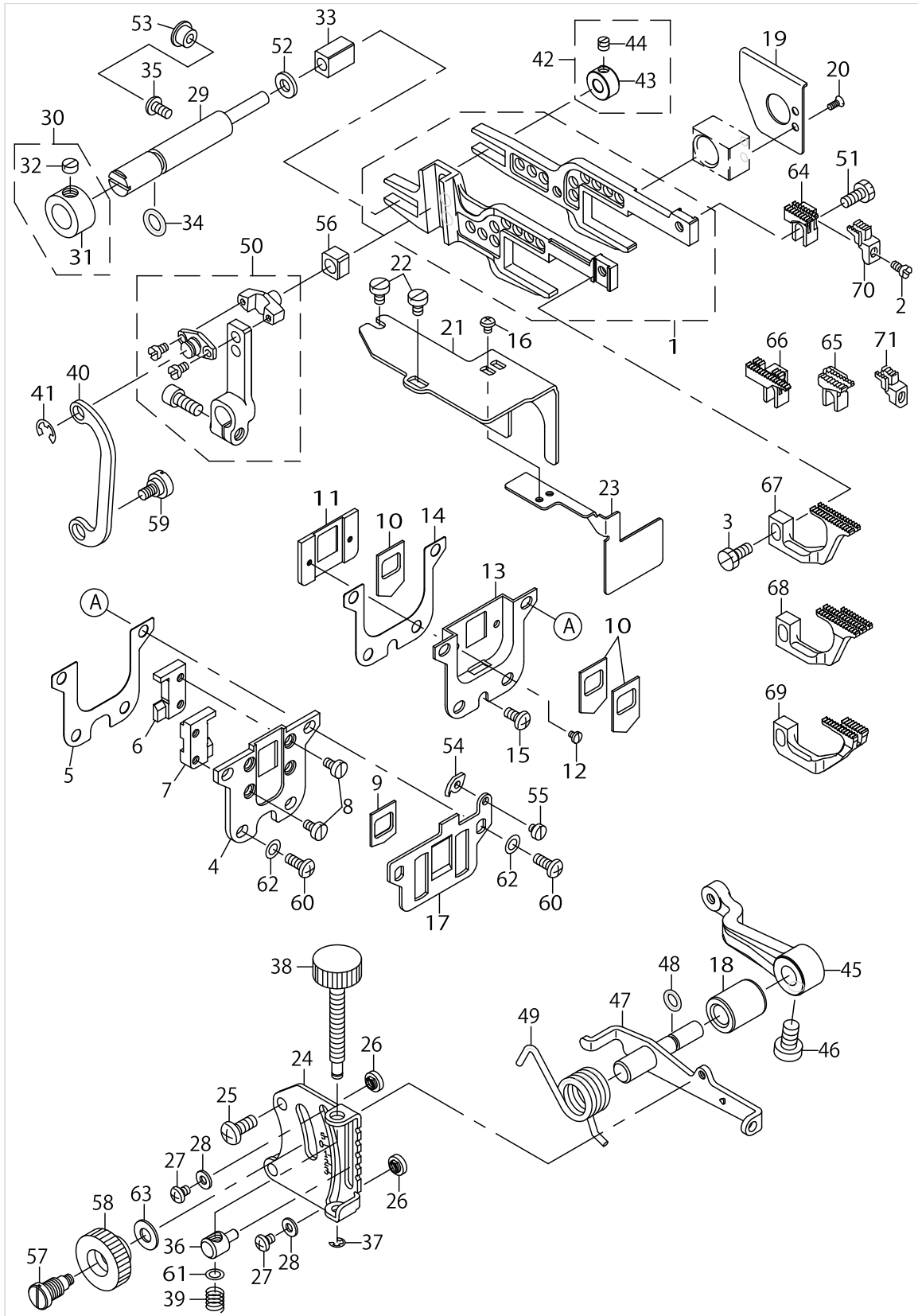
FEED MECHANISM COMPONENTS (2)



FEED MECHANISM COMPONENTS (2)

No.	Supply Code	Parts No.	Replacement	Parts name	Remarks	Choice	Step	Level	Cons	Qty	Rep. QTY
1		13215157		FEED ROCKER ASM.						1	
2		SS4080620TP		SCREW 1/8-44 L=6						1	
3		SS9111010SP		SCREW 11/64-40 L=9.5						1	
4		13215306		RUBBER CASE						1	
5		13215405		RUBBER CASE GASKET						1	
6		13215504		FEED BAR SUPPORT RIGHT						1	
7		13215603		FEED BAR SUPPORT LEFT						1	
8		SS6090620TP		SCREW						4	
9	R	12118303	70004244	DUST-PROOF RUBBER						1	1.00
10		70004244		OIL SHIELD RUBBER						3	
11		13215702		RUBBER HOLDING PLATE						1	
12		SS7060310SP		SCREW 3/32-56 L=3						2	
13		13215900		OIL SHIELD CASE						1	
14		13216007		OIL SHIELD CASE GASKET						1	
15		SM4040855SP		SCREW						1	
16		SM4030455SP		SCREW						2	
17		13215801		THROAT PLATE SUPPORT						1	
18		13122700		ADJUSTING SHAFT METAL						1	
19		13216106		OIL SHIECD PLATE						1	
20		SS1060610SP		SCREW 3/32-56 L=5.5						2	
21		13216205		FEED CAM OIL SHIECD PLATE						1	
22		SM6040600SP		SCREW M4 L=6						2	
23		13216304		OIL SHIECD PLATE						1	
24		13122809		DIFFERENTIAL FEED GRADUATION						1	
25		SM4051255SP		SCREW M5 L=12						2	
26		13121405		ADJUSTING STOPPER						2	
27		SS4090515SP		SCREW 9/64-40 L=5						2	
28		WP0371016SD		WASHER 3.7X8X1						2	
29		13120902		SUPPORT SHAFT						1	
30		13121058		HRUST COLLAR ASM.						1	
31		13121009		HRUST COLLAR					*	1	
32		SS8660330SP		SCREW 1/4-40 L=3.0					*	1	
33		13120803		SLIDE BLOCK						1	
34		13170204		RUBBER RING						1	
35		SM4040855SP		SCREW						1	
36		13217708		DIFFERENTIAL FEED BLOCK						1	
37		RE0300000K0		E-RING 3						1	
38		13213012		ADJUSTING SCREW						1	
39		13123302		DIFFERENTIAL FEED SCREW SPRING						1	
40		13121306		ADJUSTING LINK						1	
41		RE0500000K0		E-RING 5						1	
42		13121256		SUPPORT SHAFT COLLAR ASM.						1	
43	R	13121207	13121256	SUPPORT SHAFT COLLAR					*	1	1.00
44		SS8110410TP		SCREW 11/64-40 L=3.5					*	1	
45		13121900		DIFFERENTIAL FEED ROCKER						1	
46		SS6661110SP		SCREW 1/4-40 L=11						1	

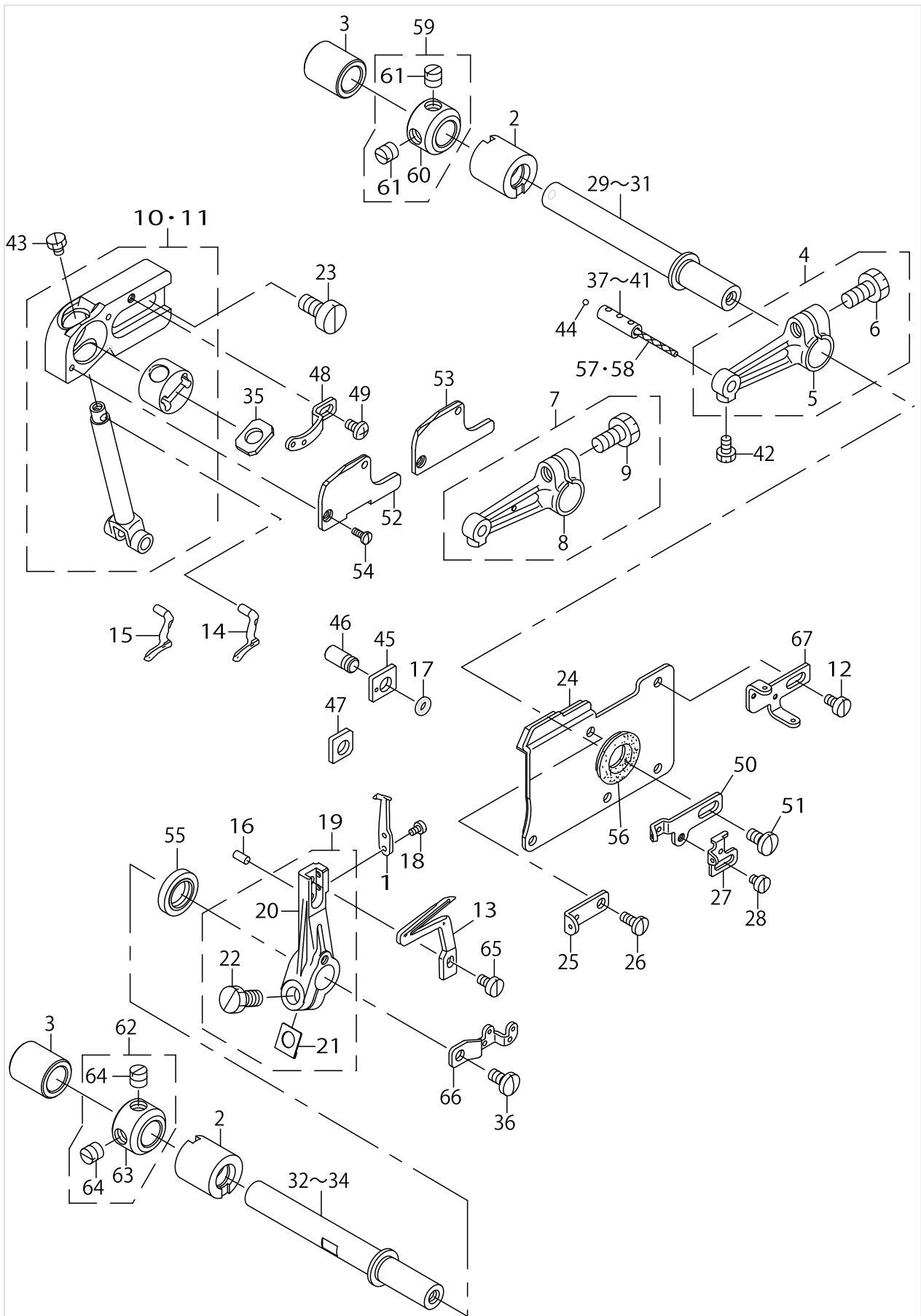
FEED MECHANISM COMPONENTS (2)



FEED MECHANISM COMPONENTS (2)

No.	Supply Code	Parts No.	Replacement	Parts name	Remarks	Choice	Step	Level	Cons	Qty	Rep. QTY
47		13217351		ROCKER SHAFT ASM.						1	
48		13170501		RUBBER RING						1	
49		13121603		ADJUSTING LEVER SPRING						1	
50		13218052		DIFFERENTIAL FEED ARM ASM.						1	
51		SS9111050SP		SCREW 11/64-40 L=9.5						1	
52		13121108		WASHER						1	
53		TA0800504R0		PLUG D=8 L=4.5						1	
54		13200902		FEED MECHANISM COVER PRESSER						1	
55		SS6080340SP		SCREW 1/8-44 L=2.9						1	
56		13218102		SLIDE BLOCK						1	
57		13217401		DIFFERENTIAL FEED HINGE SCREW						1	
58		13217500		DIFFERENTIAL FEED LOCK NUT						1	
59		SD0720271SP		HINGE SCREW D=7.2 H=2.7						1	
60		SM4041055SP		SCREW M4 L=10						4	
61		WP0460556SD		WASHER 4.6X7.5X0.5						1	
62		WP0480856SP		WASHER 4.8X8.4X0.8						4	
63		WP0621016SD		WASHER 6.2X13X1						1	
64		13191606		MAIN FEED DOG	FOR MO-6704S					1	
65		13192000		MAIN FEED DOG	FOR MO-6714S					1	
66		13192406		MAIN FEED DOG	FOR MO-6716S					1	
67		13192802		DIFFERENTIAL FEED DOG	FOR MO-6704S					1	
68		13193206		DIFFERENTIAL FEED DOG	FOR MO-6714S					1	
69		13193602		DIFFERENTIAL FEED DOG	FOR MO-6716S					1	
70		13191309		AUXILIARY FEED DOG	FOR MO-6-704S,MO-6714S					1	
71		13191408		AUXILIARY FEED DOG	FOR MO-6716S					1	

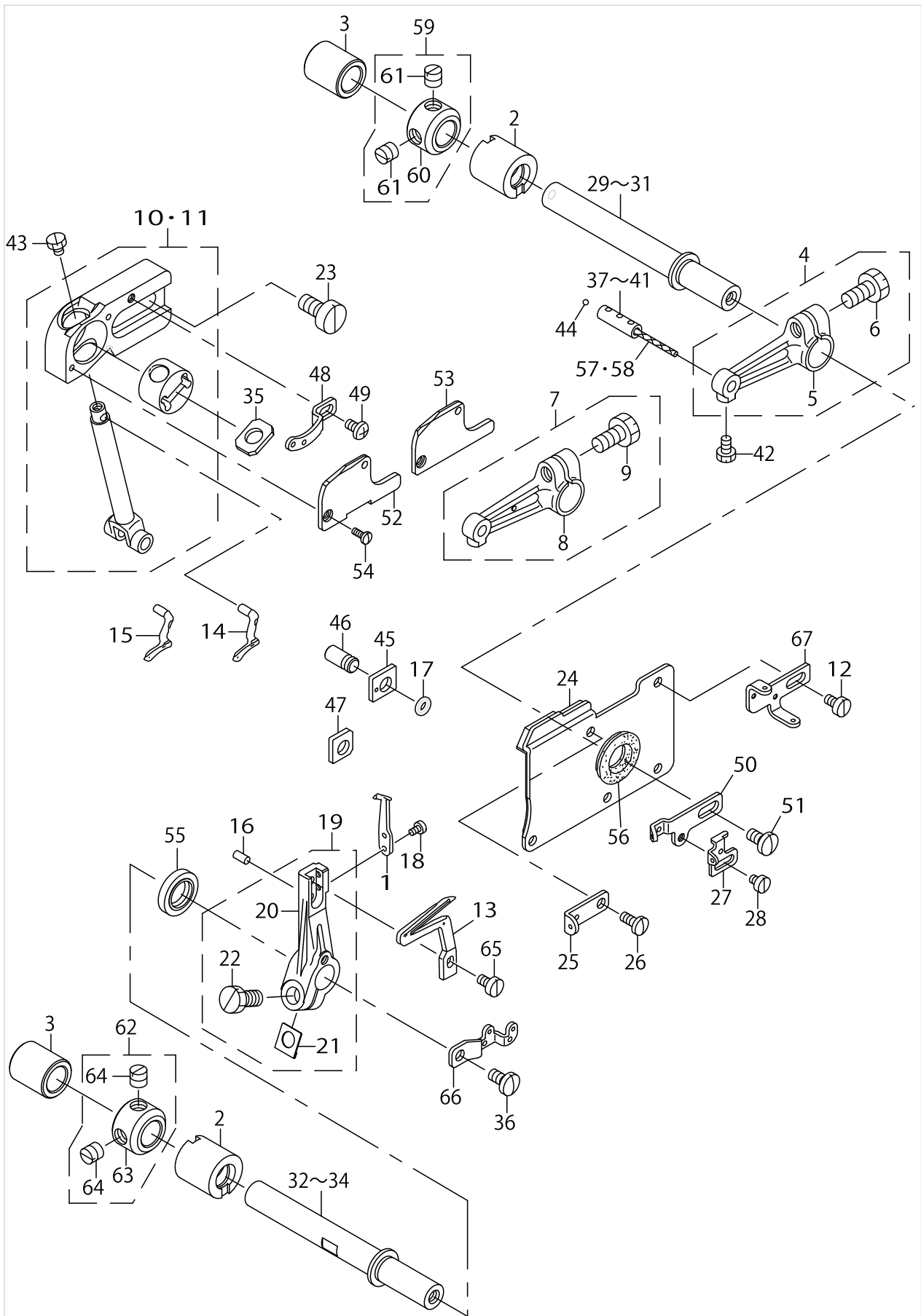
UPPER & LOWER LOOPER COMPONENTS



UPPER & LOWER LOOPER COMPONENTS

No.	Supply Code	Parts No.	Replacement	Parts name	Remarks	Choice	Step	Level	Cons	Qty	Rep. QTY
1		11890001		TRAVELING NEEDLE GUARD						1	
2		13222609		LOOPER SHAFT FRONT BUSHING						2	
3		13222708		LOOPER SHAFT REAR BUSHING						2	
4		13131057		UPPER LOOPER ARM A ASM.	FOR MO-6-704S,MO-6716S					1	
5	R	13131008	13131057	UPPER LOOPER ARM A				*		1	1.00
6		SS9151210TP		SCREW 15/64-28 L=11.8				*		1	
7		13131156		UPPER LOOPER ARM B ASM.	FOR MO-6714S					1	
8	R	13131107	13131156	UPPER LOOPER ARM B				*		1	1.00
9		SS9151210TP		SCREW 15/64-28 L=11.8				*		1	
10		40015637		GUIDE SUPPORT ASM.	FOR MO-6-704S,MO-6716S					1	
11		40016841		GUIDE SUPPORT B ASM	FOR MO-6714S					1	
12		SS6090630TP		SCREW 9/64-40 L=6						3	
13		11999307		LOWER LOOPER						1	
14		11888104		UPPER LOOPER	FOR MO-6-704S,MO-6716S					1	
15		12176004		UPPER LOOPER	FOR MO-6714S					1	
16		PS0300062KH		SPRING PIN 3X6						1	
17		13170600		RUBBER RING						1	
18		SS6060440TP		SCREW 3/32-56 L=3.5						2	
19		13132550		LOWER LOOPER SUPPORT ARM ASM.						1	
20	R	13132501	13132550	LOWER LOOPER SUPPORT ARM				*		1	1.00
21		13129309		WASHER				*		1	
22		SS9151210TP		SCREW 15/64-28 L=11.8				*		1	
23		SM6061200SP		SCREW M6 L=12						2	
24		13133053		OIL SHIELD PLATE ASM.						1	
25		12340600		UPPER LOOPER THREAD GUIDE						1	
26		SS7090850SP		SCREW 9/64-40 L=8						1	
27		12340709		LOWER LOOPER THREAD TAKE-UP						1	
28		SS6080410SP		SCREW 1/8-44 L=4						1	
29		13221403		UPPER LOOPER GUIDE A	SELECTIVE PARTS					1	
30		13221502		UPPER LOOPER GUIDE B	SELECTIVE PARTS					1	
31		13221601		UPPER LOOPER GUIDE C	SELECTIVE PARTS					1	
32		13221700		UPPER LOOPER GUIDE A	SELECTIVE PARTS					1	
33		13221809		UPPER LOOPER GUIDE B	SELECTIVE PARTS					1	
34		13221908		UPPER LOOPER GUIDE C	SELECTIVE PARTS					1	
35		40011234		DUST SEALING FELT						1	
36		SS7110840SP		SCREW 11/64-40 L=7.8						1	
37		13131206		UPPER LOOPER HOLDER PIN A	SELECTIVE PARTS					1	
38		13131305		UPPER LOOPER HOLDER PIN B	SELECTIVE PARTS					1	
39	R	13131404	13131503	UPPER LOOPER HOLDER PIN C	SELECTIVE PARTS					1	1.00
40		13131503		UPPER LOOPER HOLDER PIN D	SELECTIVE PARTS					1	
41		13131602		UPPER LOOPER HOLDER PIN E	SELECTIVE PARTS					1	
42		SS9090610TP		SCREW 9/64-40 L=5.5						1	
43		SS9090410TP		SCREW						1	
44		13131701		OIL WICK STOPPER BALL						1	

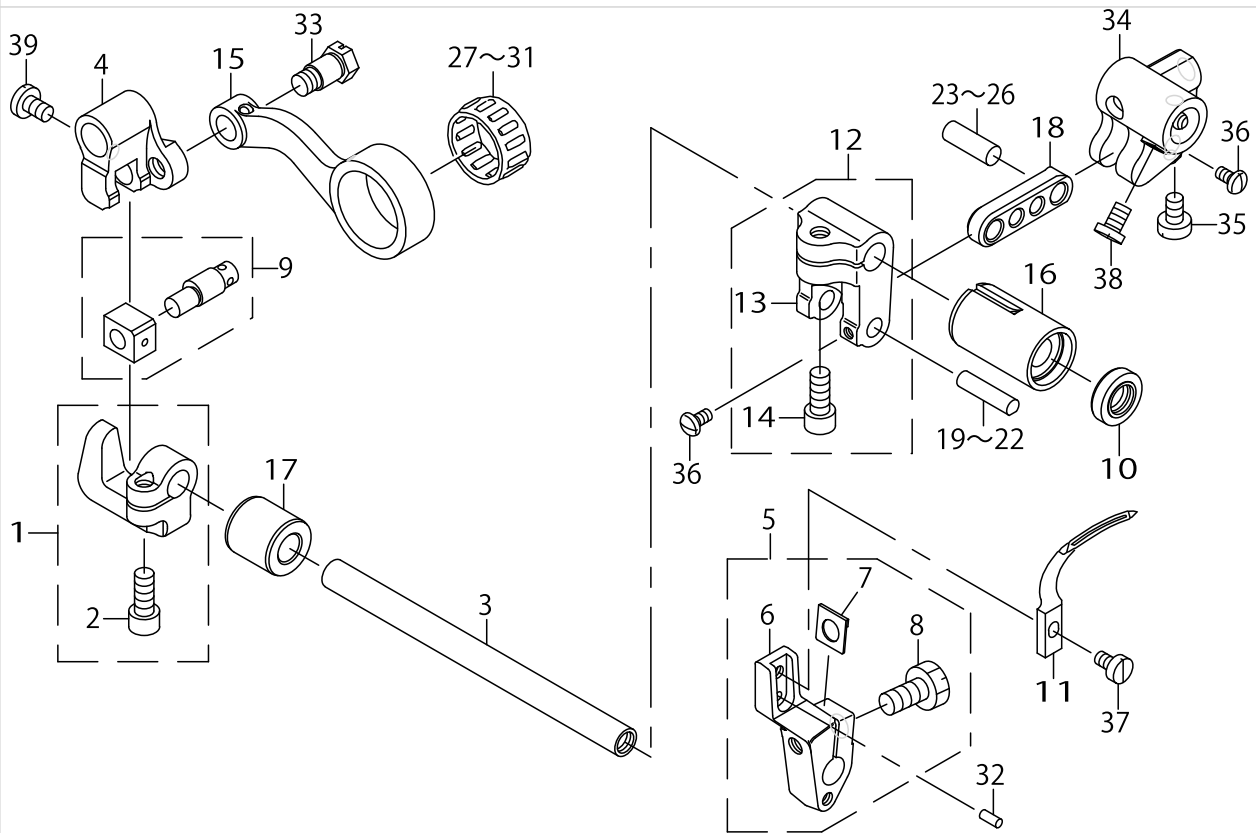
UPPER & LOWER LOOPER COMPONENTS



UPPER & LOWER LOOPER COMPONENTS

No.	Supply Code	Parts No.	Replacement	Parts name	Remarks	Choice	Step	Level	Cons	Qty	Rep. QTY
45		13131909		GUIDE SUPPORT GAUGE	FOR MO-6-704S,MO-6714S					1	
46		13131800		GAUGE FIXING PIN						1	
47		13132006		GUIDE SUPPORT GAUGE	FOR MO-6716S					1	
48		12340501		THREAD GUIDE UPPER						1	
49		SS4090615SP		SCREW 9/64-40 L=6						1	
50		12340402		THREAD TAKE-UP RIGHT						1	
51		SS7110840SP		SCREW 11/64-40 L=7.8						1	
52		13222203		UPPER LOOPER GAUGE COVER	FOR MO-6-704S,MO-6716S					1	
53		13222302		UPPER LOOPER GAUGE COVER B	FOR MO-6714S					1	
54		SS7060610SP		SCREW 3/32-56 L=5.5						2	
55		40010804		OIL SEAL RING						1	
56		13132709		UPPER LOOPER SH-AFT RUBBER RING						1	
57		CQ200000000		OIL WICK						.04	
58		CQ202000000		OIL WICK						.04	
59		CS1031210SH		THRUST COLLAR A-SM. D=10.32 W=12	FOR MO-6-704S,MO-6714S					2	
60	R	CS1031219SH	CS1031210SH	THRUST COLLAR D=10.32 W=12				*		1	1.00
61		SS8660610TP		SCREW 1/4-40 L=6				*		2	
62		CS1031210SH		THRUST COLLAR A-SM. D=10.32 W=12	FOR MO-6716S					1	
63	R	CS1031219SH	CS1031210SH	THRUST COLLAR D=10.32 W=12				*		1	1.00
64		SS8660610TP		SCREW 1/4-40 L=6				*		2	
65		SS6090620TP		SCREW						1	
66		12340907		LOWER THREAD TAKE-UP LEFT						1	
67		40099082		LOOPER THREAD GUIDE						1	

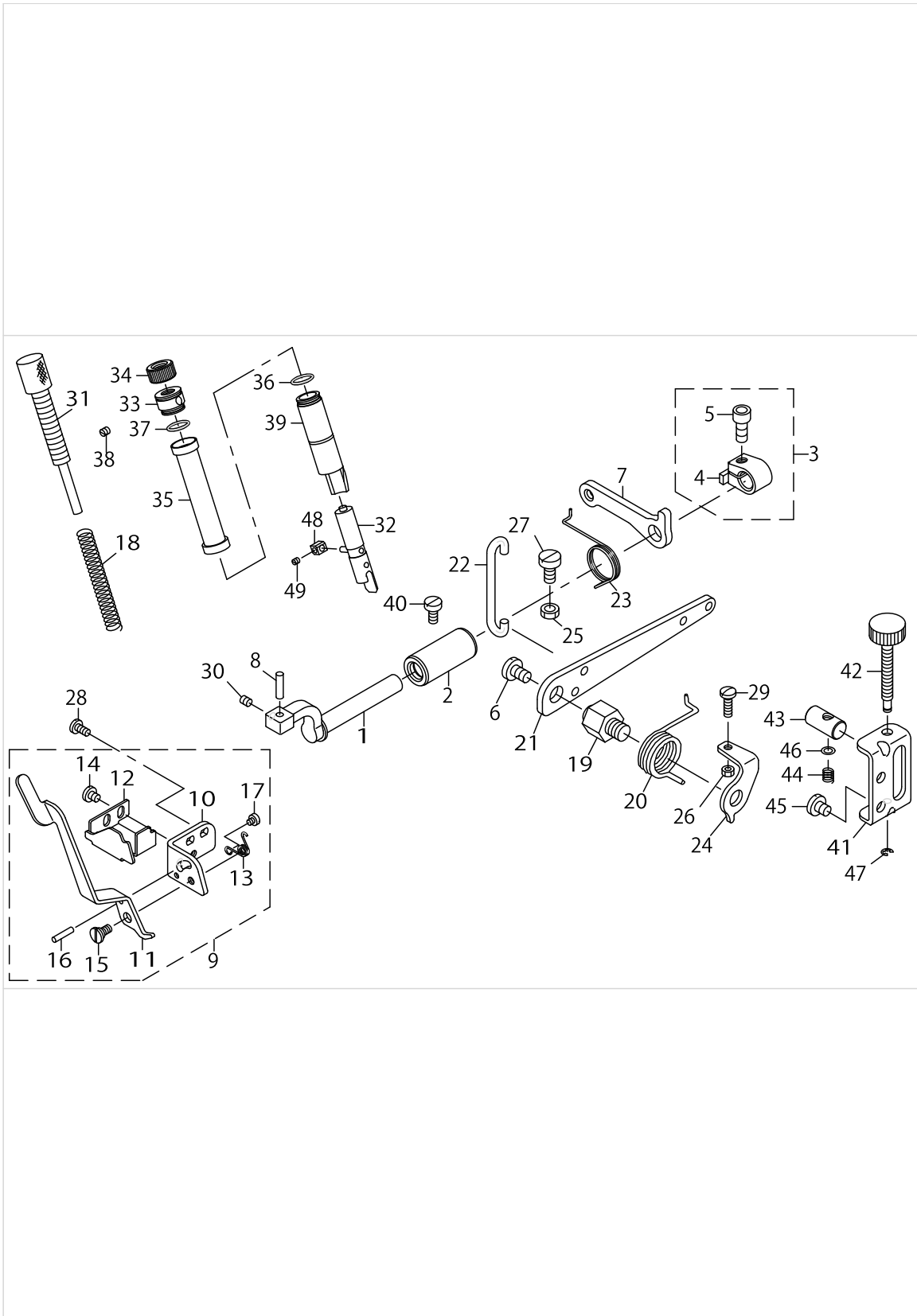
CHAIN LOOPER COMPONENTS (FOR MO-6716S)



CHAIN LOOPER COMPONENTS (FOR MO-6716S)

No.	Supply Code	Parts No.	Replacement	Parts name	Remarks	Choice	Step	Level	Cons	Qty	Rep. QTY
1		13129853		BRACKET						1	
2		SM6051202TP		SCREW M5X0.8 L=12				*		1	
3		13126909		CHAIN LOOPER SHAFT						1	
4		13126008		FRONT-AND-REAR ARM						1	
5		13129952		CHAIN LOOPER DRIVING ARM ASM.						1	
6	R	13129903	13129952	CHAIN LOOPER DRIVING ARM				*		1	1.00
7		13129309		WASHER				*		1	
8		SS9151210TP		SCREW 15/64-28 L=11.8				*		1	
9		13126354		SLIDE BLOCK PIN ASM.						1	
10		40010805		OIL SEAL RING						1	
11		12120705		CHAIN LOOPER						1	
12		13125950		CHAIN LOOPER DRIVING ARM ASM.						1	
13		13125901		CHAIN LOOPER DRIVING ARM				*		1	
14		SM6051202TP		SCREW M5X0.8 L=12				*		1	
15		13220009		CHAIN LOOPER ROD						1	
16		13128103		BUSHING FORNT						1	
17		13127006		BUSHING REAR						1	
18		13127105		CHAIN LOOPER SHAFT DRIV. LINK						1	
19		13126503		PIN LONG A	SELECTIVE PARTS					1	
20		13126602		PIN LONG B	SELECTIVE PARTS					1	
21		13126701		PIN LONG C	SELECTIVE PARTS					1	
22		13126800		PIN LONG D	SELECTIVE PARTS					1	
23		13127204		PIN SHORT A	SELECTIVE PARTS					1	
24		13127303		PIN SHORT B	SELECTIVE PARTS					1	
25		13127402		PIN SHORT C	SELECTIVE PARTS					1	
26		13127501		PIN SHORT D	SELECTIVE PARTS					1	
27		B2119816A00		BEARING A	SELECTIVE PARTS					1	
28		B2119816B00		BEARING B	SELECTIVE PARTS					1	
29		B2119816C00		BEARING C	SELECTIVE PARTS					1	
30		B2119816D00		BEARING D	SELECTIVE PARTS					1	
31	D	B2119816E00		BEARING E	SELECTIVE PARTS					1	
32		PS0250062KH		SPRING PIN 2.5X6						1	
33		SD0720803TH		STEP-SCREW D=7.24 H=8						1	
34	R	12121612	12121653	DRIVING BALL ARM BRACKET						1	1.00
35		SS6110710TP		SCREW 11/64-40 L=6.5						1	
36		SS4080620TP		SCREW 1/8-44 L=6						2	
37		SS6090620TP		SCREW						1	
38		SS6110710TP		SCREW 11/64-40 L=6.5						2	
39		SS7110720TP		SCREW 11/64-40 L=7						1	

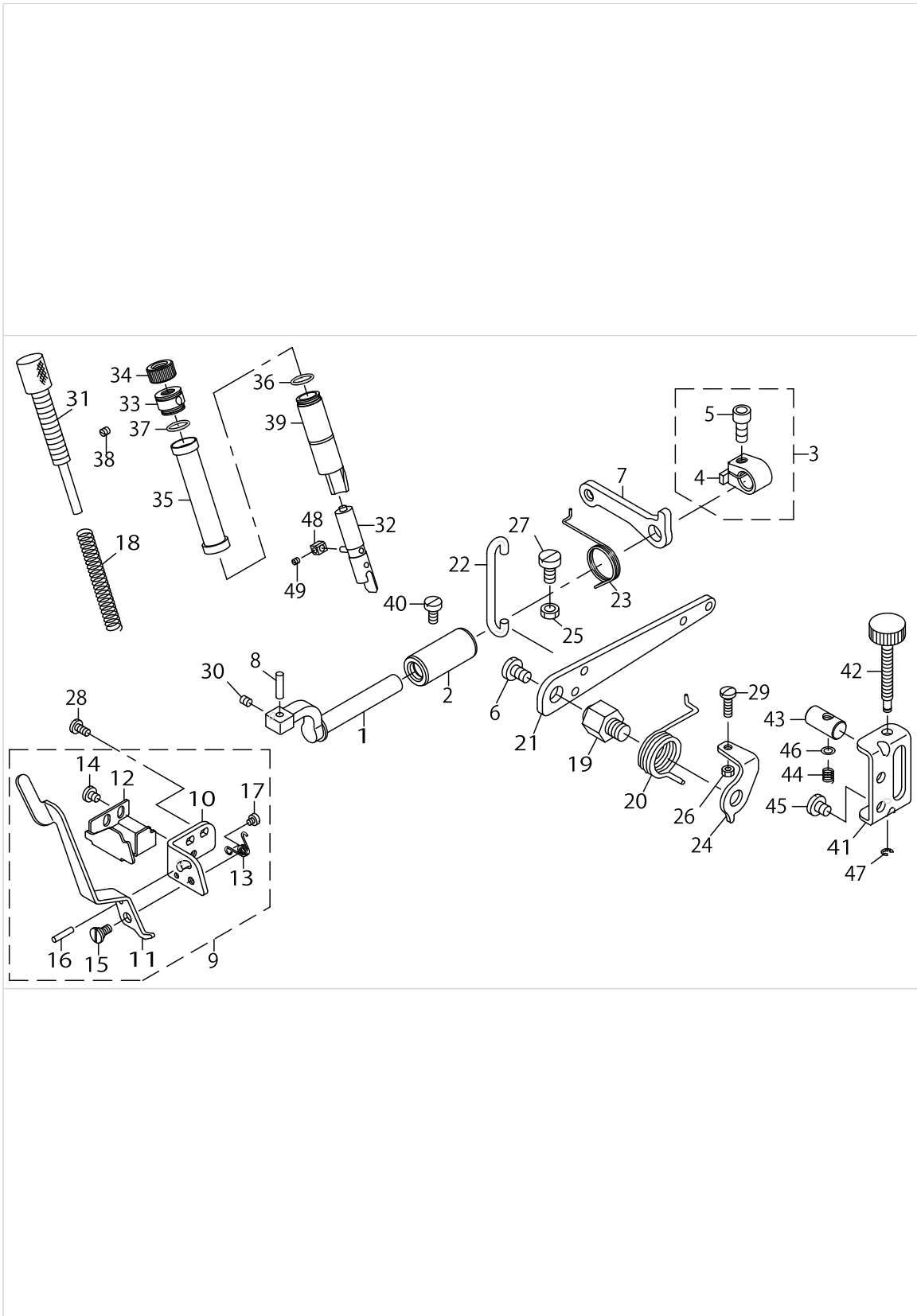
PRESSER FOOT COMPONENTS (1)



PRESSER FOOT COMPONENTS (1)

No.	Supply Code	Parts No.	Replacement	Parts name	Remarks	Choice	Step	Level	Cons	Qty	Rep. QTY
1		13115001		PRESSER FOOT SHAFT						1	
2		40102328		PRESSER_FOOT_SHAFT_BUSHING						1	
3		40096182		THRUST ARM ASM.						1	
4		40096181		THRUST ARM				*		1	
5		SM6061402TP		SCREW M6 L=14				*		1	
6		SS7161040SP		SCREW 1/4-24 L=9.5						1	
7		13116801		LIFTING ARM						1	
8		13115407		PRESSER FOOT AR- M HINGE SHAFT						1	
9		13115753		PRESSER LIFTING LEVER BASE ASM						1	
10		13115803		PRESSER LIFTING LEVER BASE				*		1	
11		13115902		PRESSER LIFTING LEVER				*		1	
12		13116009		PRESSER ARM STOPPER				*		1	
13		13116108		PRESSER FOOT LIFTING SPRING				*		1	
14		SS7110510SP		SCREW 11/64-40 L=5				*		2	
15		SD0640241SP		HINGE SCREW D=6.35 H=2.4				*		1	
16		PS0300142KH		SPRING PIN 0.3X14				*		1	
17		SS6080340SP		SCREW 1/8-44 L=2.9				*		1	
18		13116207		PRESSER FOOT SPRING						1	
19		13117007		PRESSER LIFTING LEVER SCREW						1	
20		13116306		PRESSER LIFTING LEVER SPRING						1	
21		13116900		PRESSER LIFTING LEVER						1	
22		13116405		PRESSER LIFTING HOOK						1	
23		13116504		LIFTING LEVER ARM SPRING						1	
24		13116603		PRESSER LIFTING LEVER SPRING						1	
25		NM6060003SC		NUT M6						1	
26		NS6110420SP		NUT 11/64-40						1	
27		SM6061200SP		SCREW M6 L=12						1	
28		SS7110840SP		SCREW 11/64-40 L=7.8						2	
29		SS7111410TP		SCREW 11/64-40 L=14						1	
30		SM8050412TP		SCREW M5 L=4						1	
31		40034897		PRESSER ADJUSTING SCREW						1	
32		13115654		PRESSER BAR ASM.						1	
33		12288700		PRESSER REGULAT- OR SCREW WASHER						1	
34		13117106		PRESSER REGULATOR NUT						1	
35		13212709		PRESSER BAR COVER						1	
36		13170402		RUBBER RING						2	
37		13170402		RUBBER RING						1	
38		SM8040402TP		SCREW M4X0.7 L=4						1	
39		13212501		PRESSER BAR BUSHING						1	
40		SS6121020SP		SCREW 3/16-28 L=9.5						1	
41		13212808		ADJUSTING BASE						1	
42		13213012		ADJUSTING SCREW						1	
43		13212915		ADJUSTING BLOCK						1	
44		13123302		ADJUSTING SPRING						1	
45		SS7150740SP		SCREW 15/64-28 L=7						2	

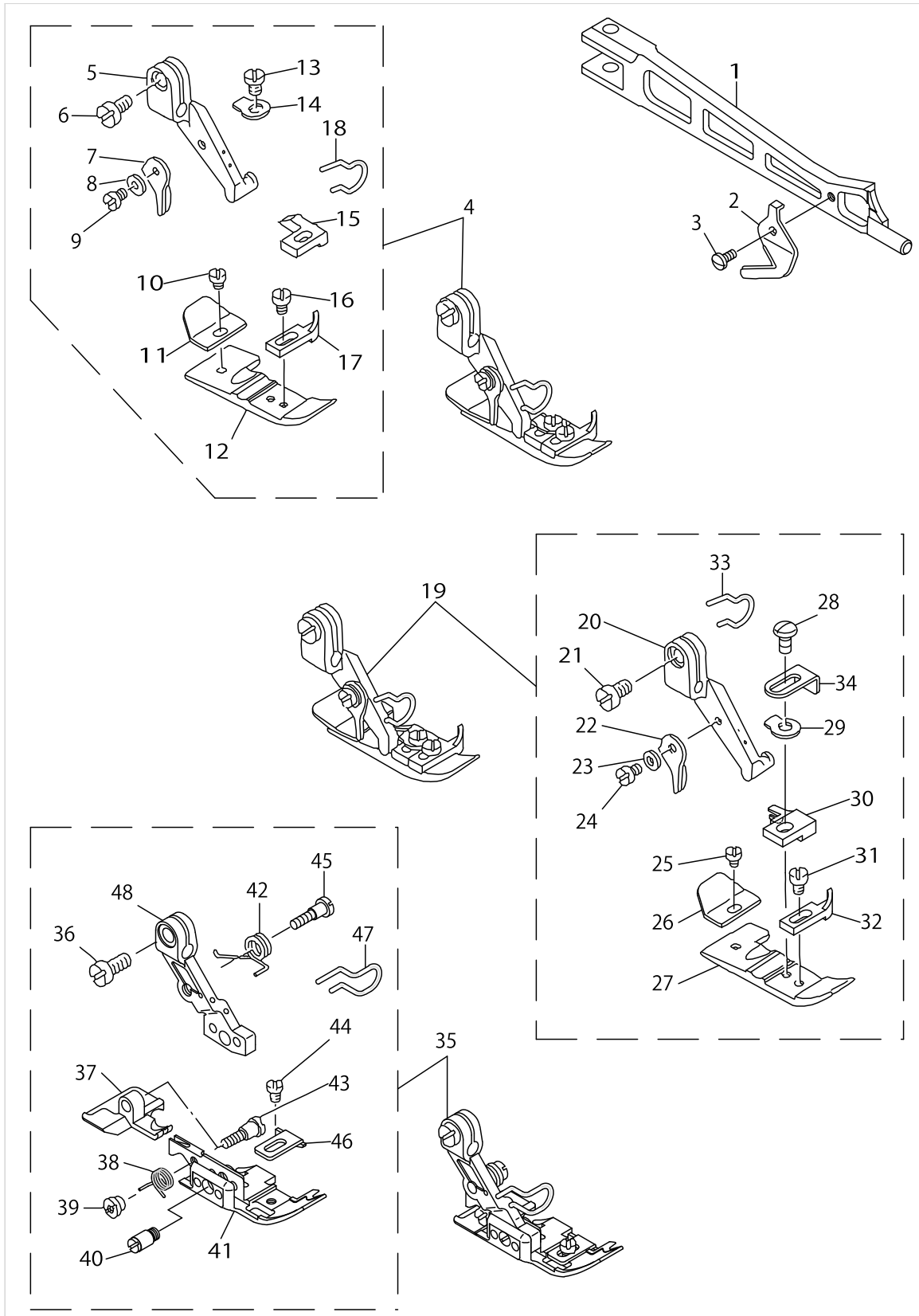
PRESSER FOOT COMPONENTS (1)



PRESSER FOOT COMPONENTS (1)

No.	Supply Code	Parts No.	Replacement	Parts name	Remarks	Choice	Step	Level	Cons	Qty	Rep. QTY
46		WP0460556SD		WASHER 4.6X7.5X0.5						1	
47		RE0300000K0		E-RING 3						1	
48		70004672		SLIDE BLOCK						1	
49		SS8080310TP		SCREW 1/8-44 L=2.8						1	

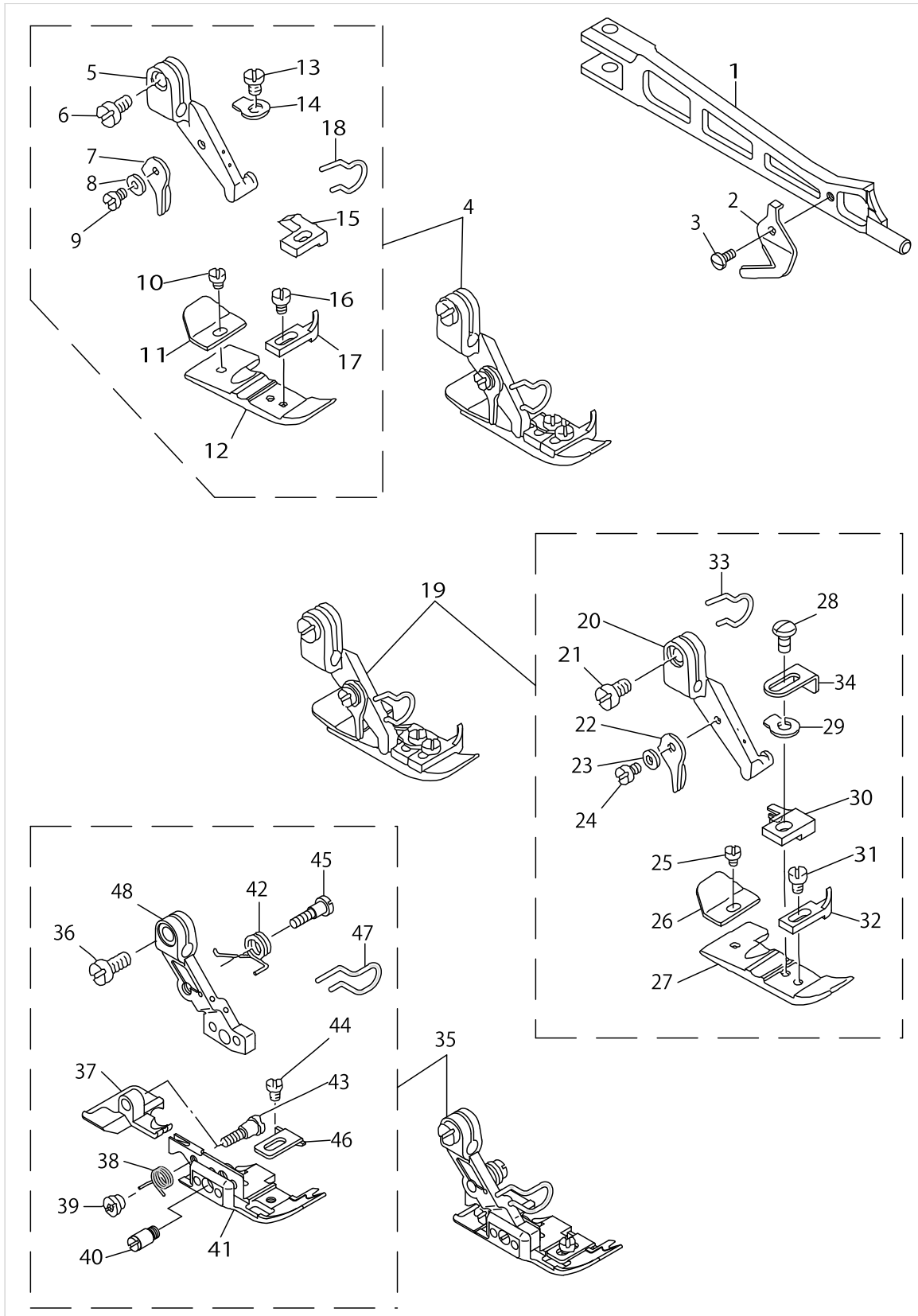
PRESSER FOOT COMPONENTS (2)



PRESSER FOOT COMPONENTS (2)

No.	Supply Code	Parts No.	Replacement	Parts name	Remarks	Choice	Step	Level	Cons	Qty	Rep. QTY
1		13117205		PRESSER FOOT ARM						1	
2		13116702		THREAD TRIMMER						1	
3		SS7060510SP		SCREW 3/32-56 L=4.8						1	
4		11876166		PRESSER FOOT ASM.	FOR MO-6704S					1	
5		11872009		PRESSER FOOT HINGE				*		1	
6		SS6090670TP		SCREW 9/64-40 L=6				*		1	
7		B1530804000		STOPPER				*		1	
8		WP0250516SD		WASHER 2.5X6X0.5				*		1	
9		SS7060610SP		SCREW 3/32-56 L=5.5				*		1	
10		SS6060210SP		SCREW 3/32-56 L=1.9				*		1	
11		B1511814000		REARPRESSERFOOT				*		1	
12		B1507804C00		PRESSER FOOT				*		1	
13		SS7080520SP		SCREW 1/8-44 L=4.9				*		1	
14		B150880400B		SPRING				*		1	
15		B1509804C00		STITCH TONGUE				*		1	
16		SS6060440TP		SCREW 3/32-56 L=3.5				*		1	
17		B1510814000		CURL GUARD				*		1	
18		13178306		FINGER GUIDE				*		1	
19		11876869		PRESSER FOOT ASM.	FOR MO-6714S					1	
20		11872009		PRESSER FOOT HINGE				*		1	
21		SS6090670TP		SCREW 9/64-40 L=6				*		1	
22		B1530804000		STOPPER				*		1	
23		WP0250516SD		WASHER 2.5X6X0.5				*		1	
24		SS7060610SP		SCREW 3/32-56 L=5.5				*		1	
25		SS6060210SP		SCREW 3/32-56 L=1.9				*		1	
26		B1511814000		REARPRESSERFOOT				*		1	
27		B150781400P		PRESSER FOOT				*		1	
28		SS4080620TP		SCREW 1/8-44 L=6				*		1	
29		B150880400B		SPRING				*		1	
30		B150981400P		STITCH TONGUE				*		1	
31		SS6060440TP		SCREW 3/32-56 L=3.5				*		1	
32		B1510814000		CURL GUARD				*		1	
33		13178306		FINGER GUIDE				*		1	
34		40030533		PRESSER FOOT AUXILIARY PLATE				*		1	
35		12153763		PRESSER FOOT ASM.	FOR MO-6716S					1	
36		SS6090670TP		SCREW 9/64-40 L=6				*		1	
37	R	12164802	12153763	REARPRESSERFOOT				*		1	1.00
38		12167805		SPRING FOR REAR PRESSER FOOT				*		1	
39		B1513816000		NUT FOR REAR PRESSER FOOT				*		1	
40		12167409		HINGE PIN				*		1	
41	R	12162202	12153763	PRESSER FOOT				*		1	1.00
42		12167607		PRESSER FOOT ARM SPRING				*		1	
43		12167508		HINGE SCREW				*		1	
44		SS6060340SP		SCREW 3/32-56 L=2.5				*		1	
45		B1514816000		SCREW				*		1	
46		12167706		PRESSER FOOT				*		1	

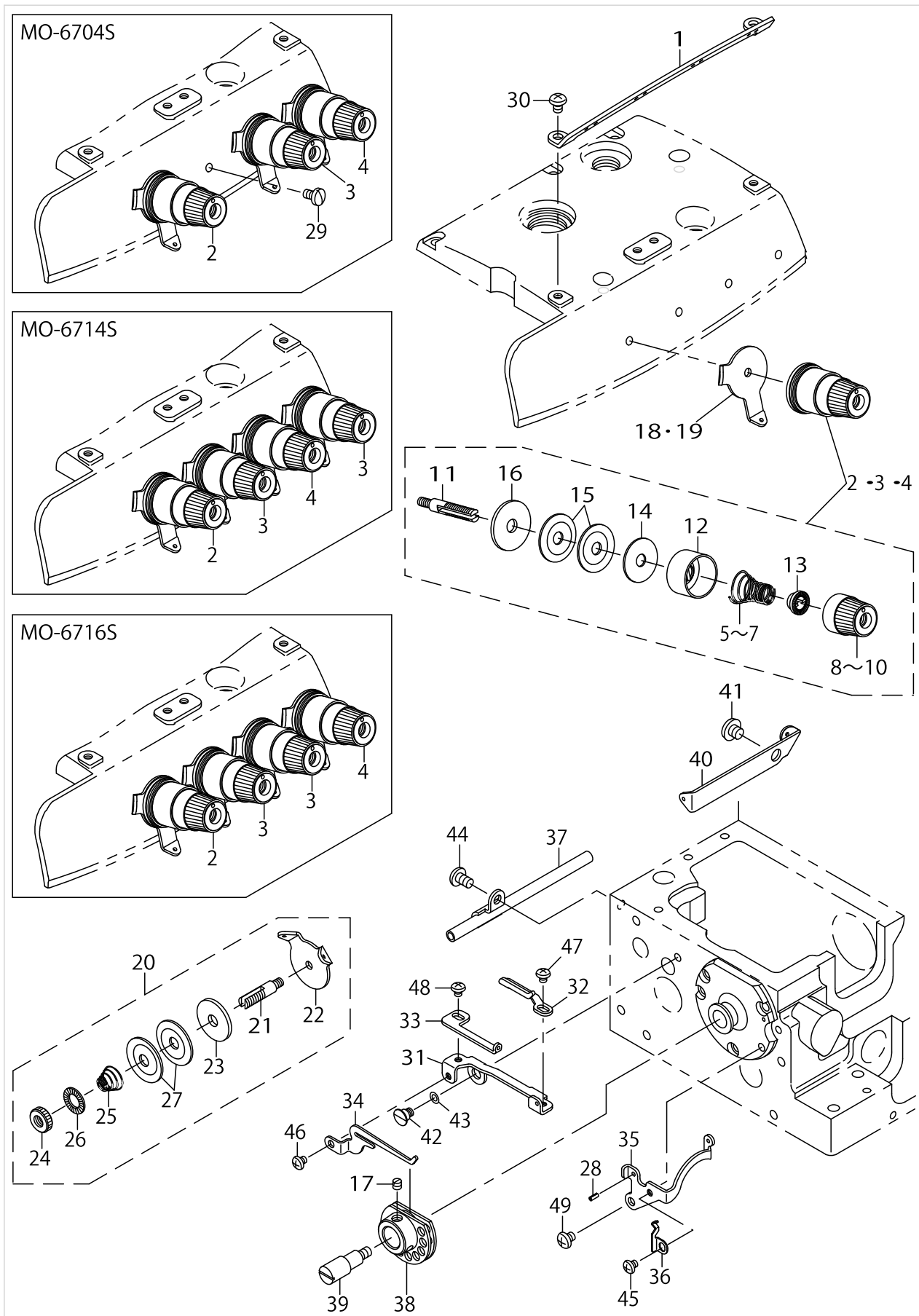
PRESSER FOOT COMPONENTS (2)



PRESSER FOOT COMPONENTS (2)

No.	Supply Code	Parts No.	Replacement	Parts name	Remarks	Choice	Step	Level	Cons	Qty	Rep. QTY
47		13178405		FINGER GUIDE				*		1	
48		12156907		PRESSER FOOT HINGE				*		1	

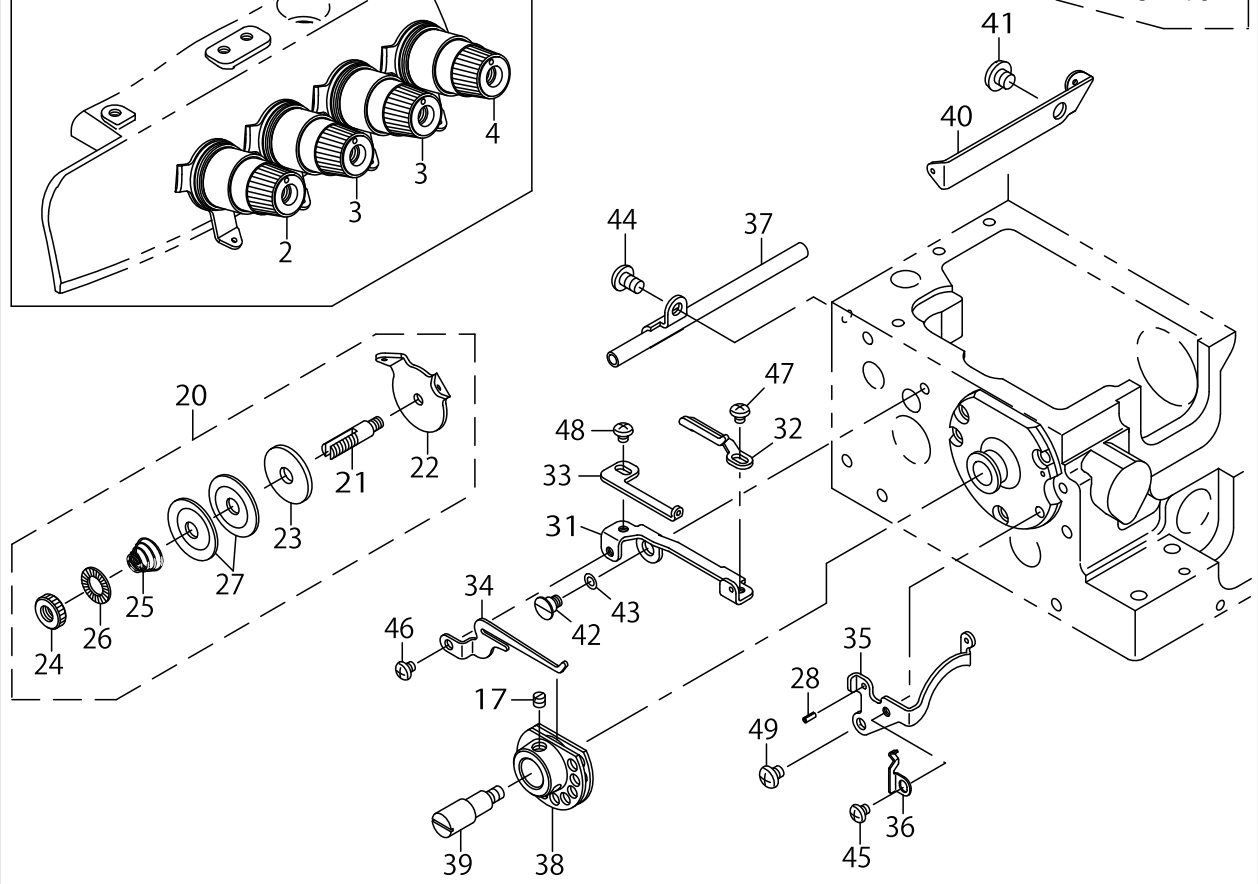
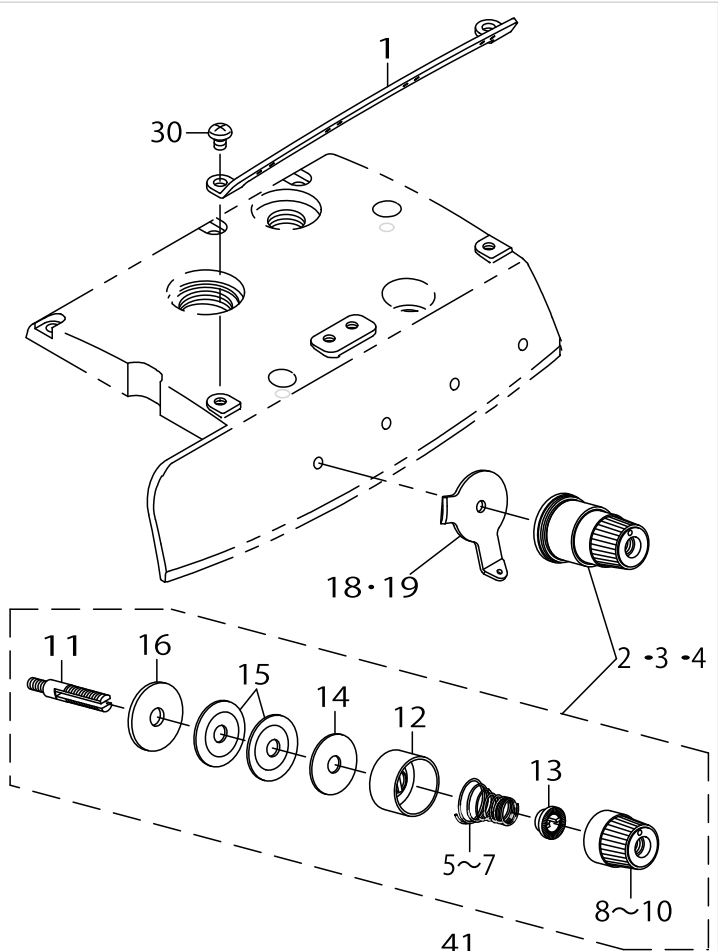
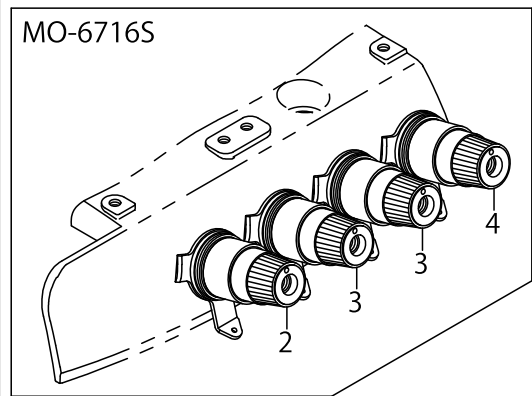
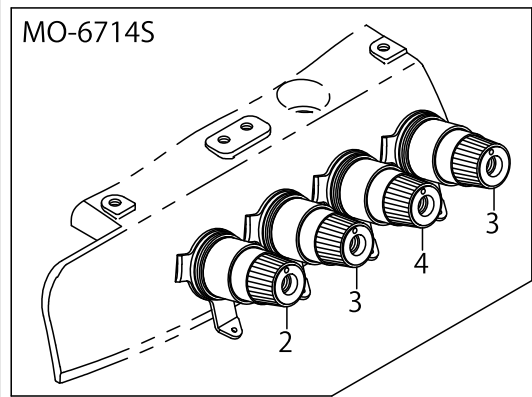
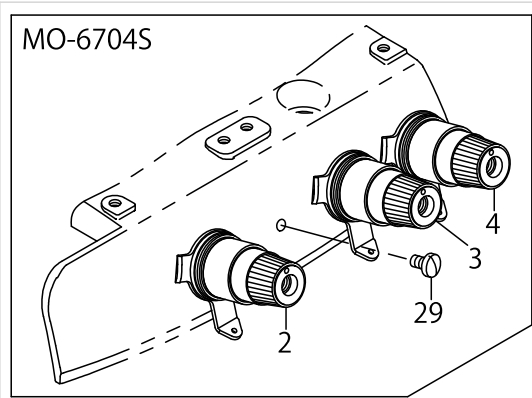
THREAD TENSION COMPONENTS



THREAD TENSION COMPONENTS

No.	Supply Code	Parts No.	Replacement	Parts name	Remarks	Choice	Step	Level	Cons	Qty	Rep. QTY
1		13225008		CENTER THREAD GUIDE						1	
2		13137559		THREAD TENSION SPRING COMPL.						1	
3		13138359		THREAD TENSION SPRING COMPL.	FOR MO-6-704S(1 PC. IS USED.) FOR MO-6-714S,MO-6-916S (2 PC. ARE USED.)					1	
4		13138656		THREAD TENSION SPRING COMPL.						1	
5		13137807		THREAD TENSION SPRING RED				*		1	
6		13138508		THREAD TENSION SPRING YELLOW				*		1	
7		13138805		THREAD TENSION SPRING BLUE				*		1	
8		13137708		THREAD TENSION KNOB RED				*		1	
9		13138409		THREAD TENSION KNOB YELLOW				*		1	
10		13138706		THREAD TENSION KNOB BLUE				*		1	
11	R	13138904	13137559	THREAD TENSION BAR		A	A:	*		1	1.00
11	R	13138904	13138359	THREAD TENSION BAR		B	B:	*		1	1.00
11	R	13138904	13138656	THREAD TENSION BAR		C	C:	*		1	1.00
12		13137609		THREAD TENSION DISK PRESSER				*		1	
13		13137906		SPRING BUSHING				*		1	
14		13138102		THREAD TENSION SPRING FELT				*		1	
15		13138201		THREAD TENSION DISK				*		2	
16		13138003		THREAD TENSION RUBBER WASHER				*		1	
17		SS8110410TP		SCREW 11/64-40 L=3.5	FOR MO-6716S					2	
18		13225107		TESION DISK THREAD GUIDE	FOR MO-6704S					3	
19		13225107		TESION DISK THREAD GUIDE	FOR MO-6-714S,MO-6716S					4	
20		13139555		THREAD TENSION POST CONPL.	FOR MO-6716S					1	
21	R	13140009	13139555	THREAD TENSION POST				*		1	1.00
22		13139605		TESION DISK THREAD GUIDE				*		1	
23		13139902		THREAD TENSION SPRING FELT				*		1	
24		13139803		THREAD TENSION NUT				*		1	
25		13139704		THREAD TENSION SPRING				*		1	
26		22921407		ROTATION STOPPER				*		1	
27		13138201		THREAD TENSION DISK				*		2	
28		PS0200052KH		SPRING PIN 2.3X5	FOR MO-6716S					1	
29		SS7110710SL		SCREW 11/64-40 L=7.0	FOR MO-6704S					1	
30		SS4110615SP		SCREW 11/64-40 L=6						2	
31		13128202		THREAD CAM THRE-AD GUIDE BASE	FOR MO-6716S					1	
32		13128301		THREAD CAM THREAD GUIDE A	FOR MO-6716S					1	
33		13128400		THREAD CAM THREAD GUIDE B	FOR MO-6716S					1	
34		13128509		LOWER THREAD CAM HOOK	FOR MO-6716S					1	
35		13128608		LOWER THREAD GUIDE	FOR MO-6716S					1	
36		13128707		THREAD GUIDE BASE SPRING	FOR MO-6716S					1	
37		13129259		LOOPER THREAD CAM ASM.	FOR MO-6716S					1	
38		13129457		LOWER THREAD CAM COMPL.	FOR MO-6716S					1	
39	R	B2202816000	13130000	SHAFT	FOR MO-6716S					1	1.00

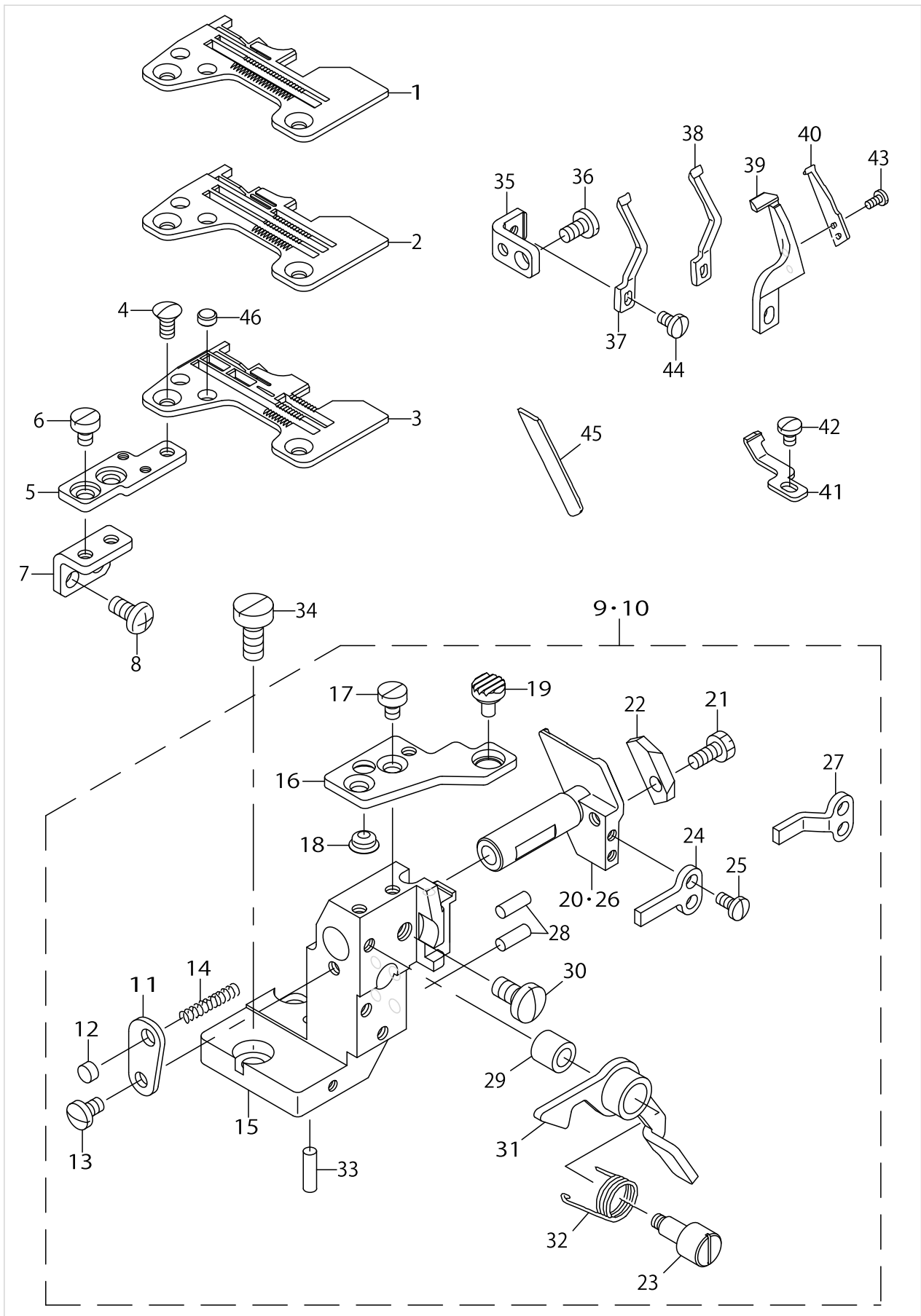
THREAD TENSION COMPONENTS



THREAD TENSION COMPONENTS

No.	Supply Code	Parts No.	Replacement	Parts name	Remarks	Choice	Step	Level	Cons	Qty	Rep. QTY
40		13129101		LOWER THREAD CONDUIT GUIDE	FOR MO-6716S					1	
41		SS5150510SP		SCREW 15/64-28 L=5	FOR MO-6716S					1	
42		SD0600341TP		HINGE SCREW D=6.0 H=3.4	FOR MO-6716S					1	
43		WZ0640312K0		WAVED WASHER	FOR MO-6716S					1	
44		SM4050855SP		SCREW M5 L=8	FOR MO-6716S					1	
45		SS4090415SP		SCREW 9/64-40 L=4	FOR MO-6716S					1	
46		SS4090415SP		SCREW 9/64-40 L=4	FOR MO-6716S					1	
47		SS4090415SP		SCREW 9/64-40 L=4	FOR MO-6716S					1	
48		SS4090415SP		SCREW 9/64-40 L=4	FOR MO-6716S					1	
49		SS4110515SP		SCREW 11/64-40 L=5	FOR MO-6716S					1	

LOWER KNIFE COMPONENTS

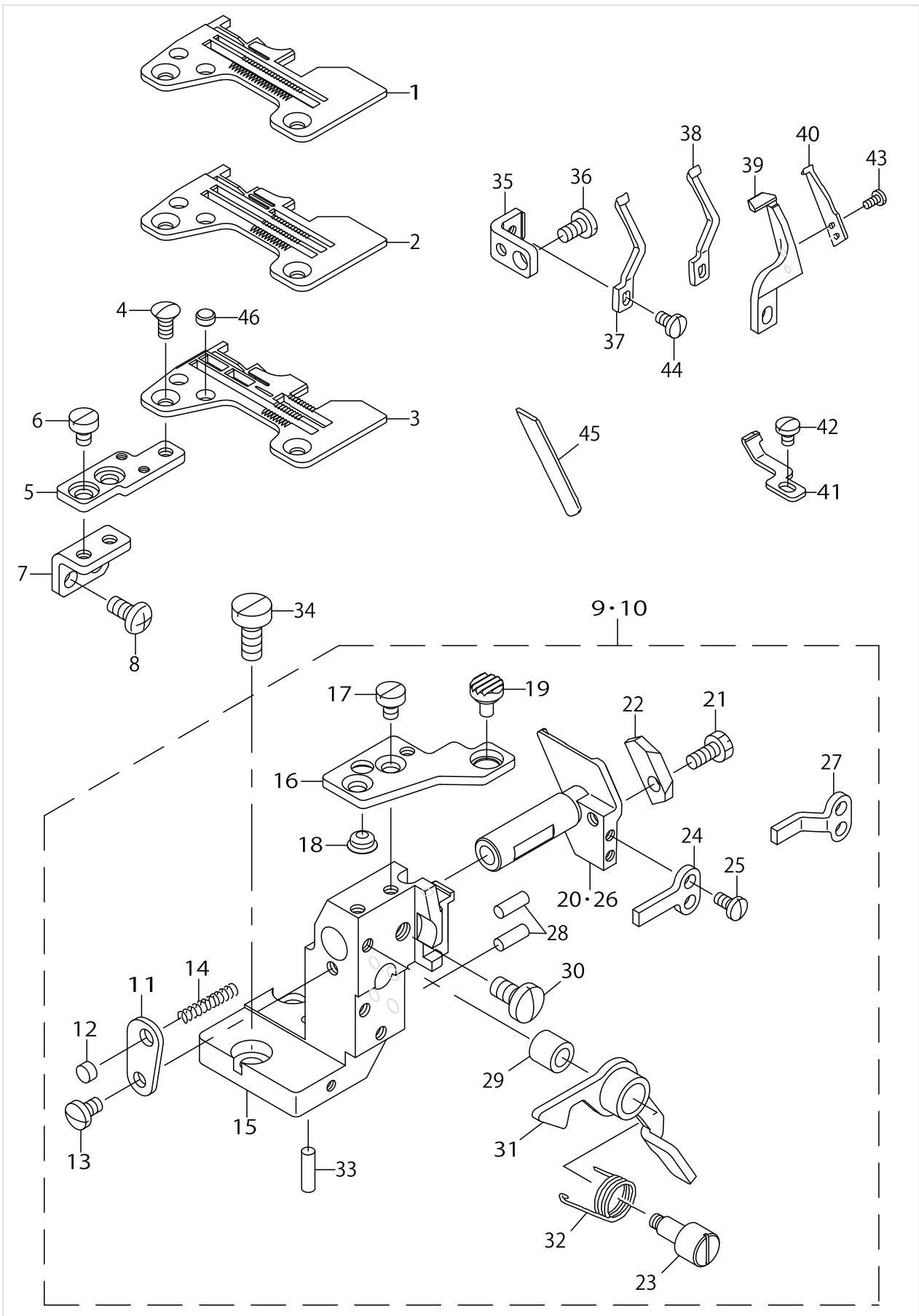


LOWER KNIFE COMPONENTS

No.	Supply Code	Parts No.	Replacement	Parts name	Remarks	Choice	Step	Level	Cons	Qty	Rep. QTY
1		R4200J6ED00		THROAT PLATE	FOR MO-6704S					1	
2		R4305J6EE00		THROAT PLATE	FOR MO-6714S					1	
3		R4508J6ED00		THROAT PLATE	FOR MO-6716S					1	
4		SS2110910SL		SCREW 11/64-40 L=9						2	
5		13151204		THROAT PLATE BASE B						1	
6		SS6110610TP		SCREW 11/64-40 L=6						2	
7		12288908		THROAT PLATE BASE B SUPPORT						1	
8		SM4051055SP		SCREW						2	
9		13232657		LOWER KNIFE BRACKET ASM.	FOR MO-6-704S,MO-6714S					1	
10		13232756		LOWER KNIFE BRACKET ASM.	FOR MO-6716S					1	
11		13149307		SPRING STOPPER				*		1	
12		13102702		THROAT PLATE COVER				*		1	
13		SS7110720SP		SCREW 11/64-40 L=7				*		1	
14		13148101		SPRING				*		1	
15	R	13149406	13232657	LOWER KNIFE BRACKET		A		*		1	1.00
15	R	13149406	13232756	LOWER KNIFE BRACKET		B		*		1	1.00
16		13148309		THROAT PLATE BASE A				*		1	
17		SS6110610TP		SCREW 11/64-40 L=6				*		2	
18		13149109		RUBBER PLUG B				*		1	
19		13235304		RUBBER PLUG A				*		1	
20		13149505		LOWER KNIFE SLIDE STUD	FOR MO-6-704S,MO-6714S			*		1	
21		SS9111010SP		SCREW 11/64-40 L=9.5				*		1	
22		13149208		LOWER KNIFE PRESSER PLATE				*		1	
23	R	13148408	40173012	LEVER SHAFT				*		1	1.00
24		13149703		ROTATING STOPPER	FOR MO-6-704S,MO-6714S			*		1	
25		SS7090710SP		SCREW 9/64-40 L=6.8				*		2	
26		13149604		LOWER KNIFE SLIDE STUD	FOR MO-6716S			*		1	
27		13149802		ROTATING STOPPER	FOR MO-6716S			*		1	
28		13149901		HOLDER PIN				*		2	
29		13148903		RUBBER PLUG				*		1	
30		SS7151120SP		SCREW15/64-28L=11				*		1	
31		13148556		LEVER ASM.				*		1	
32		13148804		LEVER SPRING				*		1	
33		13149901		HOLDER PIN				*		1	
34		SS6151440SP		SCREW15/64-28L=14				*		2	
35		13151105		NEEDLE HOLDER SUPPORT				*		1	
36		SS7110840SP		SCREW 11/64-40 L=7.8				*		1	
37		11890100		NEEDLE GUARD	FOR MO-6704S			*		1	
38		11890308		NEEDLE GUARD	FOR MO-6714S			*		1	
39		12015301		NEEDLE HOLDER	FOR MO-6716S			*		1	
40		12015400		NEEDLE HOLDER	FOR MO-6716S			*		1	
41		12177903		NEEDLE HOLDER	FOR MO-6716S			*		1	
42		SS7090510SP		SCREW 9/64-40 L=4.6	FOR MO-6716S			*		1	

オーバ-ロッカー用(~04,~14-)/For Overlock (04/14)
 インターロッカー用(~16)/For Safety stitch (16)

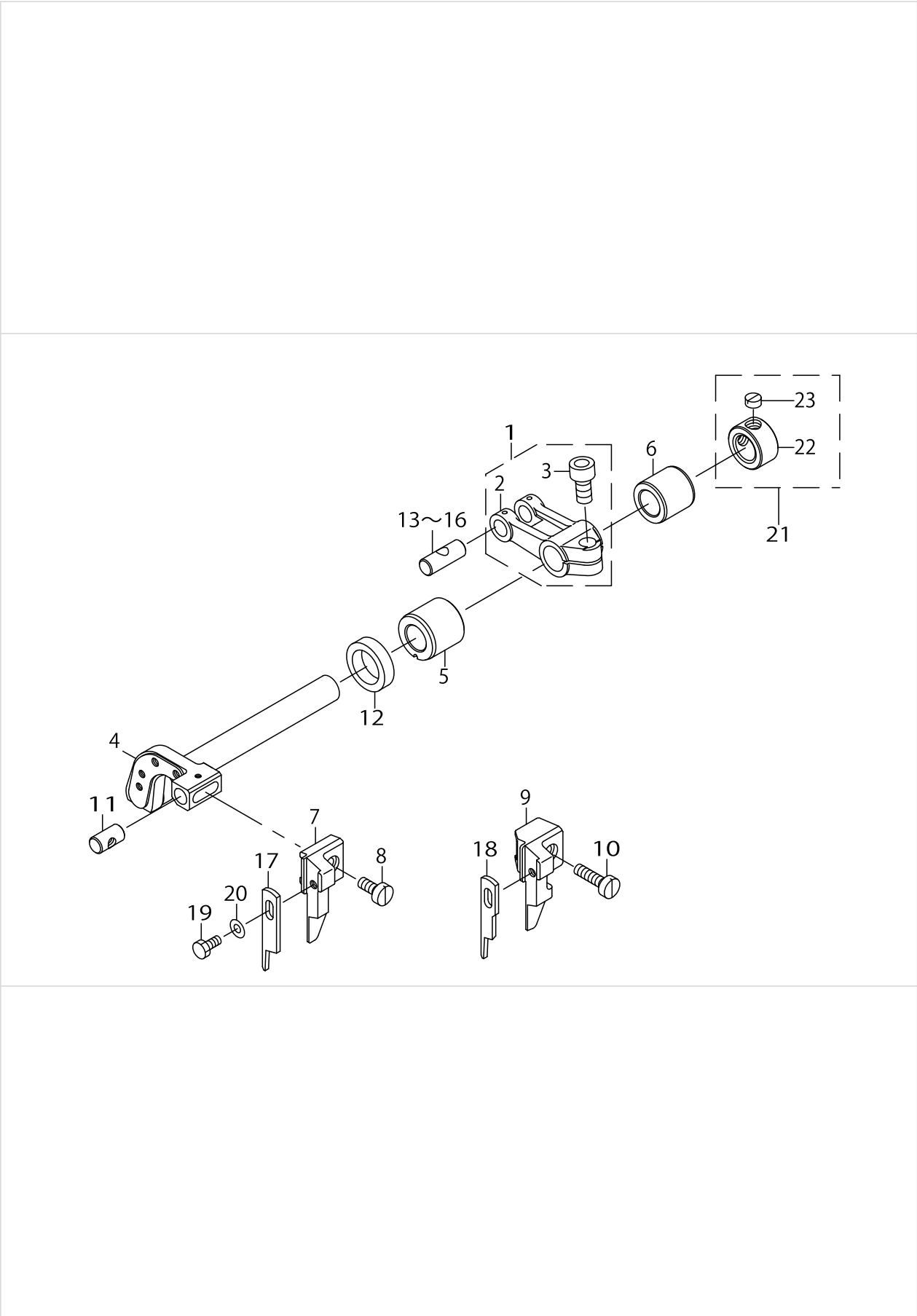
LOWER KNIFE COMPONENTS



LOWER KNIFE COMPONENTS

No.	Supply Code	Parts No.	Replacement	Parts name	Remarks	Choice	Step	Level	Cons	Qty	Rep. QTY
43		SS7060510SP		SCREW 3/32-56 L=4.8	FOR M0-6716S					2	
44		SS7090610SP		SCREW 9/64-40 L=6						1	
45		13150701		LOWER KNIFE						1	
46		13102702		THROAT PLATE COVER						2	

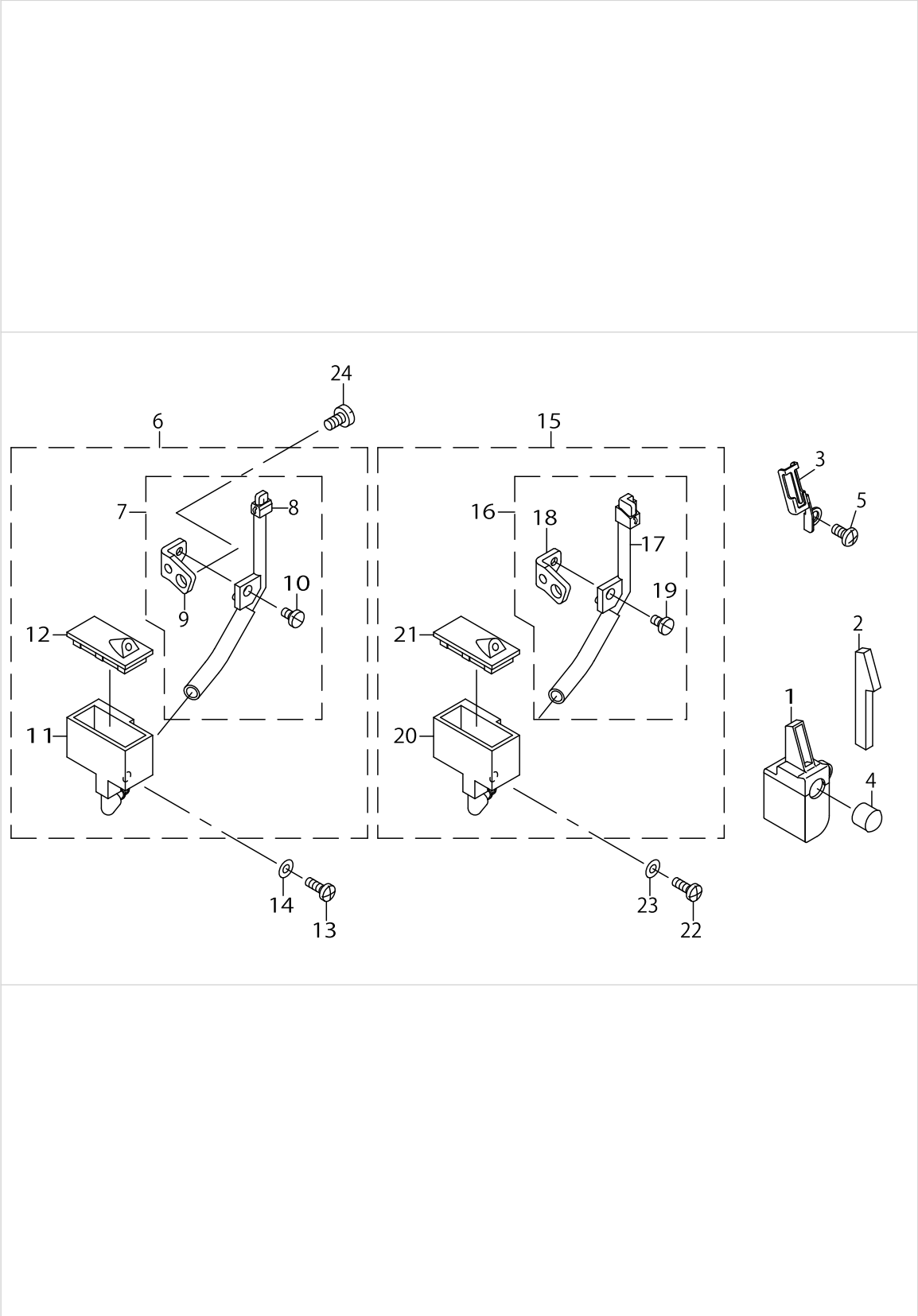
UPPER KNIFE COMPONENTS



UPPER KNIFE COMPONENTS

No.	Supply Code	Parts No.	Replacement	Parts name	Remarks	Choice	Step	Level	Cons	Qty	Rep. QTY
1		13147558		FEED FORKED ARM ASM.						1	
2	R	13147509	13147558	FEED FORKED ARM				*		1	1.00
3		SM6061402TP		SCREW M6 L=14				*		1	
4		13151303		KNIFE DRIVING ARM SHAFT						1	
5		13150909		BUSHING FRONT						1	
6		13151006		BUSHING REAR						1	
7		13147400		PLAIN KNIFE SUPPORT A	FOR MO-6-704S,MO-6714S					1	
8		SS6111040SP		SCREW 11/64-40 L=9.5	FOR MO-6-704S,MO-6714S					1	
9		13147301		PLAIN KNIFE SUPPORT	FOR MO-6716S					1	
10		SS61111610SP		SCREW 11/64-40 L=16	FOR MO-6716S					1	
11		13150800		UPPER KNIFE GUIDE SHAFT						1	
12		11566809		OIL SEAL						1	
13		13122007		CRANK PIN A	SELECTIVE PARTS					1	
14		13122106		CRANK PIN B	SELECTIVE PARTS					1	
15		13122205		CRANK PIN C	SELECTIVE PARTS					1	
16		13122304		CRANK PIN D	SELECTIVE PARTS					1	
17		13150503		PLAIN KNIFE	FOR MO-6-704S,MO-6714S					1	
18		13150602		PLAIN KNIFE	FOR MO-6716S					1	
19		SS9090823TP		BOLT 9/64-40 L=8						1	
20		WP0370316SD		WASHER 3.7X8X0.3						1	
21		CS111101HSH		THRUST COLLAR ASM.						1	
22		CS1111019SH		THRUST COLLAR D=11.11 W=10				*		1	
23		SS8660330SP		SCREW 1/4-40 L= 3.0				*		1	

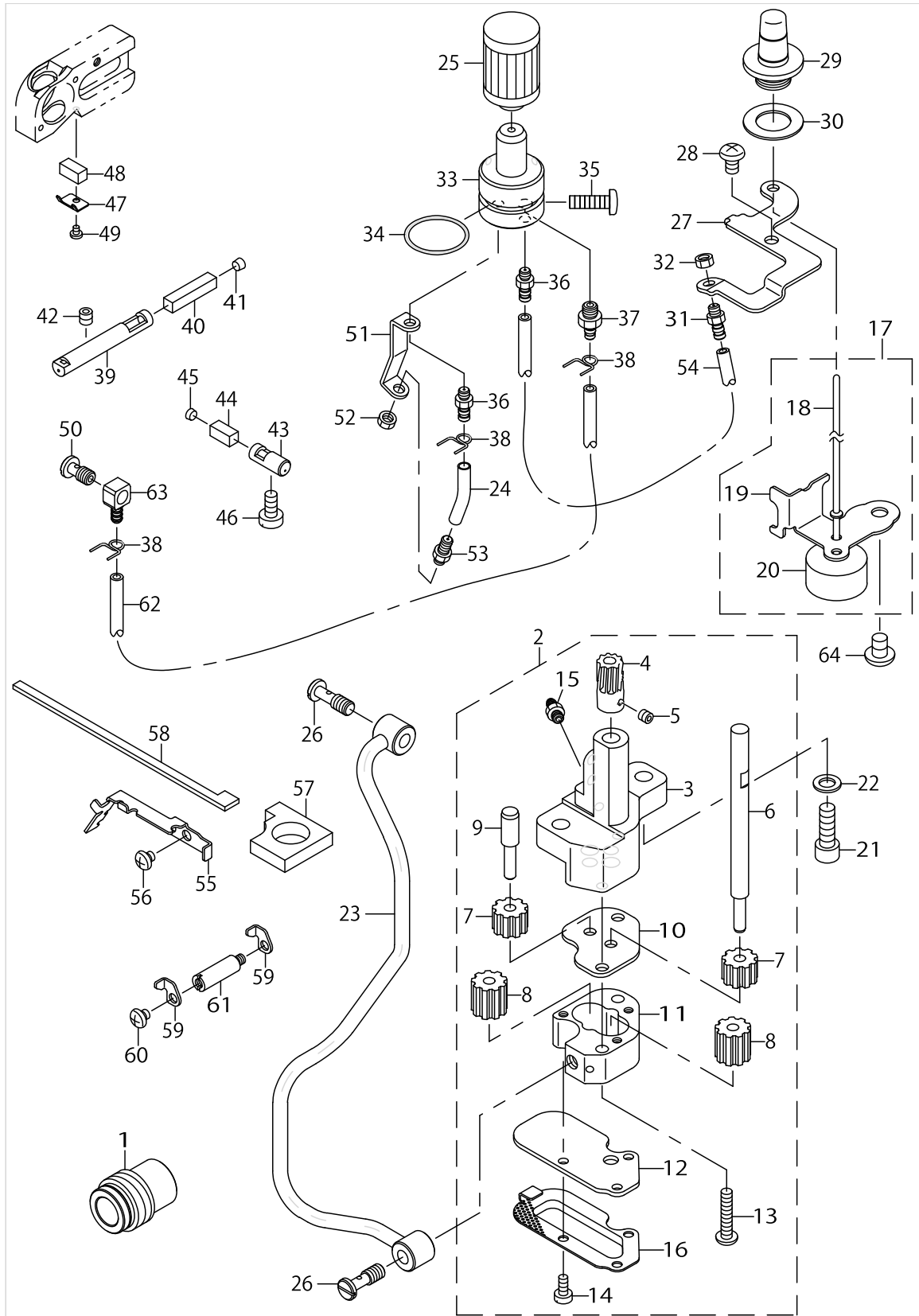
NEEDLE COOLING MECHANISM COMPONENTS (FOR SH)



NEEDLE COOLING MECHANISM COMPONENTS (FOR SH)

No.	Supply Code	Parts No.	Replacement	Parts name	Remarks	Choice	Step	Level	Cons	Qty	Rep. QTY
1		13163456		SILICON TANK ASM.						1	
2		13163803		NEEDLE THREAD FELT						1	
3		13163902		NEEDLE THREAD FELT PRESSER						1	
4		TA0950806R0		RUBBER PLUG						1	
5		SM4040855SP		SCREW						1	
6		13162557		NEEDLE COOLER U-NIT ASM. (OVER)	FOR MO-6-704S,MO-6714S					1	
7	R	13162565	13162581	NEEDLE COOLER UNIT COMPL.				*		1	1.00
8	R	13162573	13162581	NEEDLE COOLER U-NIT ASM. (OVER)				*		1	1.00
9		13162805		NEEDLE COOLER SUPPORT				*		1	
10		SS7090610SP		SCREW 9/64-40 L=6				*		1	
11		13162904		TANK				*		1	
12		13163001		TANK COVER				*		1	
13		SS4091015SP		SCREW 9/64-40 L=10						1	
14		WP0371026SD		WASHER 3.7X7X1						1	
15		13163159		NEEDLE COOLER U-NIT ASM.(INTER)	FOR MO-6716S					1	
16	R	13163167	13163183	NEEDLE COOLER COMPL.(INTER)				*		1	1.00
17	R	13163175	13163183	NEEDLE COOLER ASM.(INTER)				*		1	1.00
18		13162805		NEEDLE COOLER SUPPORT				*		1	
19		SS7090610SP		SCREW 9/64-40 L=6				*		1	
20		13162904		TANK				*		1	
21		13163001		TANK COVER				*		1	
22		SS4091015SP		SCREW 9/64-40 L=10						1	
23		WP0371026SD		WASHER 3.7X7X1						1	
24		SS7110840SP		SCREW 11/64-40 L=7.8						1	

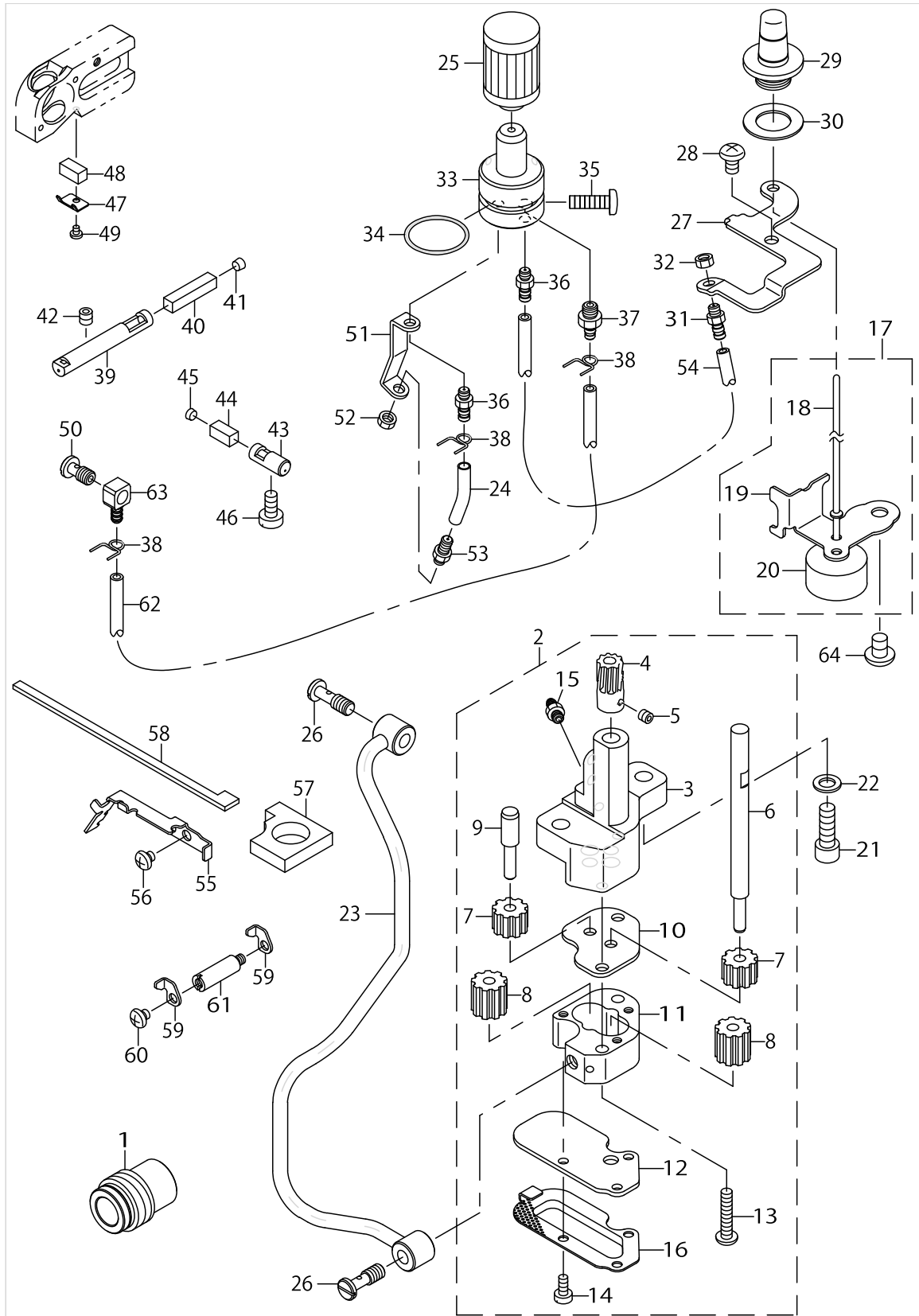
LUBRICATION MECHANISM COMPONENTS



LUBRICATION MECHANISM COMPONENTS

No.	Supply Code	Parts No.	Replacement	Parts name	Remarks	Choice	Step	Level	Cons	Qty	Rep. QTY
1		13230305		WORM						1	
2		40018044		OIL PUMP ASM						1	
3	R	12315909	40018044	OIL PUMP				*		1	1.00
4		13343009		WORM WHEEL				*		1	
5		SM8050412TP		SCREW M5 L=4				*		2	
6	R	11918109	40018044	GEAR PUMP SHAFT LARGE				*		1	1.00
7	R	B3534352000	13228309	PINION GEAR				*		2	1.00
8		11840303		OIL PUMP PINION				*		2	
9	R	12317004	40018044	GEAR PUMP SHAFT		A	MO6700/6900G	*		1	1.00
9	R	12317004	40018045	GEAR PUMP SHAFT		B	MO6900R/6900J	*		1	1.00
10	R	12316006	40018044	PINION SPACER				*		1	1.00
11	D	12316105		CASING				*		1	
12	R	40016762	40018044	PUMP COVER		A	MO-6700.6900G.S	*		1	1.00
12	R	40016762	40018045	PUMP COVER		B	MO-6900C.J.R	*		1	1.00
12	R	40016762	40109455	PUMP COVER				*		1	1.00
13		SS4112215SP		SCREW11/64-40L=22				*		2	
14		SS6090810SP		SCREW 9/64-40 L=7.5				*		3	
15		SQ1110401MZ		CONNECTINGSCREW				*		1	
16		40016763		PUMP NET				*		1	
17		13229356		FLOAT ASM.						1	
18		12129904		OIL GAUGE BAR				*		1	
19		13229307		FLOAT SUPPORT				*		1	
20		12129805		FLOAT				*		1	
21		SM6061802TP		SCREW M6 L=18						2	
22		WP0651056SD		WASHER 6.5X11X1						2	
23		13228655		LUBRICATION MEC- HANISM PIPE ASM						1	
24		BP30000010R		VINYL PIPE						.03	
25		13142500		CARTRIDGE FILTER						1	
26		SQ1150454SD		CONNECTINGSCREW						2	
27	D	13143805		EXHAUST PORT SUPPORT						1	
28		SM4050855SP		SCREW						1	
29		13143300		OIL GAUGE						1	
30		13144001		OIL GAUGE GASKET						1	
31		SQ1110451MZ		CONNECTINGSCREW						1	
32		NS6110310SP		NUT 11/64-40						1	
33		13142955		FILTER GUIDE ASM.						1	
34		13170808		RUBBER RING						1	
35		SM4051601SC		SCREW M5X0.8 L=16						1	
36		SQ1110451MZ		CONNECTINGSCREW						2	
37		SQ1150451MZ		CONNECTINGSCREW						1	
38		13142609		OIL TUBE HOLDER						3	
39		13144100		OILING PIN						1	
40		13144209		OIL FELT						1	
41		TA0400301M0		PLUG D=4X4.5 L=3						1	
42		SM8050502TP		SCREW M5 L=5						1	
43		13143417		UPPER LOOPER OILING PIN						1	

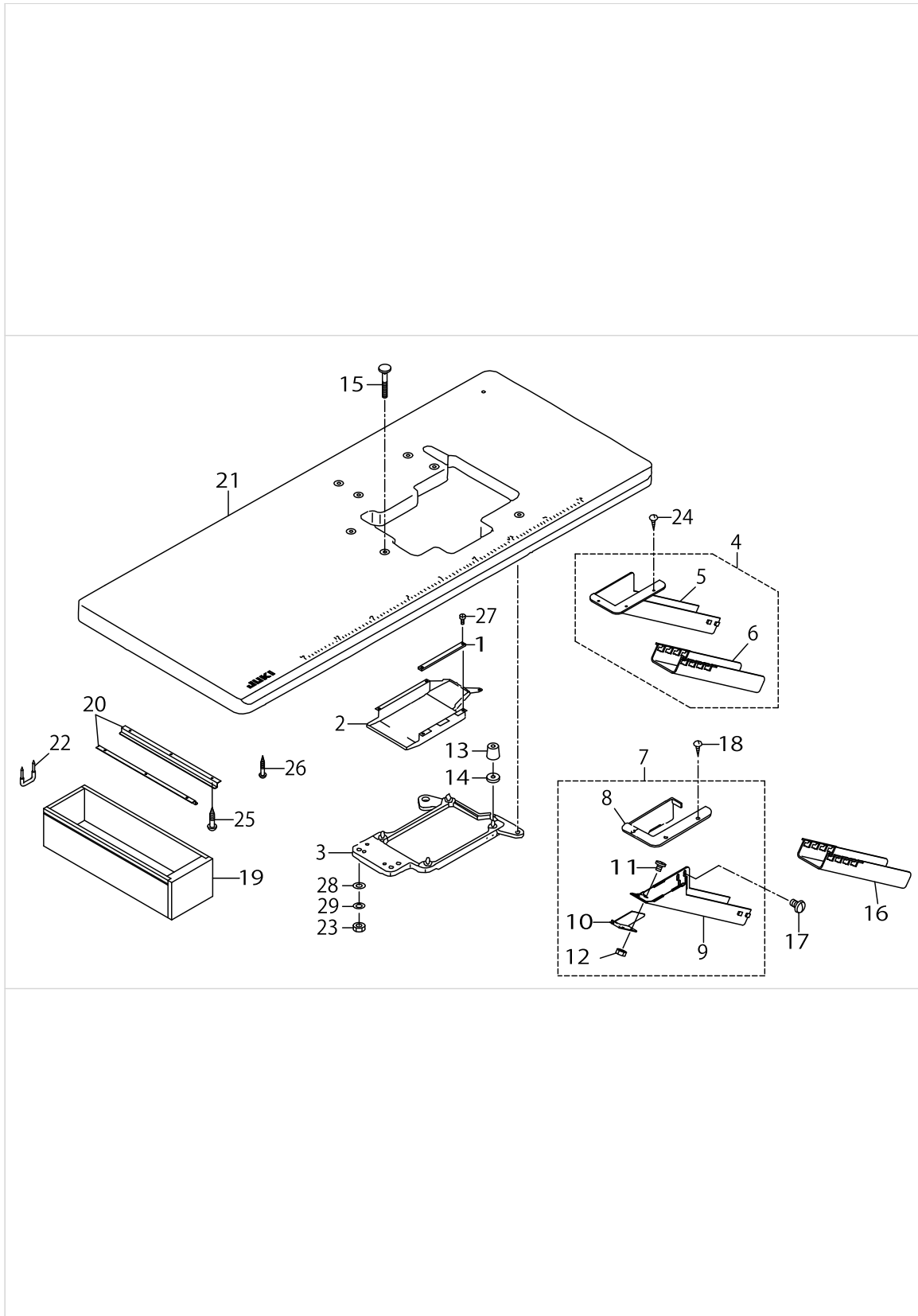
LUBRICATION MECHANISM COMPONENTS



LUBRICATION MECHANISM COMPONENTS

No.	Supply Code	Parts No.	Replacement	Parts name	Remarks	Choice	Step	Level	Cons	Qty	Rep. QTY
44		13143508		OIL FELT						1	
45		13230107		UPPER LOOPER OILING PIN PLUG						1	
46		SS6121020SP		SCREW 3/16-28 L=9.5						1	
47		13143607		OIL FELT PRESSER						1	
48		13143706		OIL FELT						1	
49		SS7060310SP		SCREW 3/32-56 L=3						1	
50		SQ1150441SD		CONNECTING SCREW						1	
51		13229208		WORM EXHAUST PORT GUIDE						1	
52		NS6110310SP		NUT 11/64-40						1	
53		SQ1110451MZ		CONNECTING SCREW						1	
54		23630007		TUBE						.17	
55		13228804		OIL FELT GUIDE						1	
56		31018005		SCREW						2	
57		13229109		OIL FELT B						1	
58		13229406		OIL FELT A						1	
59		13228903		OIL FELT PRESSER						2	
60		31018005		SCREW						1	
61		13229000		FELT PRESSER SPACER						1	
62		BP30000010R		VINYL PIPE						.29	
63		SQ0000451MZ		CONNECTING SCREW						1	
64		SM4060801SE		SCREW						1	

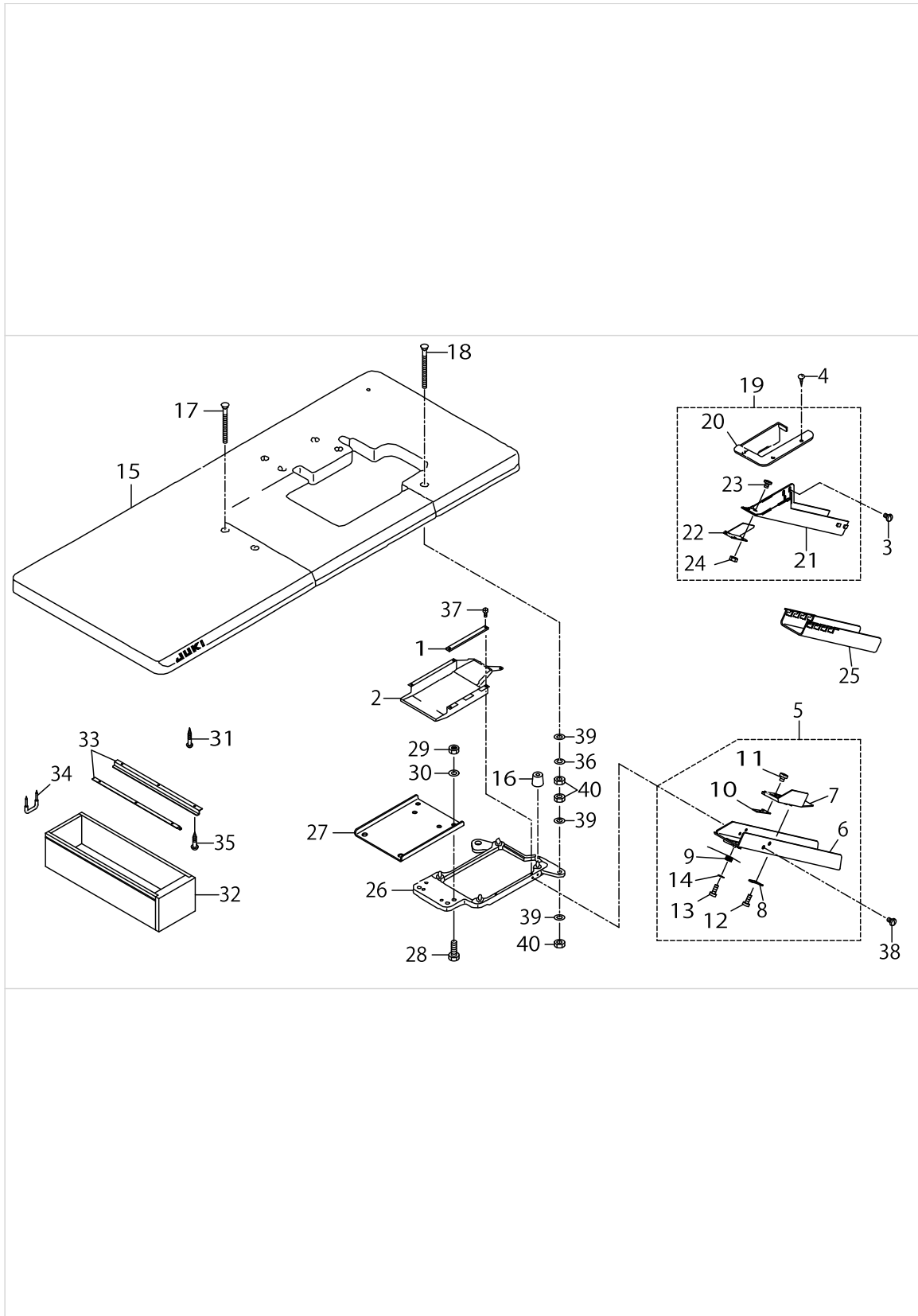
SEMI-SUNKEN TYPE TABLE COMPONENTS



SEMI-SUNKEN TYPE TABLE COMPONENTS

No.	Supply Code	Parts No.	Replacement	Parts name	Remarks	Choice	Step	Level	Cons	Qty	Rep. QTY
1		13161005		CASE SPONGE						1	
2		13160908		COOLING FAN CASE						1	
3		13161153		FRAME SUPPORT PLATE ASM.						1	
4		12341954		CLOTH WASTE CHUTE ASM.	EXCEPT JE					1	
5		12341905		CLOTH WASTE CHUTE(SEMI-SUNKEN)				*		1	
6		12341806		CLOTH WASTE CHUTE				*		1	
7		13155759		CLOTH WASTE CHUTE ASM.	FOR JE					1	
8	R	13155601	13155759	CLOTH WASTE CHUTE INLET				*		1	1.00
9	R	13155700	13155759	CLOTH WASTE CHUTE UPPER				*		1	1.00
10		13155502		CHUTE SUPPORT				*		1	
11		SS5090610SP		SCREW 9/64-40 L=6				*		3	
12		NS6090310SP		NUT 9/64-40				*		3	
13		13155403		DUST-PROOF RUBBER						4	
14		13156500		DUST-PROOF RUBBER SPACER						4	
15		13155007		HOLDING PLATE BOLT						4	
16		12341806		CLOTH WASTE CHUTE	FOR JE					1	
17		SS5110710SP		SCREW 11/64-40 L=7	FOR JE					2	
18		SK2351600SC		WOOD SCREW D=3.5 L=16	FOR JE					3	
19	R	11155108	11155157	DRAWER						1	1.00
20		11155207		DRAWER SUPPORT						2	
21		11959400		TABLE (SEMI-SUNKEN)						1	
22		D8204555D00		DRAWER STOPPER						1	
23		NS6240630SE		NUT 3/8-18						4	
24		SK2351600SC		WOOD SCREW D=3.5 L=16	EXCEPT JE					3	
25	D	SK3311500SC		WOOD SCREW D=3.1 L=15						6	
26	R	SK3513200SC	SK3513201SE	WOOD SCREW D=5.1 L=32						4	1.00
27		SS6090630TP		SCREW 9/64-40 L=6						5	
28		WP1002036SE		WASHER 10X21X2						4	
29		WS1002560KR		SPRING WASHER 10X18X2.5						4	

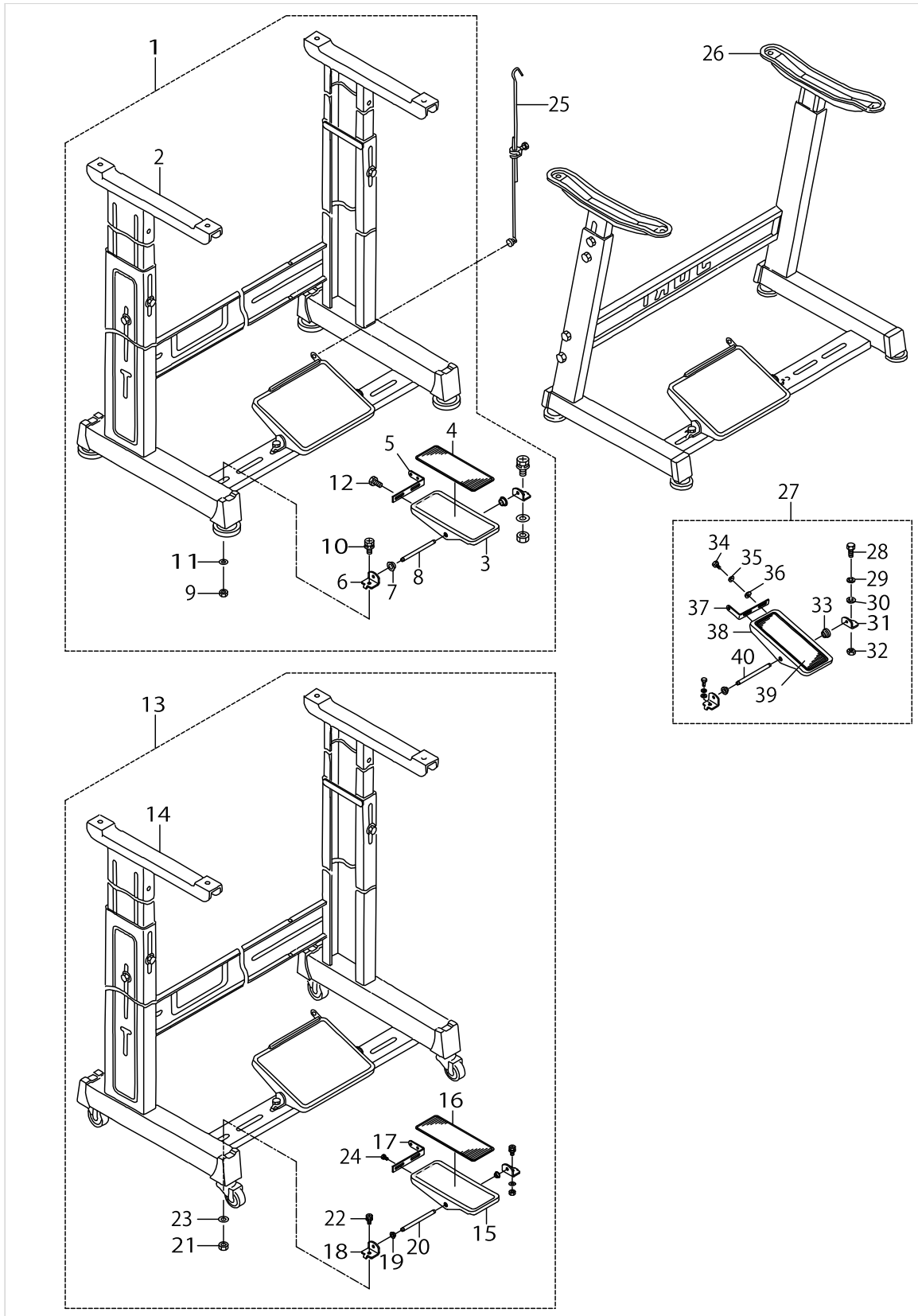
FULLY-SUNKEN TYPE TABLE COMPONENTS



FULLY-SUNKEN TYPE TABLE COMPONENTS

No.	Supply Code	Parts No.	Replacement	Parts name	Remarks	Choice	Step	Level	Cons	Qty	Rep. QTY
1		13161005		CASE SPONGE						1	
2		13160908		COOLING FAN CASE						1	
3		SS5110710SP		SCREW 11/64-40 L=7	FOR JE					2	
4		SK2351600SC		WOOD SCREW D=3.5 L=16	FOR JE					3	
5		13155858		CLOTH WASTE CHUTE ASM.	EXCEPT JE					1	
6	R	13156203	13155858	CLOTH WASTE CHUTE				*		1	1.00
7	R	13156302	13155858	CLOTH WASTE CHUTE INLET				*		1	1.00
8	R	13155908	13155858	CHUTE INLET LEVER				*		1	1.00
9	R	13156005	13155858	CHUTE INLET SPRING				*		1	1.00
10	R	13156104	13155858	CHUTE INLET RUBBER				*		1	1.00
11		SS6090420SP		SCREW 9/64-40 L=4.0				*		2	
12		ST60308210A		SCREW D=3-24 L=8				*		2	
13		ST60308210A		SCREW D=3-24 L=8				*		1	
14		WP0370316SD		WASHER 3.7X8X0.3				*		1	
15		11959558		TABLE ASM.						1	
16		13155403		DUST-PROOF RUBBER						4	
17		13155106		HOLDING PLATE BOLT C						2	
18		13155205		HOLDING PLATE BOLT D						2	
19		13155759		CLOTH WASTE CHUTE ASM.	FOR JE					1	
20	R	13155601	13155759	CLOTH WASTE CHUTE INLET				*		1	1.00
21	R	13155700	13155759	CLOTH WASTE CHUTE UPPER				*		1	1.00
22		13155502		CHUTE SUPPORT				*		1	
23		SS5090610SP		SCREW 9/64-40 L=6				*		3	
24		NS6090310SP		NUT 9/64-40				*		3	
25		12341806		CLOTH WASTE CHUTE	FOR JE					1	
26		13161153		FRAME SUPPORT PLATE ASM.						1	
27		13155304		FRAME HOLDING P-LATE COUPLING						1	
28		SM9082513CF		SCREW M8 L=25						4	
29		NM6080600SM		NUT M8						4	
30		WP0850002SC		WASHER 8.5X18X1.6						4	
31	R	SK3513200SC	SK3513201SE	WOOD SCREW D=5.1 L=32						4	1.00
32	R	11155108	11155157	DRAWER						1	1.00
33		11155207		DRAWER SUPPORT						2	
34		D8204555D00		DRAWER STOPPER						1	
35	D	SK3311500SC		WOOD SCREW D=3.1 L=15						6	
36		WS1002560KR		SPRING WASHER 10X18X2.5						4	
37		SS6090630TP		SCREW 9/64-40 L=6						5	
38		SS5110710SP		SCREW 11/64-40 L=7	EXCEPT JE					2	
39		WP1002036SE		WASHER 10X21X2						12	
40		NS6240630SE		NUT 3/8-18						12	

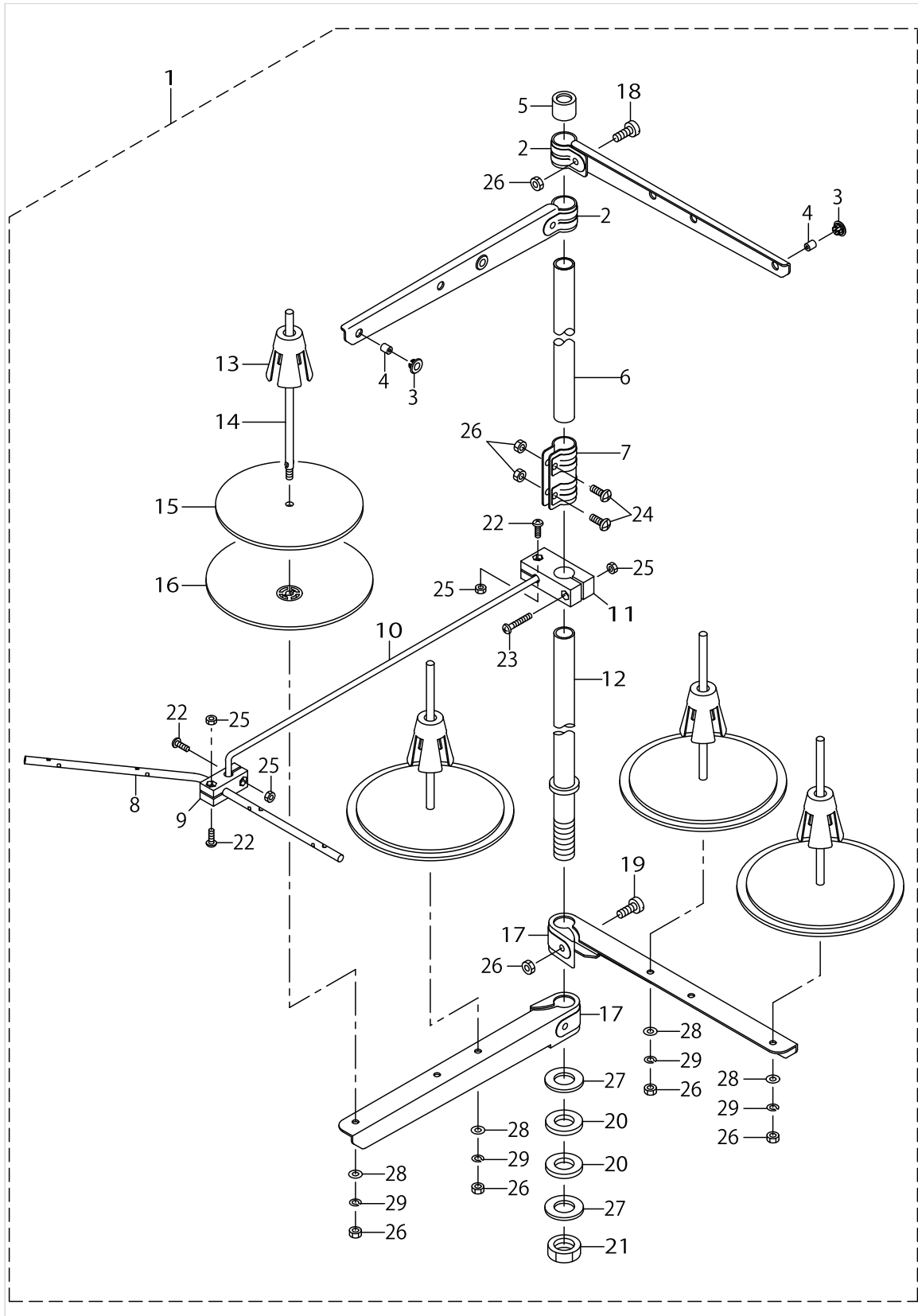
STAND COMPONENTS (Z-T)



STAND COMPONENTS (Z-T)

No.	Supply Code	Parts No.	Replacement	Parts name	Remarks	Choice	Step	Level	Cons	Qty	Rep. QTY
1		11960655		T STAND JUNCTION						1	
2		11157567		T LEG JUNCTION				*		1	
3	R	GPF06060000	GPF060600A0	PEDAL				*		1	1.00
4		GPF06070000		PEDAL MAT				*		1	
5		GPF06080000		PEDAL ADJUSTING PLATE				*		1	
6		11159001		PEDAL SHAFT BRACKET				*		2	
7		D8113555B00		PEDAL BUSHING				*		2	
8		B8153771000		PEDAL CONNECTING ROD				*		1	
9		NM6080001SE		NUT M8				*		2	
10		SL9082091SE		WASHER HEXAGONAL BOLT				*		2	
11		WP0871602SE		WASHER 8.7X18X1.6				*		2	
12		SL9061291SE		WASHER HEXAGONAL BOLT M6 L=12				*		2	
13	R	11960754	11159407	T STAND JUNCTION(WITH CASTER)		A				1	4.00
13	R	11960754	11960655	T STAND JUNCTION(WITH CASTER)		A				1	1.00
14		11159365		T STAND JUNCTION				*		1	
15	R	GPF06060000	GPF060600A0	PEDAL				*		1	1.00
16		GPF06070000		PEDAL MAT				*		1	
17		GPF06080000		PEDAL ADJUSTING PLATE				*		1	
18		11159001		PEDAL SHAFT BRACKET				*		2	
19		D8113555B00		PEDAL BUSHING				*		2	
20		B8153771000		PEDAL CONNECTING ROD				*		1	
21		NM6080001SE		NUT M8				*		2	
22		SL9082091SE		WASHER HEXAGONAL BOLT				*		2	
23		WP0871602SE		WASHER 8.7X18X1.6				*		2	
24		SL9061291SE		WASHER HEXAGONAL BOLT M6 L=12				*		2	
25		B71140120A0		MOTOR CONNECTING ROD ASM.						1	
26	D	11151065		Z LEG JUNCTION (B)						1	
27	D	B81517710A0		PEDAL ASM.						1	
28		SM9082023SE		SCREW M8 L=20				*		2	
29		WS0861410KR		SPRING WASHER 8.6X15X1.4				*		2	
30		WP0871602SE		WASHER 8.7X18X1.6				*		4	
31		11151909		PEDAL SHAFT BRACKET				*		2	
32		NM6080721SE		NUT M8				*		2	
33		D8113555B00		PEDAL BUSHING				*		2	
34		SM9061203SE		SCREW M6 L=12				*		2	
35		WS0621210KR		SPRING WASHER 6.2X11.4X1.2				*		2	
36		WP0671016SE		WASHER 6.7X13X1				*		2	
37	D	11246600		PEDAL ADJUSTING PLATE				*		1	
38	D	11246501		PEDAL				*		1	
39		B8152771000		PEDAL MAT				*		1	
40		B8153771000		PEDAL CONNECTING ROD				*		1	

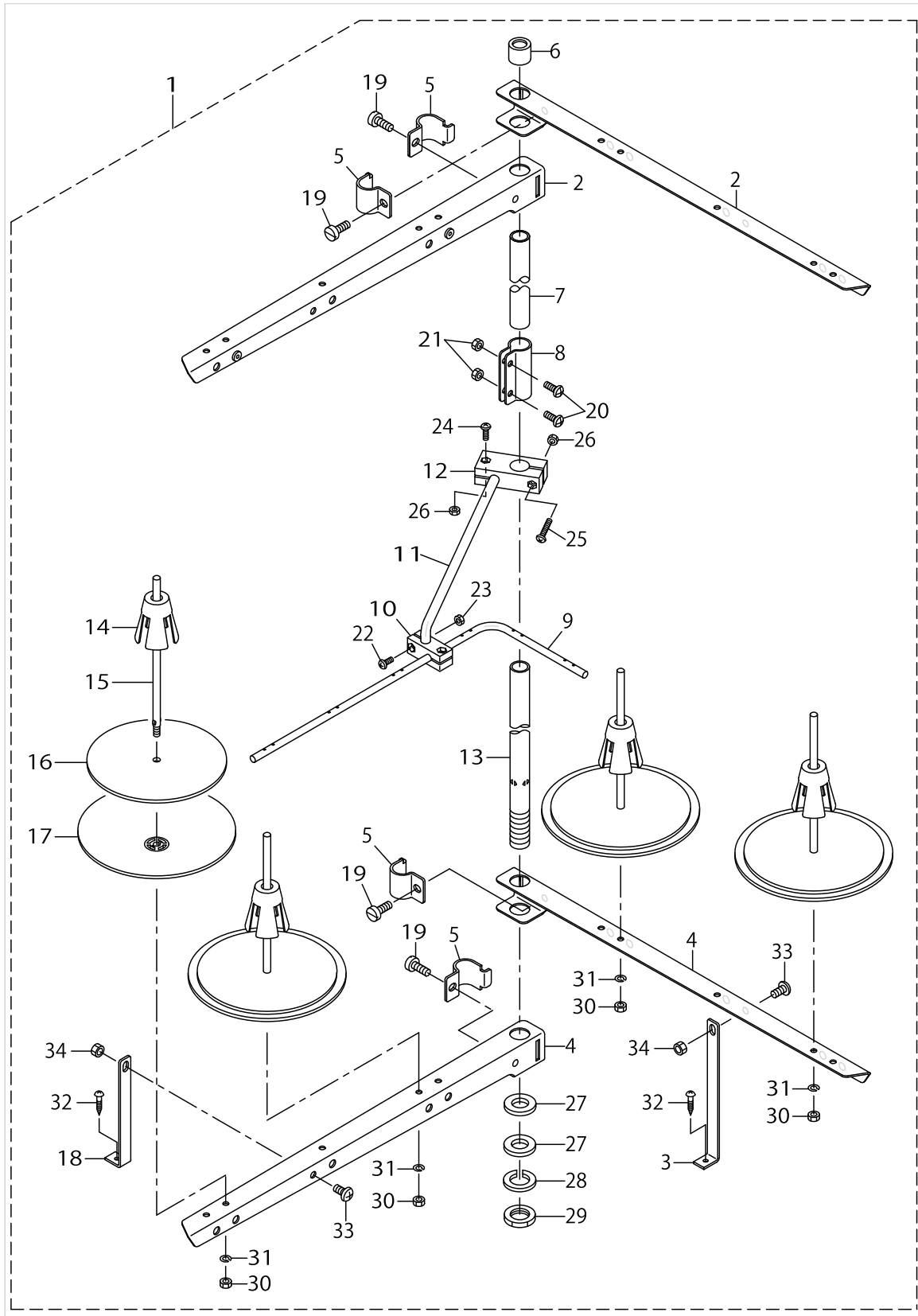
THREAD STAND COMPONENTS (FOR MO-6704S,MO-6714S)



THREAD STAND COMPONENTS (FOR MO-6704S,MO-6714S)

No.	Supply Code	Parts No.	Replacement	Parts name	Remarks	Choice	Step	Level	Cons	Qty	Rep. QTY
1	R	40106590	40106584	THREAD STAND ASM.						1	1.00
2		40085787		SPOOL REST ARM UPPER				*		2	
3		40085795		THREAD GUIDE BUSHING				*		4	
4		40085794		THREAD GUIDE				*		4	
5		40085793		SPOOL REST ROD RUBBER CAP				*		1	
6		40085785		SPOOL REST ROD UPPER				*		1	
7		40085792		SPOOL REST ROD JOINT				*		1	
8		40106582		THREAD GUIDE 4				*		1	
9		40106580		THREAD GUIDE UNDER BASE				*		1	
10		40106576		THREAD GUIDE ARM				*		1	
11		40106579		THREAD GUIDE ARM BASE				*		1	
12		40085784		SPOOL REST ROD LOWER				*		1	
13		40085791		SPOOL RETAINER				*		4	
14		40085790		SPOOL PIN				*		4	
15		40085789		SPOOL REST CUSHION				*		4	
16		40085788		SPOOL REST				*		4	
17		40085786		SPOOL REST ARM LOWER				*		2	
18	R	40096327	SM4053001SE	SPOOL REST ARM UPPER SCREW				*		2	1.00
19		40096326		SPOOL REST ARM LOWER SCREW				*		2	
20		40085796		SPOOL REST ROD RUBBER CUSHION				*		2	
21		40096325		SPOOL REST ROD NUT				*		1	
22		SM4041201SC		SCREW M4 L=12				*		3	
23		SM4042501SC		SCREW M4X0.7 L=25				*		1	
24		SM4051405SE		SCREW M5 L=14				*		2	
25	R	NM6040002SC	NM6040002SE	NUT M4				*		4	1.00
26		NM6050001SE		NUT M5				*		10	
27		WP1612616SE		WASHER 16X30X2.6				*		2	
28		WP0531001SC		WASHER M5				*		4	
29		WS0510002KN		SPRING WASHER M5				*		4	

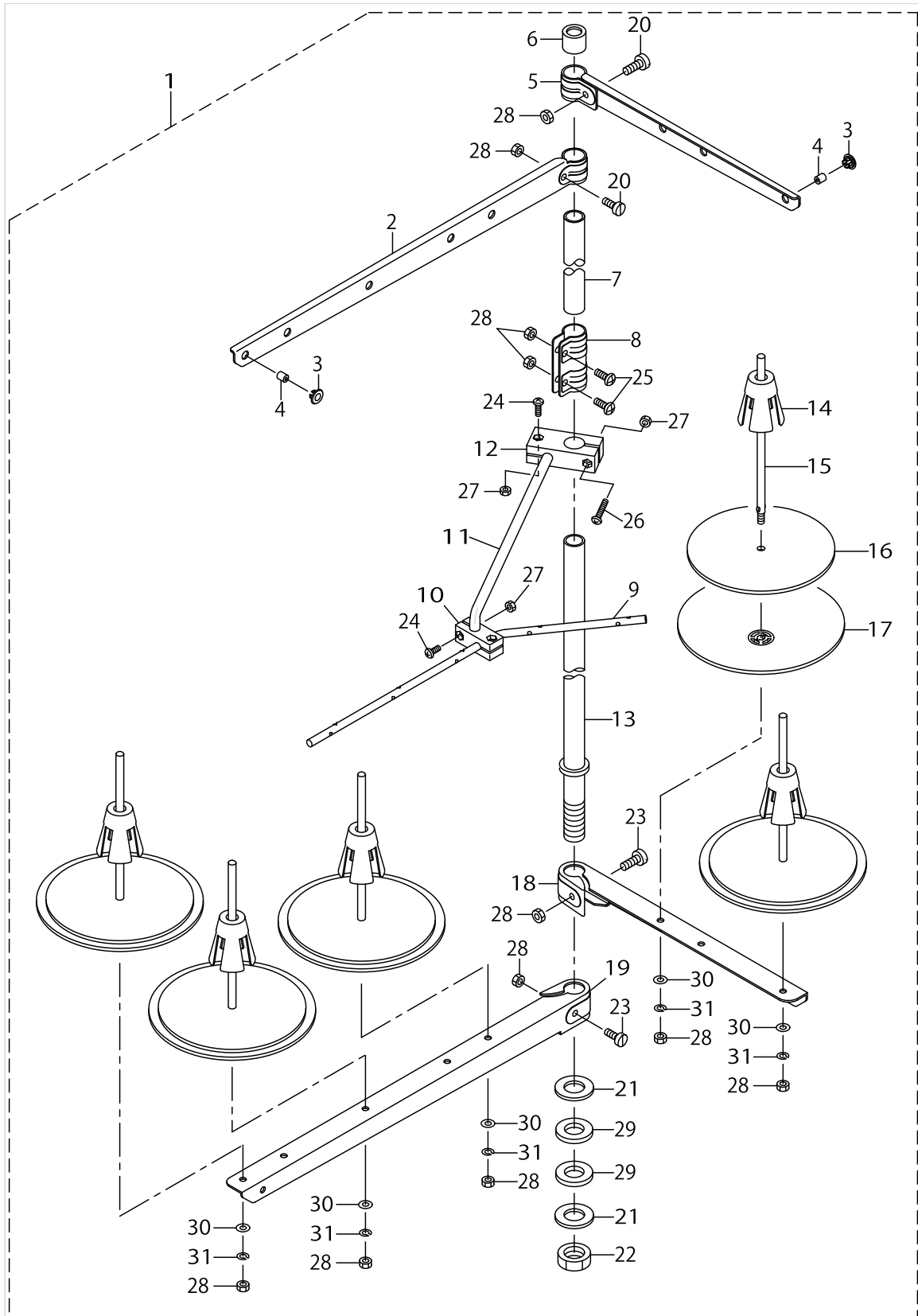
THREAD STAND COMPONENTS (MO-6704S,MO-6714S SPECIAL ORDER PARTS)



THREAD STAND COMPONENTS (MO-6704S,MO-6714S SPECIAL ORDER PARTS)

No.	Supply Code	Parts No.	Replacement	Parts name	Remarks	Choice	Step	Level	Cons	Qty	Rep. QTY
1		40106593		THREAD STAND ASM.						1	
2		40106575		SPOOL REST LONG ARM UPPER				*		2	
3		40085795		THREAD GUIDE BUSHING				*		4	
4		40085794		THREAD GUIDE				*		4	
5	R	40096327	SM4053001SE	SPOOL REST ARM UPPER SCREW				*		2	1.00
6		40106577		SPOOL REST ARM LOWER A				*		1	
7		40106574		SPOOL REST LONG ARM LOWER				*		2	
8		40096326		SPOOL REST ARM LOWER SCREW				*		2	
9		40106578		SPOOL REST ARM LOWER B				*		1	
10		40085784		SPOOL REST ROD LOWER				*		1	
11		40096325		SPOOL REST ROD NUT				*		1	
12		40085789		SPOOL REST CUSHION				*		4	
13		40085796		SPOOL REST ROD RUBBER CUSHION				*		2	
14		40085785		SPOOL REST ROD UPPER				*		1	
15		40085793		SPOOL REST ROD RUBBER CAP				*		1	
16		40085792		SPOOL REST ROD JOINT				*		1	
17		40106576		THREAD GUIDE ARM				*		1	
18		40106579		THREAD GUIDE ARM BASE				*		1	
19		40106582		THREAD GUIDE 4				*		1	
20		40106580		THREAD GUIDE UNDER BASE				*		1	
21		40085788		SPOOL REST				*		4	
22		40085790		SPOOL PIN				*		4	
23		40085791		SPOOL RETAINER				*		4	
24		SM4041201SC		SCREW M4 L=12				*		3	
25		SM4051405SE		SCREW M5 L=14				*		2	
26		SM4042501SC		SCREW M4X0.7 L=25				*		1	
27		SM4051001SE		SCREW M5 L=10				*		2	
28		SK3412001SE		WOOD SCREW D=4.1 L=20				*		2	
29		NM6050001SE		NUT M5				*		12	
30	R	NM6040002SC	NM6040002SE	NUT M4				*		4	1.00
31		WP0531001SC		WASHER M5				*		4	
32		WP1612616SE		WASHER 16X30X2.6				*		2	
33		WS0510002KN		SPRING WASHER M5				*		4	

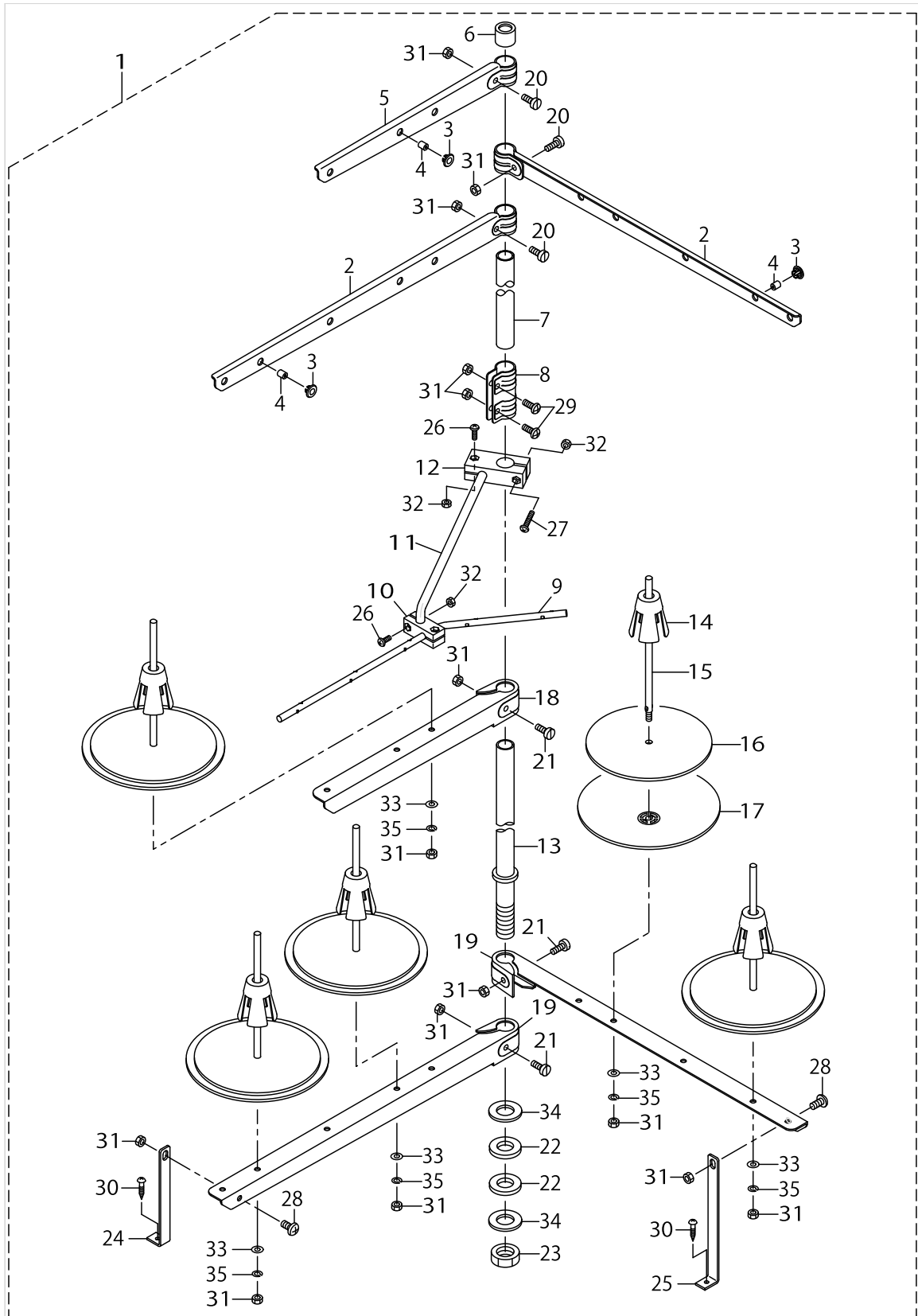
THREAD STAND COMPONENTS (FOR MO-6716S)



THREAD STAND COMPONENTS (FOR MO-6716S)

No.	Supply Code	Parts No.	Replacement	Parts name	Remarks	Choice	Step	Level	Cons	Qty	Rep. QTY
1		40106591		THREAD STAND ASM.						1	
2		40106575		SPOOL REST LONG ARM UPPER				*		1	
3		40085794		THREAD GUIDE				*		5	
4		40085795		THREAD GUIDE BUSHING				*		5	
5		40085787		SPOOL REST ARM UPPER				*		1	
6		40085793		SPOOL REST ROD RUBBER CAP				*		1	
7		40085785		SPOOL REST ROD UPPER				*		1	
8		40085792		SPOOL REST ROD JOINT				*		1	
9		40106581		THREAD GUIDE 5				*		1	
10		40106580		THREAD GUIDE UNDER BASE				*		1	
11		40106576		THREAD GUIDE ARM				*		1	
12		40106579		THREAD GUIDE ARM BASE				*		1	
13		40085784		SPOOL REST ROD LOWER				*		1	
14		40085791		SPOOL RETAINER				*		5	
15		40085790		SPOOL PIN				*		5	
16		40085789		SPOOL REST CUSHION				*		5	
17		40085788		SPOOL REST				*		5	
18		40085786		SPOOL REST ARM LOWER				*		1	
19		40106574		SPOOL REST LONG ARM LOWER				*		1	
20	R	40096327	SM4053001SE	SPOOL REST ARM UPPER SCREW				*		2	1.00
21		40085796		SPOOL REST ROD RUBBER CUSHION				*		2	
22		40096325		SPOOL REST ROD NUT				*		1	
23		40096326		SPOOL REST ARM LOWER SCREW				*		2	
24		SM4041201SC		SCREW M4 L=12				*		3	
25		SM4051405SE		SCREW M5 L=14				*		2	
26		SM4042501SC		SCREW M4X0.7 L=25				*		1	
27	R	NM6040002SC	NM6040002SE	NUT M4				*		4	1.00
28		NM6050001SE		NUT M5				*		11	
29		WP1612616SE		WASHER 16X30X2.6				*		2	
30		WP0531001SC		WASHER M5				*		5	
31		WS0510002KN		SPRING WASHER M5				*		5	

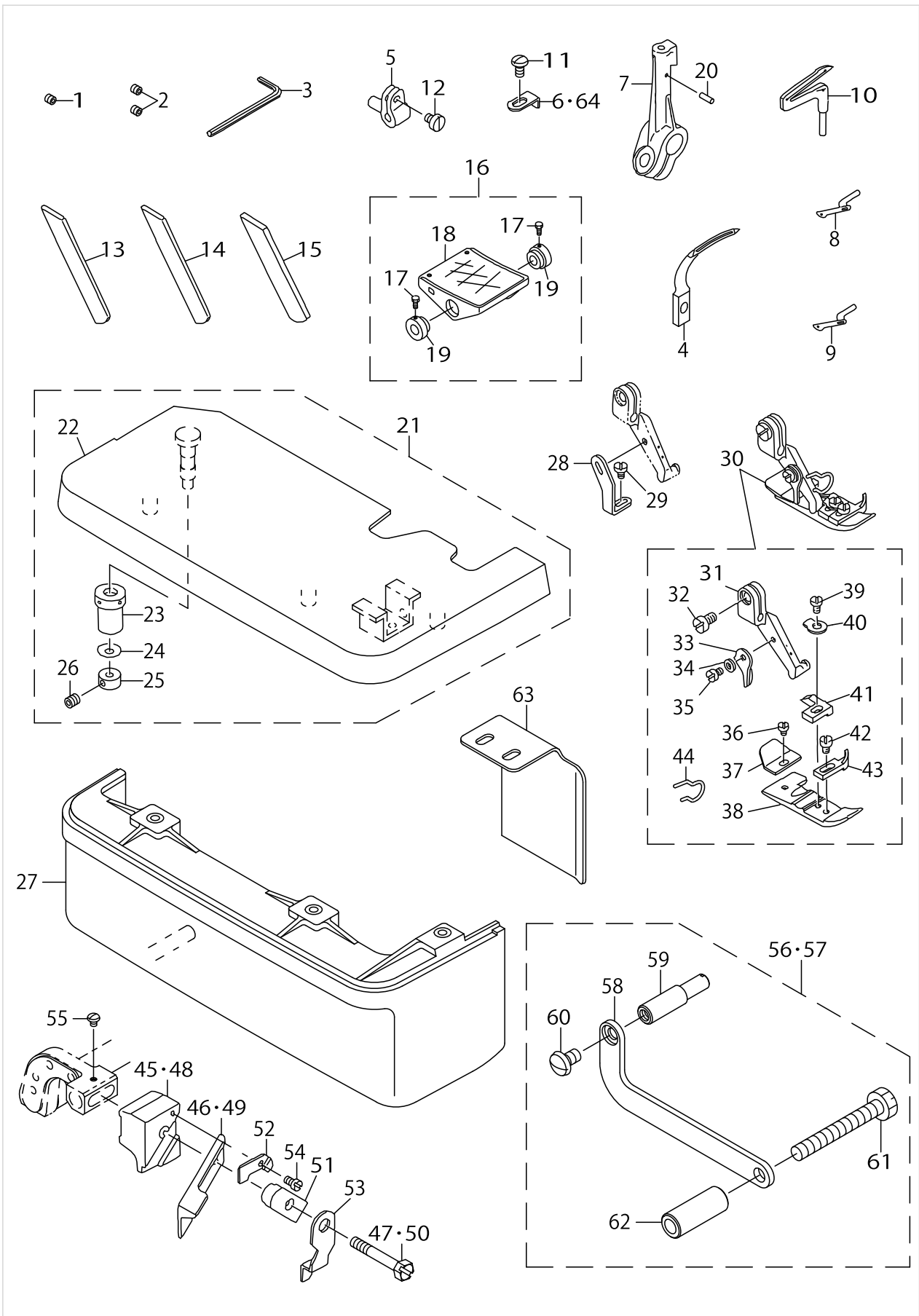
THREAD STAND COMPONENTS (MO-6716S SPECIAL ORDER PARTS)



THREAD STAND COMPONENTS (MO-6716S SPECIAL ORDER PARTS)

No.	Supply Code	Parts No.	Replacement	Parts name	Remarks	Choice	Step	Level	Cons	Qty	Rep. QTY
1		40106604		THREAD STAND ASM.						1	
2		40106575		SPOOL REST LONG ARM UPPER				*		2	
3		40085794		THREAD GUIDE				*		5	
4		40085795		THREAD GUIDE BUSHING				*		5	
5		40085787		SPOOL REST ARM UPPER				*		1	
6		40085793		SPOOL REST ROD RUBBER CAP				*		1	
7		40085785		SPOOL REST ROD UPPER				*		1	
8		40085792		SPOOL REST ROD JOINT				*		1	
9		40106581		THREAD GUIDE 5				*		1	
10		40106580		THREAD GUIDE UNDER BASE				*		1	
11		40106576		THREAD GUIDE ARM				*		1	
12		40106579		THREAD GUIDE ARM BASE				*		1	
13		40085784		SPOOL REST ROD LOWER				*		1	
14		40085791		SPOOL RETAINER				*		5	
15		40085790		SPOOL PIN				*		5	
16		40085789		SPOOL REST CUSHION				*		5	
17		40085788		SPOOL REST				*		5	
18		40085786		SPOOL REST ARM LOWER				*		1	
19		40106574		SPOOL REST LONG ARM LOWER				*		2	
20	R	40096327	SM4053001SE	SPOOL REST ARM UPPER SCREW				*		3	1.00
21		40096326		SPOOL REST ARM LOWER SCREW				*		3	
22		40085796		SPOOL REST ROD RUBBER CUSHION				*		2	
23		40096325		SPOOL REST ROD NUT				*		1	
24		40106577		SPOOL REST ARM LOWER A				*		1	
25		40106578		SPOOL REST ARM LOWER B				*		1	
26		SM4041201SC		SCREW M4 L=12				*		3	
27		SM4042501SC		SCREW M4X0.7 L=25				*		1	
28		SM4051001SE		SCREW M5 L=10				*		2	
29		SM4051405SE		SCREW M5 L=14				*		2	
30		SK3412001SE		WOOD SCREW D=4.1 L=20				*		2	
31		NM6050001SE		NUT M5				*		15	
32	R	NM6040002SC	NM6040002SE	NUT M4				*		4	1.00
33		WP0531001SC		WASHER M5				*		5	
34		WP1612616SE		WASHER 16X30X2.6				*		2	
35		WS0510002KN		SPRING WASHER M5				*		5	

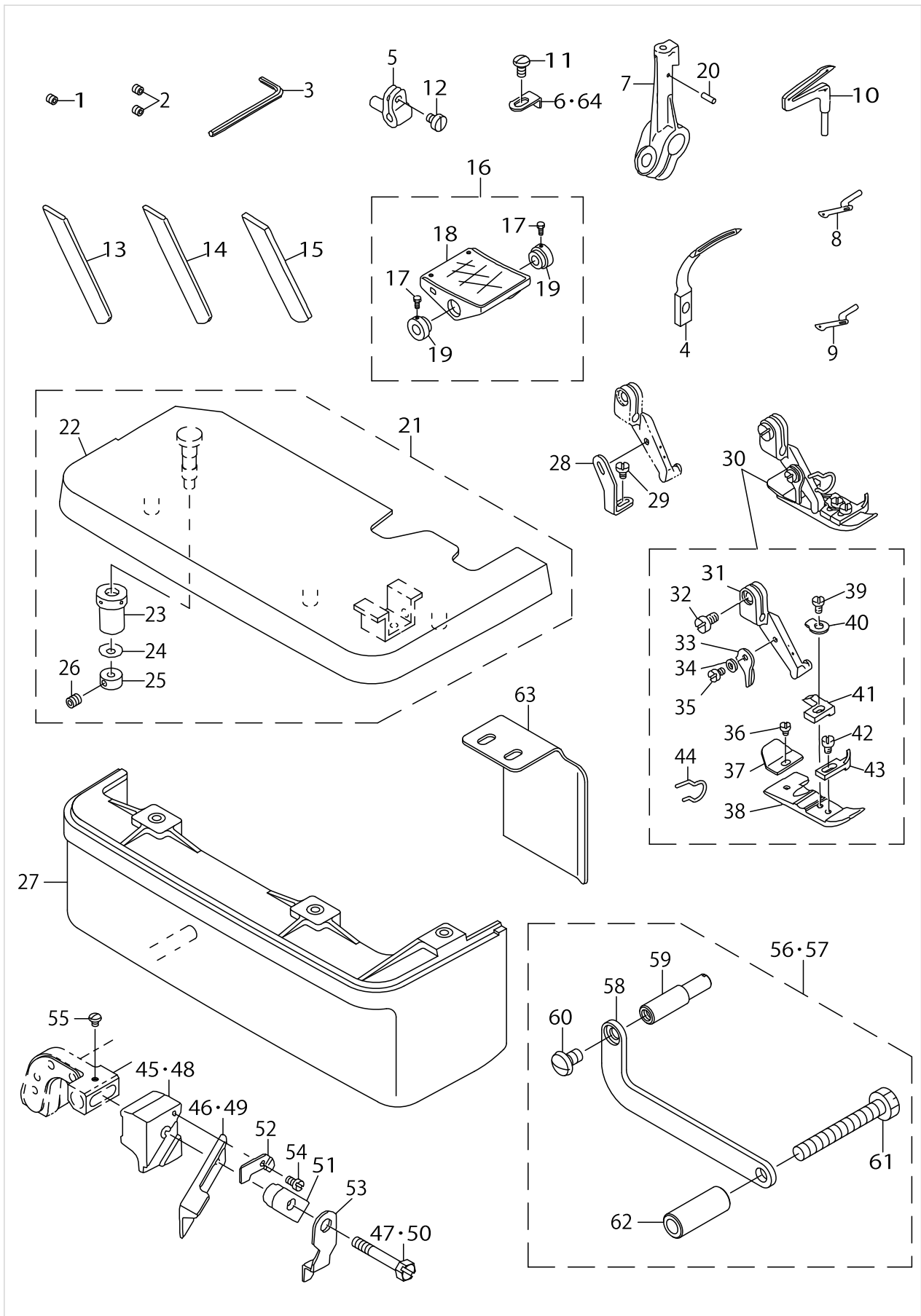
SPECIAL ORDER PARTS COMPONENTS



SPECIAL ORDER PARTS COMPONENTS

No.	Supply Code	Parts No.	Replacement	Parts name	Remarks	Choice	Step	Level	Cons	Qty	Rep. QTY
1		SS8080322TP		SCREW 1/8-44 L=3.2	FOR MO-6704S					1	
2		SS8080322TP		SCREW 1/8-44 L=3.2	FOR MO-6-714S,MO-6716S					2	
3		B9112804000		SPANNER						1	
4		12120713		CHAIN LOOPER	FOR MO-6716S					1	
5		11544707		UPPER LOOPER SUPPORT ARM						1	
6		11898103		PRESSER FOOT AUXILIARY PLATE	FOR MO-6704S					1	
7		12123709		LOWER LOOPER SUPPORT ARM						1	
8		B2519804000		UPPER LOOPER	FOR MO-6-704S,MO-6716S					1	
9		B2519814000		UPPER LOOPER	FOR MO-6714S					1	
10		B2521804000		LOWER LOOPER						1	
11		SS4080620TP		SCREW 1/8-44 L=6	FOR MO-6704S					1	
12		SS6080410SP		SCREW 1/8-44 L=4						1	
13		11847605		LOWER KNIFE						1	
14		11964509		CERAMIC LOWER KNIFE						1	
15		11992005		LOWER KNIFE						1	
16		11965753		PEDAL ASM.						1	
17		SM9061203SE		SCREW M6 L=12				*		2	
18		11965704		PEDAL				*		1	
19		11965803		PEDAL THRUST COLLAR				*		2	
20		PS0200062KH		SPRING PIN 2X6						1	
21		12105458		CLOTH PLATE ASM.	FOR MO-6716S					1	
22	R	12104550	12105458	CLOTH PLATE ASM.				*		1	1.00
23		11501301		ECCENTRIC BUSHING				*		1	
24		WZ0420350KP		DISC SPRING				*		1	
25	R	CS0400671SD	13172903	THRUST HOLDER				*		1	1.00
26		SM8040302TP		SETSCREW				*		1	
27	D	11949104		CLOTH BASE COVER	FOR MO-6716S					1	
28	D	B1539804000		PRESSER FOOT FIXING PLATE	FOR MO-6704S					1	
29		SS6060410TP		SCREW 3/32-56 L=3.5	FOR MO-6704S					1	
30		12152468		PRESSER FOOT(FINGER GUARD)	FOR MO-6714S					1	
31		11872009		PRESSER FOOT HINGE				*		1	
32		SS6090670TP		SCREW 9/64-40 L=6				*		1	
33		B1530804000		STOPPER				*		1	
34		WP0250516SD		WASHER 2.5X6X0.5				*		1	
35		SS7060610SP		SCREW 3/32-56 L=5.5				*		1	
36		SS6060210SP		SCREW 3/32-56 L=1.9				*		1	
37		B1511814000		REARPRESSERFOOT				*		1	
38		B150781400P		PRESSER FOOT				*		1	
39		SS7080520SP		SCREW 1/8-44 L=4.9				*		1	
40		B150880400B		SPRING				*		1	
41		12160008		STITCH TONGUE				*		1	
42		SS6060440TP		SCREW 3/32-56 L=3.5				*		1	
43		B1510814000		CURL GUARD				*		1	
44		13178306		FINGER GUARD						1	
45		11598000		UPPER KNIFE SUPPORT	FOR MO-6704S					1	

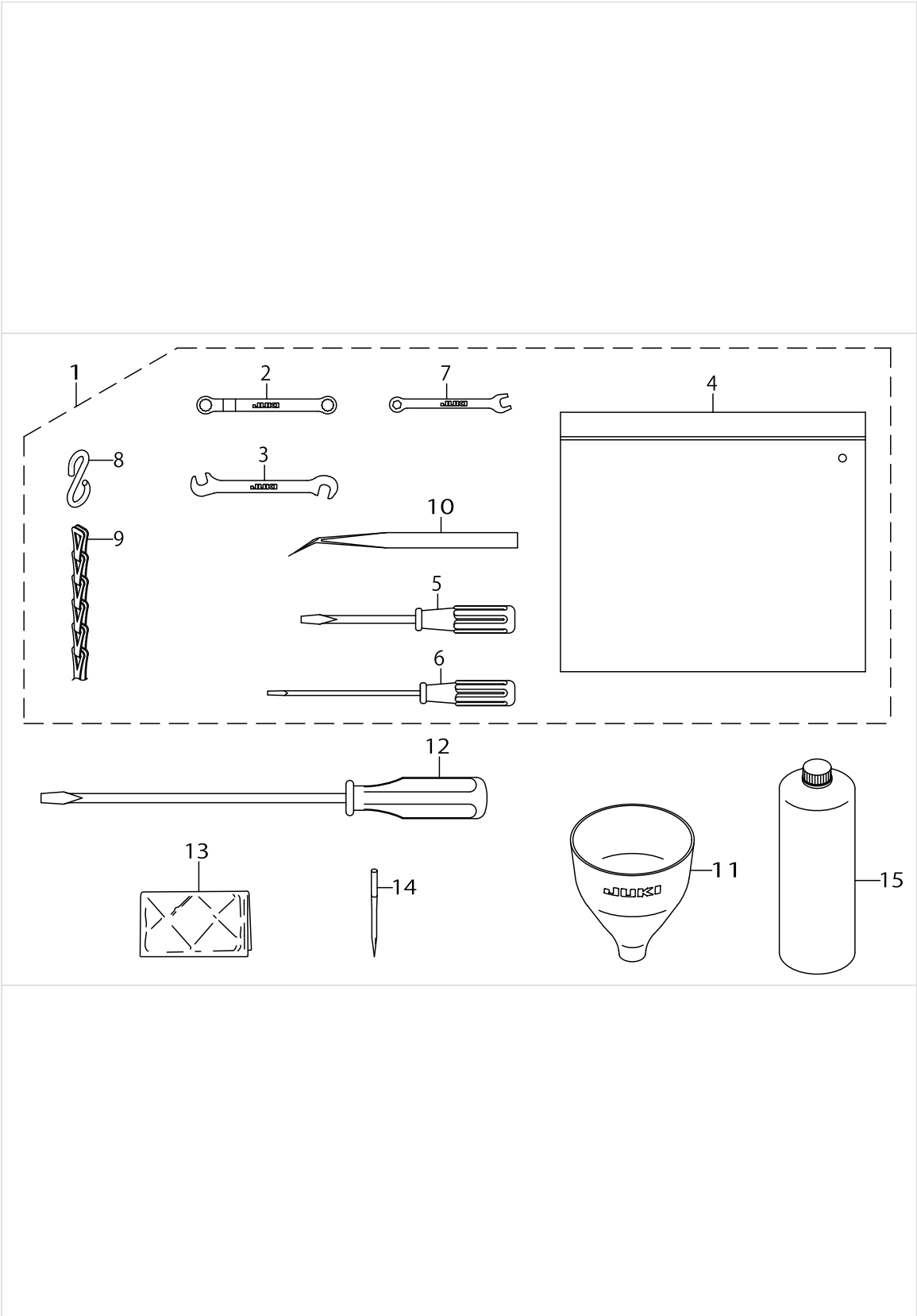
SPECIAL ORDER PARTS COMPONENTS



SPECIAL ORDER PARTS COMPONENTS

No.	Supply Code	Parts No.	Replacement	Parts name	Remarks	Choice	Step	Level	Cons	Qty	Rep. QTY
46		11845807		UPPER KNIFE	FOR MO-6704S					1	
47		SS9111610SP		SCREW11/64-40L=16	FOR MO-6704S					1	
48		11845500		UPPER KNIFE SUPPORT	FOR MO-6716S					1	
49		11845906		UPPER KNIFE	FOR MO-6716S					1	
50		SS9112310SP		SCREW11/64-40L=23	FOR MO-6716S					1	
51		11565504		UPPER KNIFE PRESSER PLATE	FOR MO-6716S					1	
52		11565702		WASHER						1	
53		11848405		UPPER KNIFE COVER						1	
54		SS4060310SP		SCREW 3/32-56 L=2.5						1	
55		SS4060310SP		SCREW 3/32-56 L=2.5						1	
56		40025294		SYNCHRONIZER STOPPER ASM.						1	
57		40011755		SYNCHRONIZER TU- RN STOPPER ASM						1	
58		40011757		SYNCHRONIZER STOPPER BASE				*		1	
59		40022255		SYNCHRONIZER STOPPER				*		1	
60		SS5120810SP		SCREW				*		1	
61		SS9154540SP		SCREW15/64-28L=45				*		1	
62		40011758		SYNCHRONIZER BASE COLLAR				*		1	
63		40036778		V_BELT SLIDER						1	
64		40030533		PRESSER FOOT AUXILIARY PLATE	FOR MO-6714S					1	

ACCESSORIES PARTS COMPONENTS



ACCESSORIES PARTS COMPONENTS

No.	Supply Code	Parts No.	Replacement	Parts name	Remarks	Choice	Step	Level	Cons	Qty	Rep. QTY
1		13160858		ACCESSORIE BAG ASM.						1	
2		13160007		RING SPANNER				*		1	
3		13160205		PIN SPANNER				*		1	
4		22932800		ACCESSORIE BAG				*		1	
5		22933105		SCREW DRIVER MIDDLE				*		1	
6		12347308		SCREW DRIVER (SMALL)				*		1	
7		13160106		SPANNER (5X6)				*		1	
8		13160304		S SHAPED HOOK				*		2	
9		13160403		CHAIN				*		1	
10		12288403		TWEEZERS				*		1	
11		13160601		FUNNEL						1	
12		22933006		SCREW DRIVER LARGE						1	
13		40048535		HEAD_COVER						1	
14		MDC270B1104		NEEDLE DCX27 #11-4EA.						1	
15		MML018900CA		JUKI MACHINE OIL 18						1	

LIST FOR INFORMATION OF CHANGE

As to the place changed, refer to the corresponding Rev.No.
 When previous parts(Obsoleted part)and new parts(Added parts)are
 not interchangeable with each other:
 In this case,even obsoleted parts(D.)can be ordered with the
 obsoleted part number,so select the parts with changed dates and
 place your orders.

変更箇所は、該当Rev.No.版をご参照ください。
 部品の互換性がない変更の場合は、削除された品番でも、ご注文できます。

29355401
 No.1329-06 Rev.No.

*A:Added parts追加部品/D:Obsoleted parts削除部品/E:Erratum訂正

* Rev. No.	Page 頁	Ref. No.	Parts No. 品番	* Rev. No.	Page 頁	Ref. No.	Parts No. 品番
D 05	2	41	132-01504	A 06	2	41	401-02307
				A 06	2	52	401-50131
D 05	4	17	CM-3002000-A1	A 06	4	17	CM-3002000-01
D 05	4	36	CM-3002001-B1	A 06	4	36	CM-3013000-01
D 05	12	10	121-18204	A 06	12	10	700-04244
D 05	14	29	132-22401				
D 05	14	30	SM-4040655-SP				
D 05	14	31	123-40303				
D 05	14	32	SS-3090610-SP				
D 05	14	50	123-40808				
D 05	14	51	SS3090610-SP				
D 05	14	59	131-72853	A 06	14	59	CS-1031210-SH
D 05	14	60	131-72804	A 06	14	60	CS-1031219-SH
D 05	14	62	131-72853	A 06	14	62	CS-1031210-SH
D 05	14	63	131-72804	A 06	14	63	CS-1031219-SH
				A 06	14	67	400-99082
D 05	16	2	131-15100	A 06	16	2	401-02328
D 05	16	3	131-15258	A 06	16	3	400-96182
D 05	16	4	131-15209	A 06	16	4	400-96181
D 05	16	5	SS-6110710-TP				
D 05	16	6	SS-9151210-TP	A 06	16	5	SM6061402-TP
				A 06	16	48	700-04672
				A 06	16	49	SS-8080310-TP
D 05	18	1	122-53829	A 06	18	1	131-17205
D 05	32	1	131-67556	A 06	32	1	401-06590
D 05	34	1	131-67754	A 06	34	1	401-06593
D 05	36	1	131-67655	A 06	36	1	401-06591
D 05	38	1	131-67853	A 06	38	1	401-06604
D 05	41	16	131-42500				

HOW TO MAKE USE OF THIS PARTS LIST

1.Explanation of codes

1)"*"mark.....means this part is changed from the previous parts book.

As to the details of the change, refer to the "List for information of change".

2)"#01".....refer to "Note" explanation at bottom of page.

2.Codes on the "Qty" column

- Each numeral indicates the number of parts required.
- "0.1" and "2.5" indicate the length (in meters) of the respective parts.

3.Parentheses mean that the corresponding part is a subpart that constructs an assembly part.

4.Dotted lines on the Figures indicate assembly parts.

1."注記"欄の記号説明

1) "*"印.....前回のパーツブックに比較して今回変更された部品を意味します。

変更内容は、"変更情報リスト"を参照してください。

2) "#01".....ページ下の"注記"の説明を参照してください。

2.数量欄の数字は、個数を表し、0.1、2.5等の数値は、長さ（単位メートル）を表します。

3.数量欄の（ ）は、組部品を構成している子部品であることを意味します。

4.イラストページの-----枠は、組構成であることを意味します。

NUMERICAL INDEX OF PARTS

PART NO	PAGE	REF NO.	PART NO	PAGE	REF NO.	PART NO	PAGE	REF NO.
10753309	6	39	12015301	42	39	12340709	24	27
11151065	58	26	12015400	42	40	12340907	26	66
11151909	58	31	12104550	68	22	12341806	54	16
11155108	54	19	12105458	68	21	12341806	56	25
11155108	56	32	12109153	10	28	12341905	54	5
11155207	54	20	12116604	18	18~22	12341954	54	4
11155207	56	33	12116703	18	18~22	12342101	2	11
11157567	58	2	12116802	18	18~22	12347308	72	6
11159001	58	18	12116901	18	18~22	13100805	2	16
11159365	58	14	12117008	18	18~22	13100904	2	15
11246501	58	38	12118303	20	9	13101001	2	21
11246600	58	37	12120150	10	38	13101209	2	18
11501301	68	23	12120705	28	11	13101308	2	30
11544707	68	5	12120713	68	4	13101407	2	19
11565504	70	51	12121612	28	34	13101506	2	25
11565702	70	52	12122362	10	30	13101605	2	26
11566809	46	12	12123360	10	34	13101704	2	28
11598000	68	45-48	12123709	68	7	13101803	2	32
11840303	50	8	12129805	50	20	13101902	2	36
11845500	70	45-48	12129904	50	18	13102058	2	35
11845807	70	46-49	12132155	10	43	13102207	4	45
11845906	70	46-49	12152468	68	30	13102405	2	3
11847605	68	13	12153763	34	35	13102504	6	20
11848405	70	53	12156907	36	48	13102553	6	19
11872009	34	20	12160008	68	41	13102603	6	23
11872009	68	31	12162202	34	41	13102702	42	46
11876166	34	4	12164802	34	37	13102702	44	46
11876869	34	19	12167409	34	40	13102900	6	38
11888104	24	14	12167508	34	43	13103650	2	34
11890001	24	1	12167607	34	42	13103809	2	13
11890100	42	37	12167706	34	46	13103908	6	24
11890308	42	38	12167805	34	38	13104005	2	1
11898103	68	6-64	12176004	24	15	13104104	4	51
11918109	50	6	12177903	42	41	13104203	2	2
11949104	68	27	12257002	16	64	13104302	4	44
11959400	54	21	12288403	72	10	13104500	6	10
11959558	56	15	12288700	30	33	13104807	6	29
11960655	58	1	12288908	42	7	13104906	10	20
11960754	58	13	12315909	50	3	13107602	10	4
11964509	68	14	12316006	50	10	13107701	10	10
11965704	68	18	12316105	50	11	13107800	10	6
11965753	68	16	12317004	50	9	13108006	10	23
11965803	68	19	12340402	26	50	13108105	10	24
11992005	68	15	12340501	26	48	13108204	10	25
11999307	24	13	12340600	24	25	13108303	10	27

NUMERICAL INDEX OF PARTS

PART NO	PAGE	REF NO.	PART NO	PAGE	REF NO.	PART NO	PAGE	REF NO.
13108402	10	8	13119706	18	39	13127006	28	17
13108501	10	9	13119805	18	42	13127105	28	18
13110002	14	15	13119904	18	33	13127204	28	23~26
13110101	14	5	13119953	18	32	13127303	28	23~26
13110200	14	22	13120001	18	41	13127402	28	23~26
13110259	14	21	13120605	18	2	13127501	28	23~26
13110507	14	2	13120803	20	33	13128103	28	16
13110556	14	1	13120902	20	29	13128202	38	31
13110606	14	4	13121009	20	31	13128301	38	32
13110705	14	24	13121058	20	30	13128400	38	33
13110804	14	25	13121108	22	52	13128509	38	34
13110903	14	26	13121207	20	43	13128608	38	35
13111000	14	27	13121256	20	42	13128707	38	36
13111109	14	31	13121306	20	40	13129101	40	40
13111208	14	34	13121405	20	26	13129259	38	37
13111307	14	35	13121603	22	49	13129309	24	21
13111406	14	36	13121900	20	45	13129309	28	7
13111505	14	38	13122007	16	49~52	13129457	38	38
13111604	14	39	13122007	18	35~38	13129853	28	1
13111703	14	40	13122007	46	13~16	13129903	28	6
13115001	30	1	13122106	16	49~52	13129952	28	5
13115407	30	8	13122106	18	35~38	13131008	24	5
13115654	30	32	13122106	46	13~16	13131057	24	4
13115753	30	9	13122205	16	49~52	13131107	24	8
13115803	30	10	13122205	18	35~38	13131156	24	7
13115902	30	11	13122205	46	13~16	13131206	24	37~41
13116009	30	12	13122304	16	49~52	13131305	24	37~41
13116108	30	13	13122304	18	35~38	13131404	24	37~41
13116207	30	18	13122304	46	13~16	13131503	24	37~41
13116306	30	20	13122403	18	5	13131602	24	37~41
13116405	30	22	13122452	18	4	13131701	24	44
13116504	30	23	13122502	18	13	13131800	26	46
13116603	30	24	13122700	20	18	13131909	26	45
13116702	34	2	13122809	20	24	13132006	26	47
13116801	30	7	13123302	20	39	13132501	24	20
13116900	30	21	13123302	30	44	13132550	24	19
13117007	30	19	13125901	28	13	13132709	26	56
13117106	30	34	13125950	28	12	13133053	24	24
13117205	34	1	13126008	28	4	13137559	38	2
13118054	18	1	13126354	28	9	13137609	38	12
13118708	18	16	13126503	28	19~22	13137708	38	8~10
13119300	18	14	13126602	28	19~22	13137807	38	5~7
13119409	18	23	13126701	28	19~22	13137906	38	13
13119508	18	24	13126800	28	19~22	13138003	38	16
13119607	18	25	13126909	28	3	13138102	38	14

NUMERICAL INDEX OF PARTS

PART NO	PAGE	REF NO.	PART NO	PAGE	REF NO.	PART NO	PAGE	REF NO.
13138201	38	27	13149901	42	33	13162557	48	6
13138359	38	3	13150503	46	17	13162565	48	7
13138409	38	8~10	13150602	46	18	13162573	48	8
13138508	38	5~7	13150701	44	45	13162805	48	18
13138656	38	4	13150800	46	11	13162904	48	20
13138706	38	8~10	13150909	46	5	13163001	48	21
13138805	38	5~7	13151006	46	6	13163159	48	15
13138904	38	11	13151105	42	35	13163167	48	16
13139555	38	20	13151204	42	5	13163175	48	17
13139605	38	22	13151303	46	4	13163456	48	1
13139704	38	25	13155007	54	15	13163803	48	2
13139803	38	24	13155106	56	17	13163902	48	3
13139902	38	23	13155205	56	18	13170006	6	9
13140009	38	21	13155304	56	27	13170105	6	21
13142500	50	25	13155403	54	13	13170204	6	11
13142609	16	48	13155403	56	16	13170204	20	34
13142609	50	38	13155502	54	10	13170303	10	14
13142955	50	33	13155502	56	22	13170402	30	37
13143300	50	29	13155601	54	8	13170501	22	48
13143417	50	43	13155601	56	20	13170600	24	17
13143508	52	44	13155700	54	9	13170808	50	34
13143607	52	47	13155700	56	21	13171004	6	22
13143706	52	48	13155759	54	7	13172507	18	10
13143805	50	27	13155759	56	19	13172556	18	9
13144001	50	30	13155858	56	5	13172705	16	55
13144100	50	39	13155908	56	8	13172754	16	54
13144209	50	40	13156005	56	9	13172903	2	38
13147301	46	9	13156104	56	10	13175005	16	62
13147400	46	7	13156203	56	6	13175203	16	63
13147509	46	2	13156302	56	7	13178306	34	33
13147558	46	1	13156500	54	14	13178306	68	44
13148101	42	14	13160007	72	2	13178405	36	47
13148309	42	16	13160106	72	7	13191309	22	70
13148408	42	23	13160205	72	3	13191408	22	71
13148556	42	31	13160304	72	8	13191606	22	64
13148804	42	32	13160403	72	9	13192000	22	65
13148903	42	29	13160601	72	11	13192406	22	66
13149109	42	18	13160700	6	43	13192802	22	67
13149208	42	22	13160858	72	1	13193206	22	68
13149307	42	11	13160908	54	2	13193602	22	69
13149406	42	15	13160908	56	2	13200209	6	1
13149505	42	20·26	13161005	54	1	13200308	6	2
13149604	42	20·26	13161005	56	1	13200506	6	5
13149703	42	24	13161153	54	3	13200605	6	6
13149802	42	27	13161153	56	26	13200704	2	7

NUMERICAL INDEX OF PARTS

PART NO	PAGE	REF NO.	PART NO	PAGE	REF NO.	PART NO	PAGE	REF NO.
13200803	2	8	13216106	20	19	13244108	18	30
13200902	22	54	13216205	20	21	13343009	50	4
13201009	6	12	13216304	20	23	22901805	6	37
13201108	6	28	13216601	18	28	22921407	38	26
13201207	6	33	13216700	18	29	22924708	6	8
13201306	6	32	13216809	18	26	22932800	72	4
13201405	6	16	13217351	22	47	22933006	72	12
13201454	6	15	13217401	22	57	22933105	72	5
13201603	2	42	13217500	22	58	23630007	16	45
13204003	6	35	13217708	20	36	23630007	52	54
13205406	10	19	13217807	18	12·31	31018005	52	60
13207808	14	20	13217906	18	12·31	40010804	26	55
13208004	16	68	13218052	22	50	40010805	28	10
13208103	14	17	13218102	22	56	40011234	24	35
13208350	14	16	13220009	28	15	40011755	70	56·57
13208459	14	42	13221403	24	29~31	40011757	70	58
13208509	14	43	13221502	24	29~31	40011758	70	62
13208608	16	47	13221601	24	29~31	40015637	24	10·11
13208707	14	30	13221700	24	32~34	40016762	50	12
13208806	14	28	13221809	24	32~34	40016763	50	16
13208905	14	29	13221908	24	32~34	40016841	24	10·11
13209101	14	9~11	13222203	26	52	40017714	12	47
13209200	14	9~11	13222302	26	53	40017824	10	41
13209309	14	9~11	13222609	24	2	40018044	50	2
13209408	14	12~14	13222708	24	3	40022255	70	59
13209507	14	12~14	13225008	38	1	40023234	10	2
13209606	14	12~14	13225107	38	18·19	40023235	10	1
13209705	14	19	13228655	50	23	40025294	70	56·57
13209804	14	7	13228804	52	55	40030533	34	34
13209853	14	6	13228903	52	59	40030533	70	6·64
13212501	30	39	13229000	52	61	40034897	30	31
13212709	30	35	13229109	52	57	40035711	12	48
13212808	30	41	13229208	52	51	40036778	70	63
13212915	30	43	13229307	50	19	40037392	8	45
13213012	20	38	13229356	50	17	40040065	8	46
13213012	30	42	13229406	52	58	40048535	72	13
13215157	20	1	13230107	52	45	40085784	60	12
13215306	20	4	13230305	50	1	40085784	62	10
13215405	20	5	13232657	42	9·10	40085784	64	13
13215504	20	6	13232756	42	9·10	40085784	66	13
13215603	20	7	13235304	42	19	40085785	60	6
13215702	20	11	13240007	4	48~50	40085785	62	14
13215801	20	17	13240106	4	48~50	40085785	64	7
13215900	20	13	13240205	4	48~50	40085785	66	7
13216007	20	14	13244009	16	46	40085786	60	17

NUMERICAL INDEX OF PARTS

PART NO	PAGE	REF NO.	PART NO	PAGE	REF NO.	PART NO	PAGE	REF NO.
40085786	64	18	40096325	64	22	70004672	32	48
40085786	66	18	40096325	66	23	B1211804000	10	18
40085787	60	2	40096326	60	19	B1212704000	10	17
40085787	64	5	40096326	62	8	B1215804000	10	21·22
40085787	66	5	40096326	64	23	B1507804C00	34	12
40085788	60	16	40096326	66	21	B150781400P	34	27
40085788	62	21	40096327	60	18	B150781400P	68	38
40085788	64	17	40096327	62	5	B150880400B	34	29
40085788	66	17	40096327	64	20	B150880400B	68	40
40085789	60	15	40096327	66	20	B1509804C00	34	15
40085789	62	12	40099082	26	67	B150981400P	34	30
40085789	64	16	40102307	2	41	B1510814000	34	32
40085789	66	16	40102328	30	2	B1510814000	68	43
40085790	60	14	40106574	62	7	B1511814000	34	26
40085790	62	22	40106574	64	19	B1511814000	68	37
40085790	64	15	40106574	66	19	B1513816000	34	39
40085790	66	15	40106575	62	2	B1514816000	34	45
40085791	60	13	40106575	64	2	B1530804000	34	22
40085791	62	23	40106575	66	2	B1530804000	68	33
40085791	64	14	40106576	60	10	B1539804000	68	28
40085791	66	14	40106576	62	17	B1620804000	18	43
40085792	60	7	40106576	64	11	B2119816A00	28	27~31
40085792	62	16	40106576	66	11	B2119816B00	28	27~31
40085792	64	8	40106577	62	6	B2119816C00	28	27~31
40085792	66	8	40106577	66	24	B2119816D00	28	27~31
40085793	60	5	40106578	62	9	B2119816E00	28	27~31
40085793	62	15	40106578	66	25	B2202816000	38	39
40085793	64	6	40106579	60	11	B2519804000	68	8
40085793	66	6	40106579	62	18	B2519814000	68	9
40085794	60	4	40106579	64	12	B2521804000	68	10
40085794	62	4	40106579	66	12	B3534352000	50	7
40085794	64	3	40106580	60	9	B71140120A0	58	25
40085794	66	3	40106580	62	20	B81517710A0	58	27
40085795	60	3	40106580	64	10	B8152771000	58	39
40085795	62	3	40106580	66	10	B8153771000	58	40
40085795	64	4	40106581	64	9	B9112804000	68	3
40085795	66	4	40106581	66	9	BP30000010R	50	62
40085796	60	20	40106582	60	8	BP30000010R	52	62
40085796	62	13	40106582	62	19	CM300200001	2	40
40085796	64	21	40106590	60	1	CM300200001	6	17
40085796	66	22	40106591	64	1	CM301300001	6	36
40096181	30	4	40106593	62	1	CM600100101	6	44
40096182	30	3	40106604	66	1	CQ200000000	16	44
40096325	60	21	40150131	4	52	CQ200000000	26	57·58
40096325	62	11	70004244	20	10	CQ202000000	16	58

NUMERICAL INDEX OF PARTS

PART NO	PAGE	REF NO.	PART NO	PAGE	REF NO.	PART NO	PAGE	REF NO.
CQ202000000	26	57-58	R4200J6ED00	42	1	SM4050855SP	40	44
CQ252000000	16	60	R4305J6EE00	42	2	SM4050855SP	50	28
CS0400671SD	68	25	R4508J6ED00	42	3	SM4051001SE	62	27
CS1031210SH	26	62	RE0300000K0	20	37	SM4051001SE	66	28
CS1031219SH	26	63	RE0300000K0	32	47	SM4051055SP	42	8
CS1111019SH	46	22	RE0500000K0	20	41	SM4051255SP	6	7
CS111101HSH	46	21	SB110000300	10	21-22	SM4051255SP	20	25
D8113555B00	58	33	SD0280401SL	16	61	SM4051405SE	60	24
D8204555D00	54	22	SD0600341TP	40	42	SM4051405SE	62	25
D8204555D00	56	34	SD0640241SP	30	15	SM4051405SE	64	25
EA9500B0100	14	18	SD0720271SP	22	59	SM4051405SE	66	29
GPF06060000	58	15	SD0720803TH	28	33	SM4051601SC	50	35
GPF06070000	58	16	SK2351600SC	54	24	SM4060801SE	52	64
GPF06080000	58	17	SK2351600SC	56	4	SM6040600SP	20	22
MDC270B1100	16	66	SK3311500SC	54	25	SM6051202TP	18	34
MDC270B1104	72	14	SK3311500SC	56	35	SM6051202TP	28	14
MML018900CA	72	15	SK3412001SE	6	40	SM6061200SP	24	23
NM6040002SC	60	25	SK3412001SE	62	28	SM6061200SP	30	27
NM6040002SC	62	30	SK3412001SE	66	30	SM6061202TP	10	37
NM6040002SC	64	27	SK3513200SC	54	26	SM6061402TP	14	8
NM6040002SC	66	32	SK3513200SC	56	31	SM6061402TP	18	6
NM6050001SE	60	26	SL9061291SE	58	24	SM6061402TP	30	5
NM6050001SE	62	29	SL9082091SE	58	22	SM6061402TP	46	3
NM6050001SE	64	28	SM1040801SC	2	10	SM6061802TP	50	21
NM6050001SE	66	31	SM1040801SC	6	13	SM8040302TP	2	39
NM6060003SC	30	25	SM4030455SP	20	16	SM8040302TP	68	26
NM6080001SE	58	21	SM4040655SP	2	31	SM8040402TP	30	38
NM6080600SM	56	29	SM4040855SP	2	43	SM8050412TP	30	30
NM6080721SE	58	32	SM4040855SP	6	14	SM8050412TP	50	5
NS6090310SN	2	5	SM4040855SP	10	26	SM8050502TP	50	42
NS6090310SP	54	12	SM4040855SP	14	41	SM9061203SE	58	34
NS6090310SP	56	24	SM4040855SP	20	35	SM9061203SE	68	17
NS6110310SP	50	52	SM4040855SP	48	5	SM9082023SE	58	28
NS6110310SP	52	52	SM4041055SP	2	17	SM9082513CF	56	28
NS6110420SP	4	46	SM4041055SP	22	60	SQ0000451MZ	52	63
NS6110420SP	30	26	SM4041201SC	60	22	SQ1110401MZ	50	15
NS6240630SE	54	23	SM4041201SC	62	24	SQ1110451MZ	50	53
NS6240630SE	56	40	SM4041201SC	64	24	SQ1110451MZ	52	53
NS6620320SP	18	40	SM4041201SC	66	26	SQ1150441SD	52	50
NS6680410SP	6	27	SM4041455SN	18	27	SQ1150451MZ	50	37
PS0200052KH	38	28	SM4042501SC	60	23	SQ1150454SD	50	26
PS0200062KH	68	20	SM4042501SC	62	26	SS1060610SP	20	20
PS0250062KH	28	32	SM4042501SC	64	26	SS2090520SL	2	4
PS0300062KH	24	16	SM4042501SC	66	27	SS2110910SL	42	4
PS0300142KH	30	16	SM4050855SP	10	7	SS3090610SP	2	6

NUMERICAL INDEX OF PARTS

PART NO	PAGE	REF NO.	PART NO	PAGE	REF NO.	PART NO	PAGE	REF NO.
SS4060310SP	70	55	SS6090670TP	14	37	SS7110910TP	18	17
SS4080620TP	20	2	SS6090670TP	34	36	SS7111410TP	10	40
SS4080620TP	28	36	SS6090670TP	68	32	SS7111410TP	30	29
SS4080620TP	34	28	SS6090810SP	50	14	SS7111810TP	10	44
SS4080620TP	68	11	SS6110610TP	42	17	SS7150740SP	30	45
SS4090415SP	40	48	SS6110710TP	28	38	SS7151120SP	42	30
SS4090515SP	20	27	SS6111040SP	46	8	SS7161040SP	30	6
SS4090615SP	26	49	SS6111440SP	4	47	SS8080310TP	16	67
SS4091015SP	2	14	SS6111610SP	46	10	SS8080310TP	32	49
SS4091015SP	48	22	SS6121020SP	30	40	SS8080322TP	68	2
SS4110515SP	14	33	SS6121020SP	52	46	SS8090530TP	16	59
SS4110515SP	40	49	SS6121220TP	18	3	SS8110410TP	2	24
SS4110615SP	38	30	SS6151440SP	42	34	SS8110410TP	18	11
SS4112215SP	50	13	SS6661110SP	20	46	SS8110410TP	20	44
SS4120615SP	2	12	SS7060310SP	20	12	SS8110410TP	38	17
SS4151215SP	6	18	SS7060310SP	52	49	SS8151150TP	10	5
SS5080212TP	10	3	SS7060510SP	34	3	SS8660330SP	20	32
SS5090610SP	54	11	SS7060510SP	44	43	SS8660330SP	46	23
SS5090610SP	56	23	SS7060610SP	26	54	SS8660610TP	16	56
SS5110710SP	6	31	SS7060610SP	34	24	SS8660610TP	26	64
SS5110710SP	54	17	SS7060610SP	68	35	SS9090410TP	24	43
SS5110710SP	56	38	SS7080520SP	34	13	SS9090610TP	24	42
SS5120810SP	70	60	SS7080520SP	68	39	SS9090823TP	46	19
SS5150510SP	40	41	SS7090510SP	42	42	SS9111010SP	20	3
SS6060210SP	34	25	SS7090530SP	2	20	SS9111010SP	42	21
SS6060210SP	68	36	SS7090610SP	2	22	SS9111050SP	22	51
SS6060340SP	34	44	SS7090610SP	44	44	SS9111610SP	70	47·50
SS6060410TP	68	29	SS7090610SP	48	19	SS9112310SP	70	47·50
SS6060440TP	24	18	SS7090611SL	6	34	SS9151210TP	24	22
SS6060440TP	34	31	SS7090710SP	42	25	SS9151210TP	28	8
SS6060440TP	68	42	SS7090850SP	24	26	SS9154540SP	70	61
SS6080320SP	18	15	SS7091410SP	2	33	SS9681610TP	10	12
SS6080340SP	22	55	SS7110510SP	2	27	ST60308210A	56	13
SS6080340SP	30	17	SS7110510SP	30	14	TA0400301M0	50	41
SS6080410SP	24	28	SS7110710SL	38	29	TA0800504R0	22	53
SS6080410SP	68	12	SS7110710SP	2	29	TA0950806R0	48	4
SS6080720SP	14	23	SS7110720SP	42	13	TA1030402R0	18	7
SS6081210TP	10	42	SS7110720TP	28	39	TA1871602R0	6	41
SS6090420SP	56	11	SS7110840SP	10	46	TA2050416R0	18	8
SS6090620TP	20	8	SS7110840SP	12	46	TA2050805R0	6	42
SS6090620TP	26	65	SS7110840SP	24	51	WP0250516SD	34	23
SS6090620TP	28	37	SS7110840SP	26	51	WP0250516SD	68	34
SS6090630TP	24	12	SS7110840SP	30	28	WP0370316SD	46	20
SS6090630TP	54	27	SS7110840SP	42	36	WP0370316SD	56	14
SS6090630TP	56	37	SS7110840SP	48	24	WP0371016SD	20	28

NUMERICAL INDEX OF PARTS

PART NO	PAGE	REF NO.
WP0371026SD	48	23
WP0460556SD	22	61
WP0460556SD	32	46
WP0480856SP	22	62
WP0531001SC	60	28
WP0531001SC	62	31
WP0531001SC	64	30
WP0531001SC	66	33
WP0621016SD	22	63
WP0651056SD	50	22
WP0671016SE	58	36
WP0751576SD	6	25
WP0764016SP	10	13
WP0850002SC	56	30
WP0871602SE	58	30
WP1002036SE	54	28
WP1002036SE	56	39
WP1612616SE	60	27
WP1612616SE	62	32
WP1612616SE	64	29
WP1612616SE	66	34
WS0510002KN	60	29
WS0510002KN	62	33
WS0510002KN	64	31
WS0510002KN	66	35
WS0621210KR	58	35
WS0822010KP	6	26
WS0861410KR	58	29
WS1002560KR	54	29
WS1002560KR	56	36
WZ0420350KP	2	37
WZ0420350KP	68	24
WZ0640312K0	40	43
WZ0850302K0	6	30
WZ2640310KH	10	15