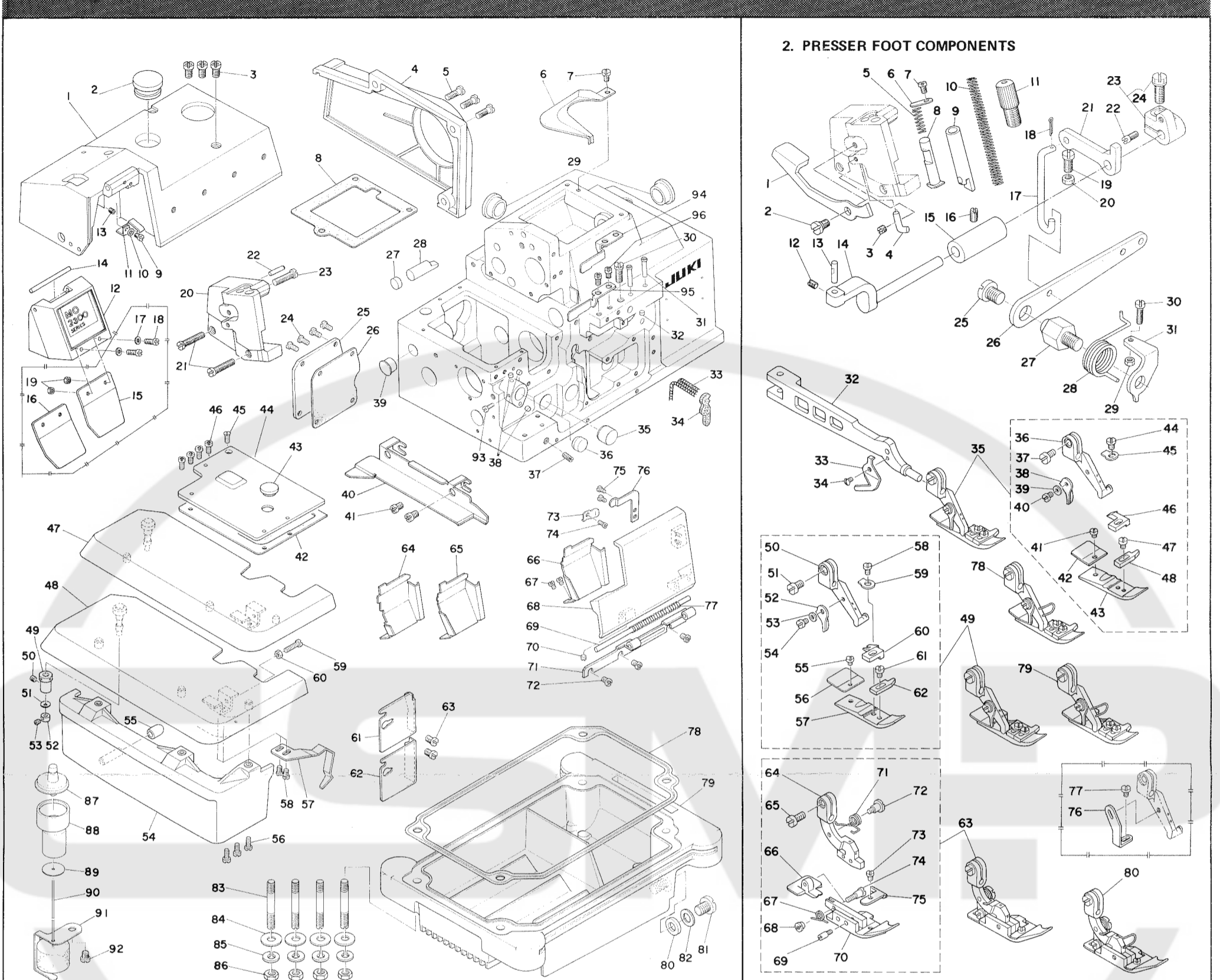
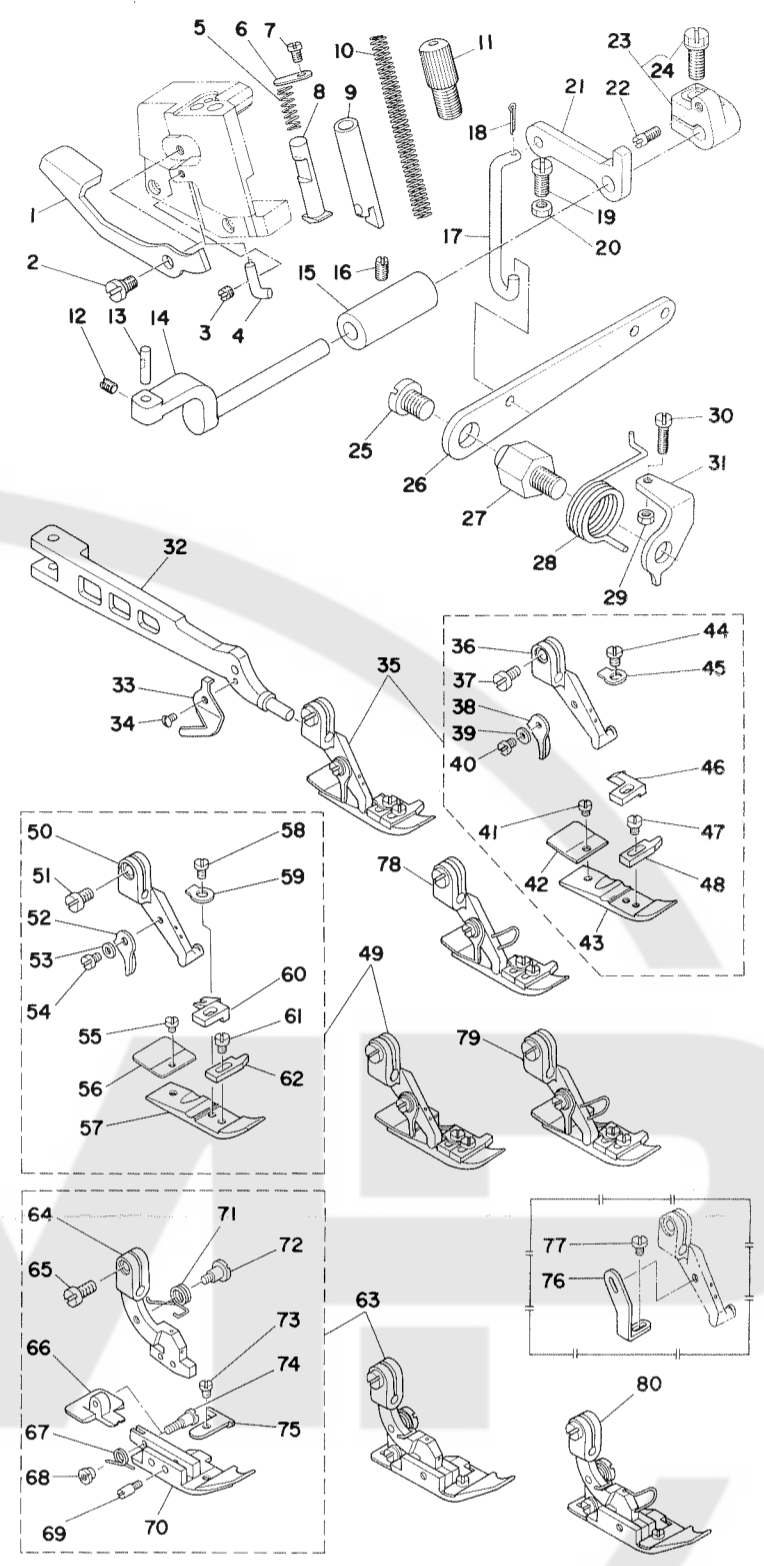


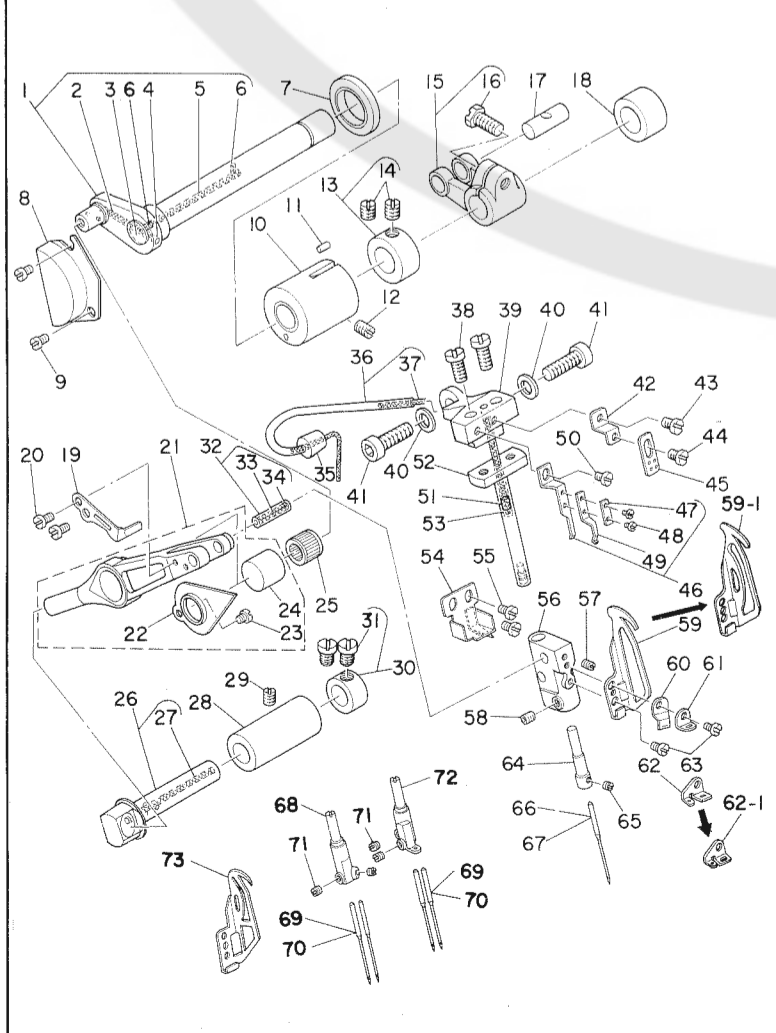
**PARTS LIST**



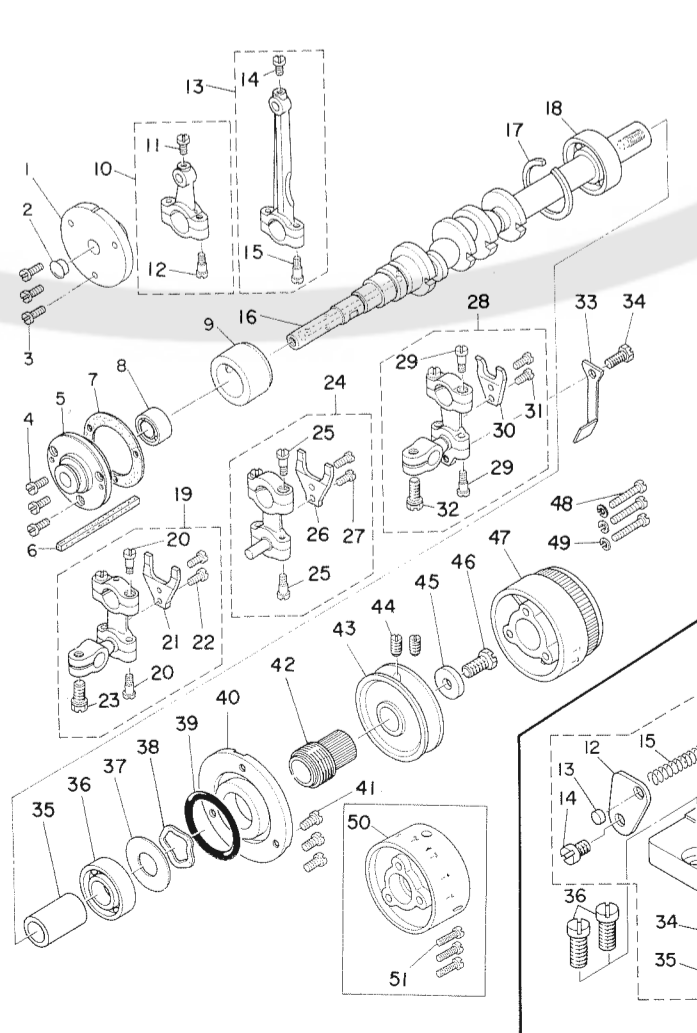
**2. PRESSER FOOT COMPONENTS**



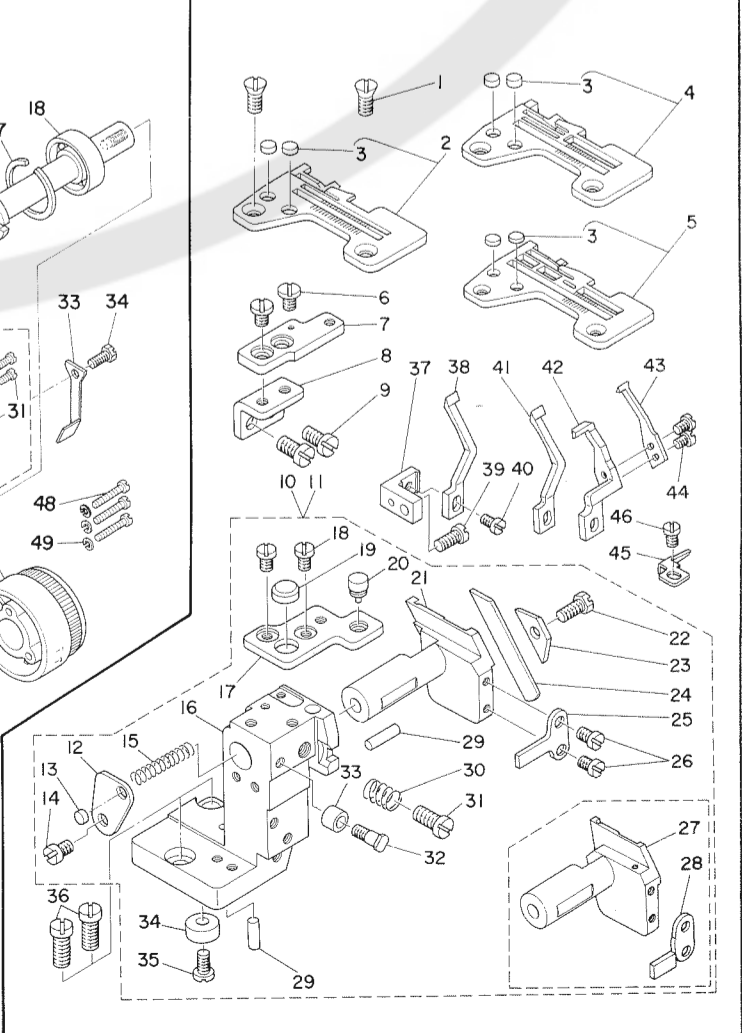
**3. NEEDLE DRIVING SHAFT COMPONENTS**



**4. CRANKSHAFT COMPONENTS**



**5. LOWER KNIFE COMPONENTS**



Ref. Note Part No. Description E.C. Amt. Req.

1. FRAME COMPONENTS

Table with 5 columns: Ref. No., Note, Part No., Description, E.C., Amt. Req. Rows include parts like 118-03608 Upper cover, TA-2050805-R0 Rubber plug, SS-4121015-SP Screw 3/16-28 L=10, etc.

2. PRESSER FOOT COMPONENTS

Table with 5 columns: Ref. No., Note, Part No., Description, E.C., Amt. Req. Rows include parts like 118-20404 Presser foot lifting lever, SD-0630271-SP Hinge screw D=6.35 H=2.7, SS-8110422-TP Screw 11/64-40 L=4, etc.

Note 001 ..... Special order part for MO-2304, MO-2314
002 ..... Special order part for MO-2316
003 ..... Special order part
004 ..... For MO-2304, MO-2314
005 ..... For MO-2316 (special order part)
006 ..... For MO-2316

Ref. Note Part No. Description E.C. Amt. Req.

3. NEEDLE DRIVING SHAFT COMPONENTS

Table with 5 columns: Ref. No., Note, Part No., Description, E.C., Amt. Req. Rows include parts like B1409-804-0C0 Needle driving shaft asm, D. 9/84, 118-17459 Needle driving shaft asm, A. 9/84, 115-82509 Oil wick, 115-17505 Oil cap, etc.

Note 007 ..... For MO-2314
008 ..... For MO-2304
009 ..... Selecting part for fit tolerance
010 ..... For MO-2304, MO-2316
011 ..... For MO-2314, MO-2316
012 ..... For MO-2304, MO-2316 (Needle #8 ~ #13)

Ref. Note Part No. Description E.C. Amt. Req.

4. CRANKSHAFT COMPONENTS

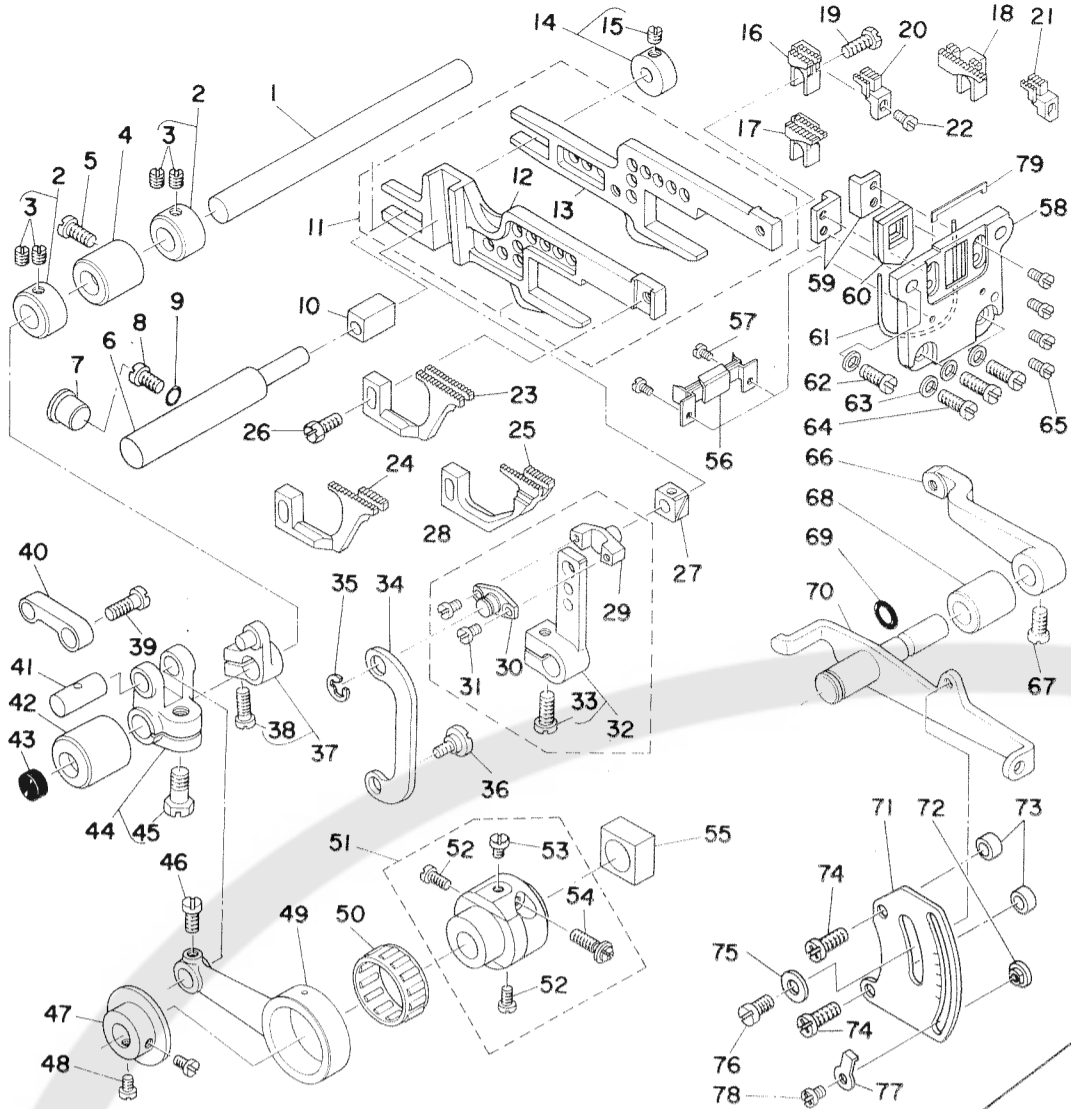
Table with 5 columns: Ref. No., Note, Part No., Description, E.C., Amt. Req. Rows include parts like 118-11908 Crankshaft bushing, D, TA-1100604-R0 Plug, SS-7091110-TP Screw 9/64-40 L=10.5, etc.

5. LOWER KNIFE COMPONENTS

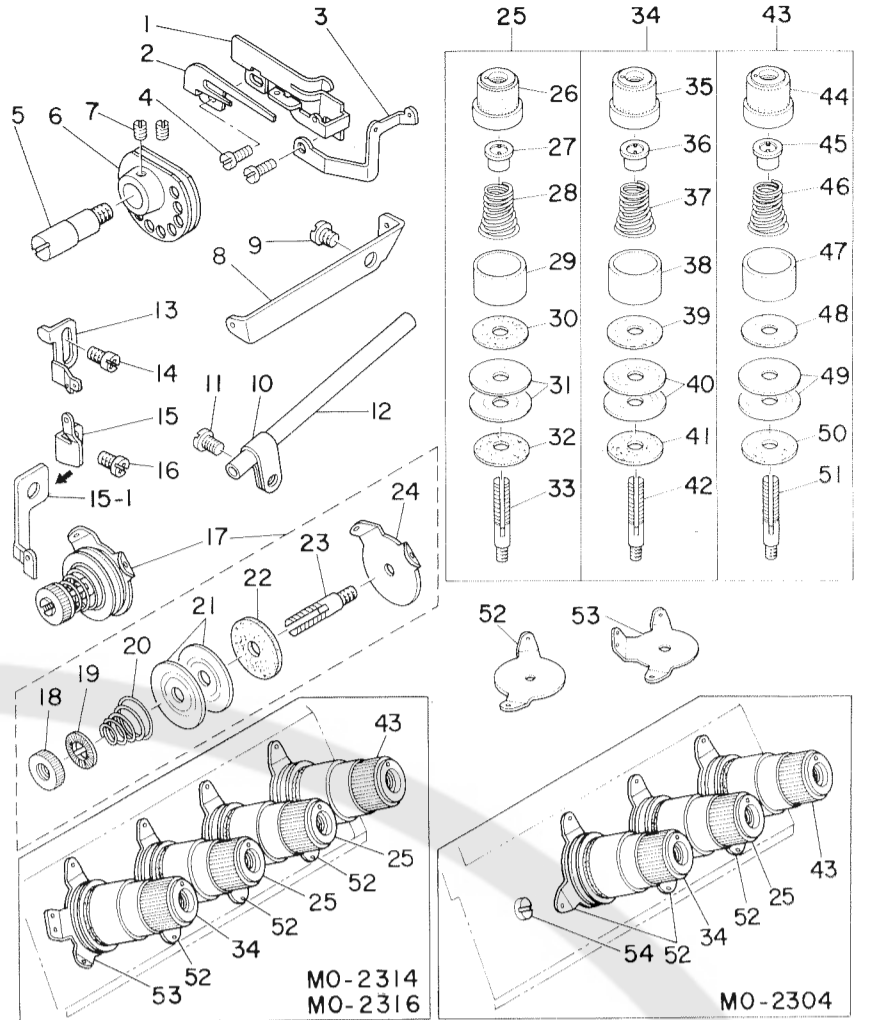
Table with 5 columns: Ref. No., Note, Part No., Description, E.C., Amt. Req. Rows include parts like SS-2110710-TP Screw 11/64-40 L=7, R4200-HOD-DA0 Throat plate asm., 118-06304 Plug, etc.

Note 013 ..... For MO-2304, MO-2316 (Needle #14 ~ #20) and MO-2314 (Needle #6 ~ #8)
014 ..... For MO-2304, MO-2316 (Needle #21) and MO-2314 (Needle #9 ~ #16)
015 ..... For large spool thread stand (special order part)
016 ..... Standard part for MO-2304
017 ..... Standard part for MO-2314
018 ..... Standard part for MO-2316
019 ..... For JE

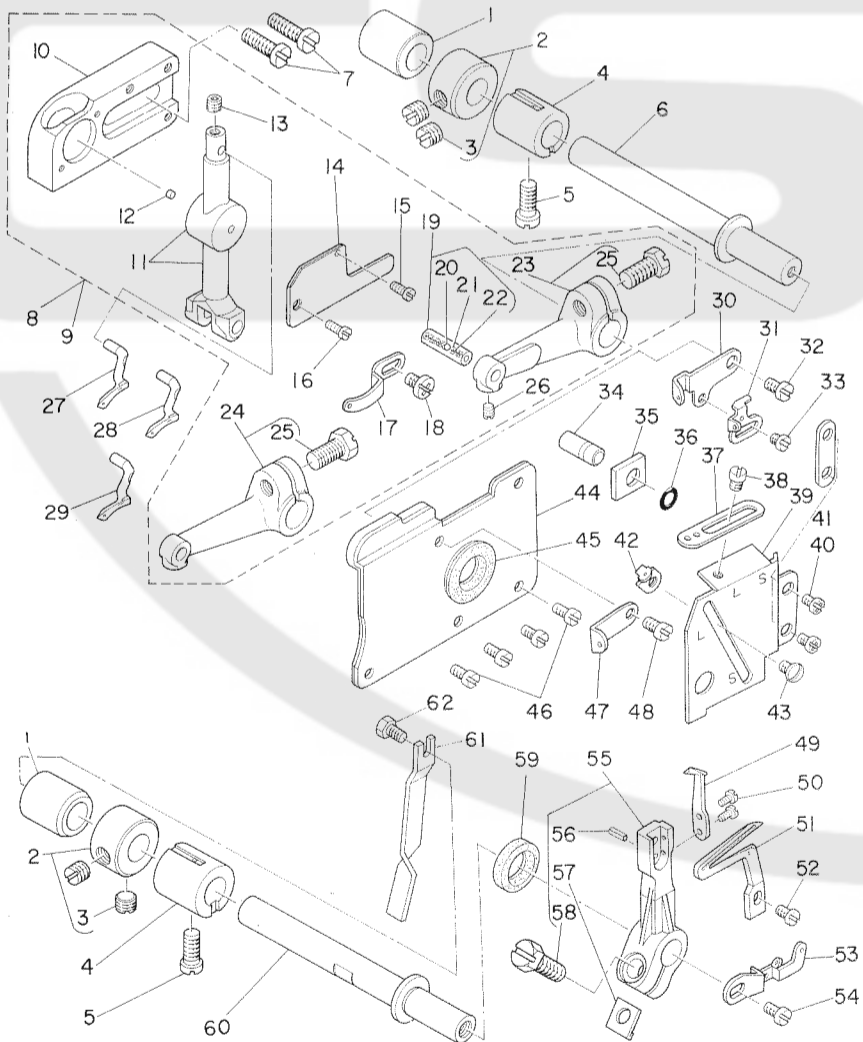
### 6. FEED MECHANISM COMPONENTS



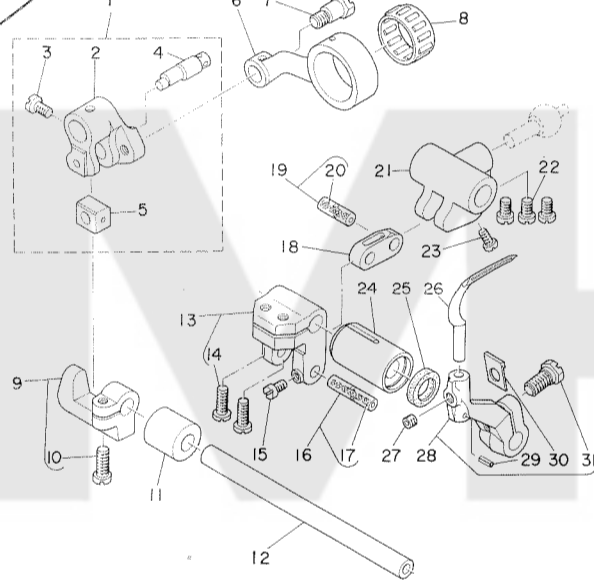
### 7. THREAD TENSION COMPONENTS



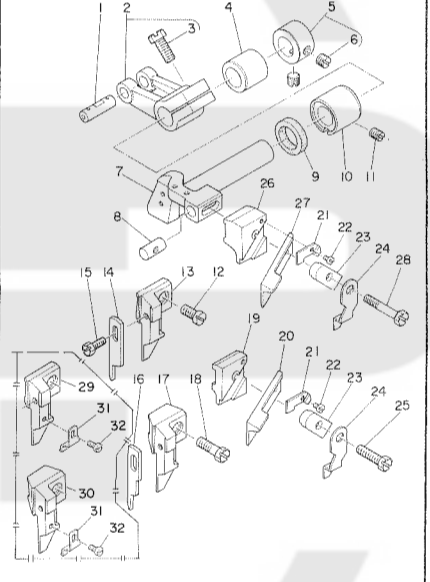
### 10. UPPER & LOWER LOOPER COMPONENTS



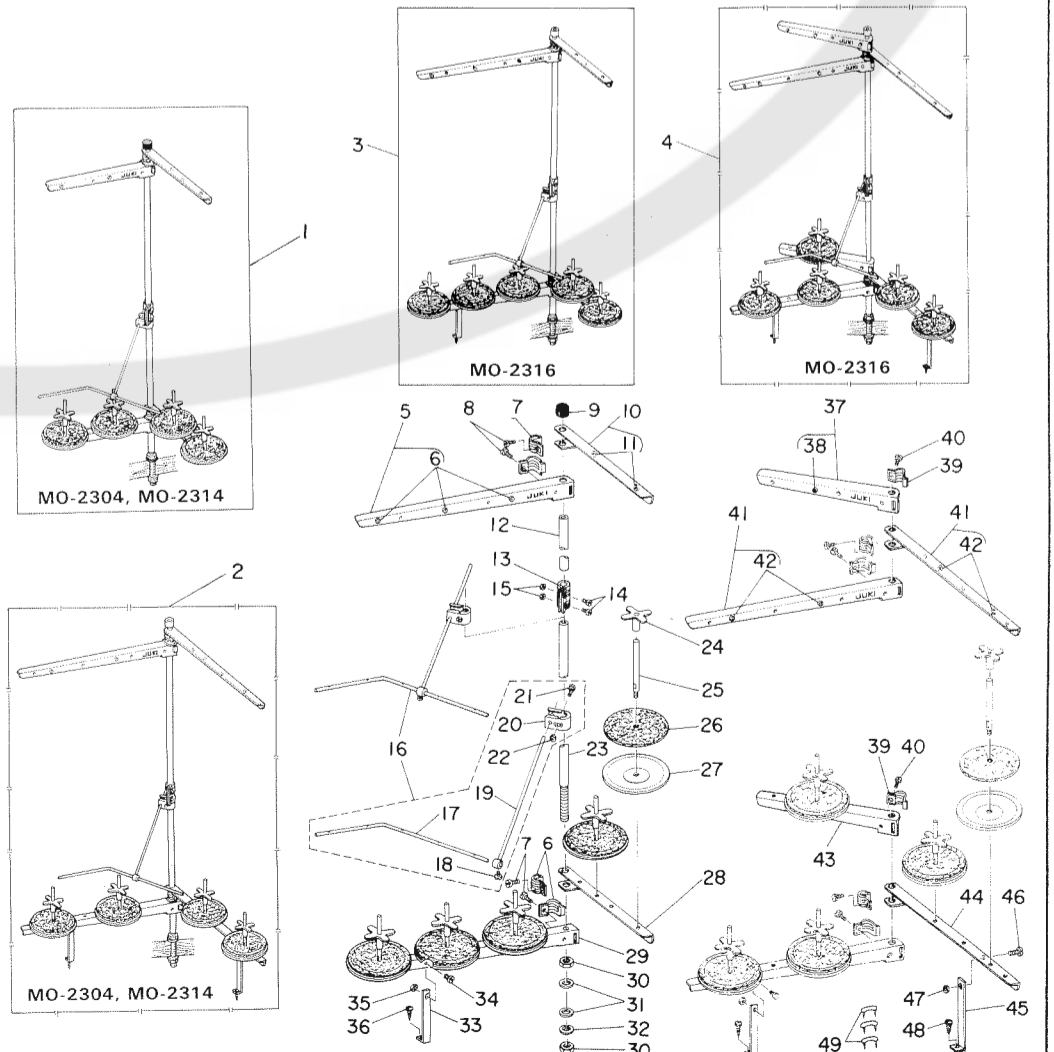
### 8. CHAIN LOOPER COMPONENTS (FOR MO-2316)



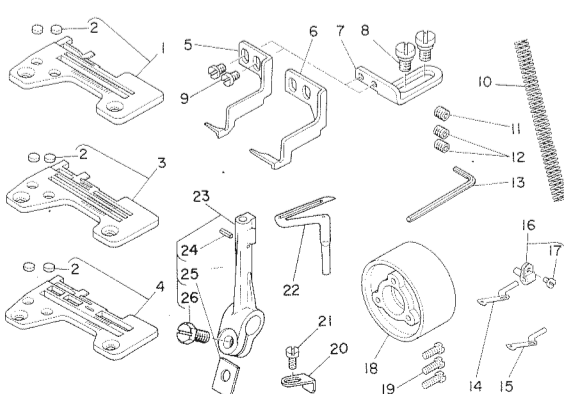
### 9. UPPER KNIFE COMPONENTS



### 11. THREAD STAND COMPONENTS



### 12. SPECIAL ORDER PARTS COMPONENTS



Ref. No.	Usage
1 ~ 9	For overedge with adjustment Overedge width MO-2304 2.7 ~ 6.4 mm MO-2314 2.7 ~ 4 mm MO-2316 2.7 ~ 6.4 mm
10	For light-weight materials
11 ~ 13	For needle set
14 ~ 17, 20, 21	For adjustment type
18, 19	For synchronizer
22 ~ 26	For wide width



Ref. No.	Note	Part No.	Description	E.C.	Amt. Req.	Ref. No.	Note	Part No.	Description	E.C.	Amt. Req.	Ref. No.	Note	Part No.	Description	E.C.	Amt. Req.
<b>6. FEED MECHANISM COMPONENTS</b>																	
1		B1613-804-000	Rocker shaft		1	41		B3120-352-000	Thread tension spring felt		(1)	27	◇12	118-88005	Upper looper		1
2		CS-095081B-SH	Thrust collar asm. D=9.53 W=8		2	42		B3105-804-000	Tension post		(1)	28	◇13	118-88104	Upper looper		1
3		SS-8110410-TP	Screw 11/64-40 L=3.5		(4)	43		B3103-704-0B0	Thread tension spring asm., blue		1	29	◇14	118-88302	Upper looper		1
4		118-27201	Bushing, rear		1	44		B3106-704-0B0	Thread tension knob, blue		(1)	30		118-33001	Looper thread take-up, right		1
5		SS-6121020-SP	Screw 3/16-28 L=9.5		1	45		B3112-704-000	Tension spring bushing		(1)	31		118-33506	Lower looper thread take-up		1
6		118-27409	Feed bar shaft		1	46		B3103-804-000	Tension spring, blue		(1)	32		SS-7110840-SP	Screw 11/64-40 L=7.8		1
7		TA-0800504-R0	Plug		1	47		B3107-704-000	Tension disc presser tube		(1)	33		SS-6080410-SP	Screw 1/8-44 L=4		1
8		SS-7120910-SP	Screw 3/16-28 L=9		1	48		B3120-704-000	Thread tension spring felt		(1)	34		118-31906	Pin		1
9		RO-0371801-00	Rubber ring		1	49		B3126-012-000	Tension disc		(2)	35		118-31807	Gauge		1
10		B1624-704-000	Slide block		1	50		B3120-352-000	Thread tension spring felt		(1)	36		RO-0371801-00	Rubber ring		1
11		118-27755	Main feed bar asm.		1	51		B3105-804-000	Tension post		(1)	37		118-32904	Looper thread guide, right		1
12		118-27805	Differential feed bar		(1)	52		B3108-704-000	Thread guide		3	38		SS-5090420-SP	Screw 9/64-40 L=3.5		1
13		118-27706	Main feed bar		(1)	53	◇11	118-36301	Thread guide		1	39		118-32805	Looper thread take-up cover		1
14		B1627-804-0A0-A	Collar asm.		1	54	◇08	SS-7110710-SL	Screw 11/64-40 L=7.0		1	40		SS-4110715-SP	Screw 11/64-40 L=7		2
15		SS-8110410-TP	Screw 11/64-40 L=3.5		(1)							41		118-34207	Thread take-up cover washer		1
16	◇08	118-82107	Main feed dog		1							42		118-33407	Lower looper thread guide		1
17	◇07	115-97101	Main feed dog		1							43		SS-5090420-SP	Screw 9/64-40 L=3.5		1
18	◇06	118-82800	Main feed dog		1							44		118-32706	Oil shield plate asm.		1
19		SS-9111050-SP	Screw 11/64-40 L=9.5		1							45		B2530-704-000	Upper looper shaft rubber ring		1
20	◇04	118-87106	Auxiliary feed dog		1							46		SS-6090630-SP	Screw 9/64-40 L=6		4
21	◇06	118-87403	Auxiliary feed dog		1							47		118-33100	Looper thread guide		1
22		SS-4080610-SP	Screw 1/8-44 L=6.4		1							48		SS-7090850-SP	Screw 9/64-40 L=8		1
23	◇08	B1657-804-00T	Differential feed dog		1	1		B2103-816-0A0	Chain looper shaft slide arm asm.		(1)	49		118-90001	Traveling needle guard		1
24	◇07	B1657-814-BOE	Differential feed dog		1	2		B2103-816-000-A	Chain looper shaft slide arm		(1)	50		SS-6060410-TP	Screw 3/32-56 L=3.5		2
25	◇06	118-85209	Differential feed dog		1	3		SS-7110720-TP	Screw 11/64-40 L=7.0		(1)	51		118-88401	Lower looper		1
26		SS-9111010-SP	Screw 11/64-40 L=9.5		1	4		B2120-816-000	Chain looper slide block pin		(1)	52		SS-6090620-SP	Screw 9/64-40 L=6		1
27		B1663-804-000	Slide block		1	5		B2105-816-000	Chain looper slide block		(1)	53		118-33209	Looper thread take-up, left		1
28		118-25353	Differential feed rocker asm.		1	6		B2102-816-000-A	Chain looper rod (22mm)		1	54		SS-7110840-SP	Screw 11/64-40 L=7.8		1
29		118-25304	Differential feed pin		(1)	7		SD-0720801-TH	Hinge screw D=7.24 H=8		1	55		118-32458	Lower looper support arm asm.		(1)
30		118-26401	Pin cover		(1)	8	◇09	B2119-816-800	Bearing B		1	56		PS-0200062-KH	Spring pin 2 x 6		(1)
31		SS-6080410-SP	Screw 1/8-44 L=4		(2)	9		B2108-816-0A0	Bracket asm.		1	57		B2531-704-000	Washer		(1)
32		115-27967	Differential feed rocker asm.		(1)	10		SS-6121220-TP	Screw 3/16-28 L=11.5		(1)	58		SS-9151210-TP	Screw 15/64-28 L=11.8		(1)
33		SS-6121220-TP	Screw 3/16-28 L=11.5		(1)	11		B2111-716-000	Bushing, rear		1	59		B2508-704-000	Oil seal		1
34		118-26302	Link		1	12		118-29207	Chain looper shaft		1	60		118-33902	Lower looper shaft		1
35		RE-0500000-K0	Snap ring 5		1	13		115-39053	Chain looper shaft driving arm asm.		(1)	61		118-42200	Oil plate		1
36		SD-0720271-SP	Hinge screw D=7.2 H=2.7		1	14		SS-6121220-TP	Screw 3/16-28 L=11.5		(1)	62		SS-9090813-TP	Screw 9/64-40 L=8		1
37		118-27359	Main feed rocker asm.		1	15		SS-4080610-SP	Screw 1/8-44 L=6.4		1						
38		SS-6121220-TP	Screw 3/16-28 L=11.5		(1)	16	◇09	B2106-816-CA0	Pin asm., long		1						
39		SD-0720601-TH	Hinge screw D=7.24 H=6.0		1	17		CQ-2020000-00	Oil wick		(1)						
40		B1619-804-000	Feed link		1	18		B2113-816-000	Chain looper shaft driving link		1						
41	◇09	118-23804	Crank pin		1	19	◇09	B2114-816-CA0	Pin asm., short		1						
42		118-27003	Bushing, front		1	20		CQ-2020000-00	Oil wick		(1)						
43		TA-1030402-R0	Rubber plug		1	21		B2115-816-000	Driving ball arm bracket		1						
44		B1611-804-0A0	Forced link asm.		1	22		SS-6110710-TP	Screw 11/64-40 L=6.5		1						
45		SS-9151210-TP	Screw 15/64-28 L=11.8		(1)	23		SS-4080610-SP	Screw 1/8-44 L=6.4		1						
46		SS-7110910-TP	Screw 11/64-40 L=8.5		1	24		B2110-816-000-B	Bushing, front		1						
47		118-26807	Feed eccentric thrust collar		1	25		B2525-352-000	Oil seal ring		1						
48		SS-6110710-TP	Screw 11/64-40 L=6.5		2	26		118-29405	Chain looper		1						
49		B1610-804-000	Crank rod		1	27		SS-8110422-TP	Screw 11/64-40 L=4		1						
50	◇09	B1609-804-B00	Needle bearing		1	28		118-29355	Chain looper driving arm asm.		1						
51		118-26765	Feed eccentric body asm.		1	29		PS-0200062-KH	Spring pin 2 x 6		(1)						
52		SS-7110810-SP	Screw 11/64-40 L=8.0		(2)	30		B2531-704-000	Washer		(1)						
53		SS-7110540-SN	Screw 11/64-40 L=6		(1)	31		SS-9151210-TP	Screw 15/64-28 L=11.8		1						
54		B1624-850-000	Stitch regulating screw		(1)												
55		118-26906	Slide block		1												
56		118-27607	Oil shield rubber, lower		1												
57		SS-7060310-SP	Screw 3/32-56 L=3		2												
58		118-24802	Rubber case		1												
59		118-24703	Feed bar support		2												
60		118-27508	Rubber		2												
61		RO-4801201-00	Rubber ring		1		◇09	B1403-352-C00	Crank pin		1						
62		SS-9111010-SP	Screw 11/64-40 L=9.5		1	2		115-65058	Upper knife driving arm asm.		1						
63		WP-0480856-SP	Washer 4.8 x 8.4 x 0.8		4	3		SS-9661230-CP	Screw 1/4-40 L=12		(1)						
64		SS-7111120-SP	Screw 11/64-40 L=10.5		3	4		118-47308	Bushing, rear		1						
65		SS-6090650-SP	Screw 9/64-40 L=6		4	5		CS-111101E-SH	Thrust collar asm. D=11.11 W=10		1						
66		B1642-804-000-B	Differential feed rocker		4	6		SS-8660330-SP	Screw 1/4-40 L=3.0		(2)						
67		SS-7120910-TP	Screw 3/16-28 L=9		1	7		118-45203	Knife driving arm shaft		1						
68		B1645-704-000-A	Bushing		1	7-1	☆	SS-4060310-SP	Screw 3/32-56 L=2.5		A.11/83						
69		RO-0601501-00	Rubber ring		1	8		115-65801	Upper knife guide shaft		1						
70		118-25858	Rocker shaft asm.		1	9		115-66809	Oil seal		1						
71		118-27102	Differential feed graduation		1	10		118-47209	Bushing, front		1						
72		115-29005	Stopper		1	11		SS-8120740-SP	Screw 3/16-28 L=7		1						
73		115-28809	Washer		1	12	◇01	SS-6111040-SP	Screw 11/64-40 L=9.5		1						
74		SS-4121215-SP	Screw 3/16-28 L=12		2	13	◇01	118-45302	Upper knife support A		1						
75		WP-0482086-SD	Washer 4.8 x 11.5 x 2.0		1	14	◇01	118-47407	Knife		1						
76		SS-7110710-TP	Screw 11/64-40 L=7		1	15	☆	SS-9090813-TP	Screw 9/64-40 L=8		1						
77		115-29104	Washer		1	15-1	☆	WP-0370316-SD	Washer 3.7 x 8 x 0.8		A. 1/84						
78		SS-4090515-SP	Screw 9/64-440 L=5		1	16	◇02	118-47506	Knife		1						
79		118-27904	Rubber		1	17	◇02	118-45401	Upper knife support		1						
						18		SS-6111610-SP	Screw 11/64								