

1-NEEDLE, 3-THREAD OVERLOCK SEWING MACHINE
OVERLOCK-NÄHMASCHINE MIT 1 NADELN, 3 FÄDEN
SURJETEUSE-RASEUSE 1 AIGUILLES, 3 FILS

JUKI

MO-613

2-NEEDLE, 4-THREAD OVERLOCK SEWING MACHINE
OVERLOCK-NÄHMASCHINE MIT 2 NADELN, 4 FÄDEN
SURJETEUSE-RASEUSE 2 AIGUILLES, 4 FILS

MO-634/634D

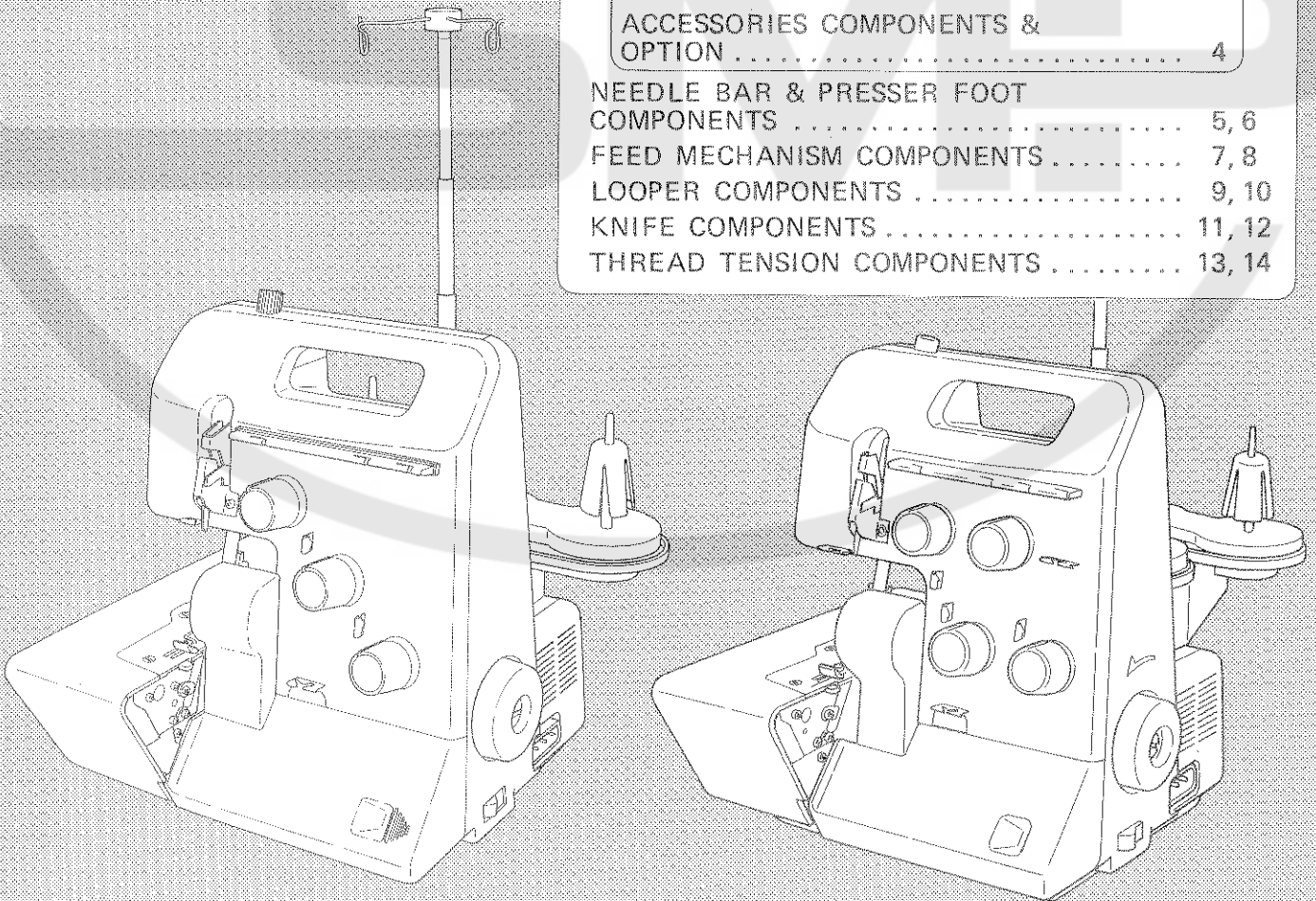
Parts list

Teilekatalog

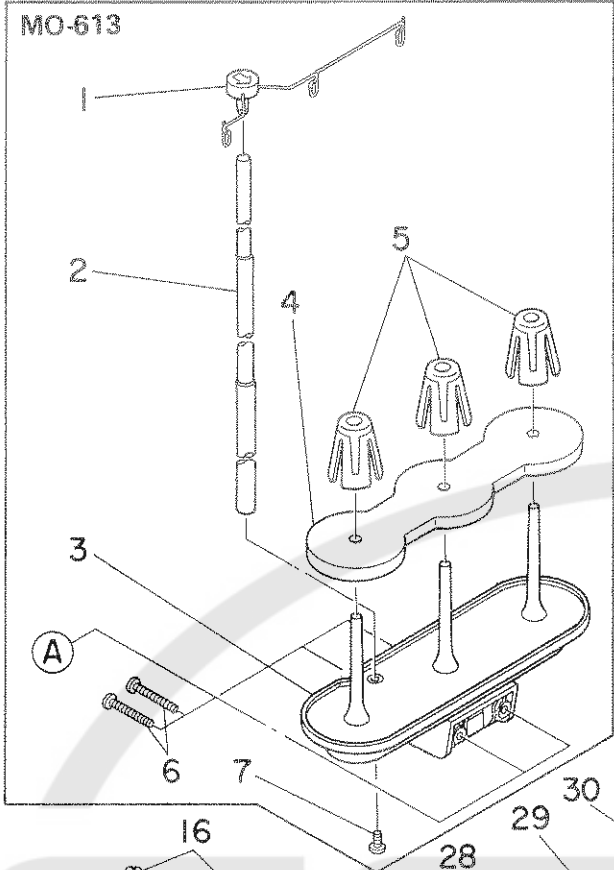
Catalogue de pièces détachées

CONTENTS

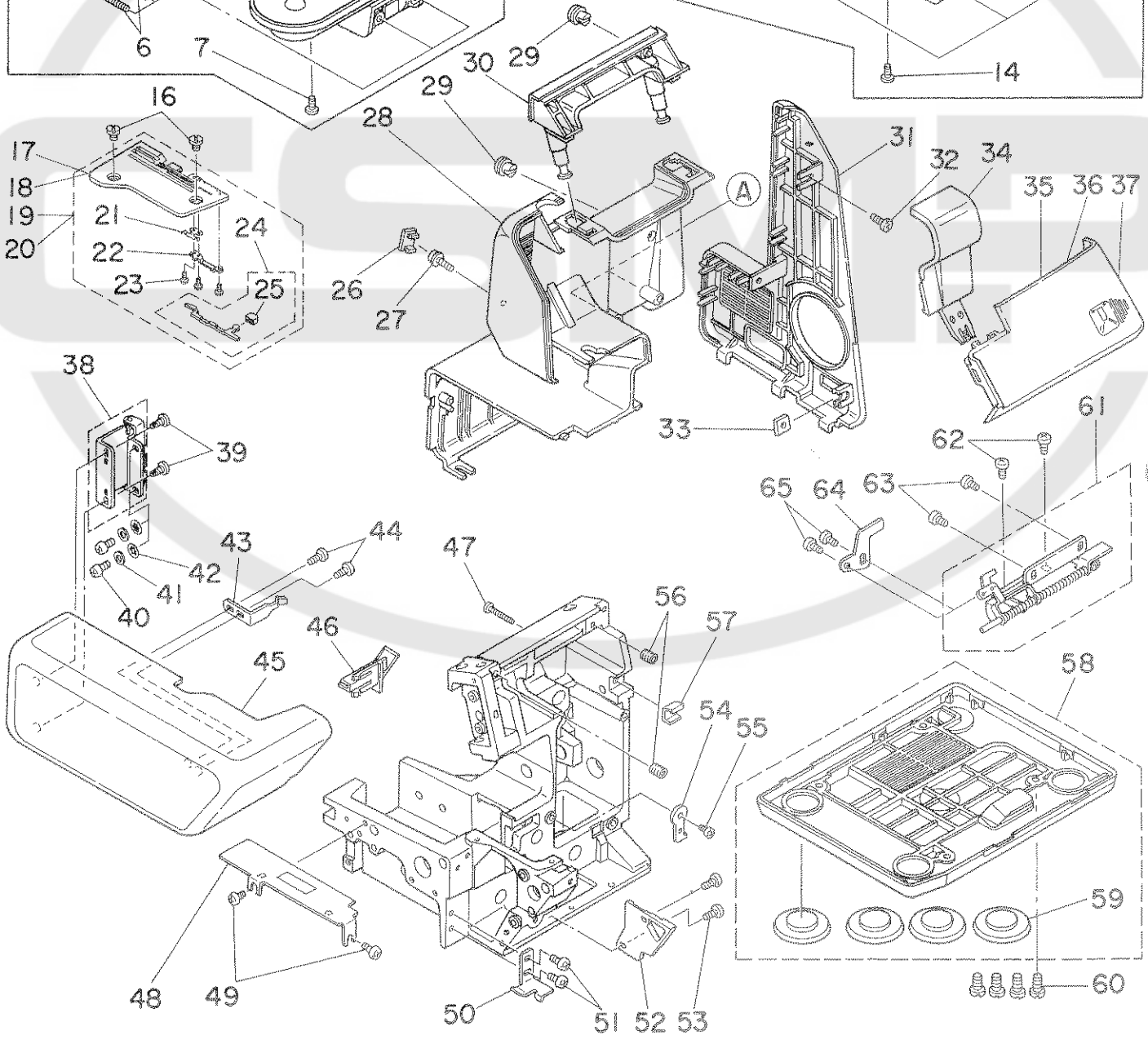
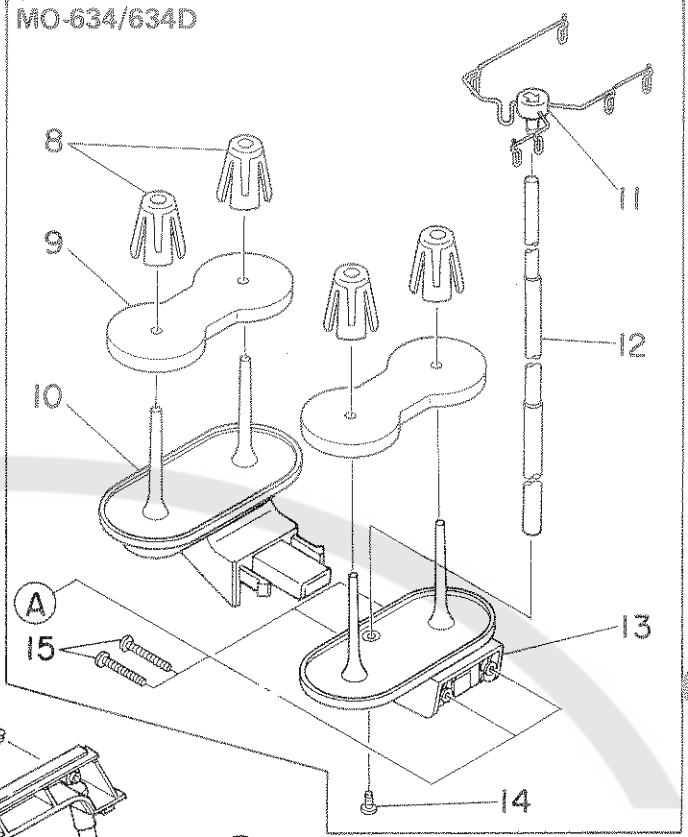
FRAME COMPONENTS	1, 2
MAIN SHAFT	3, 4
MOTOR COMPONENTS	3
ACCESSORIES COMPONENTS & OPTION	4
NEEDLE BAR & PRESSER FOOT COMPONENTS	5, 6
FEED MECHANISM COMPONENTS	7, 8
LOOPER COMPONENTS	9, 10
KNIFE COMPONENTS	11, 12
THREAD TENSION COMPONENTS	13, 14



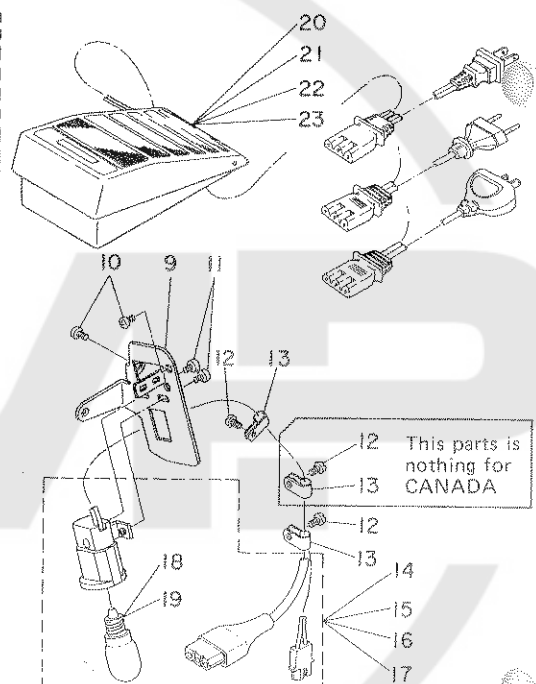
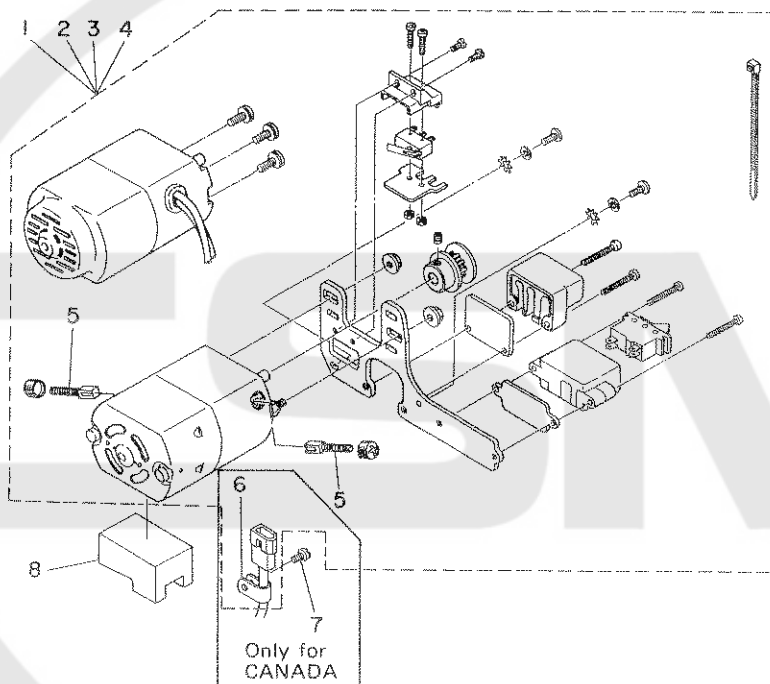
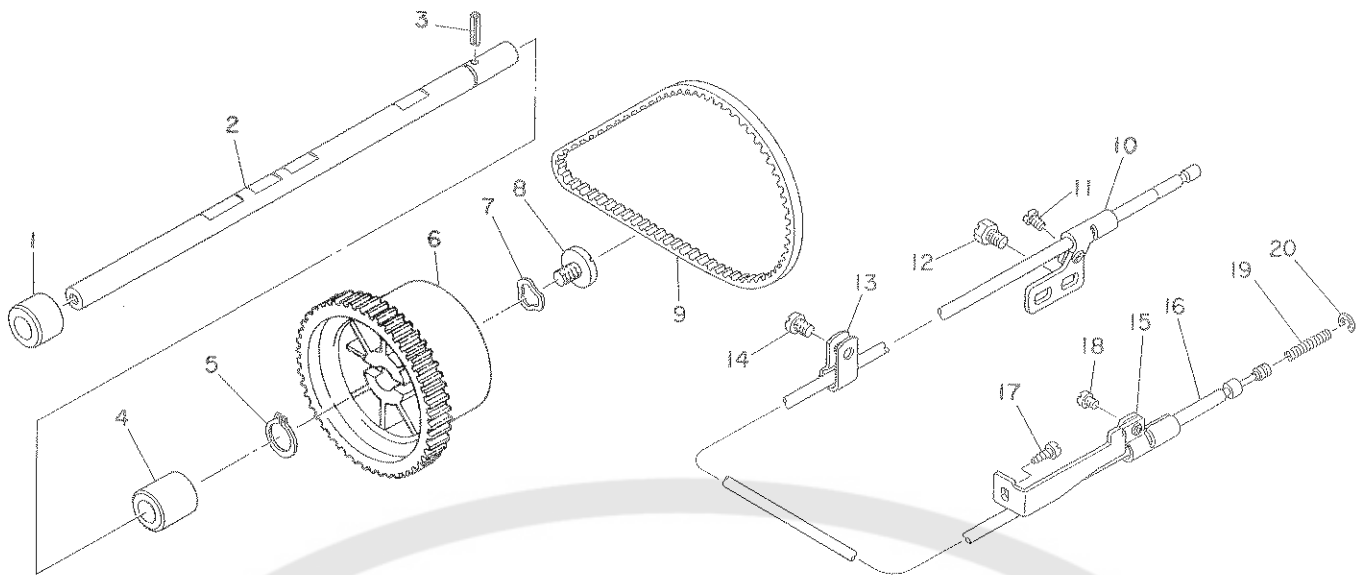
MO-613



MO-634/634D

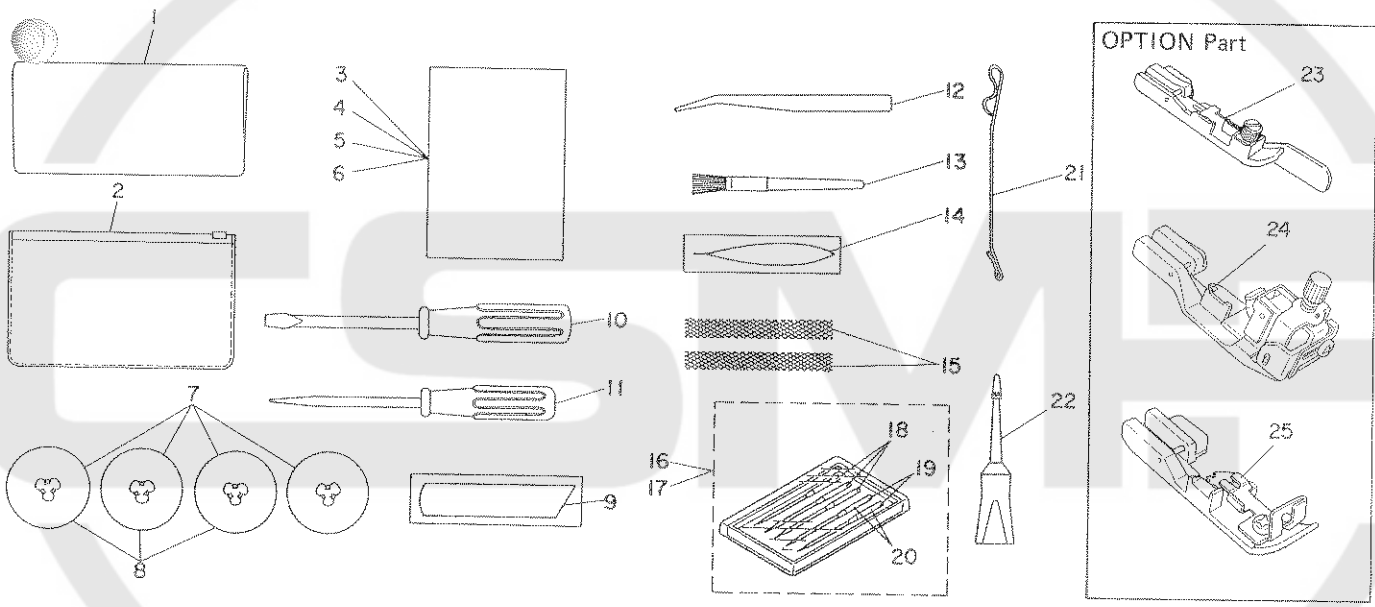


Ref. No.	Note	Part No.	Description	E.C	Amt. Req.
1	613	A1120-613-0A0	THREAD GUIDE ASM.		1
2	613	A1120-334-000	SUPPORTING ROD		1
3	613	A1118-503-000	SPOOL HOLDER		1
4	613	A1121-203-000	FOAM PAD		1
5	613	A1120-202-000	ANTI-VIBRATION CONE		3
6	613	SM-5043755-SC	SCREW		2
7	613	SM-5051255-SN	SCREW		1
8	634/634D	A1120-202-000	ANTI-VIBRATION CONE		4
9	634/634D	A1121-202-000	FOAM PAD		2
10	634/634D	A1119-634-000	SPOOL HOLDER (B)		1
11	634/634D	A1120-634-0A0	THREAD GUIDE ASM.		1
12	634/634D	A1120-334-000	SUPPORTING ROD		1
13	634/634D	A1118-502-000	SPOOL HOLDER (A)		1
14	634/634D	SM-5051255-SN	SCREW		1
15	634/634D	SM-5043755-SC	SCREW		2
16		A1138-335-000	SCREW		2
17	613	A1115-503-0A0	THROAT PLATE		1
18	634/634D	A1115-334-0A0	THROAT PLATE		1
19	613	A1115-503-0B0	THROAT PLATE ASM.		1
20	634/634D	A1115-334-0B0	THROAT PLATE ASM.		1
21		A1131-203-000	LATCH PRESSER SPRING		1
22		A1132-334-000	THREAD SLIP GUIDE		1
23		SM-4020351-SC	SCREW		3
24		A1136-334-0A0	THROAT PLATE THREAD SLIP ASM.		1
25		A1167-335-000	THREAD SLIPPER CAP		1
26		A1146-503-000	COVER CAP (B)		1
27		SL-5031031-SN	SCREW		1
28		A1106-634-000	REAR COVER		1
29		A1124-503-000	COVER CAP (A)		2
30		A1145-634-000	HANDLE		1
31		A1103-634-000	SIDE COVER		1
32		SM-5040855-SN	SCREW		1
33		A3151-535-000	FRONT COVER NUT		1
34		A1152-634-000	CHIP GUARD COVER		1
35	613	A1151-613-000	LOOPER COVER		1
36	634	A1151-634-000	LOOPER COVER		2
37	634D	A1151-634-D00	LOOPER COVER		2
38		A1161-535-0A0	CLOTH PLATE HINGE ASM.		1
39		ST-5041051-SN	TUPING SCREW		2
40		SM-5040855-SN	SCREW		2
41		WT-0430002-KR	N-WASHER		2
42		WP-0430801-SC	WASHER		2
43		A1160-634-000	CLOTH PLATE OPENING SPRING		1
44		ST-5041051-SN	TUPING SCREW		4
45		A1104-634-000	CLOTH PLATE		1
46		A1104-634-A00	CLOTH PLATE COVER		1
47		SM-5032555-SE	SCREW		1
48		A1135-535-000	UPPER COVER		1
49		SM-5040855-SN	SCREW		2
50		A1164-535-000	CLOTH PLATE PRESSER PLATE		1
51		SM-5040855-SN	SCREW		2
52		A1156-634-000	LOOPER COVER GUIDE		1
53		SM-4040655-SN	SCREW		2
54		A3161-634-000	FRONT COVER INSTALLATION PLATE		1
55		SM-4040655-SN	SCREW		1
56		SM-8050842-TP	SCREW		2
57		A3150-535-000	FRONT COVER ASM. PLATE		1
58		A1102-634-0A0	BASE PLATE ASM.		1
59		A1123-535-0A0	SUCTION FEET		4
60		SM-5051255-SN	SCREW		4
61		A1153-634-0A0	LOOPER COVER HINGE ASM.		1
62		SM-5040855-SN	SCREW		2
63		ST-5041051-SN	TUPING SCREW		2
64		A1169-634-000	CHIP GUARD COVER PLATE		1
65		SM-4850455-SN	SCREW		2

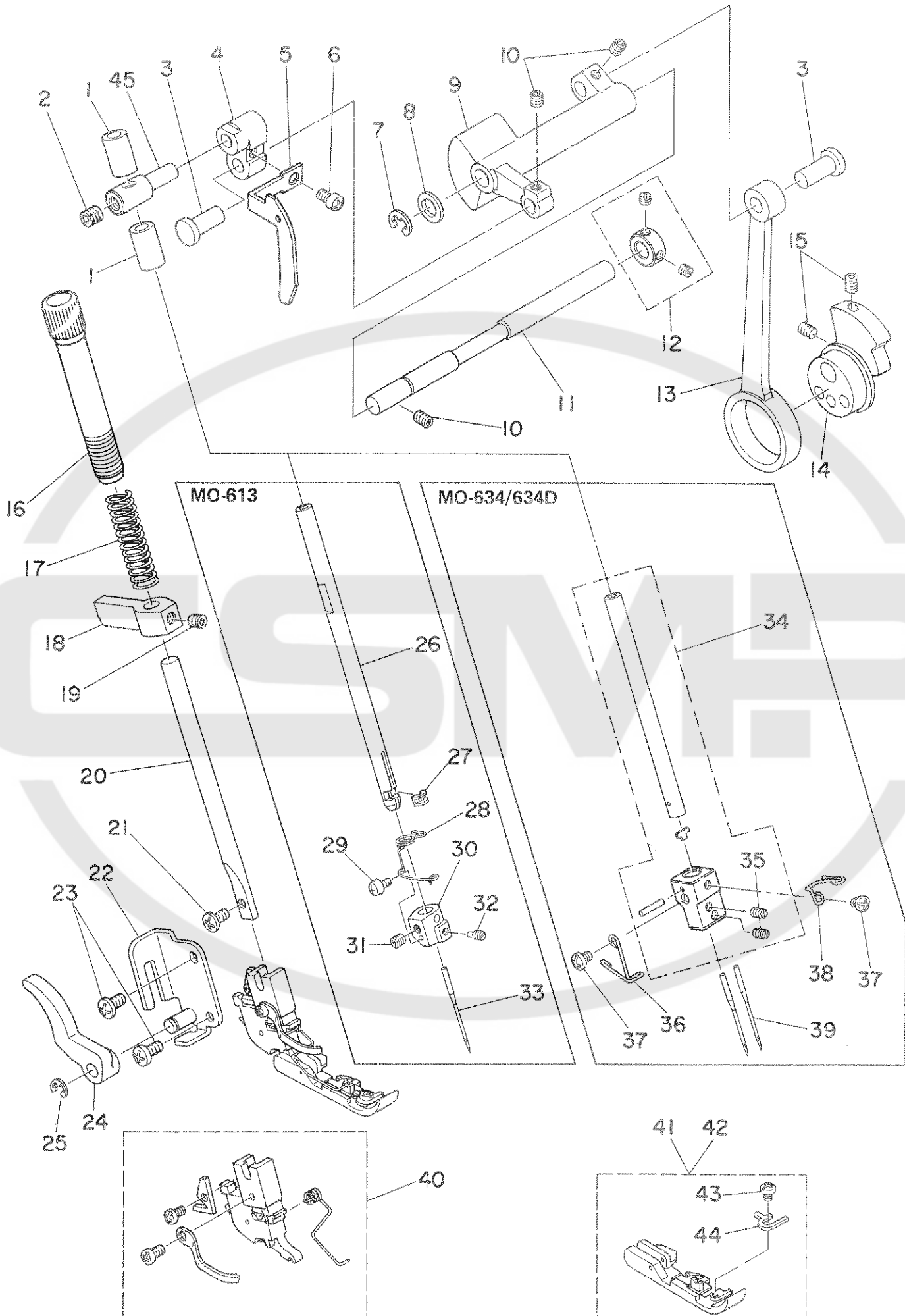


Ref. No.	Note	Part No.	Description	E.C	Amt. Req.
1		A6301-634-CA0	MOTOR ASM. (USA)		1
2		A6301-634-DA0	MOTOR ASM. (CANADA)		1
3		A6301-634-FA0	MOTOR ASM. (EUROPE)		1
4		A6301-634-GA0	MOTOR ASM. (AUS. GB.)		1
5		A6090-534-000	CARBON BRUSH		2
6		E-8739452-B00	CORD PRESSER		1
7		SM-4040655-SN	SCREW		1
8		A6003-535-000	MOTOR PROTECTOR		1
9		A6007-634-000	LAMP HOLDER SUPPORT		1
10		SM-4040655-SN	SCREW		2
11		SM-5030555-SC	SCREW		2
12		SM-4040655-SN	SCREW		3
13		E-8739452-B00	CORD PRESSER		3
14		A6006-535-01A	LAMP HOLDER ASM. (USA)		1
15		A6006-534-01D	LAMP HOLDER ASM. (CANADA)		1
16		A6006-535-01B	LAMP HOLDER ASM. (EUROPE)		1
17		A6006-535-01C	LAMP HOLDER ASM. (AUS)		1
18		A6013-535-000	LAMP (USA, CANADA)		1
19		A6013-534-C00	LAMP (EUROPE, AUS)		1
20		A6401-634-CA0	FOOT CONT. ASM. (USA)		1
21		A6401-634-DA0	FOOT CONT. ASM. (CANADA)		1
22		A6401-634-FA0	FOOT CONT. ASM. (EUROPE)		1
23		A6401-634-GA0	FOOT CONT. ASM. (AUS)		1

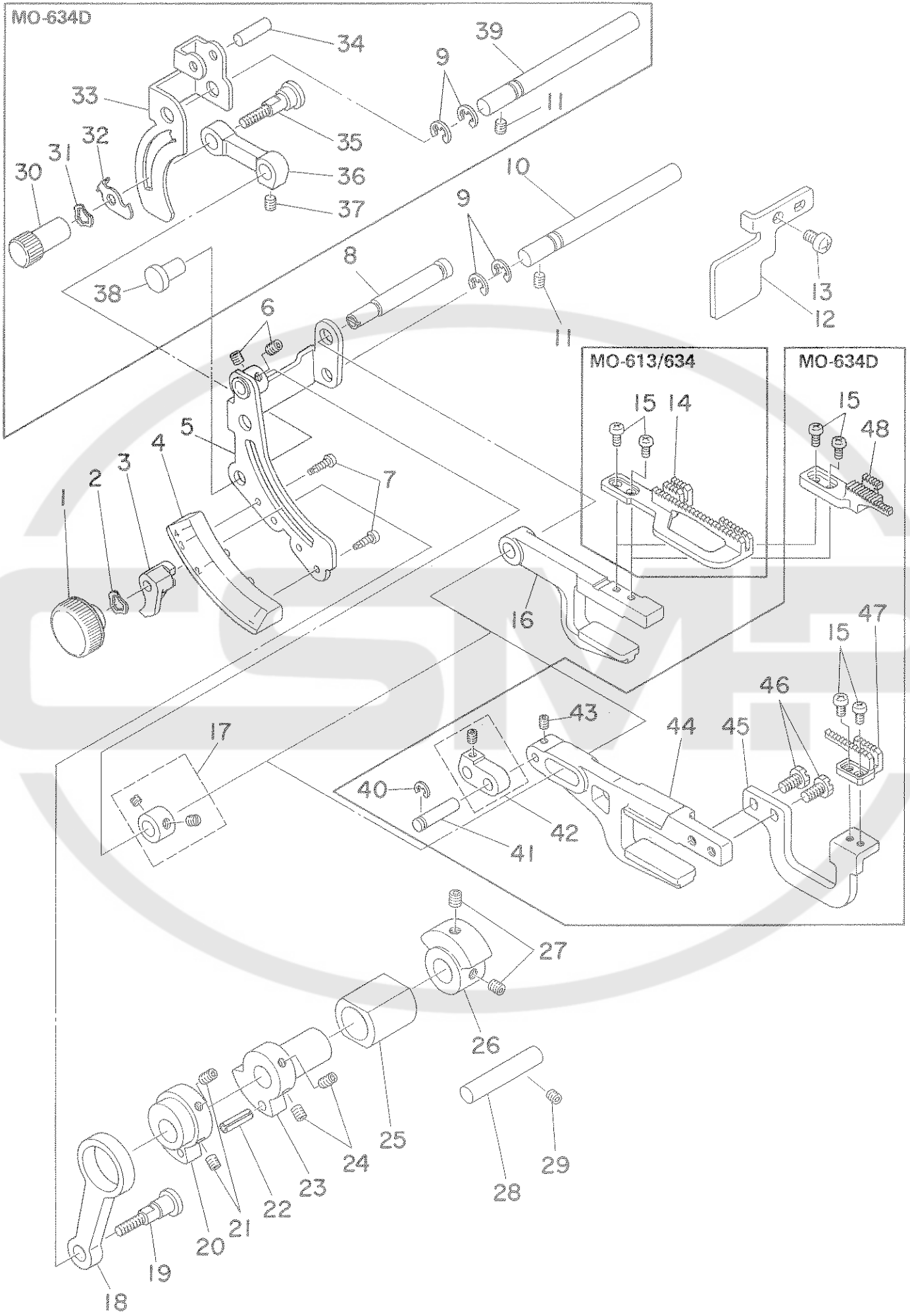
Ref. No.	Note	Part No.	Description	E.C	Amt. Req.
1		A1206-335-000	MAIN SHAFT BUSHING (FRONT)		1
2		A1201-535-000	MAIN SHAFT		1
3		PS-0400222-KH	PIN		1
4		A1206-202-000	MAIN SHAFT BUSHING (REAR)		1
5		A1206-102-000	C-RING		1
6		A1202-634-000	HADWHEEL		1
7		A1206-535-000	HADWHEEL WASHER		1
8		A1230-500-000A	HADWHEEL SETSCREW		1
9		A1205-634-000	TIMING BELT		1
10		A6021-535-000	WIRE HOLDER (B)		1
11		SM-4030455-SN	SCREW		1
12		SM-9040600-SP	SCREW		1
13		E-8739452-B00	CORD PRESSER		1
14		SM-4040655-SN	SCREW		1
15		A6020-535-000	WIRE HOLDER (A)		1
16		A6026-335-EA0	WIRE ASM.		1
17		ST-5030851-SN	TUPING SCREW		1
18		SM-4030455-SN	SCREW		1
19		A6033-535-000	SPRING		1
20		RE-0200000-K0	E-RING		1



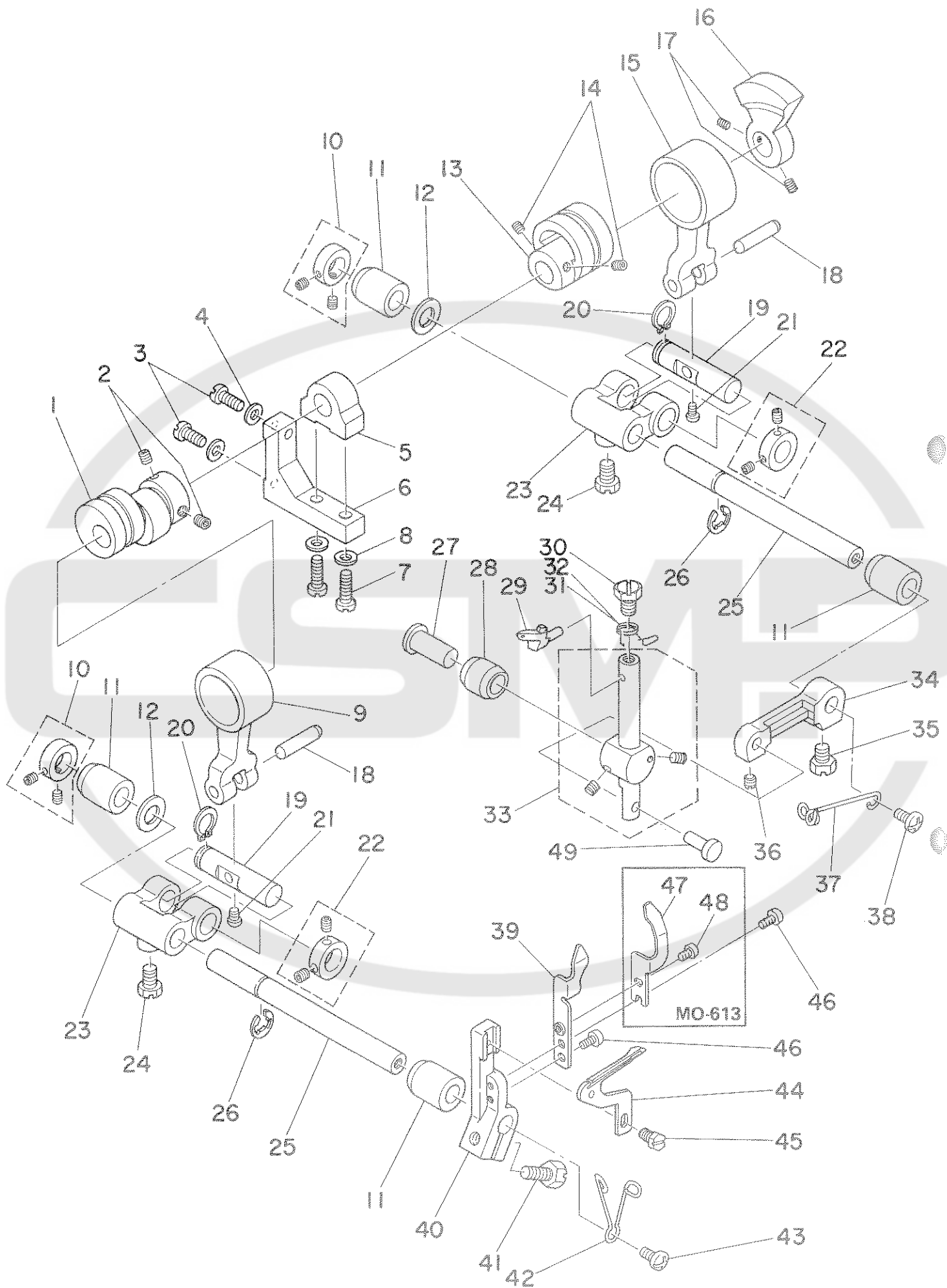
Ref. No.	Note	Part No.	Description	E.C	Amt. Req.
1		A9102-634-000	VINYL COVER		1
2		A9121-634-000	ACCESSORIES BAG WITH ZIPPER		1
3	613	A9150-613-00A	INSTRUCTION MANUAL (ENG. SPA)		1
4	613	A9150-613-00B	INSTRUCTION MANUAL (GAR. FRA. ENG.)		1
5	634/634D	A9150-634-00A	INSTRUCTION MANUAL (ENG. SPA.)		1
6	634/634D	A9150-634-00B	INSTRUCTION MANUAL (GAR. FRA. ENG.)		1
7	634/634D	A1150-570-00A	SPOOL RETAINER		4
8	613	A1150-570-00A	SPOOL RETAINER		3
9		A4145-534-0A0	LOWER KNIFE WITH PACK		1
10		A9103-102-000	SCREW-DRIVER (MEDIUM)		1
11		A9107-102-000	SCREW-DRIVER (SMALL)		1
12		A9109-202-000	TWEEZERS		1
13		A9105-334-000	CLEANING BRUSH		1
14		A9107-202-0A0	NEEDLE THREADER WITH PACK		1
15		A9116-335-000	NET		2
16	613	A9117-503-0A0	NEEDLE SET WITH CASE		1
17	634/634D	A9117-634-0A0	NEEDLE SET WITH CASE		1
18		MHA-100B1-100	NEEDLE HAx1 #11		3
19	613	MHA-100B1-400	NEEDLE HAx1 #14		2
20	634/634D	MJL-200B1-100	NEEDLE JLx2 #11		2
21		A9110-335-000	LOOPER THREADER		1
22		A9104-102-0A0	OILER FEEDER		1
23	OPTION	A1523-634-0C0	BLIND STITCH PRESSER FOOT ASM. SET		—
24	OPTION	A9113-634-0C0	ELASTIC TAPE PRESSER FOOT ASM. SET		—
25	OPTION	A1530-334-DC0	CORDING PRESSER FOOT ASM. SET		—



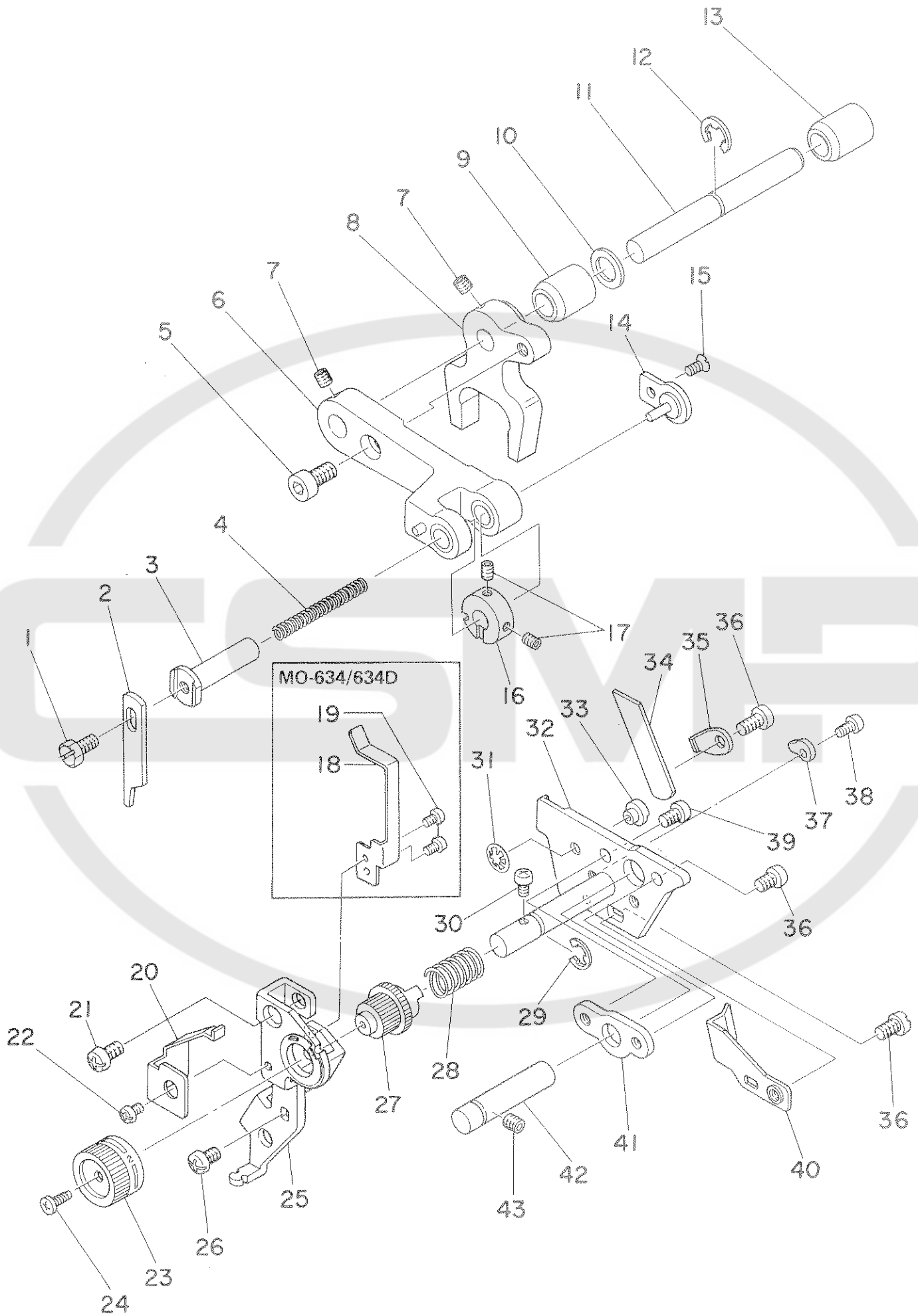
Ref. No.	Note	Part No.	Description	E.C	Amt. Req.
1		A1407-102-000	NEEDLE BAR BUSHING		2
2		SM-8060602-TP	SCREW		1
3		A1403-102-000	CONNECTING PIN		1
4		A1412-535-000	NEEDLE BAR LINK		1
5		A1413-613-000	NEEDLE THREAD TAKE-UP		1
6		SM-4040655-SN	SCREW		1
7		RE-0600000-K0	E-RING		1
8		WP-0820516-SP	WASHER		1
9		A1402-535-000	NEEDLE BAR CRANK		1
10		SM-8040402-TP	SCREW		2
11		A1404-535-000	NEEDLE BAR DRIVING SHAFT		1
12		A1414-502-0A0	THRUST COLLAR ASM.		1
13		A1403-335-000	NEEDLE BAR CRANK ROD		1
14		A1401-535-000A	NEEDLE BAR DRIVING CAM		1
15		SM-8050602-TP	SCREW		2
16		A1503-634-000	PRESSER FOOT ADJ. SCREW		1
17		A1501-535-000	PRESSER SPRING		1
18		A1502-535-000	PRESSER BAR GUIDE BRACKET		1
19		SM-8050402-TP	SCREW		1
20		A1507-535-000	PRESSER BAR		1
21		SM-5040855-SN	SCREW		1
22		A1504-535-0A0	LIFTING LEVER SET PLATE ASM.		1
23		SM-5040855-SN	SCREW		2
24		A1506-503-000	LIFTING LEVER		1
25		RE-0500000-K0	E-RING		1
26	613	A1406-503-0A0	NEEDLE BAR		1
27	613	A1415-335-000	NEEDLE GUIDE PLATE		1
28	613	A1405-513-000	NEEDLE BAR THREAD GUIDE		1
29	613	SM-4850455-SP	SCREW		1
30	613	A1407-303-000	NEEDLE CLAMP		1
31	613	SM-8040402-TP	SCREW		1
32	613	A1409-303-000	NEEDLE SETSCREW		1
33	613	MHA-100B1-100	NEEDLE (HAX1)		1
34	634/634D	A1406-634-0A0	NEEDLE BAR ASM.		1
35	634/634D	A1416-334-000	NEEDLE SETSCREW		2
36	634/634D	A1410-634-000	NEEDLE BAR THREAD GUIDE (B)		1
37	634/634D	SM-4030455-SN	SCREW		1
38	634/634D	A1409-634-000	NEEDLE BAR THREAD GUIDE (A)		1
39	634/634D	MHA-100B1-100	NEEDLE (HAX1)		2
40		A1514-535-0C0	PRESSER FOOT SHANK ASM.		1
41	613	A1501-613-0B0	PRESSER FOOT		1
42	634/634D	A1518-634-0B0	PRESSER FOOT		1
43		SM-4030301-SC	SCREW		1
44		A1550-634-000	TAPE GUIDE PLATE		1
45		A1411-335-000	NEEDLE BAR GUIDE BRACKET		1



Ref. No.	Note	Part No.	Description	E.C	Amt. Req.
1		A1650-534-000	FEED ADJUSTING KNOB		1
2		WZ-0430200-KP	WASHER		1
3		A1652-535-000	FEED ADJUSTING POINTER		1
4		A1628-535-000	FEED ADJUSTING SCALE		1
5		A1623-535-0A0	FEED BASE ARM		1
6		SM-8040302-TP	SCREW		2
7		ST-4861051-SN	TUPING SCREW		1
8		A1626-535-000	FEED BASE SUPPORTING SHAFT		1
9		RE-0500000-K0	E-RING		2
10		A1622-535-000	HORIZONTAL FEED SHAFT		1
11		SM-8040402-TP	SCREW		1
12		A1613-535-000	FEED BASE GUIDE		1
13		SM-4040655-TP	SCREW		1
14	613/634	A1627-503-000	FEED DOG		1
15		SM-4030655-SP	SCREW		2
16		A1625-535-000	FEED BASE ARM		1
17		A1605-550-0A0A	THRUST COLLAR ASM.		1
18		A1616-535-000	HORIZONTAL FEED LINK		1
19		A1651-535-000	FEED ADJUSTING ROD		1
20		A1617-535-000	HORIZONTAL FEED CAM		1
21		SM-8040602-TP	SCREW		2
22		SP-0300142-KH	PIN		1
23		A1629-535-000	VERTICAL FEED CAM		1
24		SM-8040602-TP	SCREW		2
25		A1630-535-000	VERTICAL FEED ADS.		1
26		A1207-503-000	VERTICAL FEED BALANCE WEIGHT		1
27		SM-8040602-TP	SCREW		2
28		A1612-535-000	FEED BASE GUIDE ROD		1
29		SM-8040402-TP	SCREW		1
30	634D	A1671-535-000	DIFFERENTIAL FEED ADJUSTING KNOB		1
31	634D	WZ-0640200-KP	WASHER		1
32	634D	A1672-535-000	DIF. FEED ADJUSTING POINTER		1
33	634D	A1636-535-000	DIF. FEED ARM		1
34	634D	A1634-535-000	DIF. FEED ARM CONECTION SHAFT		1
35	634D	A1673-535-000	DIF. FEED ADJUSTING SHAFT		1
36	634D	A1631-535-000	DIF. FEED ADJUSTING LINK		1
37	634D	SM-8040402-TP	SCREW		1
38	634D	A1620-335-000	DIF. FEED ADJUSTING LINK SHAFT		1
39	634D	A1638-535-000	DIF. FEED SHAFT		1
40	634D	RE-0300000-K0	E-RING		1
41	634D	A1635-535-000	DIF. FEED LINK CONECTION SHAFT		1
42	634D	A1637-535-000	DIF. FEED LINK		1
43	634D	SM-8030302-TP	SCREW		1
44	634D	A1639-535-000	DIF. FEED BASE ARM		1
45	634D	A1648-535-000	DIF. FEED DOG SETTING BASE		1
46	634D	SM-9040700-SP	SCREW		2
47	634D	A1642-634-D00	SUB FEED DOG		1
48	634D	A1627-634-D00	MAIN FEED DOG		1

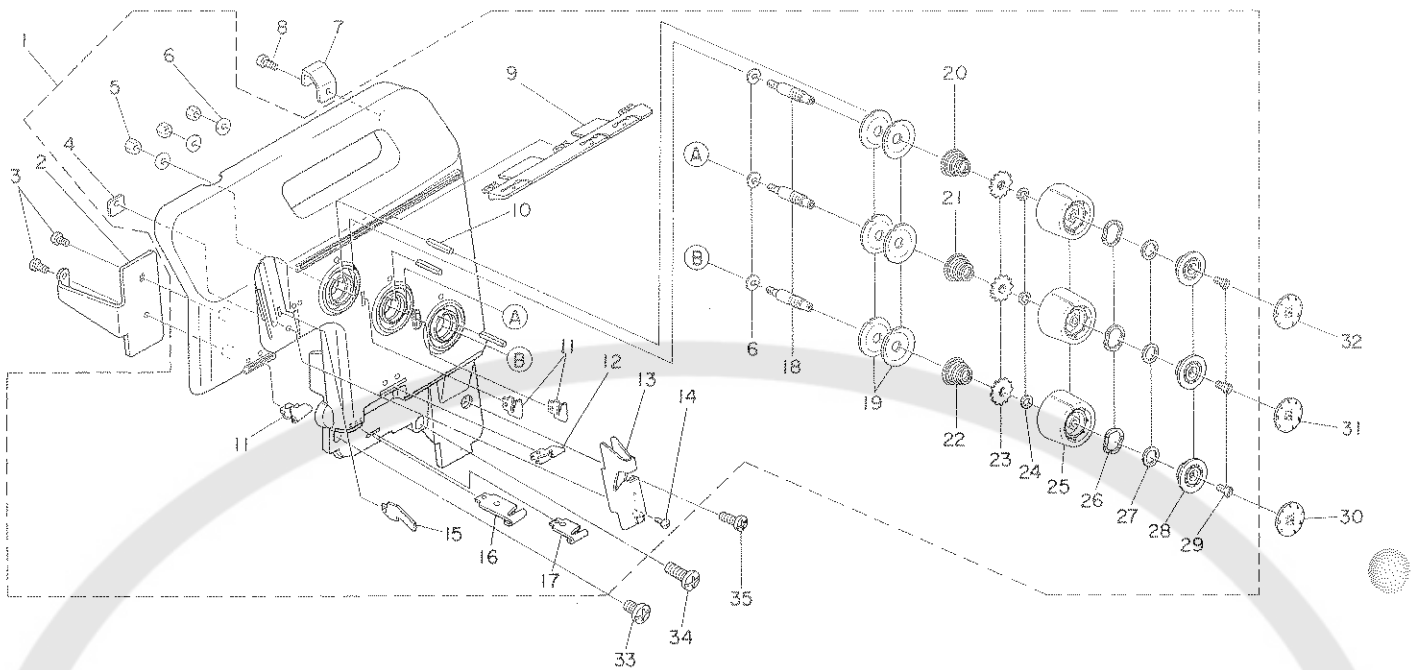


Ref. No.	Note	Part No.	Description	E.C	Amt. Req.
1		A2514-534-000	LOWER LOOPER CAM		1
2		SM-8050602-TP	SCREW		2
3		SM-5041055-SN	SCREW		2
4		WP-0430801-SC	WASHER		2
5		A1210-534-000	MAIN SHAFT HOLDER		1
6		A1211-534-000	MAIN SHAFT HOLDER BRACKET		1
7		SM-5041455-SN	SCREW		2
8		WP-0430801-SC	WASHER		2
9		A2515-534-000	LOWER LOOPER ROD		1
10		A1414-502-0A0	THRUST COLLAR ASM.		1
11		A2112-204-000	BUSHING		2
12		WA-0820516-SP	WASHER		1
13		A2501-534-000	UPPER LOOPER CAM		1
14		SM-8040402-TP	SCREW		2
15		A2502-534-000	UPPER LOOPER ROD		1
16		A2550-534-000	LOOPER BALANCER		1
17		SM-8040402-TP	SCREW		2
18		A2503-534-000	LOOPER ROD SHAFT		1
19		A2504-534-000	LOOPER DRIVING SHAFT		1
20		A2596-534-000	LOOPER DRIVING STOPPER RING		1
21		SM-4030455-SP	SCREW		1
22		A2595-534-0A0	LOOPER DRIVING THRUST COLLAR ASM.		1
23		A2505-534-000	LOOPER DRIVING ARM		1
24		SM-9050850-SP	SCREW		1
25		A2521-534-000	LOOPER SHAFT		1
26		RE-0600000-K0	E-RING		1
27		A2531-534-000	UPPER LOOPER GUIDE SHAFT		1
28		A1675-335-000	BUSHING		1
29		A2512-234-000	UPPER LOOPER		1
30		SM-9050850-SP	SCREW		1
31	613	A2521-513-0A0	UPPER LOOPER THREAD GUIDE		1
32	634/634D	A2522-534-0A0	UPPER LOOPER THREAD GUIDE		1
33		A2530-534-0A0	UPPER LOOPER SLIDE STUD ASM.		1
34		A2510-334-000	UPPER LOOPER OSC. ARM CONNECT		1
35		SM-9050850-SP	SCREW		1
36		SM-8040400-SP	SCREW		1
37		A2519-634-0A0	UPPER LOOPER THREAD TAKE-UP.		1
38		SM-4040655-SN	SCREW		1
39		A2536-535-000	MOVABLE NEEDLE GUARD (BACK)		1
40		A2517-535-000	LOWER LOOPER SUPPORT ARM		1
41		SM-9051400-SN	SCREW		1
42		A2520-634-0A0	LOWER THREAD GUIDE		1
43		SM-4040655-SN	SCREW		1
44		A2526-335-000	LOWER LOOPER		1
45		SM-9030610-SN	SCREW		1
46		SM-4030655-SP	SCREW		1
47	613	A2535-535-000	MOVABLE NEEDLE GUARD (FRONT)		1
48		SM-4030455-SP	SCREW		1
49		A2529-335-000	UPPER LOOPER ARM PIN		1



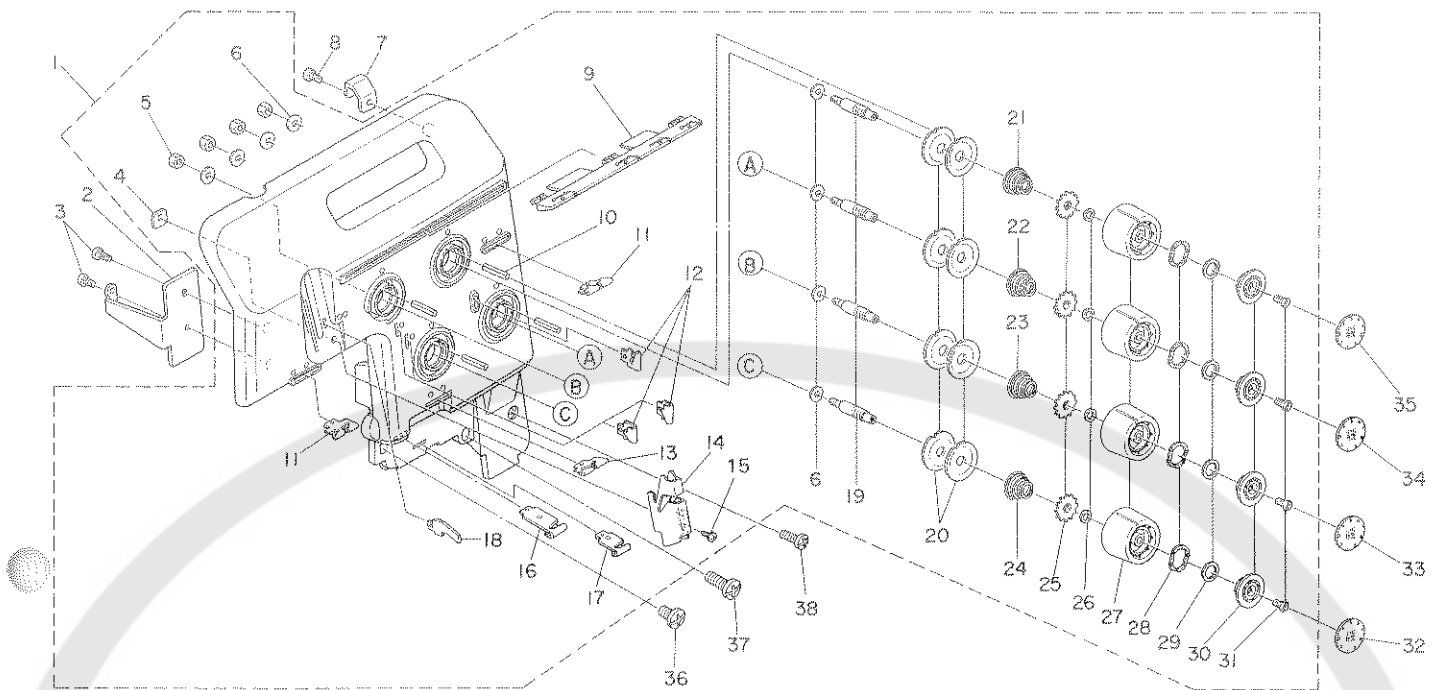
Ref. No.	Note	Part No.	Description	E.C	Amt. Req.
1		SP-9040700-SP	SCREW		1
2		A4142-335-000	UPPER KNIFE		1
3		A4103-535-000	UPPER KNIFE HOLDER		1
4		A4106-535-000	KNIFE PRESSER SPRING		1
5		SM-6051002-TP	SCREW		1
6		A4101-503-0A0	UPPER KNIFE DRIVING ARM		1
7		SM-8040402-TP	SCREW		1
8		A4102-535-000	UPPER KNIFE FORKED ARM		1
9		A2112-204-000	BUSHING		1
10		WP-0820516-SP	WASHER		1
11		A4108-535-000	UPPER KNIFE SHAFT		1
12		RE-0600000-K0	E-RING		1
13		A2112-204-000	BUSHING		1
14		A4107-502-0A0	KNIFE SPRING SUPPORTING PLATE		1
15		SM-1030601-SP	SCREW		1
16		A4105-535-000	UPPER KNIFE TURNING KNOB		1
17		SM-8030402-TP	SCREW		2
18	634/634D	A2535-534-000	NEEDLE SUPPORT		1
19	634/634D	SM-4030655-SP	SCREW		2
20		A4140-535-000	L. KNIFE ADJ. CAM PRESSER SPRING		1
21		SM-4040655-SP	SCREW		1
22		SM-4030455-SP	SCREW		1
23		A4130-535-000	LOWER KNIFE ADJ. KNOB		1
24		ST-5030851-SN	TUPING SCREW		1
25		A4131-535-0A0	LOWER KNIFE ADJ. SUPPORT		1
26		SM-4040655-SN	SCREW		1
27		A4128-535-000	LOWER KNIFE ADJ. CAM		1
28		A4136-335-000	LOWER KNIFE HOLDER SPRING		1
29		RE-0500000-K0	E-RING		1
30		SM-4030601-SN	SCREW		1
31		A3205-555-A00	KNIFE ANGLE ADJ. SUPPORT STOPPER		1
32		A4121-535-0A0	LOWER KNIFE HOLDER ASM.		1
33		A4149-535-000	LOWER KNIFE ANGLE ADJ. SUPPORT		1
34		A4145-335-000	LOWER KNIFE		1
35		A4123-335-000	LOWER KNIFE PRESSER PLATE		1
36		SM-4040655-SN	SCREW		1
37		A4124-335-000	LOWER KNIFE SUPPORTING PLATE		1
38		SM-4030655-SP	SCREW		1
39		SM-4040655-SP	SCREW		1
40		A4147-535-000	CHIP GUARD COVER STOPPER		1
41		A4139-535-000	LOWER KNIFE HOLDER SUPPORT		1
42		A4125-502-000	LOWER KNIFE HOLDER SHAFT		1
43		SM-8040402-TP	SCREW		1

MO-613



Ref. No.	Note	Part No.	Description	E.C	Amt. Req.
1		A3101-613-0A0	FRONT COVER ASM.		1
2		A3154-634-000	FRONT COVER INSTALLATION HOLDER		1
3		ST-5031051-SN	TUPING SCREW		2
4		A3151-535-000	Q-NUT		1
5		NS-6090310-SP	NUT		3
6		WP-0380516-SD	WASHER		6
7		A3158-634-000	FRONT COVER FIX PLATE (A)		1
8		ST-5031051-SN	TUPING SCREW		1
9		A3107-613-0B0	1 ST THREAD GUIDE		1
10		PS-0200202-KH	PIN		3
11		A3110-202-000	THREAD GUIDE		3
12		A3157-535-000	THREAD GUIDE (A)		1
13		A3119-503-000	NEEDLE THREAD TAKE-UP COVER		1
14		SM-5030855-SN	SCREW		1
15		A3130-634-000	LOCK NEEDLE THREAD GUIDE		1
16		A3157-634-0A0	THREAD GUIDE (C) (UP. LOOPER)		1
17		A3157-634-0AA	THREAD GUIDE (D) (LOWER LOOPER)		1
18		A3102-202-000	NEEDLE THREAD TENSION SHAFT		3
19		B3126-352-000	TENSION DISC		6
20		A3104-334-000	UP. LOOP. THREAD TAKE-UP SPRING		1
21		A3160-535-000	NEEDLE THREAD TAKE-UP SPRING		1
22		A3161-535-000	LOWER LOOP. THREAD TAKE-UP SPRING		1
23		A3134-755-000	TENSION NUT		3
24		WP-0510516-SD	WASHER		3
25		A3104-503-000	THREAD ADJUSTING DIAL		3
26		A3106-202-000	WAVED WASHER		3
27		A3120-334-000	WASHER		3
28		A3105-535-000	DIAL PRESSER PLATE		3
29		A3109-534-000	SCREW		3
30		A3113-503-000	GRADUATION SEAL (LOWER LOOPER)		1
31		A3112-503-000	GRADUATION SEAL (UPPER LOOPER)		1
32		A3111-613-000	GRADUATION SEAL (NEEDLE THREAD)		1
33		SM-5040655-SN	SCREW		1
34		SM-5041055-SN	SCREW		1
35		SM-5030855-SN	SCREW		1

MO-634/634D



Ref. No.	Note	Part No.	Description	E.C	Amt. Req.
1		A3101-634-0A0	FRONT COVER ASM.		1
2		A3154-634-000	FRONT COVER INSTALLATION HOLDER		1
3		ST-5031051-SN	TUPING SCREW		2
4		A3151-535-000	Q-NUT		1
5		NS-6090310-SP	NUT		4
6		WP-0380516-SD	WASHER		8
7		A3158-634-000	FRONT COVER FIX PLATE (A)		1
8		ST-5031051-SN	TUPING SCREW		1
9		A3107-634-0B0	1 ST THREAD GUIDE		1
10		PS-0200202-KH	PIN		4
11		A3118-204-000	NEEDLE THREAD GUIDE		2
12		A3110-202-000	THREAD GUIDE (B)		3
13		A3157-535-000	THREAD GUIDE (A)		1
14		A3119-634-0A0	NEEDLE THREAD TAKE-UP COVER		1
15		SM-5030855-SN	SCREW		1
16		A3157-634-0A0	THREAD GUIDE (C) (LOWER LOOPER)		1
17		A3157-634-0AA	THREAD GUIDE (D) (UPPER LOOPER)		1
18		A3130-634-000	LOCK NEEDLE THREAD G		1
19		A3102-202-000	NEEDLE THREAD TENSION SHAFT		4
20		B3126-352-000	TENSION DISC		8
21		A3108-334-000	RIGHT NEEDLE THREAD TAKE-UP SPRING		1
22		A3161-535-000	LOWER LOOPER THREAD TAKE-UP SPRING		1
23		A3508-104-000	LEFT NEEDLE THREAED TAKE-UP SPRING		1
24		A3104-334-000	UP. LOOP. THREAD TAKE-UP SPRING		1
25		A3134-755-000	TENSION NUT		4
26		WP-0510516-SD	WASHER		4
27		A3104-503-000	THREAD ADJUSTING DIAL		4
28		A3106-202-000	WAVED WASHER		4
29		A3120-334-000	WASHER		4
30		A3105-535-000	DIAL PRESSER PLATE		4
31		A3109-534-000	SCREW		4
32		A3112-634-000	GRADUATION SEAL (UPPER LOOPER)		1
33		A3114-634-000	GRADUATION SEAL (LEFT-HAND NEEDLE)		1
34		A3113-634-000	GRADUATION SEAL (LOWER LOOPER)		1
35		A3111-634-000	GRADUATION SEAL (RIGHT-HAND NEEDLE)		1
36		SM-5040655-SN	SCREW		1
37		SM-5041055-SN	SCREW		1
38		SM-5030855-SN	SCREW		1