

MODEL : DDL-8700B-7

List No : 1650-02

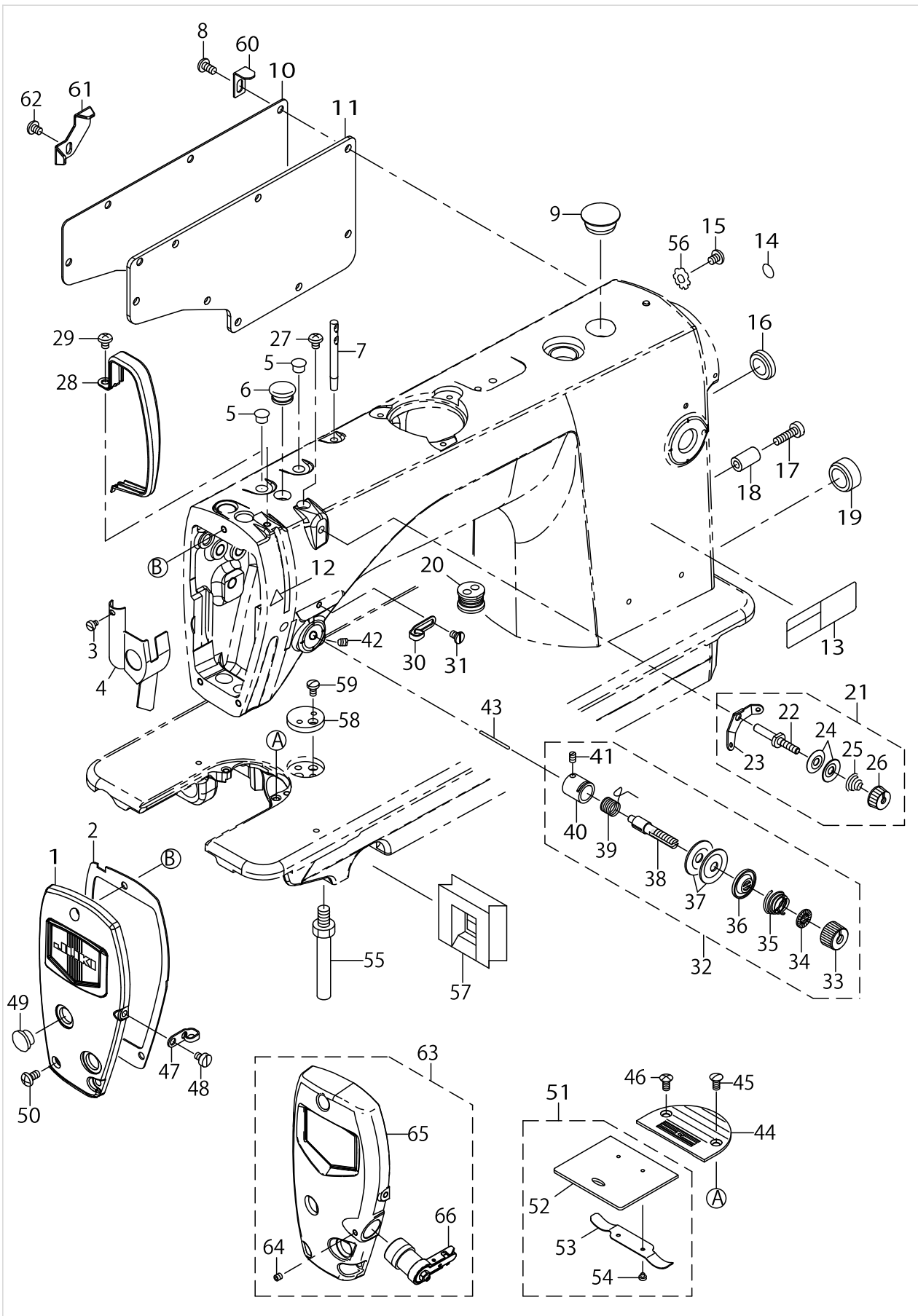
PARTS LIST

Published:01/27/2017

CONTENTS

MACHINE FRAME & MISCELLANEOUS COVER COMPONENTS	1
BOBBIN WINDER COMPONENTS.....	5
MAIN SHAFT & THREAD TAKE-UP LEVER COMPONENTS	7
NEEDLE BAR, UPRIGHT SHAFT & HOOK DRIVING SHAFT COMPONENTS	9
HAND LIFTER COMPONENTS	11
FEED MECHANISM COMPONENTS.....	15
THREAD TRIMMER COMPONENTS	19
AUTOMATIC REVERSE FEED COMPONENTS.....	23
WIPER COMPONENTS.....	25
OIL LUBRICATION COMPONENTS	27
OIL RESERVOIR COMPONENTS	29
PSC UNIT.....	31
THREAD STAND COMPONENTS.....	33
EXCLUSIVE PARTS FOR M,H	35
EXCLUSIVE PARTS FOR J.....	39
LIST FOR INFORMATION OF CHANGE.....	43
HOW TO MAKE USE OF THIS PARTS LIST	44

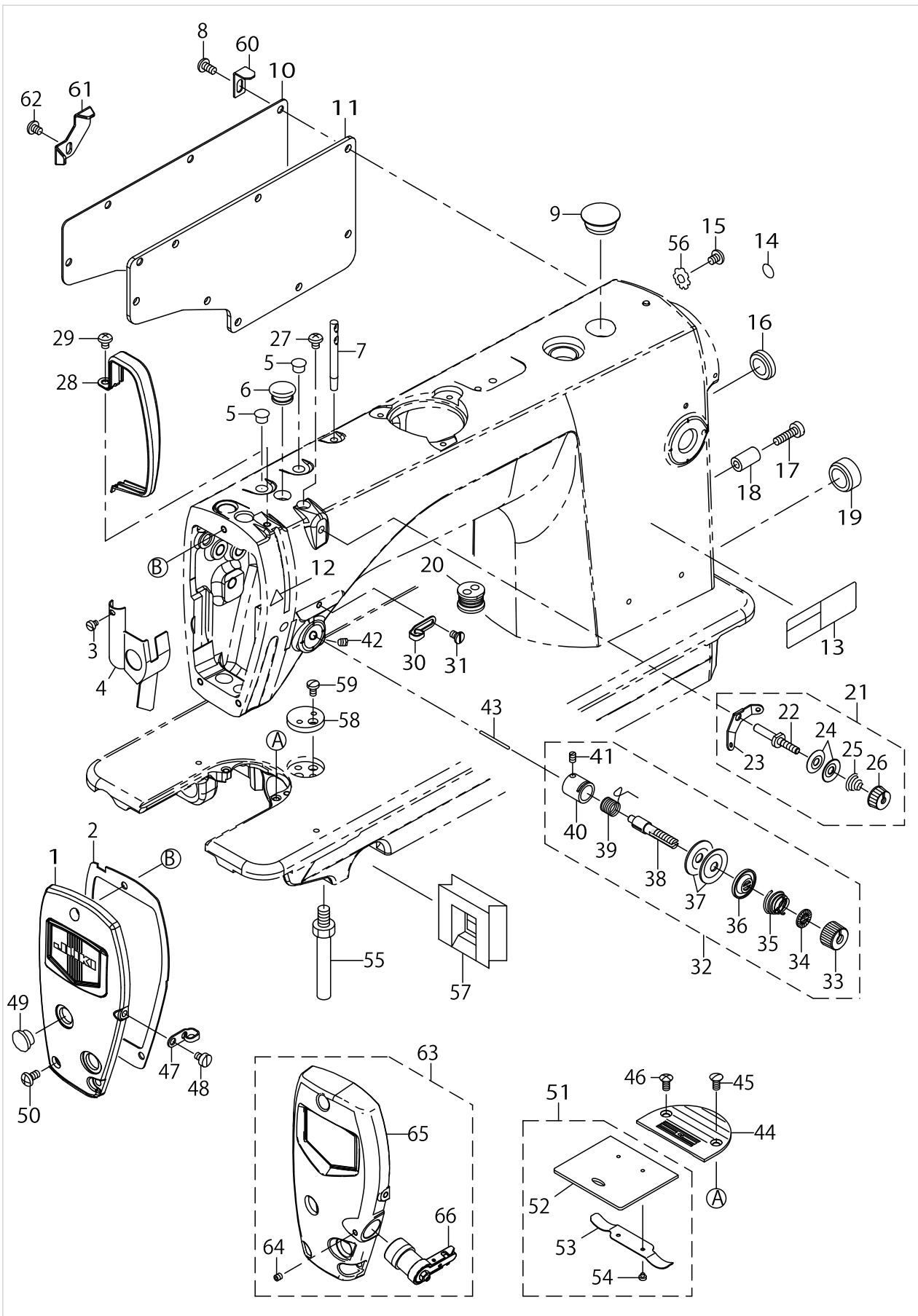
MACHINE FRAME & MISCELLANEOUS COVER COMPONENTS



MACHINE FRAME & MISCELLANEOUS COVER COMPONENTS

No.	Supply Code	Parts No.	Replacement	Parts name	Remarks	Choice	Step	Level	Cons	Qty	Rep. QTY
1		40102097		FACE_PLATE_ASM.						1	
2		40012126		FACE PLATE PACKING						1	
3		SS6080410SP		SCREW 1/8-44 L=4						1	
4		22900757		FACE PLATE OIL SHIELD ASM.						1	
5		TA0850604R0		RUBBER PLUG						2	
6		TA1250705R0		RUBBER PLUG						1	
7		22958300		NEEDLE THREAD GUIDE PIN						1	
8		SS4120925SP		SCREW 3/16-28 L=9						8	
9		TA2100904R0		RUBBER PLUG						1	
10		22900401		WINDOW PLATE						1	
11		40012129		SIDE PLATE PACKING						1	
12		CM300200001		ATTENTION SEAL						2	
13		40102261		SAFETY_LABEL_S						1	
14		22901805		GROUND MARK						1	
15		SS4120615SP		SCREW 3/16-28 L=6						1	
16		TA2000502R0		RUBBER PLUG						1	
17		SS6121840SP		SCREW 3/16-28 L=18						1	
18		22952501		BACK LEVER STOPPER						1	
19		TA2101002R0		RUBBER PLUG						1	
20		40111022		MAGNET CORD RUBBER						1	
21		22945463		THREAD TENSION ASM. NO.1						1	
22		22945414		THREAD TENSION POST				*		1	
23	R	22945604	22963458	THREAD TENSION GUIDE		選択		*		1	1.00
23	R	22945604	22945463	THREAD TENSION GUIDE		選択	DDL8700H-7,8700J-7-7,DLN6390--7,DDL-9000B	*		1	1.00
24		22945802		THREAD TENSION DISK				*		2	
25		22945505		THREAD TENSION SPRING				*		1	
26		22945703		THREAD TENSION NUT				*		1	
27		SS4120615SP		SCREW 3/16-28 L=6						1	
28		22900609		THREAD TAKE-UP LEVER COVER						1	
29		SS4120615SP		SCREW 3/16-28 L=6						1	
30		22920508		ARMTHREADGUIDEA						1	
31		22921001		SCREW						1	
32		22945356		THREAD TENSION ASM.						1	
33		22921308		THREAD TENSION NUT				*		1	
34		22921407		ROTATION STOPPER				*		1	
35		22921704		THREAD TENSION SPRING A				*		1	
36		22921803		DISK STOPPER				*		1	
37		22921506		THREAD TENSION DISK				*		2	
38		22921209		THREAD TENSION POST				*		1	
39		22921605		THREAD TAKE-UP SPRING				*		1	
40		22945307		THREAD TENSION POST BASE				*		1	
41		SS8090670SP		SCREW 9/64-40 L=5.5				*		1	
42		SS8150710TP		SCREW 15/64-28 L=7						1	
43		22920904		TENSION RELEASING						1	
44		B1109552000		THROAT PLATE						1	

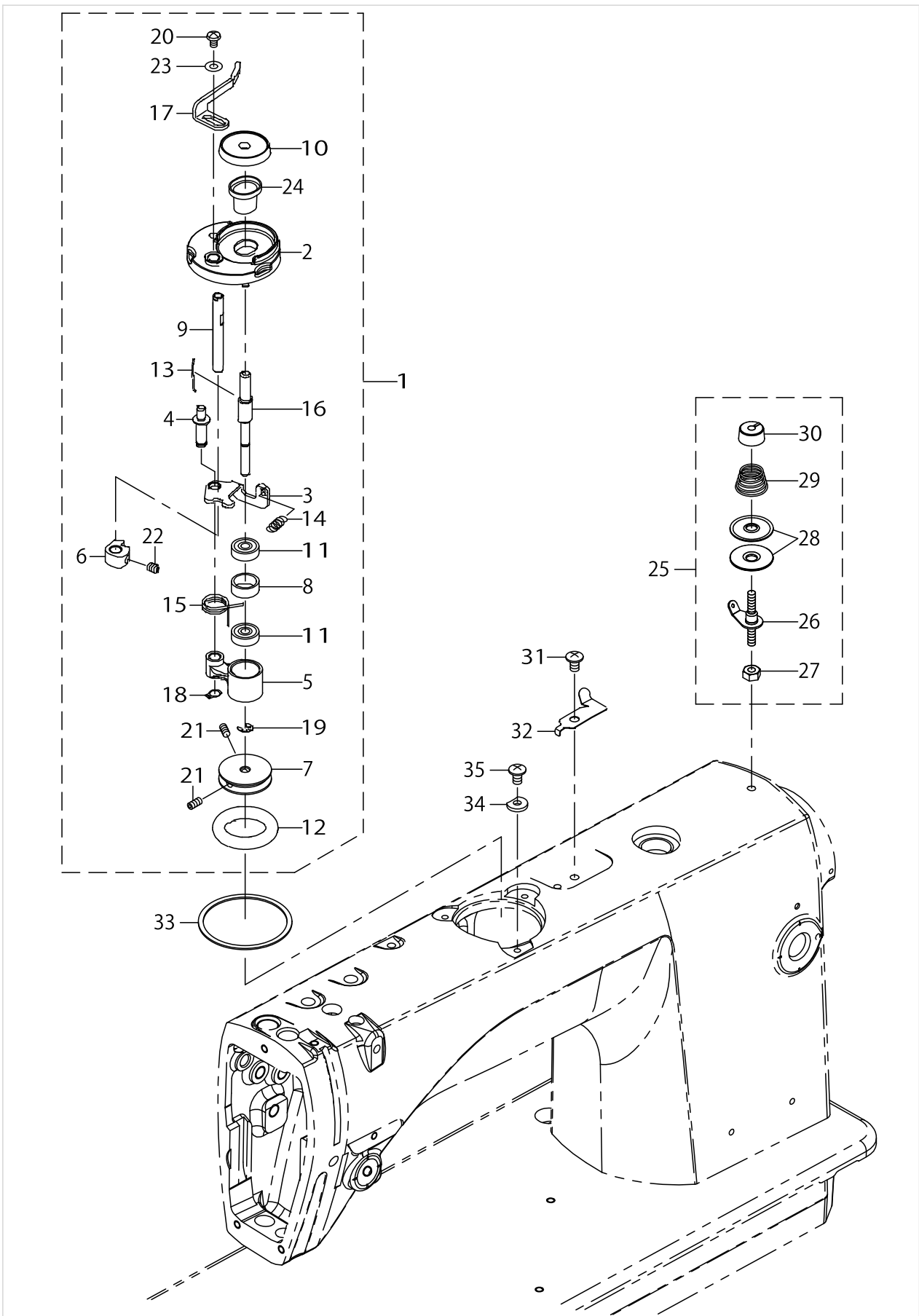
MACHINE FRAME & MISCELLANEOUS COVER COMPONENTS



MACHINE FRAME & MISCELLANEOUS COVER COMPONENTS

No.	Supply Code	Parts No.	Replacement	Parts name	Remarks	Choice	Step	Level	Cons	Qty	Rep. QTY
45		SS2110920TP		SCREW 11/64-40 L=8.5						1	
46		SS2110915SP		SCREW 11/64-40 L=8.5						1	
47		22920607		ARMTHREADGUIDEB						1	
48		SS6110610TP		SCREW 11/64-40 L=6						1	
49		TA1250406R0		RUBBER PLUG D=12.5 L=4						2	
50		SS4120925SP		SCREW 3/16-28 L=9						3	
51		22901250		SLIDE PLATE ASM.						1	
52	R	22901201	22901250	SLIDE PLATE				*		1	1.00
53		22901300		SLIDE PLATE SPRING				*		1	
54		SS6060210SP		SCREW 3/32-56 L=1.9				*		2	
55		22901003		BED SCREW STUD						4	
56		WT0530002KS		TOOTHED WASHER D=5.3						1	
57		22935407		BED OIL SHIELD RUBBER						1	
58		40099083		RULER STOP SEAT						1	
59		SS7110720SP		SCREW 11/64-40 L=7						2	
60		40126308		CORD_CLAMP						1	
61		40111896		CORD_CLAMP						1	
62		SS4120615SP		SCREW 3/16-28 L=6						1	
63		40140080		FACE_PLATE_ASSY	FOR N					1	
64		SM8040402TP		SCREW M4X0.7 L=4				*		1	
65		40139752		FACE_PLATE				*		1	
66	R	40139786	40140080	THREAD_NIPPER_ASSY				*		1	1.00

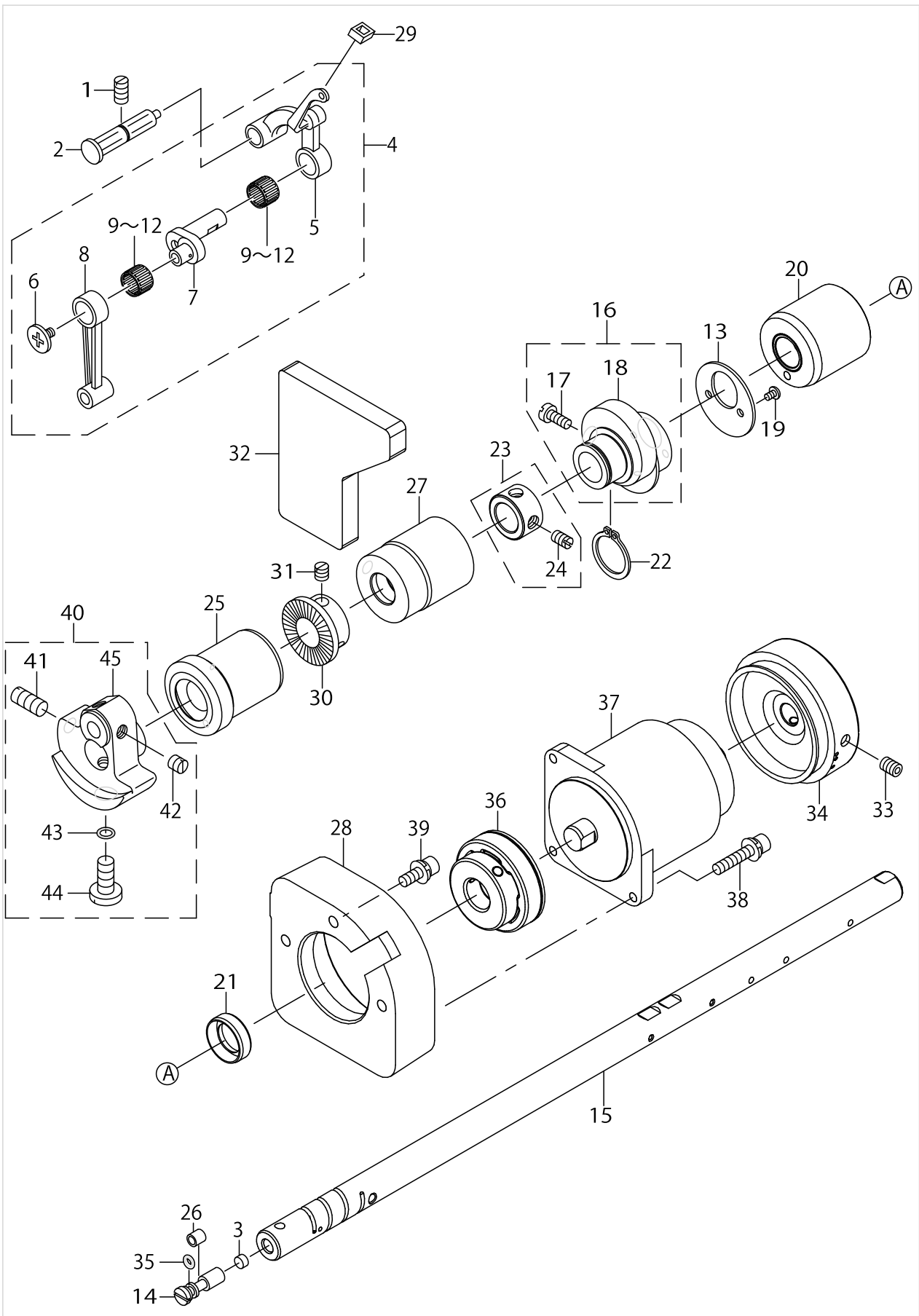
BOBBIN WINDER COMPONENTS



BOBBIN WINDER COMPONENTS

No.	Supply Code	Parts No.	Replacement	Parts name	Remarks	Choice	Step	Level	Cons	Qty	Rep. QTY
1		40110976		BOBBIN_WINDER_UNIT						1	
2	R	26260109	26260000	BTW_BASE				*		1	1.00
3		26260208		BTW_CAM_PLATE				*		1	
4		26260307		BTW_BASE_SHAFT				*		1	
5		26260406		BTW_SHAFT_BASE				*		1	
6		26260505		BTW_CAM_LEVER				*		1	
7		26260604		BTW_WHEEL				*		1	
8	R	26260802	26260000	BTW_BEARING_SPACER				*		1	1.00
9		26261008		BTW_LEVER_SHAFT				*		1	
10		26261206		BTW_SPACER				*		1	
11	R	26261305	26260000	BTW_BEARING				*		2	1.00
12		26261503		BTW_WHEEL_RUBBER				*		1	
13		26261602		BOBBIN_SPRING				*		1	
14		26261701		BTW_SPRING				*		1	
15		40011144		BTW_TORSION_SPRING				*		1	
16		40110975		BTW_SHAFT				*		1	
17		40021933		BTW_LEVER				*		1	
18		RC0560711KP		RETAINING RING				*		1	
19		RE0400000K0		E-RING 4				*		1	
20		SM5040655SN		SCREW				*		1	
21		SM8040802TP		SCREW M4X8				*		2	
22		SM8050502TP		SCREW M5 L=5				*		1	
23		WP0450826SC		WASHER 4.5X10X0.8				*		1	
24		40119475		OIL_GUARD				*		1	
25		40110731		BOBBIN_THREAD_TENSION_ASSY						1	
26		40110734		BOBBIN_THREAD_ROD_ASSY				*		1	
27		NS6120630SP		NUT 3/16-28				*		1	
28		22921506		THREAD TENSION DISK				*		2	
29		D7133555B00		CONNECTING ROD SPRING				*		1	
30		22945703		THREAD TENSION NUT				*		1	
31		SM0050801SC		SCREW						1	
32		40037008		THREAD_CUTTER						1	
33		22538706		PACKING						1	
34		40113241		BTW_SPACER						3	
35		SM0050801SC		SCREW						3	

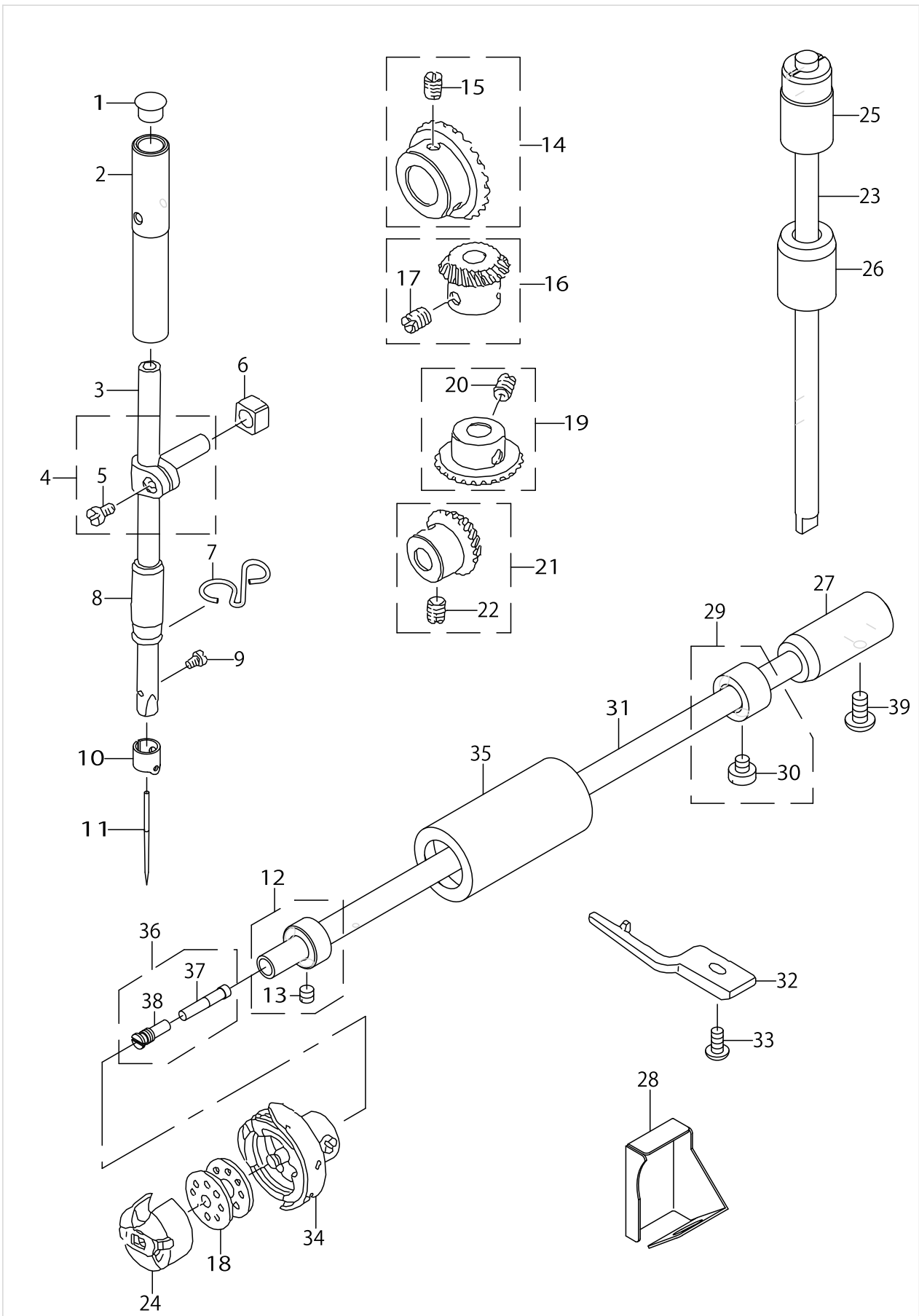
MAIN SHAFT & THREAD TAKE-UP LEVER COMPONENTS



MAIN SHAFT & THREAD TAKE-UP LEVER COMPONENTS

No.	Supply Code	Parts No.	Replacement	Parts name	Remarks	Choice	Step	Level	Cons	Qty	Rep. QTY
1		SS8151150TP		SCREW 15/64-28 L=10.5						1	
2		22919559		THREAD TAKE-UP CRANK SHAFT ASM.						1	
3		11002904		ROLLER FELT						1	
4		22918072		THREAD TAKE-UP LEVER COMPL.						1	
5	R	22918064	22918072	THREAD TAKE-UP LEVER ASM.				*		1	1.00
6	R	22918304	B1903552000	LEFT SCREW				*		1	1.00
7		22918106		NEEDLE BAR CRANK				*		1	
8		22906606		NEEDLE BAR CRANK ROD				*		1	
9		22918403		NEEDLE BEARING A	SELECTIVE PARTS			*		2	
10		22918502		NEEDLE BEARING B	SELECTIVE PARTS			*		2	
11		22918601		NEEDLE BEARING C	SELECTIVE PARTS			*		2	
12		22918700		NEEDLE BEARING D	SELECTIVE PARTS			*		2	
13		22910103		THRUST COLLAR						1	
14		22903900		ADJUSTING PIN						1	
15		40110977		MAIN_SHAFT						1	
16		22910053		FEED DRIVE ECCEN-TRIC CAM ASM.						1	
17		SS6661110SP		SCREW 1/4-40 L=11				*		2	
18	R	22910004	22910053	FEED DRIVE ECCENTRIC CAM				*		1	1.00
19		SS4090615SP		SCREW 9/64-40 L=6						2	
20		40110978		MAIN_SHAFT_BUSHING						1	
21		40086740		OIL SEAL						1	
22		RC1850001KP		SNAP RING 18.5						1	
23		40137504		THRUST_COLLAR_ASM						1	
24		SS8660610TP		SCREW 1/4-40 L=6				*		2	
25		22903207		MAIN SHAFT BUSHING FRONT						1	
26		B1215552000		OIL ADJUSTING COLLAR						1	
27		22903306		BUSHING INTERMEDIATE						1	
28		40110979		MAIN_MOTOR_BASE_76						1	
29		22919203		OIL PROTECTING RUBBER						1	
30	R	22538805	22538854	DRIVING WHEEL						1	1.00
31		SS8660610TP		SCREW 1/4-40 L=6						2	
32		40111424		FILTER						1	
33		SM80608A2TP		SCREW M6 L=8						2	
34		40111872		HAND_PULLEY						1	
35		RO029180100		RUBBER RING						1	
36		40111025		COUPLING_ASM.						1	
37		40140419		SERVO MOTOR						1	
38		SL6052592TN		BOLT						3	
39		SL6051492TN		BOLT						3	
40		40110390		COUNTER_WEIGHT_ASM.						1	
41		SS8681650TP		SCREW 9/32-28 L=16				*		1	
42		SS8660610TP		SCREW 1/4-40 L=6				*		2	
43		RO044240100		RUBBER RING				*		1	
44		SS7681650TP		SCREW 9/32-28 L=16				*		1	
45		40110376		COUNTER_WEIGHT				*		1	

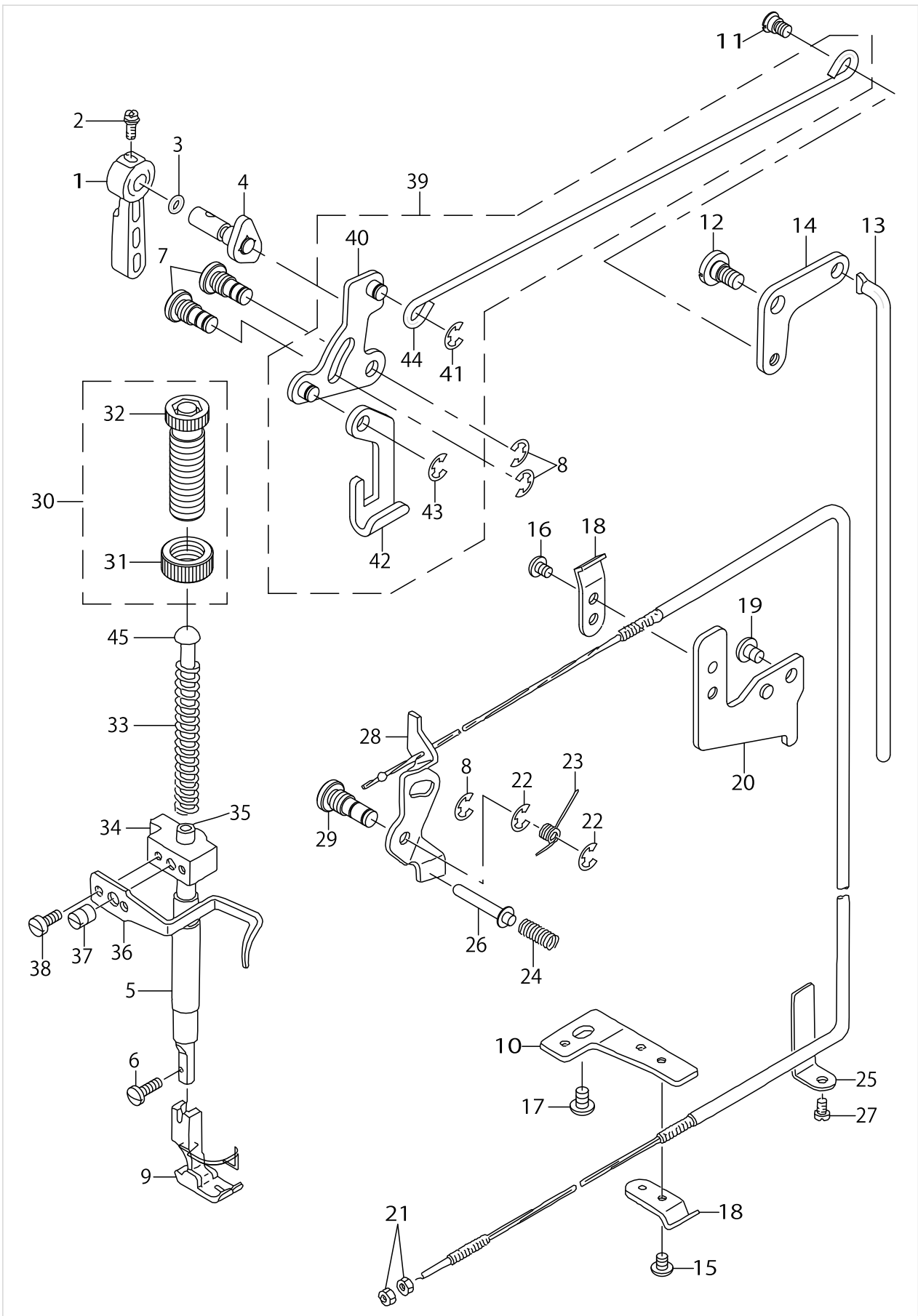
NEEDLE BAR, UPRIGHT SHAFT & HOOK DRIVING SHAFT COMPONENTS



NEEDLE BAR, UPRIGHT SHAFT & HOOK DRIVING SHAFT COMPONENTS

No.	Supply Code	Parts No.	Replacement	Parts name	Remarks	Choice	Step	Level	Cons	Qty	Rep. QTY
1		TA0850604R0		RUBBER PLUG						1	
2		22906101		NEEDLE BAR BUSHING UPPER						1	
3		22939508		NEEDLE BAR						1	
4		22906457		NEEDLE BAR HOLDER ASM.						1	
5		SS6090670TP		SCREW 9/64-40 L=6				*		1	
6		40090058		SLIDE BLOCK						1	
7		40141523		NEEDLE BAR THREAD GUIDE P						1	
8		22906200		NEEDLE BAR BUSHING LOWER						1	
9		SS7080510TP		SCREW 1/8-44 L=4.5						1	
10		22906309		NEEDLE BAR THREAD GUIDE						1	
11		MDB100B1400		NEEDLE DBX1 #14						1	
12		22917058		THRUST COLLAR ASM. FRONT						1	
13		SS8110410TP		SCREW 11/64-40 L= 3.5				*		2	
14		40090002		UPPER LARGE BEVEL GEAR ASM.						1	
15		SS8660810TP		SCREW 1/4-40 L=8				*		2	
16		40090003		UPPER SMALL BEVEL GEAR ASM.						1	
17		SS8660810TP		SCREW 1/4-40 L=8				*		2	
18		22932909		BOBBIN						1	
19		40090004		LOWER LARGE BEVEL GEAR ASM.						1	
20		SS8660810TP		SCREW 1/4-40 L=8				*		2	
21		40090005		LOWER SMALL BEVEL GEAR ASM.						1	
22		SS8660810TP		SCREW 1/4-40 L=8				*		2	
23		22905004		UPRIGHT SHAFT						1	
24		11038759		BOBBIN CASE ASM.						1	
25		22905103		UPRIGHT SHAFT BUSHING UPPER						1	
26		22905202		UPRIGHT SHAFT BUSHING LOWER						1	
27		22916308		HOOK DRIVING SH- AFT BUSH REAR						1	
28		22942601		OIL SHIELD						1	
29		22917157		THRUST COLLAR ASM. REAR						1	
30		SS6110420TP		SCREW 11/64-40 L=4.8				*		2	
31		22916001		HOOK DRIVING SHAFT						1	
32		22942502		INNER HOOK PRESSER						1	
33		SS4110915TP		SCREW 11/64-40 L=9						1	
34		11038650		HOOK ASM.						1	
35		22916100		HOOK DRIVING SH- AFT BUSH FRONT						1	
36		22916555		OILSEALSCREWASM.						1	
37		11015906		OIL WICK				*		1	
38		22916506		SET SCREW				*		1	
39		SS4120925SP		SCREW 3/16-28 L=9						1	

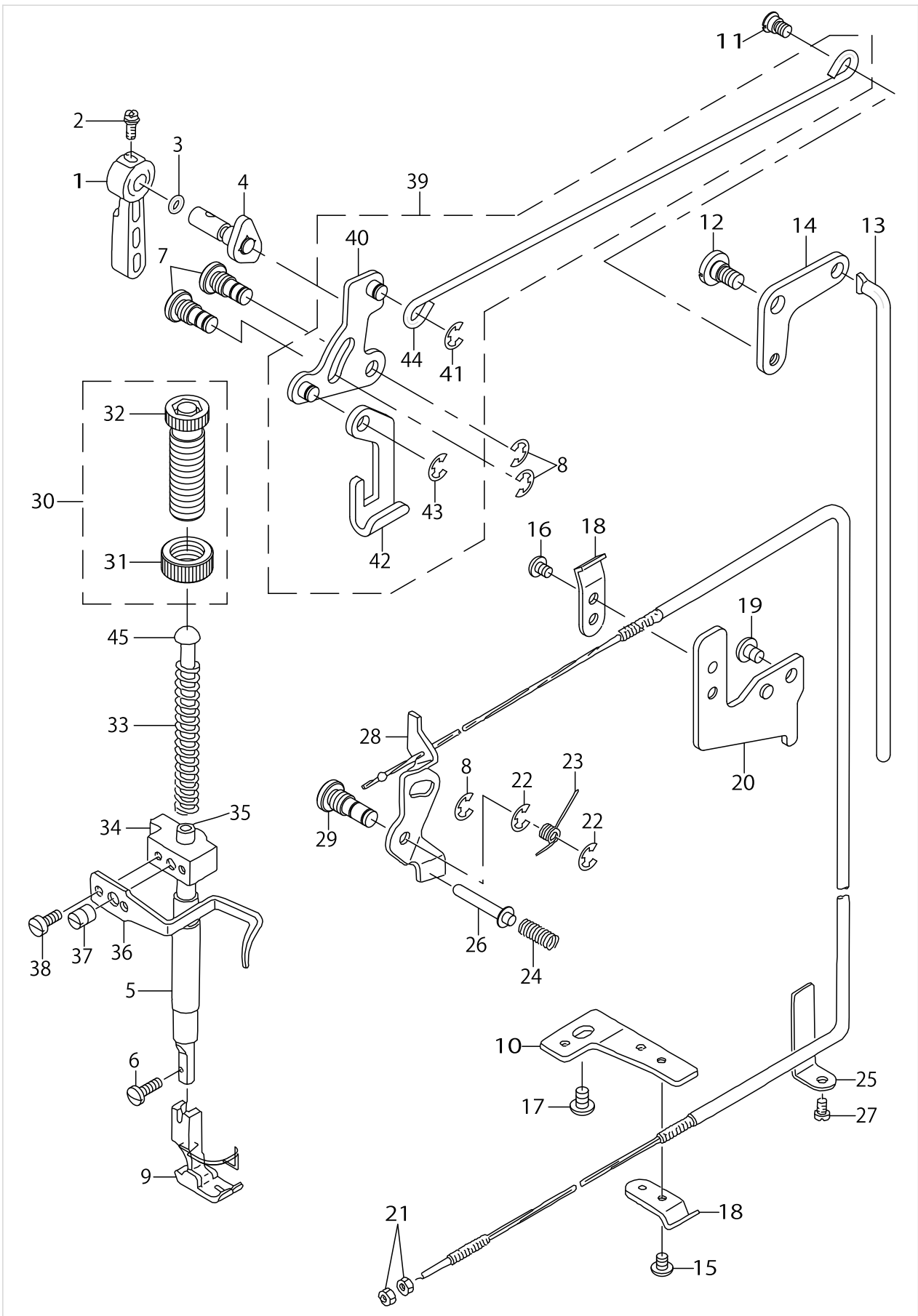
HAND LIFTER COMPONENTS



HAND LIFTER COMPONENTS

No.	Supply Code	Parts No.	Replacement	Parts name	Remarks	Choice	Step	Level	Cons	Qty	Rep. QTY
1		22907802		HAND LIFTER						1	
2		B1521555000		SCREW						1	
3		RO037180100		RUBBER RING						1	
4		22908552		HAND LIFTER CAM ASM.						1	
5		40060989		PRESSER BAR BUSHING LOWER						1	
6		SS7091110TP		SCREW 9/64-40 L=10.5						1	
7		22908701		LINK SHAFT						2	
8		RE0500000K0		E-RING						3	
9		B15240120BA		PRESSER FOOT ASM.						1	
10		22944706		WIRE PRESSER BASE LOWER						1	
11		22908909		HINGE SCREW						1	
12		SD0720331SP		HINGE SCREW D= 7.24 H= 3.3						1	
13		22909006		KNEE LIFTER CONNECTING ROD						1	
14		22908800		KNEE LIFTER LINK						1	
15		SS4110515SP		SCREW 11/64-40 L=5						1	
16		SS4110515SP		SCREW 11/64-40 L=5						1	
17		SS4150915SP		SCREW 15/64-28 L=9						1	
18		22944508		WIRE PRESSER A						2	
19		SS4120615SP		SCREW 3/16-28 L=6						1	
20		22944607		WIRE PRESSER BASE UPPER						1	
21		NS6620310SP		NUT 3/16-32						2	
22		RE0500000K0		E-RING						2	
23		22920201		RETURN SPRING						1	
24		22920409		THREAD RELEASE PIN SPRING						1	
25		22945109		WIRE CABLE SUPPORT						1	
26		22920300		THREAD RELEASE SUPPORTING PIN						1	
27		SS4120615SP		SCREW 3/16-28 L=6						1	
28		22944854		THREAD RELEASE WIRE ASM.						1	
29		22920102		TENSION RELEASE SHAFT						1	
30		22907554		PRESSER SPRING REGULATOR ASM.¥n						1	
31	R	22907604	22907554	PRESSER SPRING REGULATOR NUT					*	1	1.00
32	R	22907505	22907554	PRESSER SPRING REGULATOR					*	1	1.00
33		22907406		PRESSER SPRING						1	
34		40098388		PRESSER BAR GUIDE BRACKET						1	
35		40017805		PRESSER BAR						1	
36		22907307		THREAD GUIDE	EXCEPT H					1	
37		SS8660810TP		SCREW 1/4-40 L=8						1	
38		SS6090910SP		SCREW 9/64-40 L=9						2	
39		22908354		KNEE LIFTING CROSS ROD ASM.						1	
40	R	22908156	22908354	LIFTING LINK ASM.					*	1	1.00
41		RE0500000K0		E-RING					*	1	
42	R	22908008	23609357	LIFTING PLATE		選択	DDL-9000A 9000B		*	1	1.00
42	R	22908008	40057398	LIFTING PLATE		選択	LH-3500		*	1	1.00
42	R	22908008	40174387	LIFTING PLATE		選択	DDL-9000C		*	1	1.00

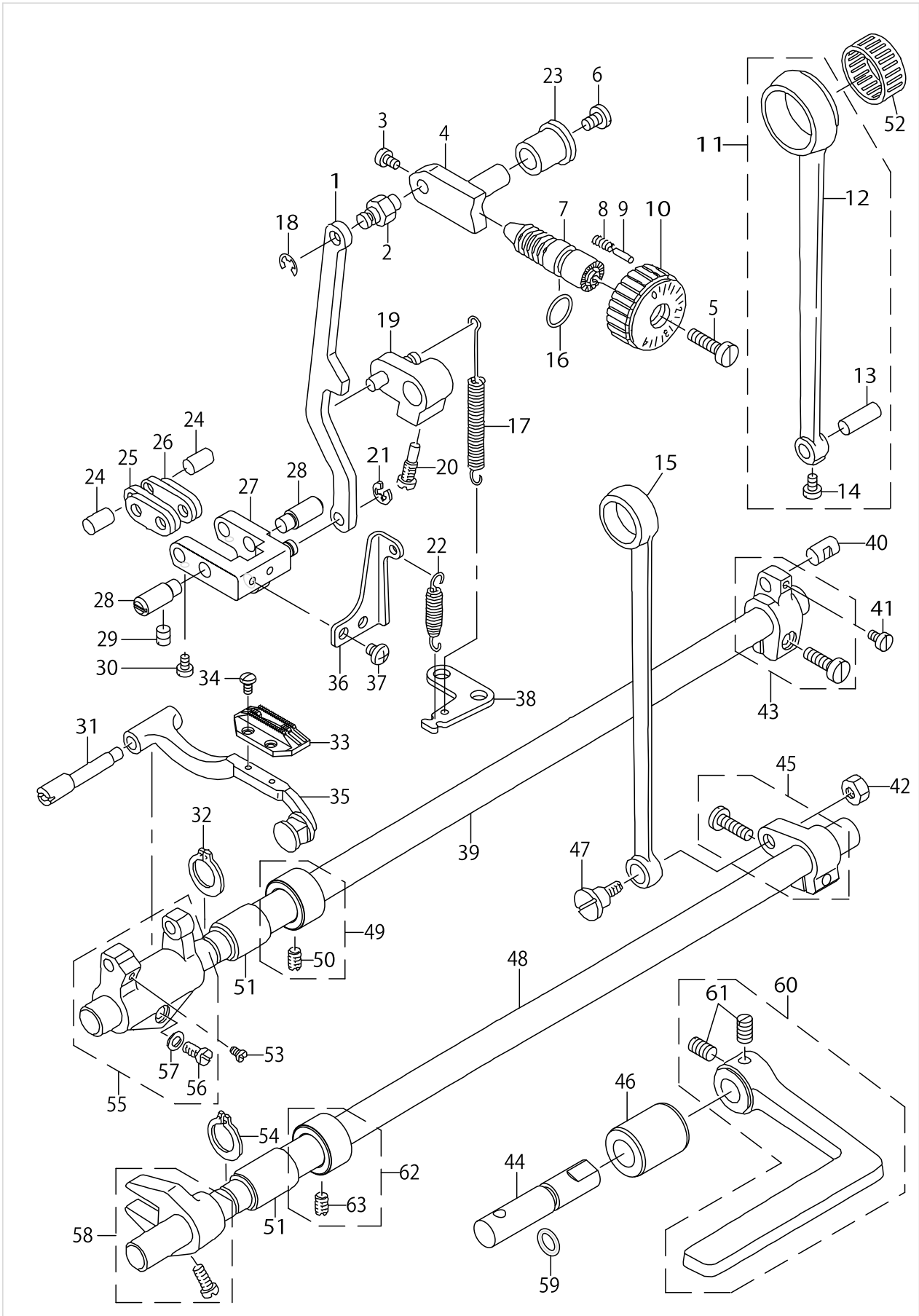
HAND LIFTER COMPONENTS



HAND LIFTER COMPONENTS

No.	Supply Code	Parts No.	Replacement	Parts name	Remarks	Choice	Step	Level	Cons	Qty	Rep. QTY
42	R	22908008	22908354	LIFTING PLATE		選択	DDL-5550 5550N 555- 0N-7 5556- N-7 5600NL-7	*		1	1.00
43		RE0500000K0		E-RING				*		1	
44		22908305		KNEE LIFTER SIDE ROD				*		1	
45		22907703		PRESSER GUIDE BAR				*		1	

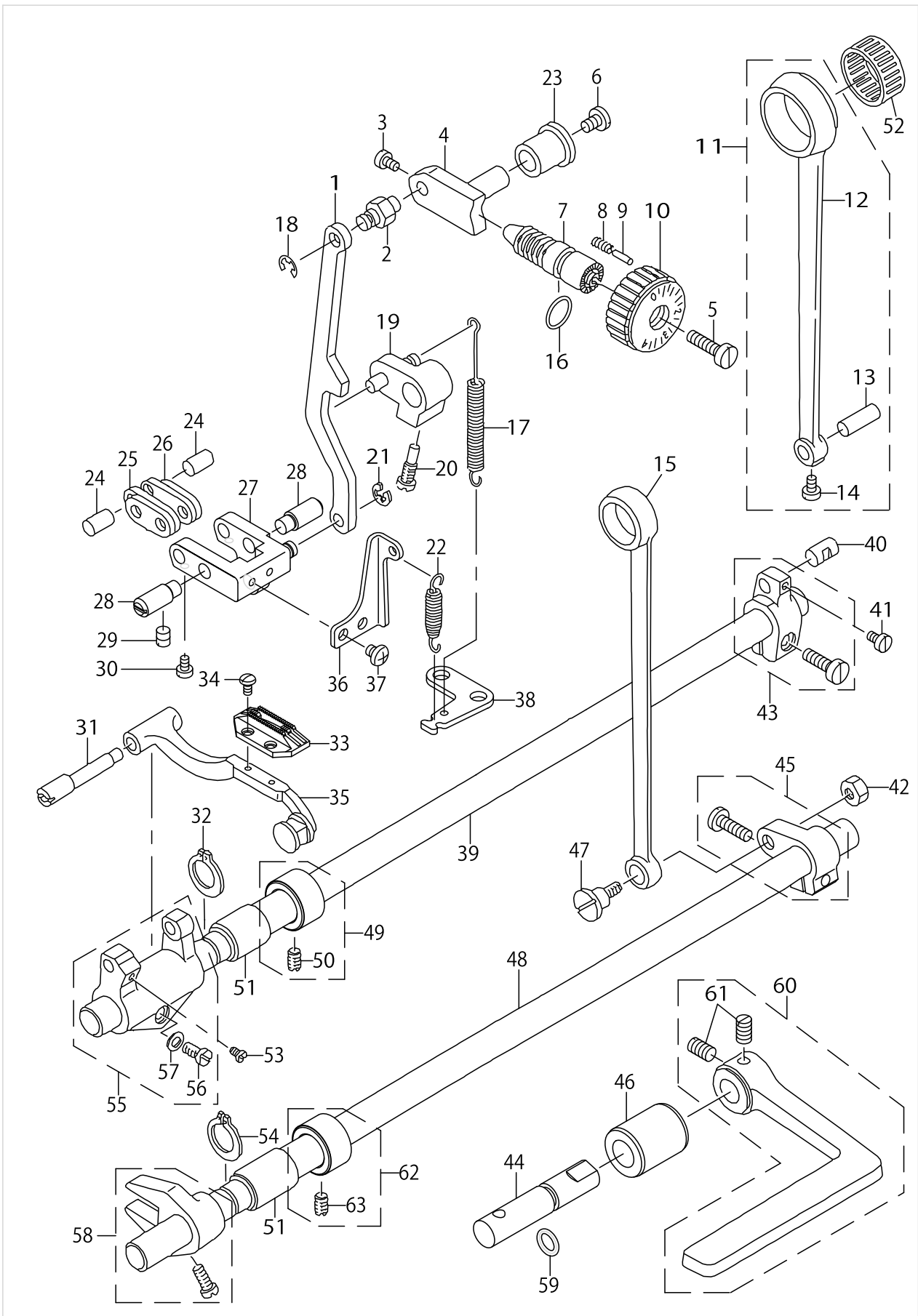
FEED MECHANISM COMPONENTS



FEED MECHANISM COMPONENTS

No.	Supply Code	Parts No.	Replacement	Parts name	Remarks	Choice	Step	Level	Cons	Qty	Rep. QTY
1		22941108		FEED ADJUST ROD						1	
2		22911507		WALKING FOOT PIN C	EXCEPT H					1	
3		SS6090670TP		SCREW 9/64-40 L=6						2	
4		22911606		FEED REGULATOR						1	
5		SS6121860SP		SCREW 3/16-28 L=18						1	
6		SS7120770SH		SCREW 3/16-28 L=7						1	
7		22911804		FEED REGULATOR SCREW						1	
8		22912109		FEED REGULATOR PIN SPRING						1	
9		22912000		FEED REGULATOR PIN						1	
10		22940506		FEED DIAL						1	
11		22910251		CONNECTING ROD ASM.						1	
12	R	22910202	22910251	ROCKER SHAFT CO- NNECTING ROD				*		1	1.00
13		22911101		WALKING FOOT PIN C				*		1	
14		SS6090620TP		SCREW				*		1	
15		22915003		CONNECTING ROD						1	
16		RO092270200		RUBBER RING						1	
17		11010311		LEVER SPRING						1	
18		RE0500000K0		E-RING						1	
19		22912257		FEED REVERSE ARM ASM.						1	
20		22912505		FEED REVERSE ARM SCREW						1	
21		RE0500000K0		E-RING						1	
22		11037405		SPRING	EXCEPT H					1	
23		11009800		FEED REGULATOR BUSHING						1	
24		22910905		WALKING FOOT PIN A						2	
25		40089548		CONNECTING LINK B						2	
26		40093417		CONNECTING LINK A						2	
27		22940951		FEED ADJUST LINK ASM.						1	
28		22910806		ADJUST LINK FULCRUM SHAFT A						2	
29		SS8150710TP		SCREW 15/64-28 L=7						2	
30		SS6090620TP		SCREW						2	
31		40101462		FEED BASE SHAFT						1	
32		RC0150001KP		RETAINING RING 13.8						1	
33		B1613012I00		FEED DOG I						1	
34		SS4080620TP		SCREW 1/8-44 L=6						2	
35		22940753		FEED BAR ASM.						1	
36		22941306		REGULATOR LINK SPRING HOOK						1	
37		SS4110515SP		SCREW 11/64-40 L=5						2	
38		22913701		FEED SPRING HOOK	EXCEPT H					1	
39		40102124		FEEDROCKERSHAFT						1	
40		22911002		WALKING FOOT PIN B						1	
41		SS6090620TP		SCREW						1	
42		NS6680410SP		NUT 9/32-28						1	
43		40110379		ASSY_FEED_ROCKER_ARM						1	
44		40100812		FEED LEVER SHAFT						1	
45		40109422		FEED_ARM_ASM						1	
46		22912802		FEED LEVER SHAFT BUSHING						1	

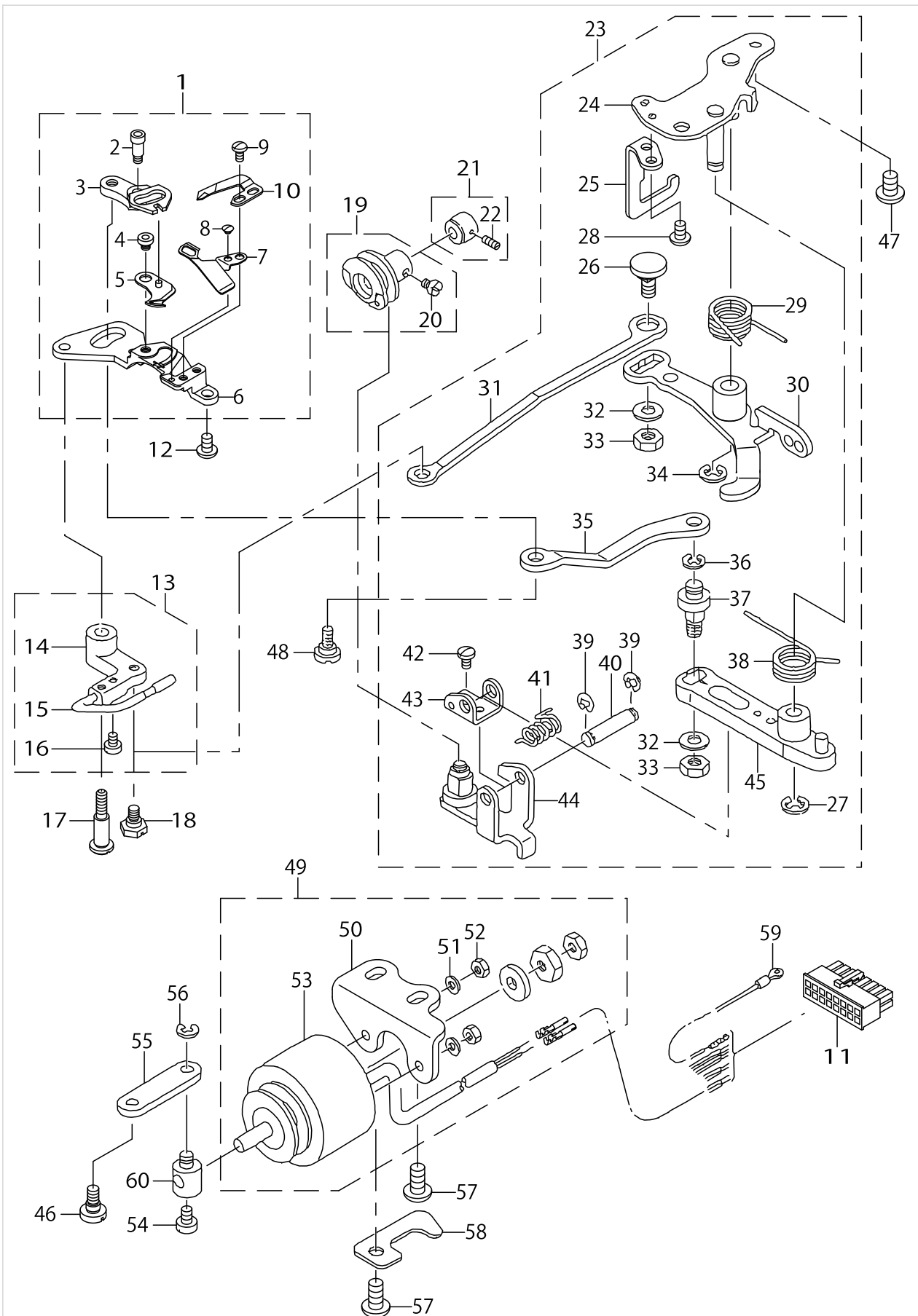
FEED MECHANISM COMPONENTS



FEED MECHANISM COMPONENTS

No.	Supply Code	Parts No.	Replacement	Parts name	Remarks	Choice	Step	Level	Cons	Qty	Rep. QTY
47		SD1000801SH		HINGE SCREW D=10 H=8						1	
48		22915201		FEED DRIVING SHAFT						1	
49		40137504		THRUST_COLLAR_ASM						1	
50		SS8660610TP		SCREW 1/4-40 L=6				*		2	
51		22913008		FEED ROCKER SHAFT BUSHING						2	
52		40111897		BEARING						1	
53		SS7110740TP		SCREW 11/64-40 L=7						1	
54		RC0150001KP		RETAINING RING 13.8						1	
55		22940654		FEED ROCKER ASM.						1	
56		SS7121410TP		SCREW 3/16-28 L=14				*		1	
57		WP0480856SP		WASHER 4.8X8.4X0.8				*		1	
58		22915359		DRIVING SHAFT CRANK ASM.						1	
59		RO078190100		RUBBER RING						1	
60		40102264		FEED_REVER_ASM.						1	
61		SM8061010TP		SCREW				*		2	
62		40137504		THRUST_COLLAR_ASM						1	
63		SS8660610TP		SCREW 1/4-40 L=6				*		2	

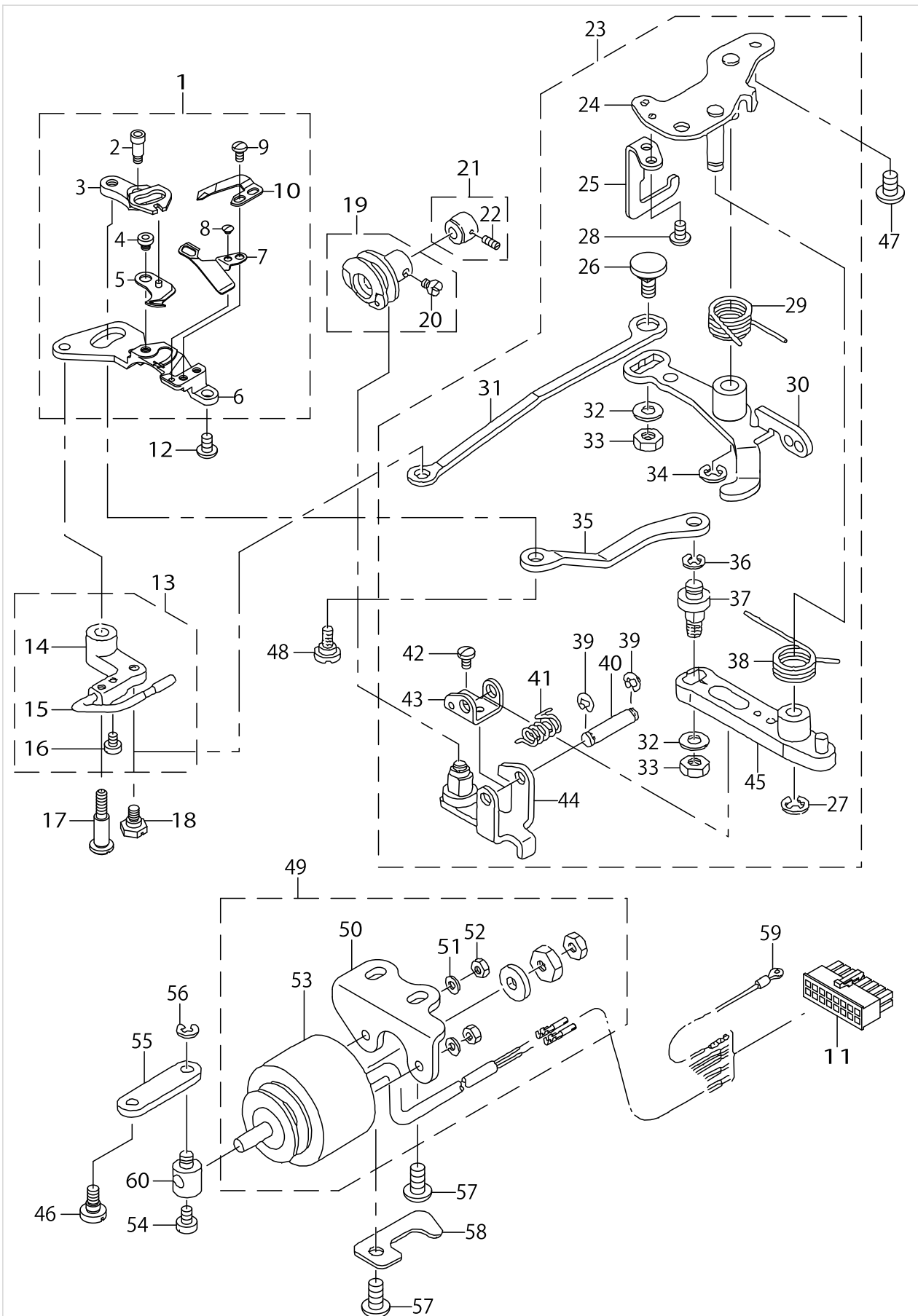
THREAD TRIMMER COMPONENTS



THREAD TRIMMER COMPONENTS

No.	Supply Code	Parts No.	Replacement	Parts name	Remarks	Choice	Step	Level	Cons	Qty	Rep. QTY
1		40130579		KNIFE UNIT						1	
2		SD0460703TP		HINGE SCREW D=4.6 H=7				*		1	
3		22948202		FORKED BASE FOR KNIFE				*		1	
4		11040409		MOVING KNIFE HINGE SCREW				*		1	
5		11040052		MOVING KNIFE ASM.				*		1	
6	R	40130580	22947907	KNIFE INSTALLING BASE		選択	DDL-8700B7 H	*		1	1.00
6	R	40130580	40143120	KNIFE INSTALLING BASE		選択	DDL-8700- BH-7,DDL8700NJ-7	*		1	1.00
6	R	40130580	22947956	KNIFE INSTALLING BASE		選択	その他	*		1	1.00
7		22947808		THREAD GUIDE FOR KNIFE				*		1	
8		SS2060210SP		SCREW 3/32-56 L=2.3				*		1	
9		SS4080620TP		SCREW 1/8-44 L=6				*		2	
10		D2406555D0H		COUNTER KNIFE				*		1	
11		HK034610140		HOUSING 14P						1	
12		SS4110715SP		SCREW 11/64-40 L=7						1	
13		22950257		PICKER ARM ASM.						1	
14		22950208		PICKER ARM				*		1	
15		22950356		HOOK THREAD PRESSER ASM.				*		1	
16		SS6090510TP		SCREW 9/64-40 L= 5.0				*		2	
17		SD0641451SP		HINGE SCREW D= 6.35 H=14.5						1	
18		SD0630275SP		HINGE SCREW D= 6.35 H= 2.7						1	
19		22950851		THREAD TRIMMER CAM ASM.φn						1	
20		SS6660610TP		SCREW 1/4-40 L=6				*		2	
21		22950950		CAM COLLAR ASM.						1	
22		SS8110520TP		SCREW 11/64-40 L= 4.5				*		1	
23		22949762		THREAD TRIMMER DRIVING UNIT						1	
24		22949754		BASE PLATE ASM.				*		1	
25		22950703		DRIVING ARM STOPPER				*		1	
26		22950000		PICKER LINK PIN				*		1	
27		RE0600000K0		E-RING 6				*		1	
28		SS4110715SP		SCREW 11/64-40 L=7				*		2	
29		22949408		CLUTCH SPRING				*		1	
30		40087245		CLUTCH PLATE ASM.				*		1	
31		22950109		PICKER LINK				*		1	
32		WP0621016SH		WASHER				*		2	
33		NS6150430SP		NUT 15/64-28				*		2	
34		RE0600000K0		E-RING 6				*		1	
35		22948301		MOVING KNIFE LINK				*		1	
36		RE0500000K0		E-RING				*		1	
37		22948400		MOVING KNIFE LINK PIN				*		1	
38		22949309		KNIFE RETURN SPRING B				*		1	
39		RE0400000K0		E-RING 4				*		2	
40		22949101		ROLLER FULCRUM SHAFT				*		1	
41		22949200		ROLLER RETURN SPRING				*		1	
42		SS7090610SP		SCREW 9/64-40 L=6				*		1	
43		22949002		ROLLER ARM SEAT				*		1	
44		11040953		ROLLER ARM ASM.				*		1	

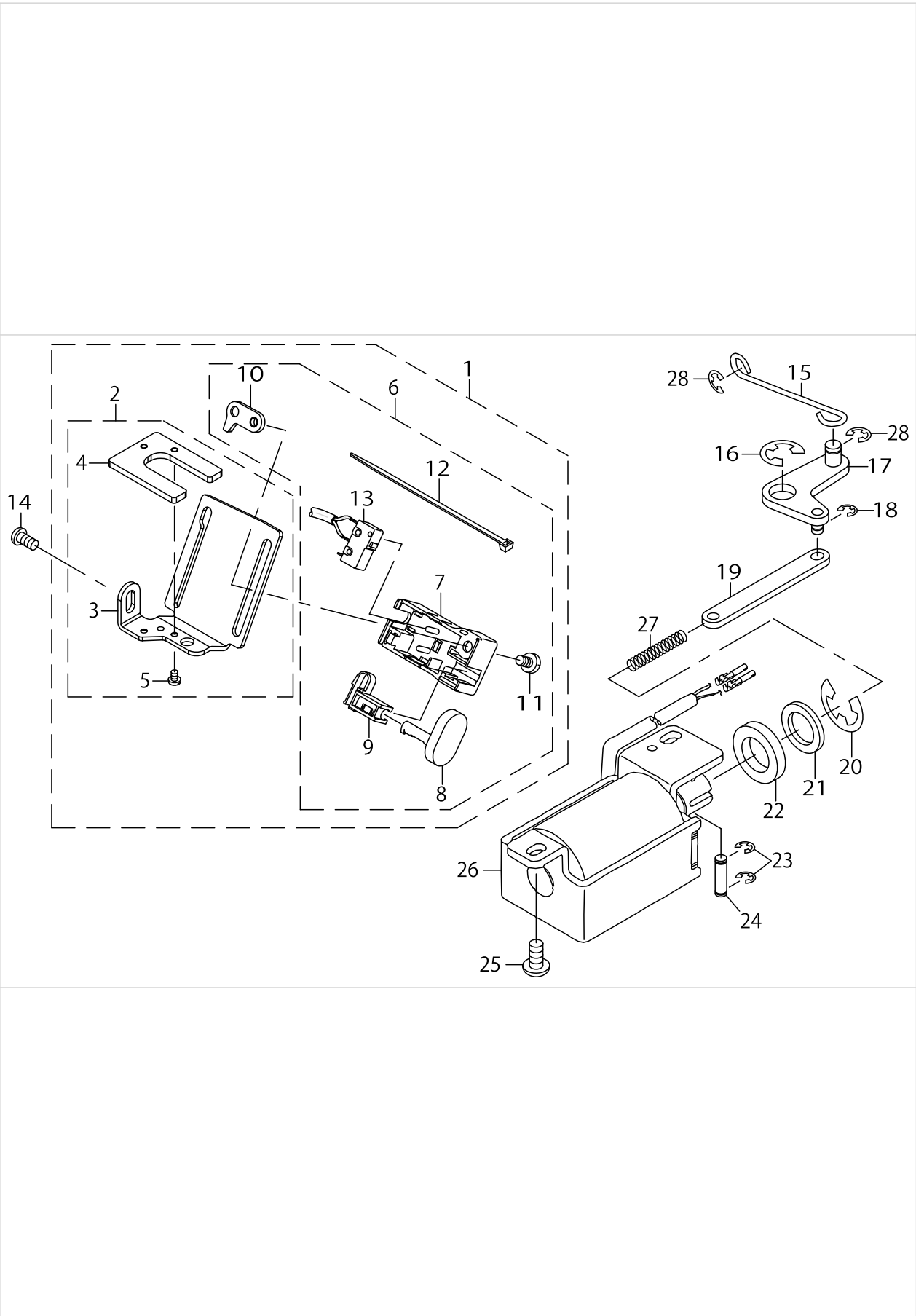
THREAD TRIMMER COMPONENTS



THREAD TRIMMER COMPONENTS

No.	Supply Code	Parts No.	Replacement	Parts name	Remarks	Choice	Step	Level	Cons	Qty	Rep. QTY
45	R	11040854	22948558	KNIFE DRIVING ARM ASM.				*		1	1.00
46		SD0600361SP		HINGE SCREW D=6 H=3.6						1	
47		SS4150915SP		SCREW 15/64-28 L=9						2	
48		SD0640631TP		HINGE SCREW D=6.35 H=6.3						1	
49		40111031		THREAD TRIMMER SOLENOID ASM.						1	
50		22951404		SOLENOID BASE				*		1	
51		WS0410002KR		SPRING WASHER M4				*		2	
52		NM6040001SE		NUT M4				*		2	
53		40110995		THREAD TRIMMER SOLENOID				*		1	
54		SS6110710TP		SCREW 11/64-40 L=6.5						1	
55		22949903		CLUTCH LINK						1	
56		RE0500000K0		E-RING						1	
57		SS4151215SP		SCREW 15/64-28 L=12						2	
58		22924807		PIPE HOLDER LOWER						1	
59		40112907		GROUND WIRE ASM.						1	
60		22951008		SOLENOID PIN						1	

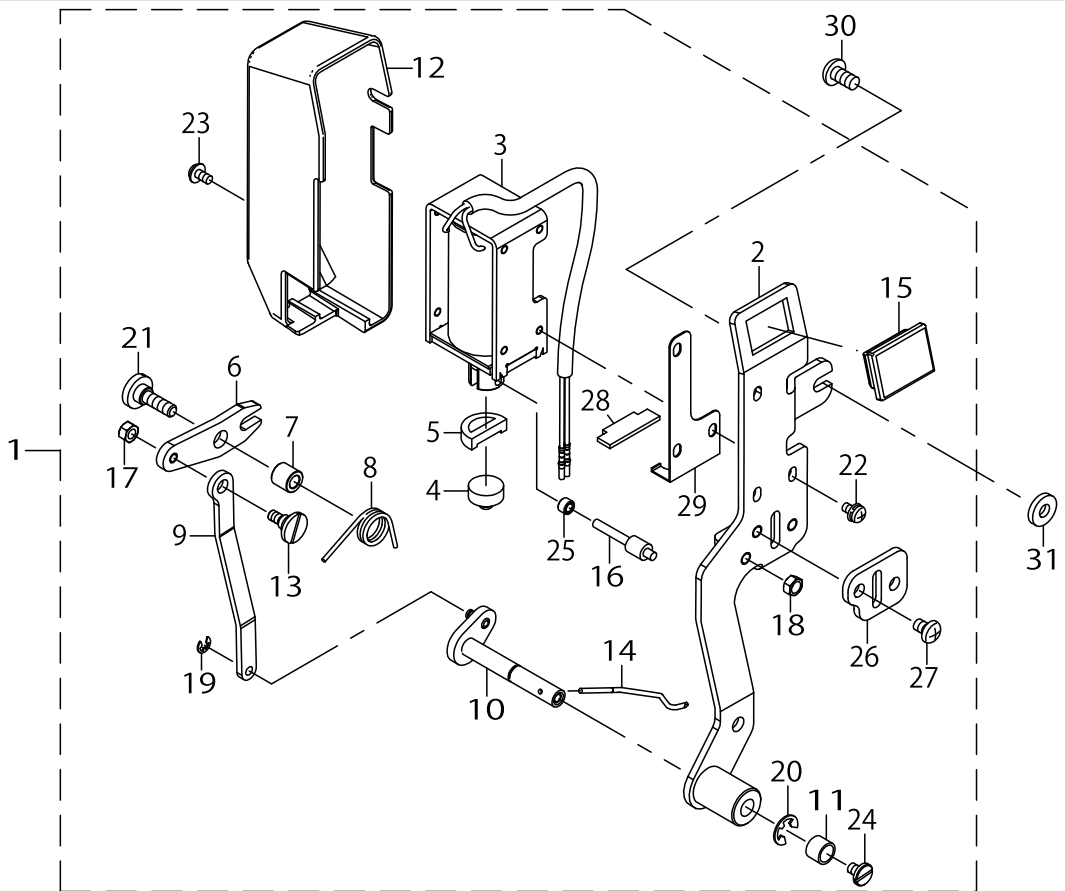
AUTOMATIC REVERSE FEED COMPONENTS



AUTOMATIC REVERSE FEED COMPONENTS

No.	Supply Code	Parts No.	Replacement	Parts name	Remarks	Choice	Step	Level	Cons	Qty	Rep. QTY
1	R	40139754	40148382	BT_SW_LED_ASSY						1	1.00
2	R	40140189	40148382	LED_BASE_ASSY				*		1	1.00
3		40139771		LED_BASE				*		1	
4	R	40139772	40148382	LED				*		1	1.00
5		40140191		LED_SCREW				*		2	
6		40140491		BT_SWITCH_UNIT				*		1	
7		23631708		REVERSE FEED SWITCH COVER				*		1	
8		23631807		REVERSE FEED SWITCH SHAFT				*		1	
9		23631906		REVERSE FEED SWITCH SUPPORT				*		1	
10		23632102		REVERSE FEED SWITCH BASE GUIDE				*		1	
11		SS7110740TP		SCREW 11/64-40 L=7				*		1	
12		EA9500B0100		CABLE BAND				*		1	
13		40140492		REVERSE_FEED_CORD_ASSY				*		1	
14		SS4120615SP		SCREW 3/16-28 L=6						1	
15		11101300		REVERSE FEED CONNECTING SHAFT						1	
16		RE0900000K0		E-RING 9						1	
17		22953657		CONNECTING ARM ASM.						1	
18		RE0400000KP		E-RING 4						1	
19		22953905		REVERSE FEED CONNECTING LINK						1	
20		RE1200000K0		E-RING 12						1	
21		WP1602616SZ		WASHER 16X24X2.6						1	
22		22953400		RUBBER PLUNGER						1	
23		RE0400000K0		E-RING 4						2	
24		22953509		PLUNGER ARM PIN						1	
25		SS4151215SP		SCREW 15/64-28 L=12						2	
26		40130594		REVERSE_FEED_SOLENOID						1	
27		22954002		PLUNGER SPRING						1	
28		RE0500000KP		E-RING 5						2	

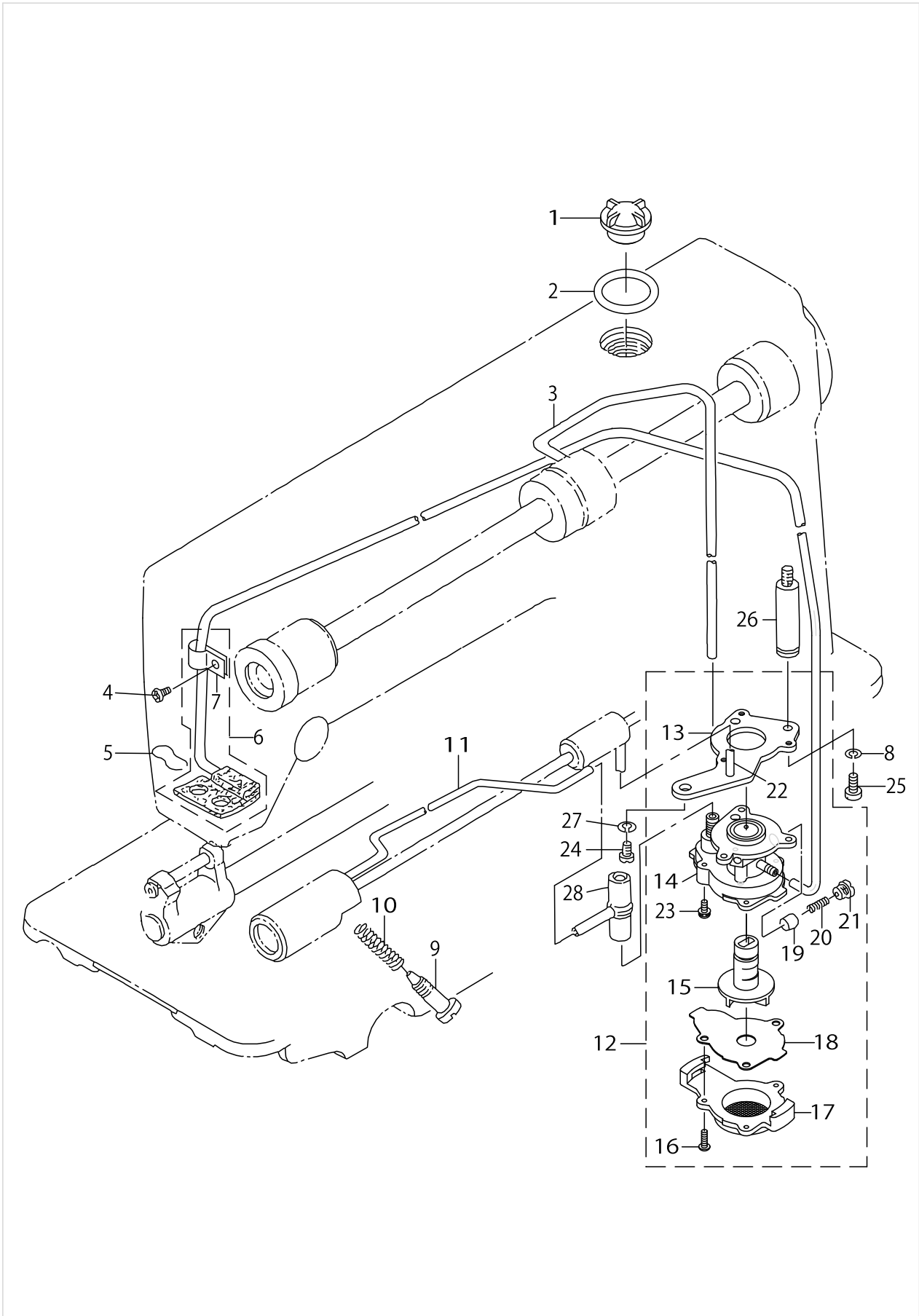
WIPER COMPONENTS



WIPER COMPONENTS

No.	Supply Code	Parts No.	Replacement	Parts name	Remarks	Choice	Step	Level	Cons	Qty	Rep. QTY
1		40140992		WIPER_ASSY						1	
2		40140994		WIPER_BASE_ASSY				*		1	
3		40110999		WIPER SOLENOID				*		1	
4		22955900		WIPER RUBBER A				*		1	
5		22956007		WIPER RUBBER B				*		1	
6		22956106		WIPER LINK A				*		1	
7		22956205		WIPER HINGE SCREW COLLAR				*		1	
8		22956304		WIPER SPRING				*		1	
9		22956403		WIPER LINK B				*		1	
10		40041419		WIPER LINK C ASM.				*		1	
11		22956809		WIPER COLLAR				*		1	
12		22955504		WIPER COVER				*		1	
13		22956908		WIPER LINK B HINGE SCREW				*		1	
14		40140991		WIPER				*		1	
15		40086678		WIPER_SW_RUBBER				*		1	
16		40077852		WIPER SOLENOID SHAFT				*		1	
17		NS6090310SP		NUT 9/64-40				*		1	
18		NS6110310SP		NUT 11/64-40				*		1	
19		RE0250000K0		E-RING 2.5				*		1	
20		RE0500000K0		E-RING				*		1	
21		SD0650321TP		HINGE SCREW D=6.5 H=3.2				*		1	
22		SL4030641SE		SCREW				*		3	
23		SL4030691SC		SCREW M3 L=6				*		1	
24		SS6090540SP		SCREW 9/64-40 L= 5.0				*		1	
25		22957203		WIPER LINK COLLAR				*		1	
26		40077851		WIPER SOLENOID SHAFT GUIDE				*		1	
27		SS4110615SP		SCREW 11/64-40 L=6				*		2	
28		40086679		WIPER_STOPPER_RUBBER				*		1	
29		40037500		RUBBER HOLDER				*		1	
30		SS4120925SP		SCREW 3/16-28 L=9						1	
31		WP0482086SD		WASHER 4.8X11.5X2						1	

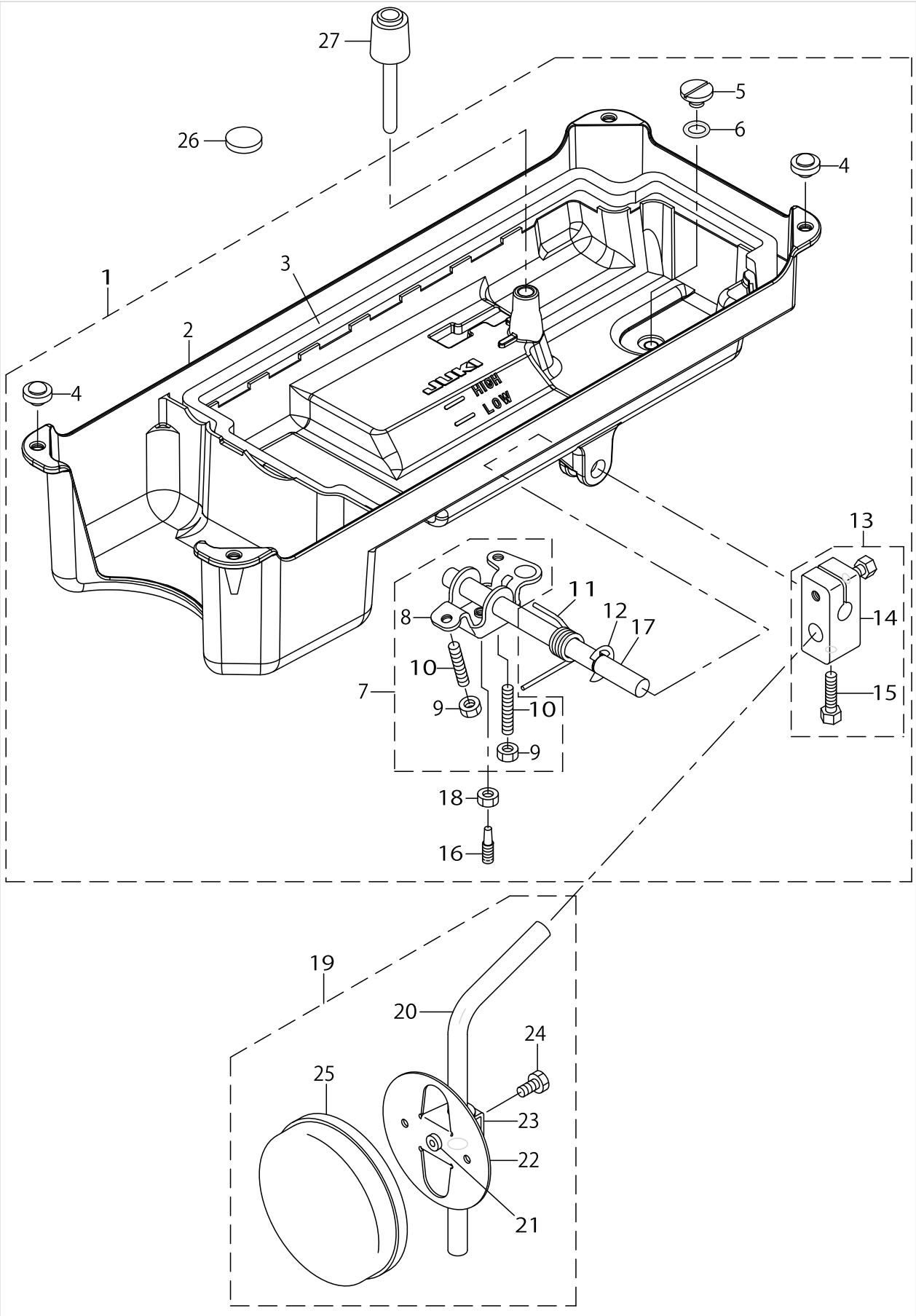
OIL LUBRICATION COMPONENTS



OIL LUBRICATION COMPONENTS

No.	Supply Code	Parts No.	Replacement	Parts name	Remarks	Choice	Step	Level	Cons	Qty	Rep. QTY
1		22924708		OIL SIGHT WINDOW						1	
2		RO195240100		RUBBER RING						1	
3		22924401		MAINSHAFTOILTUBE						1	
4		SS4120615SP		SCREW 3/16-28 L=6						1	
5		22925101		OIL FELT PRESSER						1	
6		22924153		OIL RETURN TUBE ASM.						1	
7		22924302		HOLDER				*		1	
8		WS0451040KP		SPRING WASHER 4.5X8.5X1						.3	
9		22925002		OIL ADJUSTING SCREW						1	
10		22924906		SPRING						1	
11		22924500		OIL TUBE						1	
12		22923056		LUBRICATING OIL PUMP ASM.						1	
13	R	22923312	11392057	OIL PUMP INSTALLING BASE		選択	DLD5430	*		1	1.00
13	R	22923312	11404555	OIL PUMP INSTALLING BASE		選択	DDL5600/- DU1181/DDL8100e	*		1	1.00
13	R	22923312	22923056	OIL PUMP INSTALLING BASE		選択	DDL8700/- 8300/8500- /900A/DM- N5420/DLM5400	*		1	1.00
14	R	22923015	22923056	OIL PUMP				*		1	1.00
15		22923700		OIL PUMP IMPELLER				*		1	
16		SE4301041SR		SCREW D=3 L=10				*		1	
17		22923205		LUBRICATING OIL PUMP COVER				*		1	
18		22923809		OIL PUMP IMPELLER COVER				*		1	
19		22923403		PLUNGER				*		1	
20		22923601		PLUNGER SPRING				*		1	
21		22923502		PLUNGER SCREW				*		1	
22	R	22923908	22923056	HOOK DRIVING SHAFT OIL TUBE				*		1	1.00
23		SL4030851SF		SCREW M3 L=8				*		3	
24		SS4150915SP		SCREW 15/64-28 L=9						1	
25		SS6111010TP		SCREW 11/64-40 L=9.5						1	
26		22947105		OIL PUMP SUPPORT						1	
27		WS0651310KP		SPRING WASHER 6.5X11X1.3						1	
28		22924609		RUBBER JOINT						1	

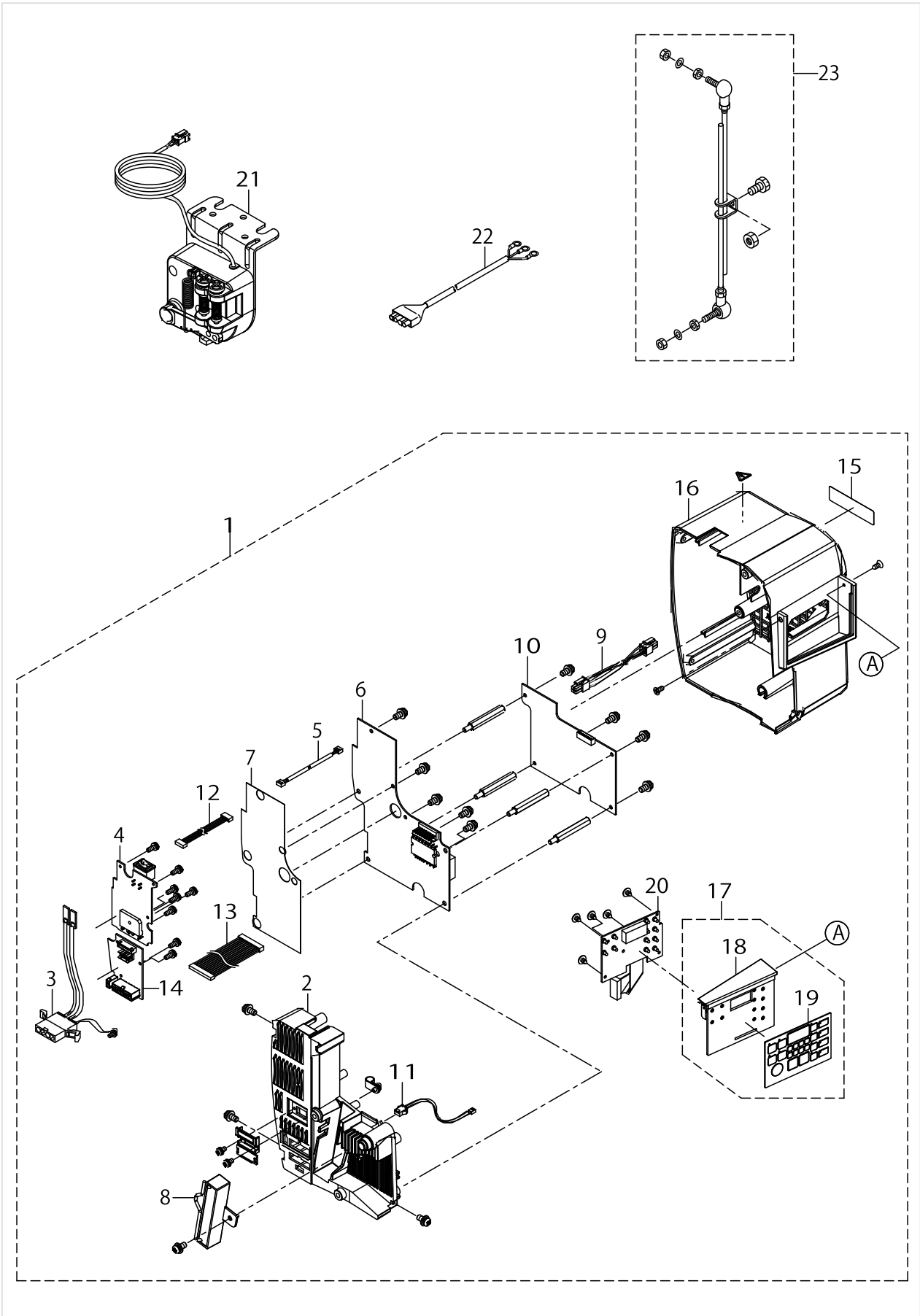
OIL RESERVOIR COMPONENTS



OIL RESERVOIR COMPONENTS

No.	Supply Code	Parts No.	Replacement	Parts name	Remarks	Choice	Step	Level	Cons	Qty	Rep. QTY
1		40111876		OIL_RESERVER_ASM.						1	
2		40105821		OIL RESERVOIR				*		1	
3	R	22931901	11024700	OIL RESERVOIR GASKET				*		1	1.00
4		B1116210D00		FRAME SUPPORT RUBBER				*		4	
5		SS6700710SH		SCREW 5/16-24 L=7				*		1	
6		RO098240100		RUBBER RING				*		1	
7		22932156		KNEE LIFTER ROTATION ARM ASM.				*		1	
8	R	22932107	22932156	KNEE LIFTING ROTATING ARM				*		1	1.00
9		NM6060001SE		NUT M6				*		2	
10		SM8063012TR		SCREW M6 L=30				*		2	
11		22932206		SPRING				*		1	
12		RE1000000K0		E-RING 10				*		1	
13		22932453		BRACKET ASM.				*		1	
14	R	22932404	22932453	BRACKET				*		1	1.00
15		22934707		SCREW				*		2	
16		40101720		SCREW_M6				*		1	
17		40101541		KNEE_PRESS_CROSS_SHAFT				*		1	
18		NM6060001SE		NUT M6				*		1	
19		22934251		KNEE PAD PLATE ASM.						1	
20		22934608		KNEE PAD UPRIGHT SHAFT				*		1	
21		22934400		KNEE PAD PLATE RUBBER				*		1	
22		22934202		KNEE PAD PLATE				*		1	
23		22934301		KNEE PAD PLATE SUPPORT				*		1	
24		SM9061203SE		SCREW M6 L=12				*		1	
25		22934509		KNEE PAD PLATE COVER				*		1	
26		B8228125000		OIL RESERVOIR MAGNET						1	
27		22931703		KNEE LIFTER PUSH ROD						1	

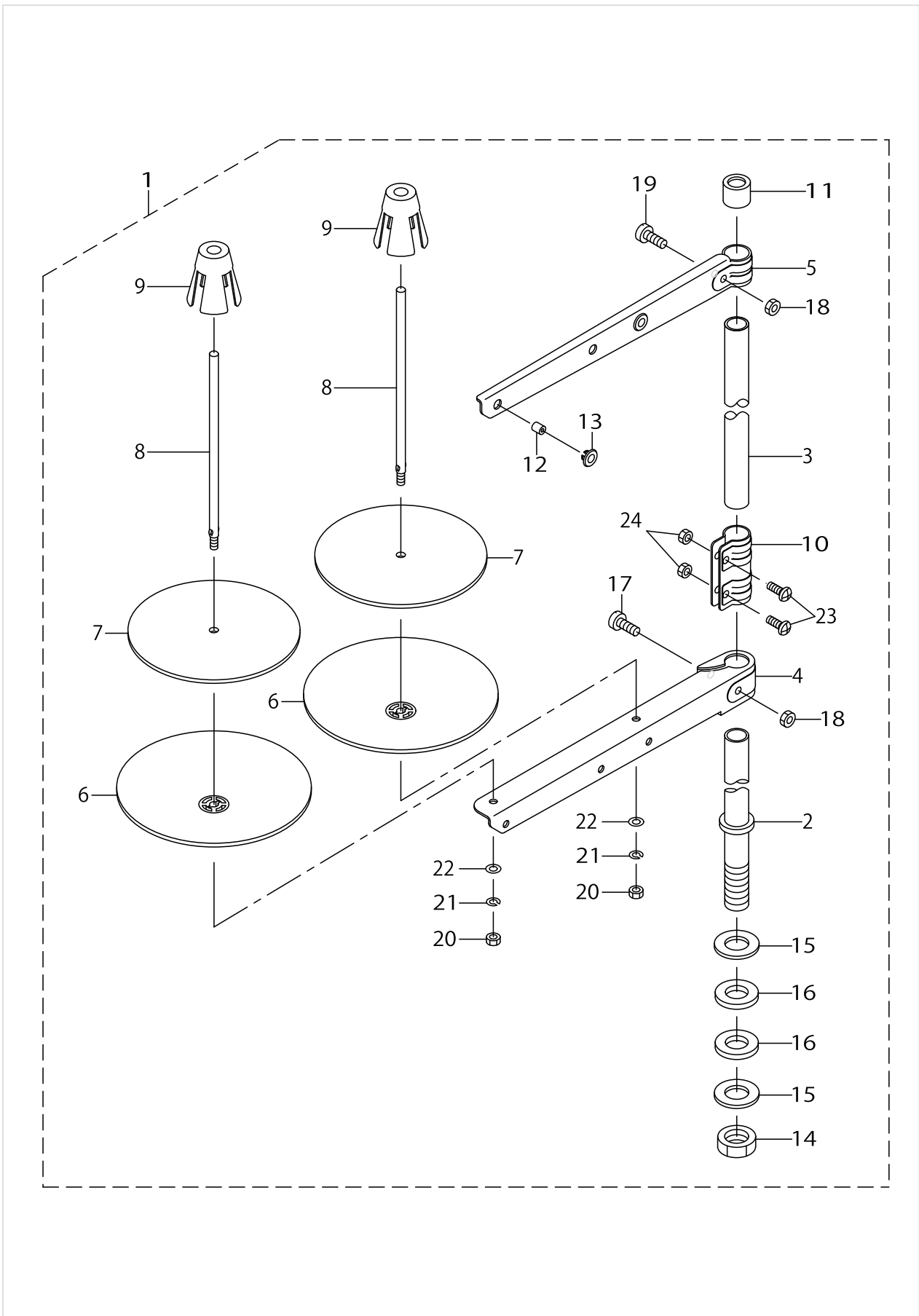
PSC UNIT



PSC UNIT

No.	Supply Code	Parts No.	Replacement	Parts name	Remarks	Choice	Step	Level	Cons	Qty	Rep. QTY
1	R	40139787	40148330	CONTROL_BOX						1	1.00
2		40141199		FRAME				*		1	
3		40141200		ACINPUTCORDASSY				*		1	
4		40141201		FLT PCB ASSY				*		1	
5		40141203		INPUT CHECK CORD ASSY				*		1	
6	R	40141204	40148331	PWR PCB ASSY				*		1	1.00
7		40141205		PWRPCB FILMSHEET				*		1	
8		40141206		RESISTANCE_A_ASSY				*		1	
9		40141207		DC POWER SUPPLY CORD ASSY				*		1	
10		40141208		CTL PCB ASSY				*		1	
11		40141209		PEDAL CORD ASSY				*		1	
12		40141210		SOL POWER CORD ASSY				*		1	
13		40141211		SOL SIGNAL CORD ASSY				*		1	
14		40141212		SOL PCB ASSY				*		1	
15		40141218		RATING LABEL C DRAWING				*		1	
16		40141217		PSC COVER				*		1	
17		40141214		PANEL COVER ASSY				*		1	
18		40141215		PANEL COVER				*		1	
19		40141216		MEMBREM SWITCH				*		1	
20		40141213		PNL PCB ASSY				*		1	
21		40141219		PEDAL_SENSOR_A_ASSY						1	
22		40141220		AC POWER CORD ASSY						1	
23		40042134		CONNECTING_ROD_ASSY						1	

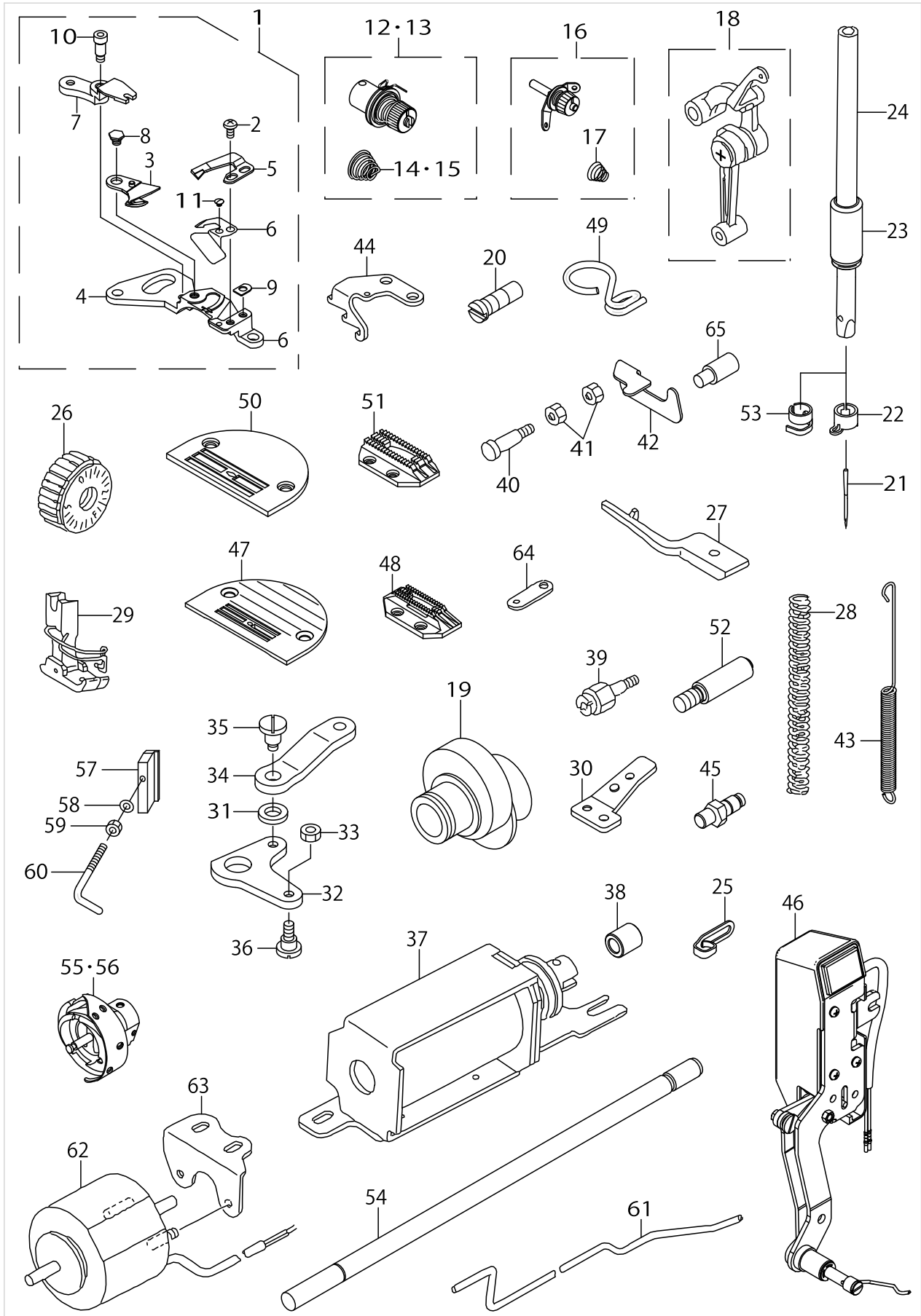
THREAD STAND COMPONENTS



THREAD STAND COMPONENTS

No.	Supply Code	Parts No.	Replacement	Parts name	Remarks	Choice	Step	Level	Cons	Qty	Rep. QTY
1		40096354		THREAD STAND ASM.						1	
2		40085784		SPOOL REST ROD LOWER				*		1	
3		40085785		SPOOL REST ROD UPPER				*		1	
4		40085786		SPOOL REST ARM LOWER				*		1	
5		40085787		SPOOL REST ARM UPPER				*		1	
6		40085788		SPOOL REST				*		2	
7		40085789		SPOOL REST CUSHION				*		2	
8		40085790		SPOOL PIN				*		2	
9		40085791		SPOOL RETAINER				*		2	
10		40085792		SPOOL REST ROD JOINT				*		1	
11		40085793		SPOOL REST ROD RUBBER CAP				*		1	
12		40085794		THREAD GUIDE				*		2	
13		40085795		THREAD GUIDE BUSHING				*		2	
14		40096325		SPOOL REST ROD NUT				*		1	
15		WP1612616SE		WASHER 16X30X2.6				*		2	
16		40085796		SPOOL REST ROD RUBBER CUSHION				*		2	
17		40096326		SPOOL REST ARM LOWER SCREW				*		1	
18		NM6050001SE		NUT M5				*		2	
19	R	40096327	SM4053001SE	SPOOL REST ARM UPPER SCREW				*		1	1.00
20		NM6050001SE		NUT M5				*		2	
21		WS0510002KN		SPRING WASHER M5				*		2	
22		WP0531001SC		WASHER M5				*		2	
23		SM4051405SE		SCREW M5 L=14				*		2	
24		NM6050001SE		NUT M5				*		2	

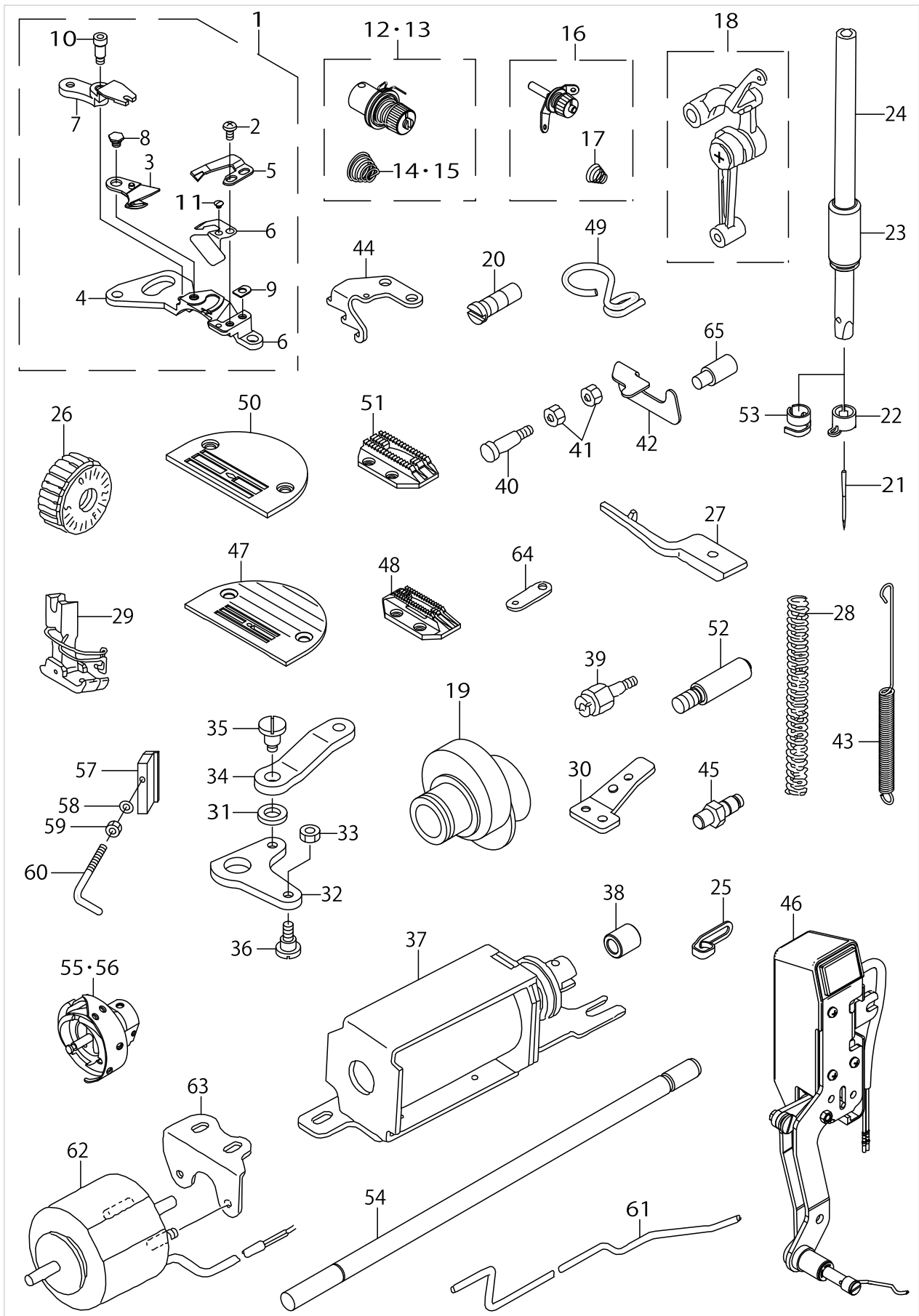
EXCLUSIVE PARTS FOR M,H



EXCLUSIVE PARTS FOR M,H

No.	Supply Code	Parts No.	Replacement	Parts name	Remarks	Choice	Step	Level	Cons	Qty	Rep. QTY
1		40143120		KNIFE UNIT						1	
2		SS4080620TP		SCREW 1/8-44 L=6				*		2	
3		11409257		MOVING KNIFE J ASM.				*		1	
4		22947907		KNIFE INSTALLING BASE				*		1	
5		40089755		FIX KNIFE				*		1	
6		23645401		THREAD GUIDE FOR KNIFE H				*		1	
7		11095601		KNIFE BRANCH				*		1	
8		SD0500131TP		HINGE SCREW D=5 H=1.25				*		1	
9		D2404555B00		COUNTER KNIFE SPACER				*		1	
10		SD0460703TP		HINGE SCREW D=4.6 H=7				*		1	
11		SS2060210SP		SCREW 3/32-56 L=2.3				*		1	
12		22962054		THREAD TENSION ASM.						1	
13		40126850		THREAD TENSION ASM.	FOR M					1	
14	R	22962005	B3114232000	THREAD TENSION SPRING				*		1	1.00
15		40112420		THREAD TENSION SPRING M	FOR M			*		1	
16		22963458		THREAD TENSION ASM						1	
17	R	22963409	22963458	THREAD TENSION SPRING				*		1	1.00
18		40103560		LINK THREAD TAKE-UP LEVER ASM.						1	
19		22962351		FEED DRIVE ECCENTRIC CAM ASM.						1	
20		B1213552000A		OIL ADJUSTING PIN						1	
21		MDB100B2100		NEEDLE DBX1 #21						1	
22		B1418415H00		NEEDLE BAR THREAD GUIDE						1	
23		22970313		NEEDLE BAR BUSHING LOWER						1	
24		22970206		NEEDLE BAR						1	
25		11091006		ARM THREAD GUIDE (HA)						1	
26		40101726		FEED_DIAL						1	
27	R	11093804	22962401	POSITIONING FINGER H						1	1.00
28		B1505552000A		PRESSER SPRING						1	
29	R	D1524555EBL	D1524555ECL	PRESSER FOOT ASM.						1	1.00
30		22962807		WIRE PRESSER PLATE (LOWER) B						1	
31		WP0722316SH		WASHER						1	
32		11101508		REVERSE FEED LINK						1	
33		NS6110420SP		NUT 11/64-40						1	
34		22962500		CONNECTING LINK						1	
35		SD0700711TP		HINGE SCREW D=7 H=7.1						1	
36		SD0700451TP		HINGE SCREW D=7 H=4.5						1	
37		40111032		SOLENOID MOUNTING BASE ASM.						1	
38		22962609		REVERSE FEED BASE COLLAR						1	
39		11231503		OIL PUMP SUPPORT						1	
40		22962906		PLUNGER ARM PIN						1	
41		NS6110420SP		NUT 11/64-40						2	
42		22962708		REVERSE FEED CORD PRESSER						1	
43		40080725		ADJUSTING LINK SPRING						1	
44		22970602		FEED SPRING HOOK						1	
45		22971204		FEED REGULATOR BASE PIN						1	

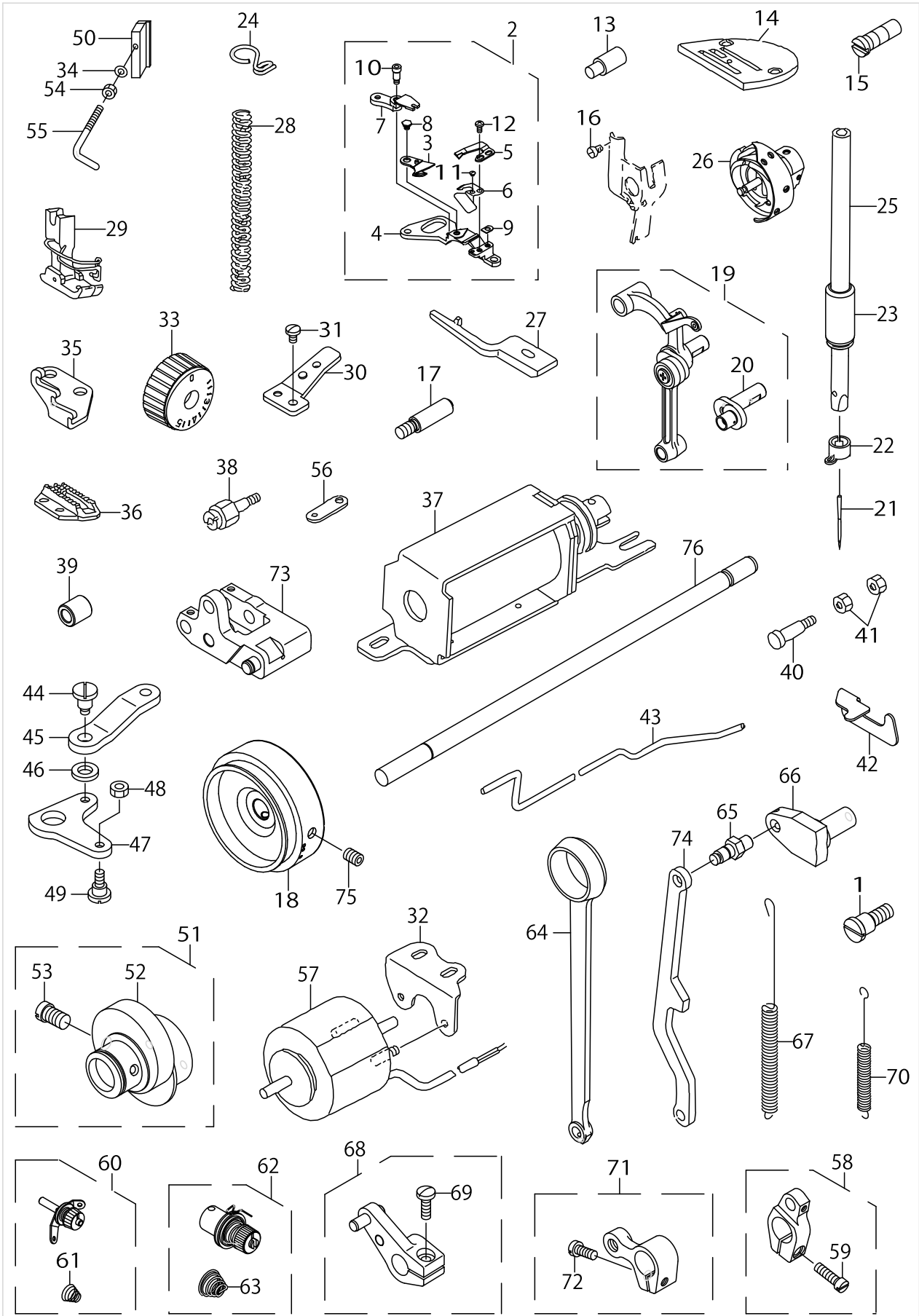
EXCLUSIVE PARTS FOR M,H



EXCLUSIVE PARTS FOR M,H

No.	Supply Code	Parts No.	Replacement	Parts name	Remarks	Choice	Step	Level	Cons	Qty	Rep. QTY
46		40141076		WIPER_ASSY_H						1	
47		B1109552000		THROAT PLATE	FOR M					1	
48		40133950		FEED DOG M	FOR M					1	
49		40023223		NEEDLE BAR THREAD GUIDE						1	
50		11400801		THROAT PLATE J						1	
51		11403003		FEED J						1	
52		40115888		LEVER_STOPPER_ASSY						1	
53		22970404		NEEDLE BAR THREAD HOOK	FOR M					1	
54		40133779		FEEDROCKERSHAFT						1	
55		40126849		HOOK ASM.	FOR M					1	
56		11092251		HOOK ASM.						1	
57		11403805		THREAD GUIDE C FITTING PLATE						1	
58		WP0371016SD		WASHER 3.7X8X1						1	
59		NS6090310SP		NUT 9/64-40						1	
60		22972608		ARMTHREADGUIDE C						1	
61		11094109		OIL TUBE						1	
62		40114564		THREAD_TRIMMER_SOLENOID_H						1	
63		11407608		SOLENOID BASE						1	
64		11094604		CLUTCH LINK						1	
65		40010395		ADJUSTING LINK F- ULCRUM SHAFT B						1	

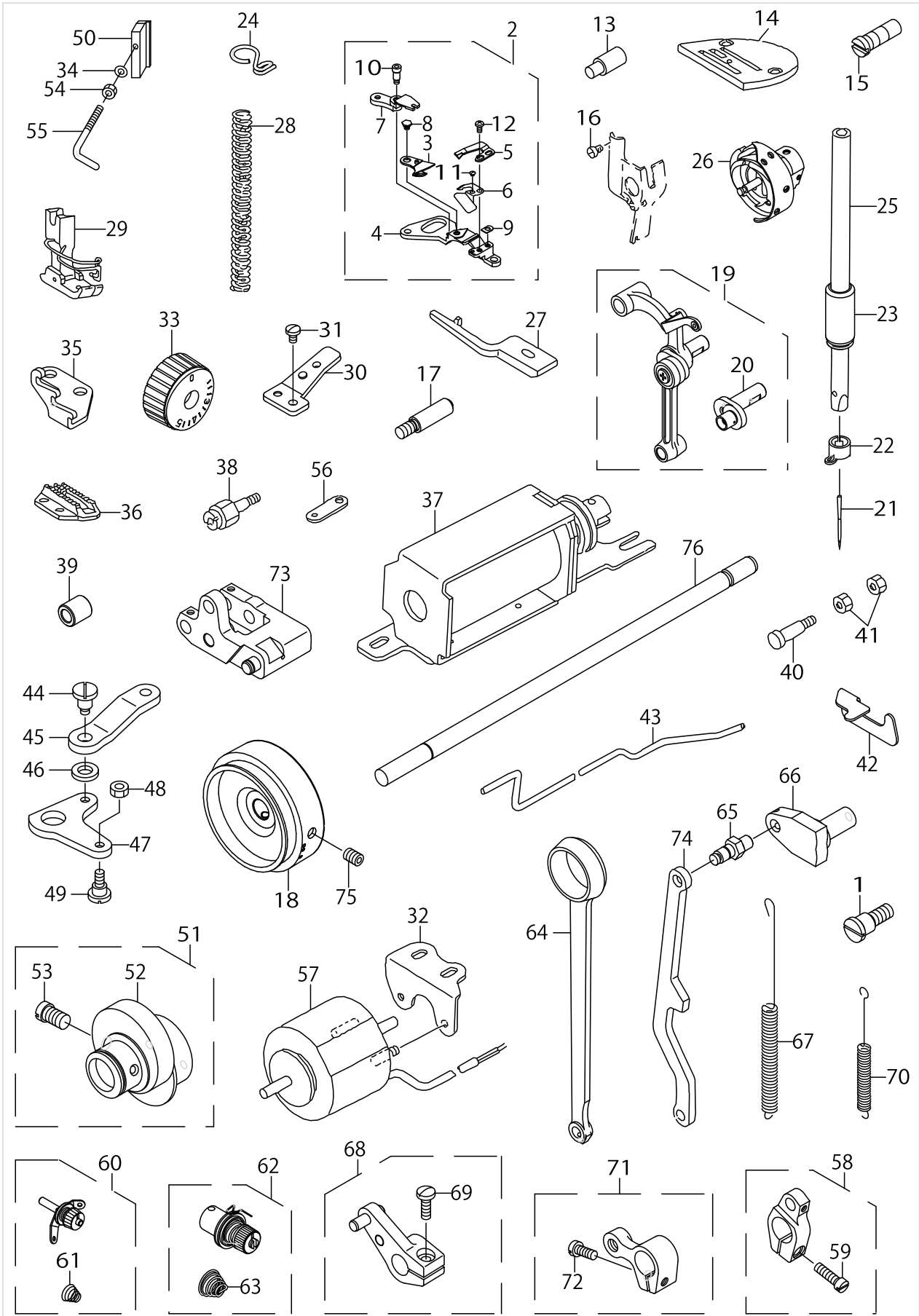
EXCLUSIVE PARTS FOR J



EXCLUSIVE PARTS FOR J

No.	Supply Code	Parts No.	Replacement	Parts name	Remarks	Choice	Step	Level	Cons	Qty	Rep. QTY
1		40031249		HINGE SCREW						1	
2		40143120		KNIFE_UNIT						1	
3		11409257		MOVING KNIFE J ASM.				*		1	
4	R	40130580	22947907	KNIFE INSTALLING BASE		選択	DDL-8700B7 H	*		1	1.00
4	R	40130580	40143120	KNIFE INSTALLING BASE		選択	DDL-8700- BH-7,DDL8700NJ-7	*		1	1.00
4	R	40130580	22947956	KNIFE INSTALLING BASE		選択	その他	*		1	1.00
5		40089755		FIX KNIFE				*		1	
6		23645401		THREAD GUIDE FOR KNIFE H				*		1	
7		11095601		KNIFE BRANCH				*		1	
8		SD0500131TP		HINGE SCREW D=5 H=1.25				*		1	
9		D2404555B00		COUNTER KNIFE SPACER				*		1	
10		SD0460703TP		HINGE SCREW D=4.6 H=7				*		1	
11		SS2060210SP		SCREW 3/32-56 L=2.3				*		1	
12		SS4080620TP		SCREW 1/8-44 L=6				*		2	
13		40010395		ADJUSTING LINK F- ULCRUM SHAFT B						1	
14		11062007		THROAT PLATE A						1	
15		B1213552000A		OIL ADJUSTING PIN						1	
16		SS6080320SP		SCREW 1/8-44 L= 2.5						1	
17		40115888		LEVER_STOPPER_ASSY						1	
18		40148383		HAND_PULLEY_J						1	
19		11062858		LINK THREAD TAKE- -UP LEVER ASM.						1	
20		11062809		NEEDLE BAR CRANK				*		1	
21		MDP500B2100		NEEDLE DPX5 #21						1	
22		B1418415H00		NEEDLE BAR THREAD GUIDE						1	
23		22970313		NEEDLE BAR BUSHING LOWER						1	
24		40023223		NEEDLE BAR THREAD GUIDE						1	
25		22970206		NEEDLE BAR						1	
26		40035058		HOOK ASM.						1	
27		22942502		INNER HOOK PRESSER						1	
28		B1505552000A		PRESSER SPRING						1	
29		40064839		PRESSER FOOT ASM.						1	
30		22962807		WIRE PRESSER PLATE(LOWER) B						1	
31		SS7110740TP		SCREW 11/64-40 L=7						1	
32		11407608		SOLENOID BASE						1	
33		40039674		FEED DIAL						1	
34		WP0371016SD		WASHER 3.7X8X1						1	
35		22970602		FEED SPRING HOOK						1	
36		11062601		FEED DOG						1	
37	R	11096658	40090750	SOLENOID MOUNTING BASE ASM.						1	1.00
38		11231503		OIL PUMP SUPPORT						1	
39		22962609		REVERSE FEED BASE COLLAR						1	
40		22962906		PLUNGER ARM PIN						1	
41		NS6110420SP		NUT 11/64-40						2	
42		22962708		TUBE HOLDER LOWER						1	
43		11094109		OIL TUBE						1	

EXCLUSIVE PARTS FOR J



EXCLUSIVE PARTS FOR J

No.	Supply Code	Parts No.	Replacement	Parts name	Remarks	Choice	Step	Level	Cons	Qty	Rep. QTY
44		SD0700711TP		HINGE SCREW D=7 H=7.1						1	
45		22962500		SOLENOID CONNECTING LINK H						1	
46		WP0722316SH		WASHER						1	
47		11101508		REVERSE FEED LINK						1	
48		NS6110420SP		NUT 11/64-40						1	
49		SD0700451TP		HINGE SCREW D=7 H=4.5						1	
50		11403805		THREAD GUIDE C FITTING PLATE						1	
51		22970552		FEED ECCENTRIC CAM ASM.						1	
52		22970503		FEED ECCENTRIC CAM L				*		1	
53		22972806		FEED ECCENTRIC CAM SETSCREW				*		2	
54		NS6090310SP		NUT 9/64-40						1	
55		22972608		ARMTHREADGUIDE C						1	
56		11094604		CLUTCH LINK						1	
57		40114564		THREAD_TRIMMER_SOLENOID_H						1	
58		22970859		HORIZONTAL FEED ARM ASM.						1	
59		SS6121610SP		SCREW 3/16-28 L=15.5				*		1	
60		22963458		THREAD TENSION ASM.						1	
61	R	22963409	22963458	THREAD TENSION SPRING				*		1	1.00
62		22962054		THREAD TENSION ASM.						1	
63	R	22962005	B3114232000	THREAD TENSION SPRING				*		1	1.00
64	R	22970701	22970750	HORIZONTAL FEED ROD						1	1.00
65		22971204		FEED REGULATOR BASE PIN						1	
66		22971303		FEED REGULATOR BASE						1	
67		11302619		SPRING						1	
68		22971550		FEED LEVER ARM ASM.						1	
69		SS7121410TP		SCREW 3/16-28 L=14				*		1	
70		22971709		FEED REVERSE SPRING						1	
71		22972251		VERTICAL FEED ARM ASM.						1	
72		SS6121610SP		SCREW 3/16-28 L=15.5				*		1	
73		40031240		FEED ADJUST LINK ASM.						1	
74		40031244		FEED ADJUST ROD						1	
75		SM80608A2TP		SCREW M6 L=8						2	
76		40133779		FEEDROCKERSHAFT						1	

HOW TO MAKE USE OF THIS PARTS LIST

1.Explanation of codes

1)"*"mark.....means this part is changed from the previous parts book.

As to the details of the change, refer to the "List for information of change".

2)"#01".....refer to "Note" explanation at bottom of page.

2.Codes on the "Qty" column

- Each numeral indicates the number of parts required.
- "0.1" and "2.5" indicate the length (in meters) of the respective parts.

3.Parentheses mean that the corresponding part is a subpart that constructs an assembly part.

4.Dotted lines on the Figures indicate assembly parts.

5.As to the parts with marks of "☆"(consumable parts) and "◎"(optional parts)on the respective parts, it is recommended to prepare spares.

1 ."注記"欄の記号説明

1) "*"印.....前回のパーツブックに比較して今回変更された部品を意味します。

変更内容は、"変更情報リスト"を参照してください。

2) "#01".....ページ下の"注記"の説明を参照してください。

2.数量欄の数字は、個数を表し、0.1、2.5等の数値は、長さ（単位メートル）を表します。

3.数量欄の（ ）は、組部品を構成している子部品であることを意味します。

4.イラストページの-----枠は、組構成であることを意味します。

5.リストページの"☆"（消耗部品）、"◎"（オプション部品）の印がついた部品は、予備を準備しておくことをお奨めします。

NUMERICAL INDEX OF PARTS

PART NO	PAGE	REF NO.	PART NO	PAGE	REF NO.	PART NO	PAGE	REF NO.
11002904	8	3	22901201	4	52	22912109	16	8
11009800	16	23	22901250	4	51	22912257	16	19
11010311	16	17	22901300	4	53	22912505	16	20
11015906	10	37	22901805	2	14	22912802	16	46
11037405	16	22	22903207	8	25	22913008	18	51
11038650	10	34	22903306	8	27	22913701	16	38
11038759	10	24	22903900	8	14	22915003	16	15
11040052	20	5	22905004	10	23	22915201	18	48
11040409	20	4	22905103	10	25	22915359	18	58
11040854	22	45	22905202	10	26	22916001	10	31
11040953	20	44	22906101	10	2	22916100	10	35
11062007	40	14	22906200	10	8	22916308	10	27
11062601	40	36	22906309	10	10	22916506	10	38
11062809	40	20	22906457	10	4	22916555	10	36
11062858	40	19	22906606	8	8	22917058	10	12
11091006	36	25	22907307	12	36	22917157	10	29
11092251	38	56	22907406	12	33	22918064	8	5
11093804	36	27	22907505	12	32	22918072	8	4
11094109	38	61	22907554	12	30	22918106	8	7
11094109	40	43	22907604	12	31	22918304	8	6
11094604	38	64	22907703	14	45	22918403	8	9
11094604	42	56	22907802	12	1	22918502	8	10
11095601	36	7	22908008	12	42	22918601	8	11
11095601	40	7	22908008	14	42	22918700	8	12
11096658	40	37	22908156	12	40	22919203	8	29
11101300	24	15	22908305	14	44	22919559	8	2
11101508	36	32	22908354	12	39	22920102	12	29
11101508	42	47	22908552	12	4	22920201	12	23
11231503	36	39	22908701	12	7	22920300	12	26
11231503	40	38	22908800	12	14	22920409	12	24
11302619	42	67	22908909	12	11	22920508	2	30
11400801	38	50	22909006	12	13	22920607	4	47
11403003	38	51	22910004	8	18	22920904	2	43
11403805	38	57	22910053	8	16	22921001	2	31
11403805	42	50	22910103	8	13	22921209	2	38
11407608	38	63	22910202	16	12	22921308	2	33
11407608	40	32	22910251	16	11	22921407	2	34
11409257	36	3	22910806	16	28	22921506	2	37
11409257	40	3	22910905	16	24	22921506	6	28
22538706	6	33	22911002	16	40	22921605	2	39
22538805	8	30	22911101	16	13	22921704	2	35
22900401	2	10	22911507	16	2	22921803	2	36
22900609	2	28	22911606	16	4	22923015	28	14
22900757	2	4	22911804	16	7	22923056	28	12
22901003	4	55	22912000	16	9	22923205	28	17

NUMERICAL INDEX OF PARTS

PART NO	PAGE	REF NO.	PART NO	PAGE	REF NO.	PART NO	PAGE	REF NO.
22923312	28	13	22944706	12	10	22956106	26	6
22923403	28	19	22944854	12	28	22956205	26	7
22923502	28	21	22945109	12	25	22956304	26	8
22923601	28	20	22945307	2	40	22956403	26	9
22923700	28	15	22945356	2	32	22956809	26	11
22923809	28	18	22945414	2	22	22956908	26	13
22923908	28	22	22945463	2	21	22957203	26	25
22924153	28	6	22945505	2	25	22958300	2	7
22924302	28	7	22945604	2	23	22962005	36	14
22924401	28	3	22945703	2	26	22962005	42	63
22924500	28	11	22945703	6	30	22962054	36	12
22924609	28	28	22945802	2	24	22962054	42	62
22924708	28	1	22947105	28	26	22962351	36	19
22924807	22	58	22947808	20	7	22962500	36	34
22924906	28	10	22947907	36	4	22962500	42	45
22925002	28	9	22948202	20	3	22962609	36	38
22925101	28	5	22948301	20	35	22962609	40	39
22931703	30	27	22948400	20	37	22962708	36	42
22931901	30	3	22949002	20	43	22962708	40	42
22932107	30	8	22949101	20	40	22962807	36	30
22932156	30	7	22949200	20	41	22962807	40	30
22932206	30	11	22949309	20	38	22962906	36	40
22932404	30	14	22949408	20	29	22962906	40	40
22932453	30	13	22949754	20	24	22963409	36	17
22932909	10	18	22949762	20	23	22963409	42	61
22934202	30	22	22949903	22	55	22963458	36	16
22934251	30	19	22950000	20	26	22963458	42	60
22934301	30	23	22950109	20	31	22970206	36	24
22934400	30	21	22950208	20	14	22970206	40	25
22934509	30	25	22950257	20	13	22970313	36	23
22934608	30	20	22950356	20	15	22970313	40	23
22934707	30	15	22950703	20	25	22970404	38	53
22935407	4	57	22950851	20	19	22970503	42	52
22939508	10	3	22950950	20	21	22970552	42	51
22940506	16	10	22951008	22	60	22970602	36	44
22940654	18	55	22951404	22	50	22970602	40	35
22940753	16	35	22952501	2	18	22970701	42	64
22940951	16	27	22953400	24	22	22970859	42	58
22941108	16	1	22953509	24	24	22971204	36	45
22941306	16	36	22953657	24	17	22971204	42	65
22942502	10	32	22953905	24	19	22971303	42	66
22942502	40	27	22954002	24	27	22971550	42	68
22942601	10	28	22955504	26	12	22971709	42	70
22944508	12	18	22955900	26	4	22972251	42	71
22944607	12	20	22956007	26	5	22972608	38	60

NUMERICAL INDEX OF PARTS

PART NO	PAGE	REF NO.	PART NO	PAGE	REF NO.	PART NO	PAGE	REF NO.
22972608	42	55	40085785	34	3	40110390	8	40
22972806	42	53	40085786	34	4	40110731	6	25
23631708	24	7	40085787	34	5	40110734	6	26
23631807	24	8	40085788	34	6	40110975	6	16
23631906	24	9	40085789	34	7	40110976	6	1
23632102	24	10	40085790	34	8	40110977	8	15
23645401	36	6	40085791	34	9	40110978	8	20
23645401	40	6	40085792	34	10	40110979	8	28
26260109	6	2	40085793	34	11	40110995	22	53
26260208	6	3	40085794	34	12	40110999	26	3
26260307	6	4	40085795	34	13	40111022	2	20
26260406	6	5	40085796	34	16	40111025	8	36
26260505	6	6	40086678	26	15	40111031	22	49
26260604	6	7	40086679	26	28	40111032	36	37
26260802	6	8	40086740	8	21	40111424	8	32
26261008	6	9	40087245	20	30	40111872	8	34
26261206	6	10	40089548	16	25	40111876	30	1
26261305	6	11	40089755	36	5	40111896	4	61
26261503	6	12	40089755	40	5	40111897	18	52
26261602	6	13	40090002	10	14	40112420	36	15
26261701	6	14	40090003	10	16	40112907	22	59
40010395	38	65	40090004	10	19	40113241	6	34
40010395	40	13	40090005	10	21	40114564	38	62
40011144	6	15	40090058	10	6	40114564	42	57
40012126	2	2	40093417	16	26	40115888	38	52
40012129	2	11	40096325	34	14	40115888	40	17
40017805	12	35	40096326	34	17	40119475	6	24
40021933	6	17	40096327	34	19	40126308	4	60
40023223	38	49	40096354	34	1	40126849	38	55
40023223	40	24	40098388	12	34	40126850	36	13
40031240	42	73	40099083	4	58	40130579	20	1
40031244	42	74	40100812	16	44	40130580	20	6
40031249	40	1	40101462	16	31	40130580	40	4
40035058	40	26	40101541	30	17	40130594	24	26
40037008	6	32	40101720	30	16	40133779	38	54
40037500	26	29	40101726	36	26	40133779	42	76
40039674	40	33	40102097	2	1	40133950	38	48
40041419	26	10	40102124	16	39	40137504	8	23
40042134	32	23	40102261	2	13	40137504	18	62
40060989	12	5	40102264	18	60	40139752	4	65
40064839	40	29	40103560	36	18	40139754	24	1
40077851	26	26	40105821	30	2	40139771	24	3
40077852	26	16	40109422	16	45	40139772	24	4
40080725	36	43	40110376	8	45	40139786	4	66
40085784	34	2	40110379	16	43	40139787	32	1

NUMERICAL INDEX OF PARTS

PART NO	PAGE	REF NO.	PART NO	PAGE	REF NO.	PART NO	PAGE	REF NO.
40140080	4	63	B1521555000	12	2	RE0600000K0	20	34
40140189	24	2	B15240120BA	12	9	RE0900000K0	24	16
40140191	24	5	B1613012I00	16	33	RE1000000K0	30	12
40140419	8	37	B8228125000	30	26	RE1200000K0	24	20
40140491	24	6	CM300200001	2	12	RO029180100	8	35
40140492	24	13	D1524555EBL	36	29	RO037180100	12	3
40140991	26	14	D2404555B00	36	9	RO044240100	8	43
40140992	26	1	D2404555B00	40	9	RO078190100	18	59
40140994	26	2	D2406555D0H	20	10	RO092270200	16	16
40141076	38	46	D7133555B00	6	29	RO098240100	30	6
40141199	32	2	EA9500B0100	24	12	RO195240100	28	2
40141200	32	3	HK034610140	20	11	SD0460703TP	20	2
40141201	32	4	MDB100B1400	10	11	SD0460703TP	36	10
40141203	32	5	MDB100B2100	36	21	SD0460703TP	40	10
40141204	32	6	MDP500B2100	40	21	SD0500131TP	36	8
40141205	32	7	NM6040001SE	22	52	SD0500131TP	40	8
40141206	32	8	NM6050001SE	34	24	SD0600361SP	22	46
40141207	32	9	NM6060001SE	30	18	SD0630275SP	20	18
40141208	32	10	NS6090310SP	26	17	SD0640631TP	22	48
40141209	32	11	NS6090310SP	38	59	SD0641451SP	20	17
40141210	32	12	NS6090310SP	42	54	SD0650321TP	26	21
40141211	32	13	NS6110310SP	26	18	SD0700451TP	36	36
40141212	32	14	NS6110420SP	36	41	SD0700451TP	42	49
40141213	32	20	NS6110420SP	40	48	SD0700711TP	36	35
40141214	32	17	NS6110420SP	42	48	SD0700711TP	42	44
40141215	32	18	NS6120630SP	6	27	SD0720331SP	12	12
40141216	32	19	NS6150430SP	20	33	SD1000801SH	18	47
40141217	32	16	NS6620310SP	12	21	SE4301041SR	28	16
40141218	32	15	NS6680410SP	16	42	SL4030641SE	26	22
40141219	32	21	RC0150001KP	16	54	SL4030691SC	26	23
40141220	32	22	RC0150001KP	18	54	SL4030851SF	28	23
40141523	10	7	RC0560711KP	6	18	SL6051492TN	8	39
40143120	36	1	RC1850001KP	8	22	SL6052592TN	8	38
40143120	40	2	RE0250000K0	26	19	SM0050801SC	6	35
40148383	40	18	RE0400000K0	6	19	SM4051405SE	34	23
B1109552000	2	44	RE0400000K0	20	39	SM5040655SN	6	20
B1109552000	38	47	RE0400000K0	24	23	SM8040402TP	4	64
B1116210D00	30	4	RE0400000KP	24	18	SM8040802TP	6	21
B1213552000A	36	20	RE0500000K0	12	43	SM8050502TP	6	22
B1213552000A	40	15	RE0500000K0	14	43	SM80608A2TP	8	33
B1215552000	8	26	RE0500000K0	16	21	SM80608A2TP	42	75
B1418415H00	36	22	RE0500000K0	20	56	SM8061010TP	18	61
B1418415H00	40	22	RE0500000K0	22	56	SM8063012TR	30	10
B1505552000A	36	28	RE0500000K0	26	20	SM9061203SE	30	24
B1505552000A	40	28	RE0500000KP	24	28	SS2060210SP	20	8

NUMERICAL INDEX OF PARTS

PART NO	PAGE	REF NO.	PART NO	PAGE	REF NO.	PART NO	PAGE	REF NO.
SS2060210SP	36	11	SS6661110SP	8	17	WS0651310KP	28	27
SS2060210SP	40	11	SS6700710SH	30	5	WT0530002KS	4	56
SS2110915SP	4	46	SS7080510TP	10	9			
SS2110920TP	4	45	SS7090610SP	20	42			
SS4080620TP	16	34	SS7091110TP	12	6			
SS4080620TP	20	9	SS7110720SP	4	59			
SS4080620TP	36	2	SS7110740TP	18	53			
SS4080620TP	40	12	SS7110740TP	24	11			
SS4090615SP	8	19	SS7110740TP	40	31			
SS4110515SP	12	16	SS7120770SH	16	6			
SS4110515SP	16	37	SS7121410TP	18	56			
SS4110615SP	26	27	SS7121410TP	42	69			
SS4110715SP	20	28	SS7681650TP	8	44			
SS4110915TP	10	33	SS8090670SP	2	41			
SS4120615SP	2	62	SS8110410TP	10	13			
SS4120615SP	4	62	SS8110520TP	20	22			
SS4120615SP	12	27	SS8150710TP	2	42			
SS4120615SP	24	14	SS8150710TP	16	29			
SS4120615SP	28	4	SS8151150TP	8	1			
SS4120925SP	2	50	SS8660610TP	8	42			
SS4120925SP	4	50	SS8660610TP	18	63			
SS4120925SP	10	39	SS8660810TP	10	22			
SS4120925SP	26	30	SS8660810TP	12	37			
SS4150915SP	12	17	SS8681650TP	8	41			
SS4150915SP	22	47	TA0850604R0	2	5			
SS4150915SP	28	24	TA0850604R0	10	1			
SS4151215SP	22	57	TA1250406R0	4	49			
SS4151215SP	24	25	TA1250705R0	2	6			
SS6060210SP	4	54	TA2000502R0	2	16			
SS6080320SP	40	16	TA2100904R0	2	9			
SS6080410SP	2	3	TA2101002R0	2	19			
SS6090510TP	20	16	WP0371016SD	38	58			
SS6090540SP	26	24	WP0371016SD	40	34			
SS6090620TP	16	41	WP0450826SC	6	23			
SS6090670TP	10	5	WP0480856SP	18	57			
SS6090670TP	16	3	WP0482086SD	26	31			
SS6090910SP	12	38	WP0531001SC	34	22			
SS6110420TP	10	30	WP0621016SH	20	32			
SS6110610TP	4	48	WP0722316SH	36	31			
SS6110710TP	22	54	WP0722316SH	42	46			
SS6111010TP	28	25	WP1602616SZ	24	21			
SS6121610SP	42	72	WP1612616SE	34	15			
SS6121840SP	2	17	WS0410002KR	22	51			
SS6121860SP	16	5	WS0451040KP	28	8			
SS6660610TP	20	20	WS0510002KN	34	21			