

**INSTRUCTIONS FOR ADJUSTMENT AND SERVICING
AND LIST OF PARTS FOR SINGLE NEEDLE FLAT BED ZIGZAG
INDUSTRIAL SEWING MACHINE**

ZZ 568 H

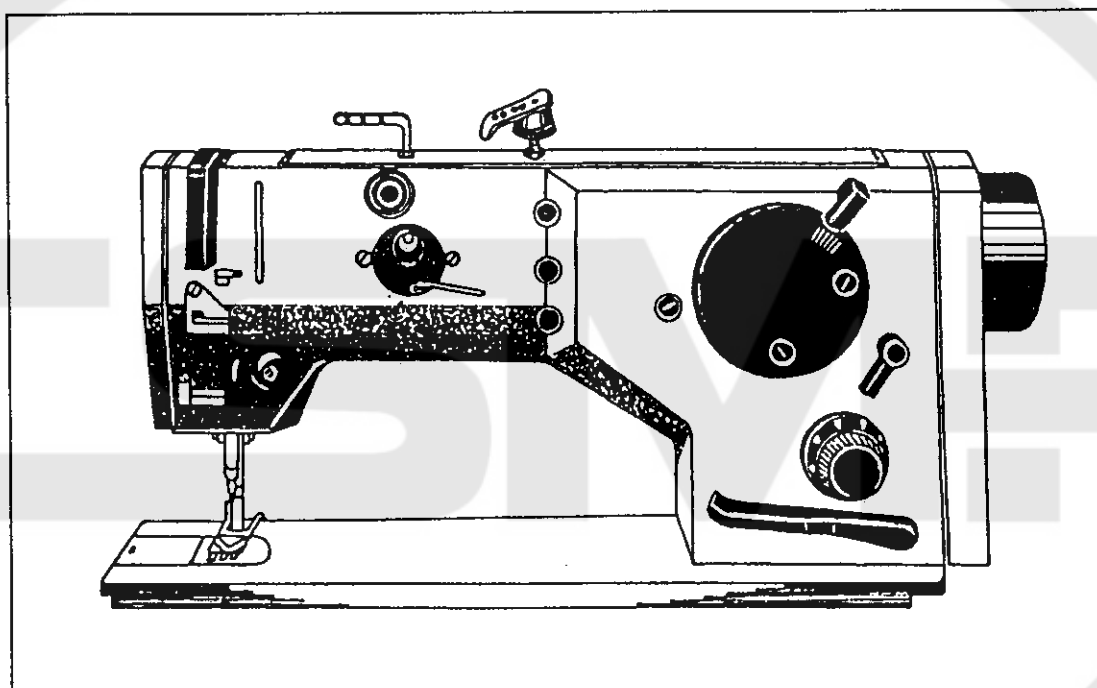
522 741 410 106 35



**SINGLE NEEDLE FLAT BED ZIGZAG INDUSTRIAL
SEWING MACHINE**

ZZ 568 H

522 741 410 106 35



Use of Machine

The machine is used chiefly for stitching upper clothing such as attaching top collar to the under collar tack, stitching collar corners, attaching collar to neck opening, and for other operations consisting in joining rather heavy materials.

Machine Equipments and their Use

| Ordering No. | Name |
|--------------------|--|
| 522 791 124 027 35 | Stitching set - throat plate with needle aperture 1.8 mm; needle Schmetz 134 - 35 No. 120 |
| 522 791 149 001 00 | Overedging equipment |
| 522 791 995 014 00 | Plug for the hole overedging operations |
| 522 792 112 010 00 | Built-in frictional bobbin winder |
| 522 794 222 010 00 | Suspension-type lighting of work area |

The Equipments are supplied on special order only.



| Example of application | Thickness of sewn work | Needle Schmetz 134 - 35 | Threads | RPM |
|----------------------------------|---|-------------------------|--------------------------------------|-------|
| zigzag stitch, width up to 10 mm | cotton 4 mm | Nos. 100 - 110 | cotton 14,5 tex x 2 x 2 | 3,800 |
| zigzag stitch, width up to 8 mm | cotton 5 mm | Nos. 100 - 110 | cotton 20 tex x 3 | 3,400 |
| zigzag stitch, width 6 to 10 mm | cotton 4 mm with seam crossing up to 8 mm | Nos. 130 | cotton 20 tex x 3 35.5 tex x 3 | 3,000 |
| zigzag stitch, width up to 10 mm | cotton up to 8 mm | Nos. 110 - 130 | cotton 20 tex x 3 35.5 tex x 3 | 2,500 |
| zigzag stitch, width up to 8 mm | blend materials up to 5 mm | Nos. 110 | PES 14,5 tex x 3 | 3,400 |
| zigzag stitch, width up to 10 mm | blend materials up to 8 mm | Nos. 110 - 130 | PES 25 tex x 1 x 2 25 tex x 1 x 3 | 2,500 |

With blend materials, high sewing speed makes the material melt and stick onto the needle, thus causing thread ruptures and skipped stitches. To prevent it, the machine speed should be adequately reduced.

I. INSTRUCTIONS FOR SERVICING OF MACHINE

A. GENERAL INSTRUCTIONS

1. Read the instructions of the manual carefully and adhere to them.
2. During transport and while unpacking the machine, proceed in accordance with the instructions and marks on the packing.
3. Report any damage which may have occurred during transport to the railway authorities or to the forwarding agents at once. Immediately after unpacking, check the contents against the order and report any discrepancies to us. We cannot recognise delayed claims.
4. Having transported the machine to its work site, remove the preserving grease coating and all dirt. Make sure that no machine part has become loose and that its mechanism is free of any foreign bodies.
5. Lubricate the machine daily!
Before lubrication, always check whether the lubrication places are clean. It is advisable to lubricate frequently in small quantities. Those parts of the machine which are subjected to increased friction or strain should be lubricated several times a day as needed. Top up the oil tank of the hook as needed.
6. Clean the machine daily, especially the parts which become choked by impurities from the sewn material. During the cleaning, carefully check that the machine parts have not become loose.
7. Once a week, during through cleaning, carefully check the whole machine to see that no parts are damaged and that all machine mechanisms operate correctly. Any faults ascertained must be repaired immediately. Once a year, a general overhaul should be carried out, i.e., the whole machine should be dismantled, thoroughly cleaned, all individual pieces and parts of electrical equipment inspected, and faulty or worn out pieces repaired or replaced.
8. Adhere to the safety regulations. Never clean the machine or repair defects while the machine is in operation. Do not remove covers or other safety devices.
9. Electrical equipment of the machine should be kept in a good and safe state in accordance with the electrotechnical and safety regulations. If the machine is provided with a plug always make sure before plugging in that all switches are off. Never try to repair any defects of the electrical equipment by yourself but call in an expert electrician.
10. We cannot assume any responsibility for faults resulting from non-observance of these instructions.

B. PACKING, UNPACKING, CLEANING AND LUBRICATION OF MACHINE

1. Packing of machine

The machine head is seated in a separate case, the stand either in crating or in a separate case (for severe climate conditions).

2. Unpacking of machine

When taking over the machine from the railway authorities or in the works ascertain whether it has arrived in good order. Report any damage which has occurred during the transport to the railway authorities or to the forwarding agents immediately. Unpacking should be carried out carefully so as to prevent damage to machine parts. Further check the accessories of the machine against the order and report any discrepancy immediately, as we cannot consider belated claims.

3. To set the machine on stand

After the machine has been brought to its work site, set it on the rubber washers of the stand. When seated properly, a gap of approximately 1.5 mm will appear between the bed plate and the rim of the stand plate on the whole of its circumference.

4. To set and fix the machine

Fix the machine using the levelling foot of the stand fitted with adjusting screw. Otherwise, the machine is designed as a stable unit with the stand requiring no fixing to the floor.

5. To clean and lubricate the machine (Fig. 1; Tabs. 16, 17)

Before putting the unpacked machine into operation, remove the protective grease coating and clean the machine thoroughly. For oiling all machine mechanisms and the hook is recommended heavy white vaseline oil with viscosity of $50 \text{ mm}^2 \cdot \text{s}^{-1}$ at 20°C . With an oil can, drip oil into the marked holes of the machine arm once a day, before the beginning of the work shift. Check also the level of oil at the indicator of the hook oil tank. The gear wheels of the hook gear box receive oil from the felt inlay situated on the gear box bottom. The hook and its mechanism should be cleaned several times a day. Apply two or three drops of kerosene to all soiled parts of the hook and of the surrounding mechanism, let the machine run at high speed, then stop it, wipe off flushed out dirt, and oil the hook with its mechanism with oil. This cleaning should be carried out daily, especially after the end of the work shift, in order to prevent dirt from drying on the hook and its mechanism. From time to time, use grease nipple to refill the shafts (7, Tab. 16) and (6, Tab. 17) with lubrication grease. Before proceeding to clean the machine, thread and take the hook bobbin out of the hook. Once a week, the machine should be thoroughly freed of settled oil and of all impurities.

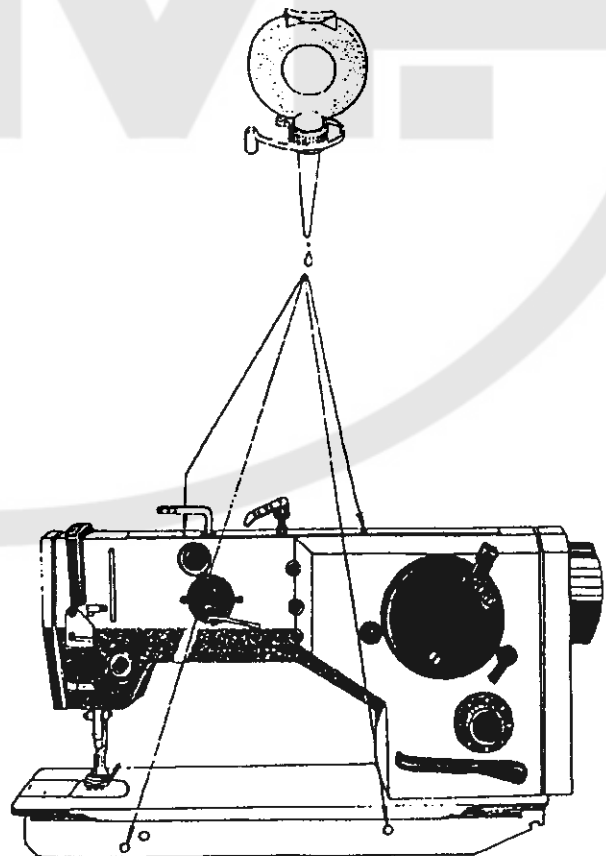


Fig. 1



Warning !

Before proceeding to clean and lubricate the machine, be sure to switch off the main switch and hold your feet away from the machine stand treadles in order to avoid accidental machine start by treadle actuation.

6. To adjust the hook lubrication (Fig. 2)

To adjust the oil flow to the hook, turn with a screwdriver the adjusting pin (1), located on the front side of the oil tank under the bed plate, from zero to maximum (to the left, anticlockwise). Adjusted at zero, the regulation still provides for a minimum oil flow to the hook preventing it from seizing. After the machine has been put into service, check at regular intervals the oil level both in the hook oil tank and in the oil tank situated on the machine arm.

Caution !

At the beginning of work after a relatively long interval, e.g., at the beginning of the morning shift, it is advisable to remove from the hooks the gathered superfluous oil, either by letting the machine run idly for a short period time or by producing a few stitches (20 cm approximately) on a test material, to prevent the threads and, consequently, the sewn work from getting soiled by oil.

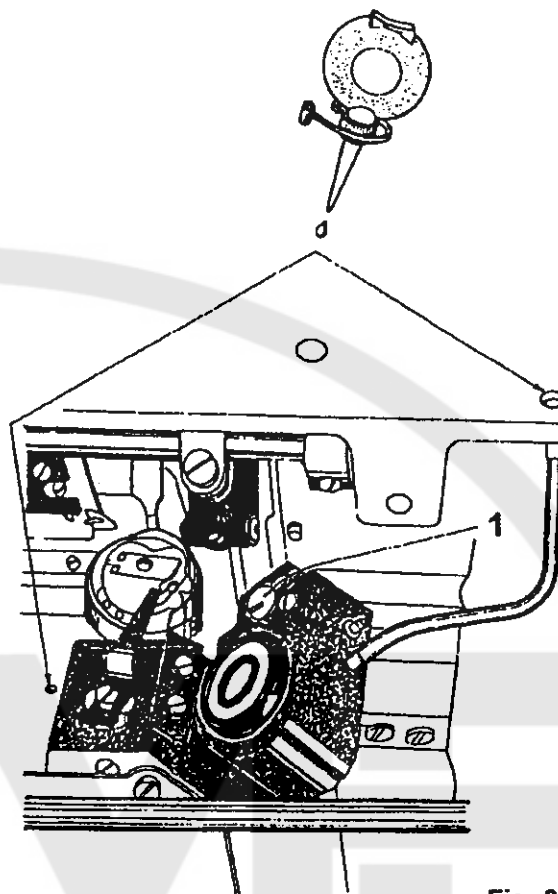


Fig. 2

C. TO PREPARE THE MACHINE FOR SEWING

1. General inspection

Inspect the machine thoroughly for loose parts as well as for the presence of foreign bodies. Rotating the hand wheel by hand, check first whether it revolves freely and whether the machine is adjusted correctly. Further check the correct working of the mechanism controlling the lifting and sinking of the presser foot by means of the knee lever, and the reverse stitching by means of the hand lever or of the left treadle.

2. Sense of rotation

The handwheel must turn in the direction of the red arrow on the belt guard.

3. Electrical equipment

An electrician connects the machine to the mains. Switch on the electric motor and check whether the pulley turns in the correct direction, i.e., to the left. If this is not the case, the plug of the lead-in cable must be taken out and the cable must be switched over on the plug or on the terminal board of the electric motor. An incorrect sense of rotation of the pulley is inadmissible.



Warning !

Avoid any intervention into the electrical equipment of the machine but call in an electrician. Unqualified intervention involves the risk of accident by electric shock.

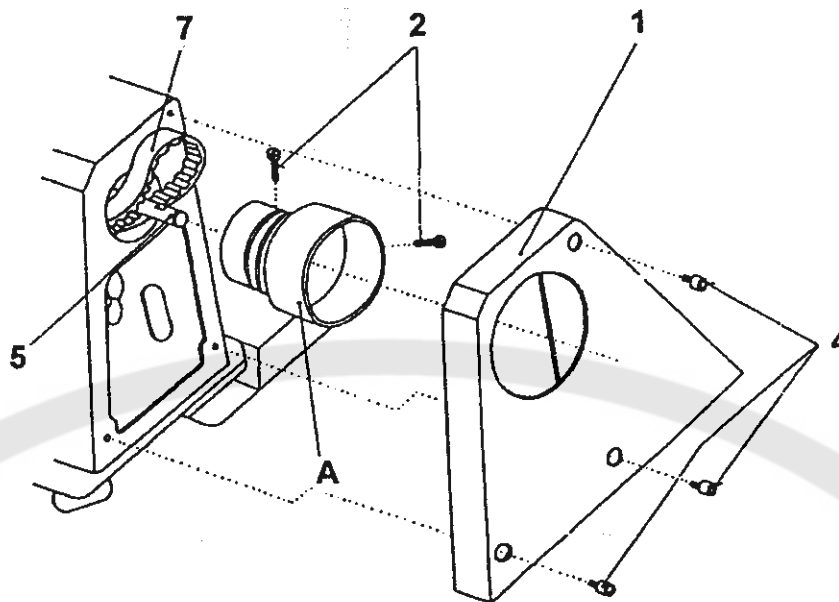


Fig. 3

4. V-belt and its tension (Fig. 3)

The V-belt can be easily tensioned by means of the electromotor that can be displaced in the guiding of its holder after the loosening of two screws. The correct belt tension ensures transmission of full power with losses reduced to minimum. To check the tension of the V-belt, depress it lightly in the middle part between the hand wheel and the pulley; if the belt tension is correct, the pressed-on part will yield some 20 mm sideways. Excessive tension of the V-belt reduces the machine output and increases both the power consumption and the wear of bearings. To remove the V-belt, proceed as follows: Tilt the machine head, screw out the screws (4), remove the upper belt guard (1), and from the lower belt guard the sheet piece fixed by screws to the stand plate and protecting the V-belt from falling out the groove of the pulley, remove the V-belt, mount a new one onto the pulley of the electromotor, fix it by attaching back the sheet piece, pass it between the tank and stand plate, and insert it into the hand wheel groove. Lift the machine to its operational position, check the V-belt for correct tension, and mount the upper belt guard.

5. To lift the presser foot (Fig. 4)

The lifting and sinking of the presser foot is controlled by the knee lever mechanism. To lift the presser foot and to lock it in the lifted position, the hand lifting lever (12) situated at the rear side of the machine arm also can be used. To sink the presser foot onto the sewn work, first slightly depress the knee lever thus disengaging the locking of the lifted presser foot by tilting the hand lever, and then release the knee lever to let the presser foot sink onto the sewn work. Never start the machine if the presser foot has been sunk onto the throat plate directly, with no material interposed between them.

6. Needles and threads

The machine requires the use of needles Schmetz 134, 134 LR and 797 CFCF Nos. 110 - 130. Considering the high machine performance and the resulting needle heating, it is advised to use chromium plated needles.

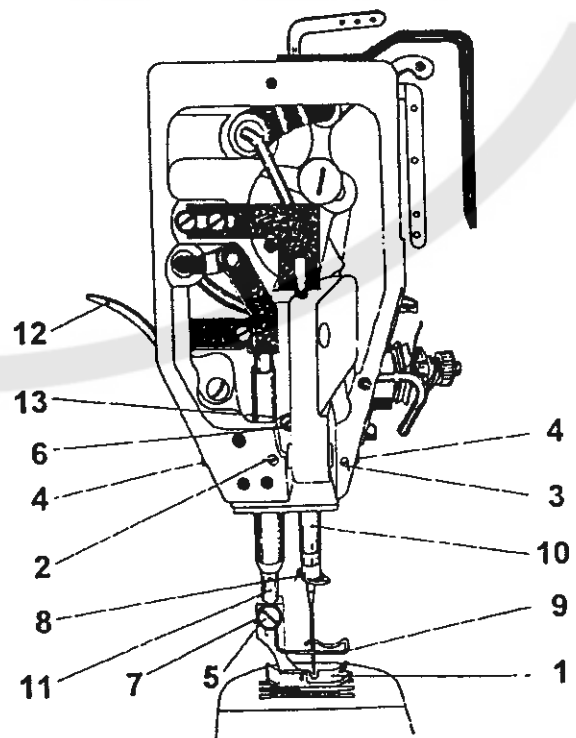


Fig. 4

The size of the needle depends on the size of the thread, since it must pass freely through the needle ear. It is advisable to choose a rather thin needle, just permitting the free passage of the thread through the needle ear but helping to prevent the upper thread from being threaded out of the needle ear at the beginning of stitching after the previous thread trimming. The needle size should be adequate to the thickness of sewn work. A needle too thin with respect to the thickness of sewn work is subject to excessive strain (impacts at the needle punches into the work, upper thread tension, heat generated by friction between the needle and the sewn work, etc.) and exposed to the risk of deviations from the correct needle course followed by irregular formation of the upper thread loops and resulting in skipped stitches. Only high-class threads should be used. Especially suitable are conical cross-wound bobbins. S-twist threads should be used for the needle, while both S-twist and Z-twist thread is suitable as lower thread. A coarse thread or one which has to overcome considerable resistance when passing through the needle ear reduces the machine performance and increases its trouble incidence. With synthetic threads, the sewing speed should be reduced accordingly, to prevent the threads from melting.

7. To insert the needle (Fig. 4)

To facilitate the needle insertion, sink the presser foot onto a bit of material and rotate the hand wheel toward you until the needle bar has reached its top position, i. e., until the greatest possible distance between the needle bar and the throat plate has been obtained. Loosen the screw (8) on the lower part of the needle bar and insert the needle up to the stop. Be sure that the long groove of the needle is directed toward the operator. Looking through the cross slot provided in the needle bar check whether the needle shaft has reached the bottom of the needle channel, and fix the needle by tightening the screw. Each time you insert a new needle check whether it is straight and whether it passes through the centre of the needle aperture provided in the throat plate. Never use a needle chosen haphazardly but choose it with respect to the character of the sewn work and to the thread size.



Warning !

Before proceeding to exchange the needle, be sure to switch off the main switch and hold your feet away from the machine stand treadles in order to avoid accidental machine start by treadle actuation.

8. To thread the upper thread (Fig. 5)

Put the bobbin on the bobbin stand, unwind a sufficient portion of it, and pass it through the thread guide of the bobbin stand, then through the thread guides (4) and (1) between the tensioner disks (8), then lead it through the adjusting spring (2), the thread guides (3 and 6), and the auxiliary thread guide (9) into the thread take-up lever (A), then downwards through the thread guide (6) and the lower thread guide (7) to the thread guide (5) on the needle bar, and from there to the needle. Insert it into the needle ear from the front side (i. e., from the side of the operator) to the rear side.



Warning !

Before proceeding to thread the machine, be sure to switch off the main switch and hold your feet away from the machine stand treadles in order to avoid accidental machine start by treadle actuation.

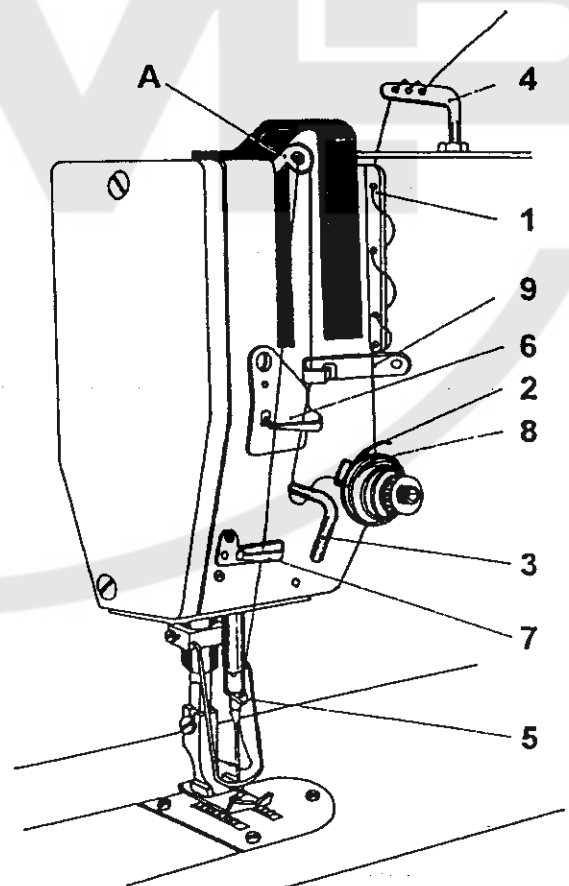


Fig. 5

9. To wind the hook bobbin (Fig. 6)

To wind the lower thread on the hook bobbin, a built-in bobbin winder, supplied separately as Equipment No. 522 792 112 010 00, can be mounted onto the front side of the machine arm. Lead the thread from the bobbin stand through the apertures provided on the arm of the bobbin stand and in the thread guide (6) to the bobbin mounted on the winder shaft, wind it a few times anticlockwise on the bobbin, lead the thread end to the spring (2), insert it between the spring coils, and apply mild pressure so as to cut it by the knife situated inside the spring. When mounting the bobbin on the winder shaft be sure that the carrier spring enters the notch of the bobbin front. Swinging the control lever (5) between the bobbin fronts will render the bobbin winder operative. Switch on the electric motor and depress the right treadle to start the machine and by this the winder as well. During the winding, the thread is evenly distributed along the whole of the bobbin width. As soon as the bobbin is fully wound, the control lever springs off thus disconnecting the winder drive and braking the winder shaft. The winding is completed. Using the knife mounted in the spring (2) cut off the threads end. For timing the winding stop, loosen the screw (4) of the control lever (5) mounted on the disconnecting pin (3), hold the disconnecting pin in its position with a screwdriver and adjust the angular position of the control lever on the disconnecting pin as required.

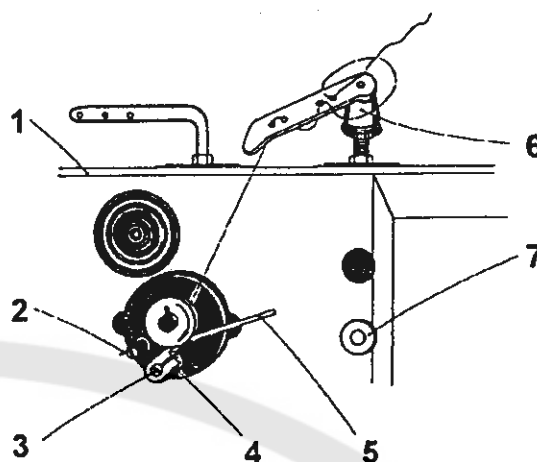


Fig. 6

10. To take out the hook bobbin

Rotate the hand wheel until the thread take-up lever has reached its top position. With your left hand, open the lock of the bobbin case and take the bobbin case out. As long as the bobbin case lock is open the bobbin is held in the bobbin case. Release the lock and take the bobbin out of the bobbin case. Loosen the lock, turn the bobbin case upside down, and the bobbin will fall out.



Warning !

Before proceeding to exchange the bobbin of the hook, be sure to switch off the main switch and hold your feet away from the machine stand treadles in order to avoid accidental machine start by treadle actuation.

11. To thread the lower thread

Insert the fully wound bobbin into the bobbin case and the thread end first into the notch of the bobbin case and then under the pressure spring of the bobbin case. Insert the bobbin case with the bobbin into the hook. To prevent the bobbin from falling out of the case, while being inserted into the hook, tilt the lock fixing the bobbin in the case. With your thumb, push the bobbin case in until you hear a short distinct sound. The correct position of the bobbin case in the hook signalled by this sound is very important, because otherwise a needle rupture or another breakdown could occur at the following machine start.

12. To catch the lower thread

Grasp lightly with your left hand the end of the upper thread without stretching it. With your right hand revolve the hand wheel towards you until the threaded needle reaches subsequently its bottom and top positions, thereby catching the lower thread. Draw then lightly the upper thread until the lower thread shows through the aperture provided in the throat plate. Lay the two thread ends in the direction behind the needle. While threaded, the machine may be started only after a bit of material has been inserted under the presser foot. Both when starting and when finishing the sewing, the thread take-up lever should be placed in its top position to avoid the risk that the upper thread in its top position to avoid the risk than the upper thread will thread out and possibly catch in the hook course.

13. Sewing - work proper

Insert the material to be sewn under the presser foot and switch on the electromotor. Start the machine by gradually depressing the right treadle. The sewing speed increases up to the maximum obtained with the treadle has reached its lowest position. By releasing the treadle, the clutch of the electromotor is disengaged, the electromotor braked, and the machine stopped. During the sewing, avoid pulling the material but guide it only. By pulling the material, you bend the needle with the risk of breaking it in case of a collisions with the edge of the needle aperture provided in the throat plate. Repeated collisions of this kind burr the needle aperture which, in its turn, causes thread ruptures. After the machine stop, set the needle to its top position, lift the presser foot, remove the sewn work from under it, and cut the two threads with scissors. After that, the machine is ready for stitching another seam.

To observe:

Having put the new machine in use do not charge it fully from the very beginning. During the first two or four weeks, when the machine is running-in, increase its speed gradually from about 3 000 stitches per min. and check carefully its running. Throughout this time, pay special attention to the machine lubrication. By keeping to these rules you will obtain a long service life and perfect precision of the machine even at its full performance.

II. INSTRUCTIONS FOR ADJUSTMENT OF MACHINE MECHANISMS

This section of the Manual describes adjustments of the type that can be carried out on the work site. Larger adjustments, requiring more time, should be carried out by a skilled sewing machine mechanician.

1. Stitch length adjustment (Fig. 7)

The stitch length can be steplessly adjusted by turning the knob (4) provided on the column of the machine arm, from zero to 5 mm. By turning it in the sense of the arrow "A" (i. e., to the right), you increase the stitch length, by turning it in the sense of the arrow "B" (i. e., to the left), you decrease it. For reverse stitching, depress either the left treadle, or the hand lever (1) towards the machine bed plate. When released, the lever automatically resumes its previous position and the machine restarts forward stitching.

2. To adjust the zigzag stitch width (Fig. 7)

Before any adjustment of the zigzag stitch width, the machine must be stopped with the needle outside the sewn work. The locking lever (5) must be turned to the left (anticlockwise) and held there until the adjustment is carried out, because its normal position, i. e., turned to the right, serves to lock the adjusted stitch width. The stitch width can be adjusted steplessly from zero to 10 mm by means of the lever (3) protruding over the cover of the zigzag stitch mechanism. By displacing the lever to the right, i. e., towards the hand wheel, you increase the zigzag stitch width up to the maximum, by displacing it to the left, you decrease it down to zero. Lock the adjusted stitch width by displacing the locking lever (5) to the right.

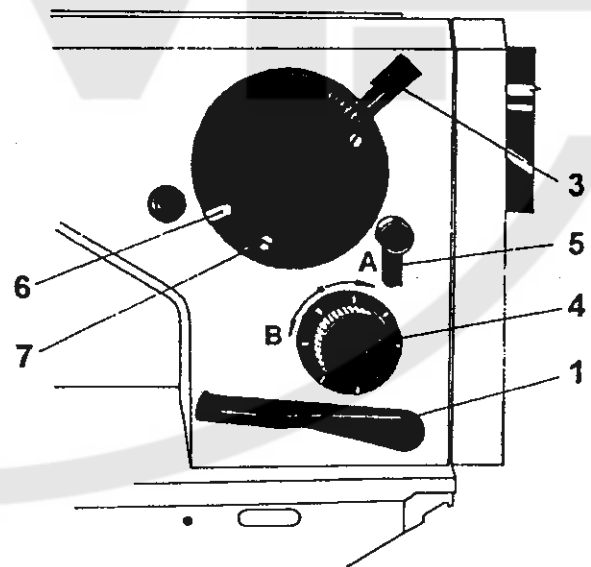


Fig. 7

3. Thread tension adjustment

The tension of the upper and the lower thread must be so interrelated that the stitch binding place in the middle layer of the sewn material. To adjust the upper thread tension, turn the tensioner nut either to the right, i.e., clockwise, to increase the tension, or inversely, to decrease it. To adjust the lower thread tension, use the screw situated in the middle part of the pressure spring on the bobbin case. By turning the screw to the right you increase the pressure of the spring on the bobbin case and, consequently, the tension of the lower thread that passes between the spring and the bobbin case, and inversely. If the lower thread tension has been originally adjusted correctly, the adjustment of the upper thread tension by means of the tensioner nut will be sufficient, as a rule, to resort to the desired quality of stitching.

4. To adjust the feed-dog height above the throat plate (Fig. 8)

The height of the teeth of the feed-dog (A) should be adjusted to 0.8 - 1.2 mm, according to the kind of sewn material. To adjust it, loosen the screw (2) of the lifting lever (8) on the shaft (6), adjust the required height of the feed-dog teeth, and retighten the screw thoroughly with a screwdriver. To adjust the teeth horizontally, loosen the screw (1) of the feed lever (9) on the shaft (7) and adjust the rear part of the teeth by correspondingly adjusting the angular position of the eccentric pin (5), then retighten the screw (1).

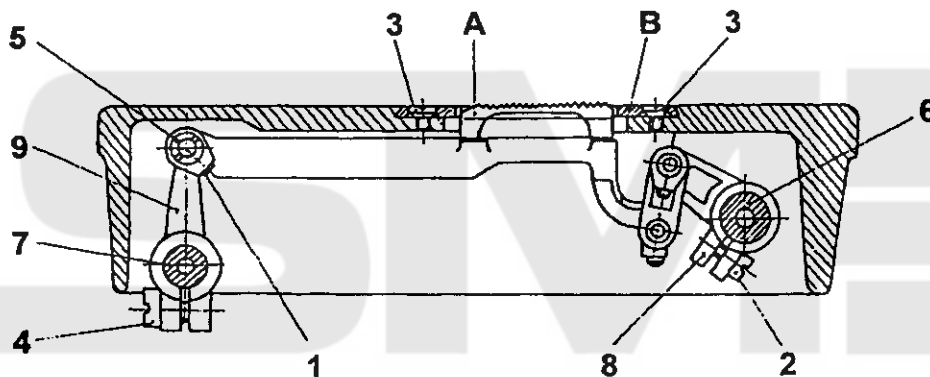


Fig. 8

5. To adjust the movement of the needle with respect to the feed-dog

Loosen the two screws of the lower belt wheel and turn by hand the hand wheel so as to set the feed-dog to a position in which the feeding movement ends and the feed-dog teeth are at a level with the throat plate, then rotate the hand wheel so as to position the needle point, during its downward movement, approximately 5 mm above the throat plate, and retighten the screws of the belt wheel.

6. To adjust the throat plate (Fig. 8)

The throat plate (B) must be properly seated and fixed by screws (3) in a position ensuring that the needle passes through the centre of the needle aperture. The needle aperture must not be burred or otherwise damaged since it would unfavourably affect the quality of stitching.

7. To adjust the presser bar pressure

The presser bar pressure is actuated by the adjusting screw located under the upper cover of the machine arm and accessible through a hole provided in the latter. By turning the adjusting screw to the right increase the pressure, by turning it to the left, decrease it. The pressure of the presser foot must be sufficient to ensure reliable and continuous feeding even at the top speed. On the correct adjustment of the presser bar pressure depends the uniformity of damage-free feeding as well as that of the stitch length.

8. To adjust in height the needle bar (Fig. 4)

The hook must be so interrelated with the needle that at the moment when the hook point begins to take up the upper thread loop, the upper edge of the needle ear is approximately 0.6 mm under the hook point, at the maximum stitch width and in the left position of the needle bar. If the needle bar height is not adequate to this requirement, loosen the respective screws, remove the front plate, loosen the screw (6) of the carrier (13) of the needle bar (10), adjust the needle bar correctly, and mount the front plate.

9. To adjust the hook course

Adjust the stitch width to zero and turn the hand wheel towards you until the needle bar reaches its bottom position and reascends by $2.8 + 0.2$ mm. In this position the hook point must lie in the needle axis, and the distance between the needle and hook must be 0.1 mm or less. If it is not the case remove the throat plate, loosen the screws, adjust the angular position of the hook on the hook shaft, retighten the screws, and mount the throat plate.

10. To adjust the hook holder (Fig. 2)

After the hook course adjustment, loosen the fixing screw and adjust the hook holder (2) so as to obtain a gap of approximately 0.7 mm between the holder lug and the bottom of the inner part of the hook.

11. To adjust the elliptical path of the feed-dog movement (Fig. 8)

If the machine is adjusted correctly the feed-dog describes an elliptical path both with forward and with reverse stitching. The adjustable eccentric is positioned by means of a pin in the aperture of the lower shaft and commands the length of feeding. Another eccentric, stationary and situated in front of the adjustable one, commands the correct interrelation between the major and the minor axe of the ellipse. The stationary eccentric is secured by two screws located in its collar. The eccentricity of the stationary eccentric is constant so that the height of the height of the ellipse remains the same regardless of the height adjustment of the feed-dog teeth. The adjustment should be carried out as follows: When the eccentricity of the adjustable eccentric equals zero (so that no feeding takes place) adjust the feed-dog holder with the feed-dog to the centre of the slot provided in the throat plate, having first loosened the screw (4) of the lever (9) on the feed shaft (7). Ensure that the feed-dog reaches its top height about the middle of the feed-dog movement.

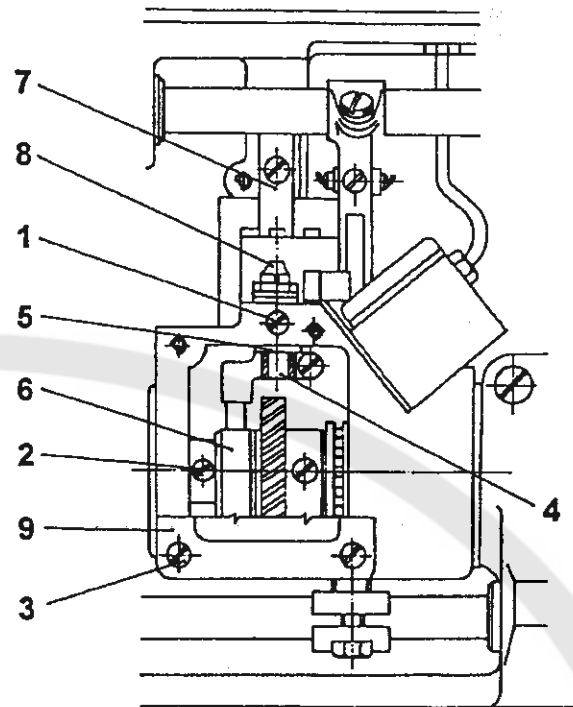
12. To adjust the length of feeding

Loosen the screw of the lever on the pin of the reverse stitching hand lever, set the stitch length regulation knob to its zero position, adjust the traversable sleeve of the adjustable eccentric to a position corresponding to zero, retighten the screw of the lever, and check whether the feeding is equally long at forward and reverse stitching.

13. To adjust the hook opening (Fig. 9)

During the stitching, the gap between the sides of the groove provided in the inner part of the hook and the hook holder (7) is positively periodically opened by means of the opening lever (8) and of eccentric (6) to facilitate the movement of upper thread when leaving the hook. The eccentric is situated on the hook box at the end of the lower shaft. Adjust first the gap between the lug of the hook holder and the recess provided in the inner part of the hook, and simultaneously, the opening lever, i. e., the axial play between the lug of the opening lever and the face of the inner part of the hook. Screw out first the four screws (3) of the hook box cover (9), remove the cover, and take the lubrication inlay out of it. For adjustment, loosen the screw (1) fixing the position of the bobbin case (5) contacted by the pin (4) with the opening lever and adjust a gap of 0.8 mm between the lug of the opening lever and the lower surface of the hook by tapping lightly on the opening lever. At the same time, set the opening lever so as to produce a gap of 0.5 mm between the recess of the inner part and the hook holder required to let the thread pass. Having adjusted the opening lever, retighten the screw (1).

Before proceeding to carry out the adjustment, remove the throat plate. The timing of the opening lever with respect to the looper is best carried out only while the machine is being sewn off. Loosen the two screws (2) of the eccentric (6) and set its angular position on the lower shaft so as to time the opening of the inner part of the hook to begin prior to the moment when the upper thread begins to pass across the recess of the inner part of the hook and the lug of the hook holder. Check also the correct passage of the upper thread around the hook bottom, when the opening lever approaches the opening lug to open the passage around the inner part of the hook for the upper thread. The correct adjustment is best checked on the adjusting spring that must only slightly move while the thread passes freely. After the adjustment of the eccentric, retighten its screws, insert the lubrication inlay, and mount the cover of the hook box.



14. To exchange the presser foot (Fig. 4)

Fig. 9

To exchange the presser foot (1), first lift the presser bar (11) to its top position and lock it by the hand lifting lever (12). Lift also the needle to its top position, then loosen the attachment screw (5) of the presser foot together with the washer (7), and remove first the finger guard (9) and then the presser foot from the presser bar. To insert the presser foot, proceed inversely. Having fixed a new presser foot check, in its top position, whether the needle bar, during its movement, does not collide with the presser foot.

15. To dismantle and mount the drive belt (Fig. 10)

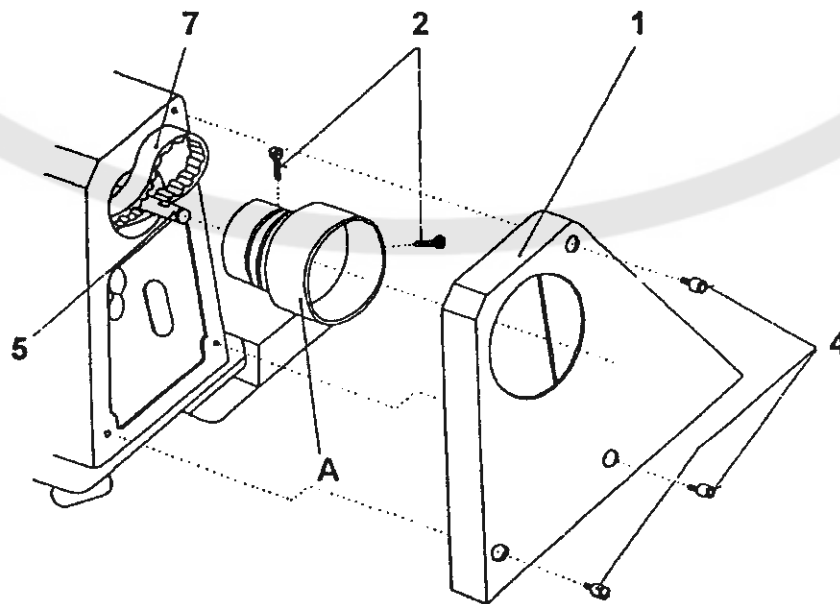


Fig. 10

Screw out the three screws (4), remove the belt guard (1) from the machine arm, tilt the machine head onto the supporting pin situated on the bed plate, take the V-belt out of the hand wheel groove, loosen the two screws (2), and remove the hand wheel from the machine arm and from the upper shaft (5). Pass the drive belt (7) through the aperture thus created in the machine arm, set it on the two belt wheels, and mount the complete hand wheel back on the upper shaft in such a position that the first screw (2), considered in the sense of rotation of the hand wheel, comes to sit on the small surface of the upper shaft, when tightened. Retighten the screws (2) of the hand wheel, tilt the machine back to its operational position, i.e., into the rim of the stand plate, and mount the belt guard.

16. To adjust the needle punches longitudinally into the centre of the slot of the throat plate (Fig. 4)

Adjust the zigzag stitch to the zero width and turn the handwheel until the needle bar with the needle reaches its bottom position. The needle should be in the centre of the throat plate slot both longitudinally and transversely. In case of longitudinal deviation (i.e., in the feed direction of sewn work) screw out the two screws of the front plate, remove the latter, loosen the securing screws (2 and 3), and finely adjust the angular position of the screws (4) both on the front and on the rear side of the machine arm so as to set the needle longitudinally into the centre of the front plate slot. Retighten the screws (2 and 3) and mount the front plate.

To observe:

When tightening the adjustment screws (4) for adjusting the needle position, do not tighten them completely but leave a minimum play between them and the needle bar holder in order not to obstruct the transverse movement of the needle bar holder required for the zigzag stitch.

Absence of play between the adjusting screws (4) and the needle bar holder involves the risk of damages to the needle bar mechanism.

17. To adjust the needle punches transversely into the centre of the slot of the throat plate (Tabs. 1, 3)

Adjust the zigzag stitch to the zero width and turn the hand wheel until the needle bar with the needle reaches its bottom position. In this position, the needle should be at the centre of the groove both in the transverse and in the longitudinal direction. If this is not the case, screw out the screw (26) and take the cover (25, Tab. 1) out of the front part of the machine arm, and the opposite plug, out of its rear part. Then loosen with a screwdriver the two screws (27, Tab. 3) and adjust the complete needle bar holder (4) so as to set the needle at the centre of the throat plate groove, and reinsert the cover and the plug. Check the needle punch position at the maximum stitch width and be sure that there is a play between the needle and the slot side in each lateral position of the needle. With zigzag stitch width adjusted at zero, the needle bar with the needle should react with no lateral movement to the hand wheel rotation. If it does react, the basic zero position of the zigzag stitch drive mechanism should be adjusted by an experienced sewing machine mechanic since such adjustment is rather extensive.

18. To adjust the needle bar lateral movement (Fig. 11)

If the machine is adjusted properly the needle bar begins to carry out its lateral movement, even at the maximum width of the zigzag stitch, only after the needle reascends by about 4 mm above the throat plate. For correct adjustment, screw out the four screws (6), remove the upper cover (1), loosen the screws (2) of the gear wheel (3) on the upper shaft (4), adjust the angular position of the handwheel accordingly, retighten the screws (2) thoroughly, and mount the upper cover (1) by screwing in the four screws (6).

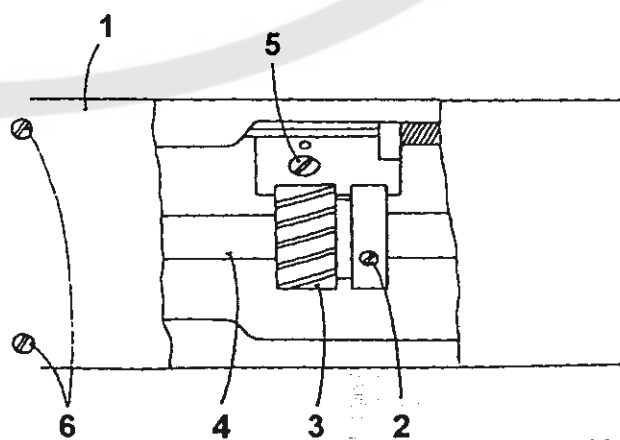


Fig. 11

19. To adjust the control force required for stepless adjustment of the zigzag stitch width (Figs. 12, 13)

For the stepless tilting of the zigzag stitch bracket, the inlay (10, Fig. 12) of the body of the zigzag stitch mechanism contains the braking roller (1) with the spring (5) and with the adjustment screw (8). Turning the screw to the right increases the pressure exerted on the roller and, consequently, the force required to adjust the stitch width. A mechanism actuated by the lever (7) serving to fix the adjusted stitch width must be turned to the left prior to proceeding to the stitch width adjustment which is carried out by the lever (2) whose extreme left position, defined by a stop, produces the zero zigzag stitch width that can be increased up to 10 mm by displacing the lever to the right. The number marking on the cover (1, Fig. 13) shows the approximative stitch width value at each lever position. To adjust the control force, first take the complete zigzag stitch mechanism out of the machine arm column. For this purpose, screw out the two screws (2) from the body of the mechanism, remove the cover (1), screw out the three attachment screws (3, Fig. 12) from the body of the zigzag stitch mechanism, then screw out the securing screw (3, Fig. 13) on the pin (5), remove the pin from the guiding (4), loosen the fixing lever (7, Fig. 12) and take the pin (6, Fig. 13) out of engagement, thus releasing the body of the zigzag stitch mechanism that can be then taken out of the machine arm. For the assembly, proceed inversely.

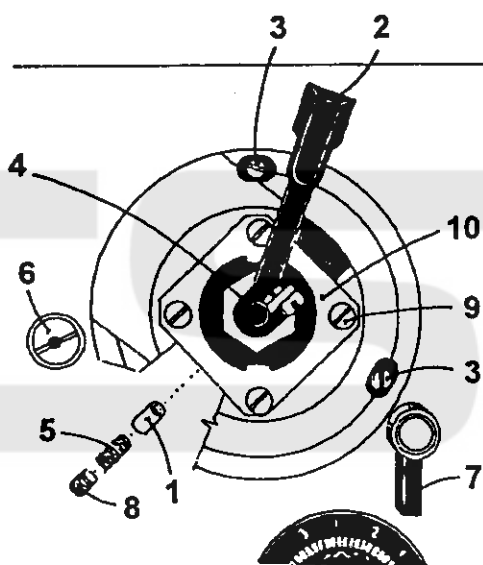


Fig. 12

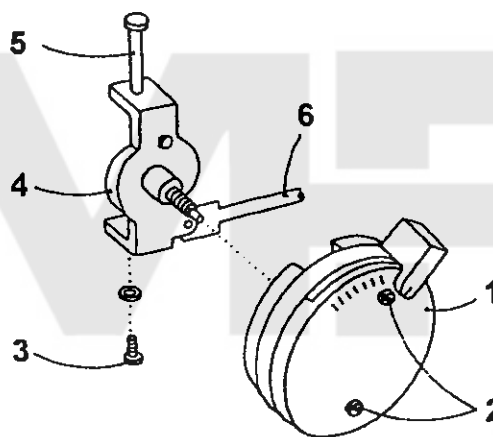


Fig. 13

20. To adjust the tooth play of the zigzag transmission mechanism (Figs. 11, 12)

The tooth play of the zigzag stitch transmission mechanism is actuated by the eccentric pin (6, Fig. 12). To adjust the tooth play, first screw out the four attachment screws (6, Fig. 11), remove the upper cover (1), and loosen the screw (5) located in the lug of the machine arm. By turning then the eccentric pin (6, Fig. 12) adjust the tooth play of the zigzag transmission mechanism, i. e., between the complete cam and the gear wheel (3, Fig. 11) mounted on the upper shaft (4), then lock the adjusted position by thoroughly tightening the screw (5).

21. To adjust the position of the needle bar with respect to that of the hook shaft (Figs. 14, 15)

After a substantial adjustment of machine mechanism should be checked the median (vertical) needle bar position with respect to that of the hook shaft. The hook shaft axis is displaced to the left of the needle bar axis. For adjustment, loosen the two screws (1, Fig. 14) ensuring the locking joint between the bed plate and the hook gear box. In correct position, the hook gear box is in direct contact with the lug of the bed plate. Lock the gear box position by tightening the two screws (1).

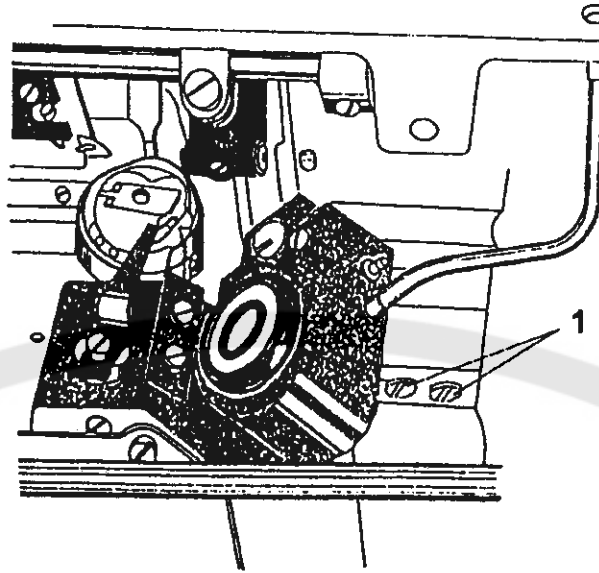


Fig. 14

To observe:

If the gear box of the hook has been removed be sure to reinstall it so as to ensure the parallelism of the hook shaft axis with the bed plate plane. Check the parallelism for instance by means of two shafts laid onto the upper surface of the bed plate and onto the worked surface of the gear box, and measure the value (B, Fig. 15).

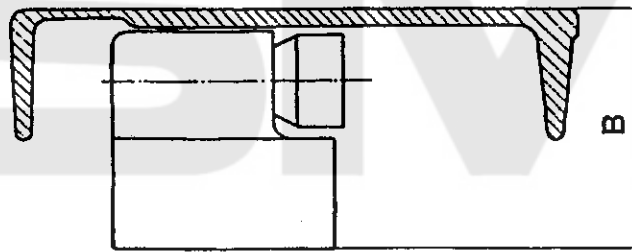


Fig. 15

22. To adjust the operation of the adjusting spring (Fig. 16)

Loosen the screw (1) and take the complete upper thread tensioner out of the machine arm. To adjust the tension of the adjusting spring (2), loosen the screw (3) on the bushing (4) and adjust the angular position of the pin (5). Turning the pin to the left will decrease the spring tension, and inversely. By this adjustment is adjusted the spring arm stroke as well. Displace the right-side sliding plate, sew a few stitches, and check the adjustment of the adjusting spring. With correct adjustment, the thread passing around the hook bottom shall produce a slight movement of the adjusting spring without being stretched.

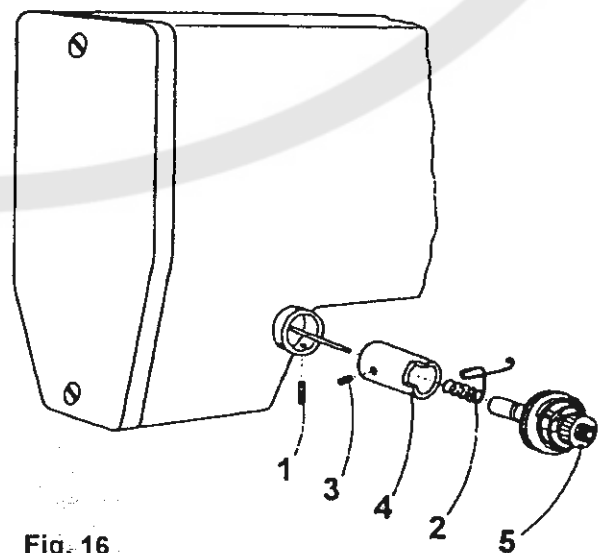


Fig. 16

23. Electrical equipment of machine

The machine is fitted with an electromotor mounted in the machine stand. The electrical equipment of the machine should be kept in good state according to the electrotechnical and security regulations. To change the sense of rotation of the electromotor change over the lead-in cable either at the plug or at the terminal board of the electromotor. In the latter case, do not omit first to take the plug of the lead-in cable out of the socket.



Warning !

Avoid any intervention into the electrical equipment of the machine but call in an electrician. Unqualified intervention involves the risk of accident by electric shock.

III. MAINTENANCE

1. Machine cleaning

Plain machine lines help to keep clean outer machine parts. From time to time, it is necessary to remove the waste between the feed-dog and the throat plate. Otherwise, the machine should be cleaned daily.



Warning !

Before proceeding to clean and lubricate the machine, be sure to switch off the main switch and hold your feet away from the machine stand treads in order to avoid accidental machine start by treadle actuation.

2. General overhaul and repair of the machine

Should be carried out once a year. The machine should be set out of operation, cleaned, dismantled, faulty pieces exchanged and due repairs carried out. The machine should be then assembled and tested. The electromotor and the electrical equipment should be inspected and tested. The general overhaul of the machine should be carried out so thoroughly as to enable the machine to run without major defects for another year.

3. To store the machine

After the machine has been set out of operation, it should be cleaned, inspected, and faulty pieces exchanged, if any. The machine should be then tested, coated with protective grease, and stored with all the tools and accessories.

IV. FAULTS AND HOW TO REMOVE THEM

| Fault | Cause | Removal |
|--------------------------|--|--|
| a) Heavy machine run | The machine has been out of use for considerable time, dried oil and impurities deposited in the bearings. | Inject some drops of kerosene into all lubrication holes and on sliding surfaces and let the machine run rapidly so as to clean the lubrication holes in the bearings. Then oil the machine carefully (see par. 5, page 6). |
| b) Slow machine start | Insufficient belt tension. | Increase the belt tension by tilting the electromotor. |
| c) Upper thread breakage | <ol style="list-style-type: none">1. Slashed thread guides.2. Too sharp hook point.3. Faulty feeding.4. Faulty upper thread guiding or needle threading.5. Incorrect upper thread tension.6. Bad needle quality or bent needle.7. Thread size is inadequate to the thickness of sewn material.8. Machine considerably soiled. <ol style="list-style-type: none">9. Thread wound on the hook.10. Thread is too thin or not strong enough. | <ol style="list-style-type: none">1. Ascertain and exchange them.2. Repair it.3. Adjust it see par. 5, page 12.4. Thread the upper thread correctly see par. 8, page 9.5. Adjust it see par. 3, page 12.6. Exchange the needle see par. 7, page 9.7. Use adequate thread. <ol style="list-style-type: none">8. Unscrew the throat plate, clean the mechanism, and set the throat plate see par. 6, page 12.9. Remove the thread.10. Use adequate thread. |
| d) Lower thread breakage | <ol style="list-style-type: none">1. The thread is incorrectly threaded into the bobbin case.2. Thread is too thin or not strong enough.3. Thread is wound incorrectly on the bobbin.4. Damaged bobbin.5. Too sharp pressure spring on the bobbin case. | <ol style="list-style-type: none">1. Thread it correctly see par. 11, page 10.2. Use adequate thread. <ol style="list-style-type: none">3. Wind it on the bobbin correctly.4. Exchange it.5. Exchange the spring. |
| e) Skipped stitches | <ol style="list-style-type: none">1. Needle inserted incorrectly.2. Blunt or bent needle.3. Slashed or broken hook point.4. Excessive needle aperture in the throat plate. | <ol style="list-style-type: none">1. Insert it correctly see par. 7, page 9.2. Exchange it see par. 7, page 9.3. Exchange the hook.4. Exchange the throat plate and set it correctly. |

| Fault | Cause | Removal |
|--|--|--|
| | 5. Broken adjusting spring for upper thread tension. 6. Needle bar positioned too high or too low. 7. Overtumed hook, incorrect hook course. 8. Soiled hook mechanism. | 5. Exchange the spring and adjust the upper thread tension see par. 3, page 12. 6. Adjust it see par. 8, page 13. 7. Adjust the hook course see par. 9, page 13. 8. Clean it with kerosene and oil it with oil. |
| f) Needle breakage | 1. Feed-dog positioned too high. 2. Faulty attendance - pulling the material. 3. Needle too thin with respect to material. 4. Needle inserted incorrectly. 5. Loosened throat plate. 6. Excessive upper thread tension. | 1. Adjust it in height see par. 4, page 12. 2. Let the material pass freely. 3. Exchange the needle see par. 7, page 9. 4. Insert it correctly see par. 7, page 9. 5. Set the throat plate correctly see par. 6, page 12 and fix it by screws. 6. Adjust it see par. 3, page 12. |
| g) Heavy and irregular feeding | 1. Feed-dog positioned too low. 2. Worn-out feed-dog. 3. Clogged or blunt teeth of feed-dog. 4. Insufficient pressure of presser foot. | 1. Adjust it in height see par. 4, page 12. 2. Exchange it. 3. Clean or exchange the feed-dog. 4. Increase the pressure see par. 7, page 12. |
| h) Stitch forming below sewn material | 1. Tensioner disks slashed by upper thread. 2. The thread does not pass smoothly around the looper or catches the bobbin case. 3. The upper thread is not thread between the tensioner disc. 4. Thread broken and caught between the tensioner disks. 5. Incorrect proportion between the upper and lower thread tensions. | 1. Exchange them and adjust the upper thread tension see par. 3, page 12. 2. Clean the hook and adjust the bobbin case. 3. Thread it correctly. 4. Clean the thread tensioner and adjust it see par. 3, page 12. 5. Correct the proportion see par. 3, page 12 and check it from time to time. |
| i) Stitch forming above sewn material | 1. Damaged spring on the bobbin case, the lower thread is braked insufficiently. | 1. Exchange the spring. |

| Fault | Cause | Removal |
|-------|--|--|
| | 2. Lower thread is not threaded under the spring of the bobbin case. | 2. Tread it correctly. |
| | 3. Lower thread broken and caught under the spring of the bobbin case. | 3. Remove the thread. |
| | 4. Incorrect proportion between the upper and lower thread tensions. | 4. Correct the proportion see par. 3, page 12. |
| | 5. Premature feeding. | 5. Adjust it see par. 5, page 12. |

j) Locked hook

Thread rests caught in the hook.

Rotate the hand wheel in each direction regardless of the considerable resistance until the caught thread rests are cut to pieces. Remove them and start the unthreaded machine. Let it run for a period, then drip two or three drops of oil recommended in par. 5, page 6 onto the hook.

V. HOW TO ORDER SPARE PARTS

Please, do not omit to specify in each order:

1. Machine type and its production No.
2. Part marking (with the six-number marking - the part we have manufactured, with the twelve-number marking - the part we have bought)
3. Number of pieces

e.g. ZZ 568 H, No. 205

| | |
|-----------------|-------|
| 021.243 | 2 pcs |
| 828.079 | 4 pcs |
| 272 213 017 015 | 1 pc |
| 323 114 618 117 | 1 pc |

Considering technical innovations which improve quality of our products, we alter in the correlation to those the original technical documentation, in order to correspond to the delivered up-to-date machine modification. That is why we recommend exclusively to order the machine spare parts using the catalogues enclosed to the delivered machine.

Wish every good wish for your successful work.

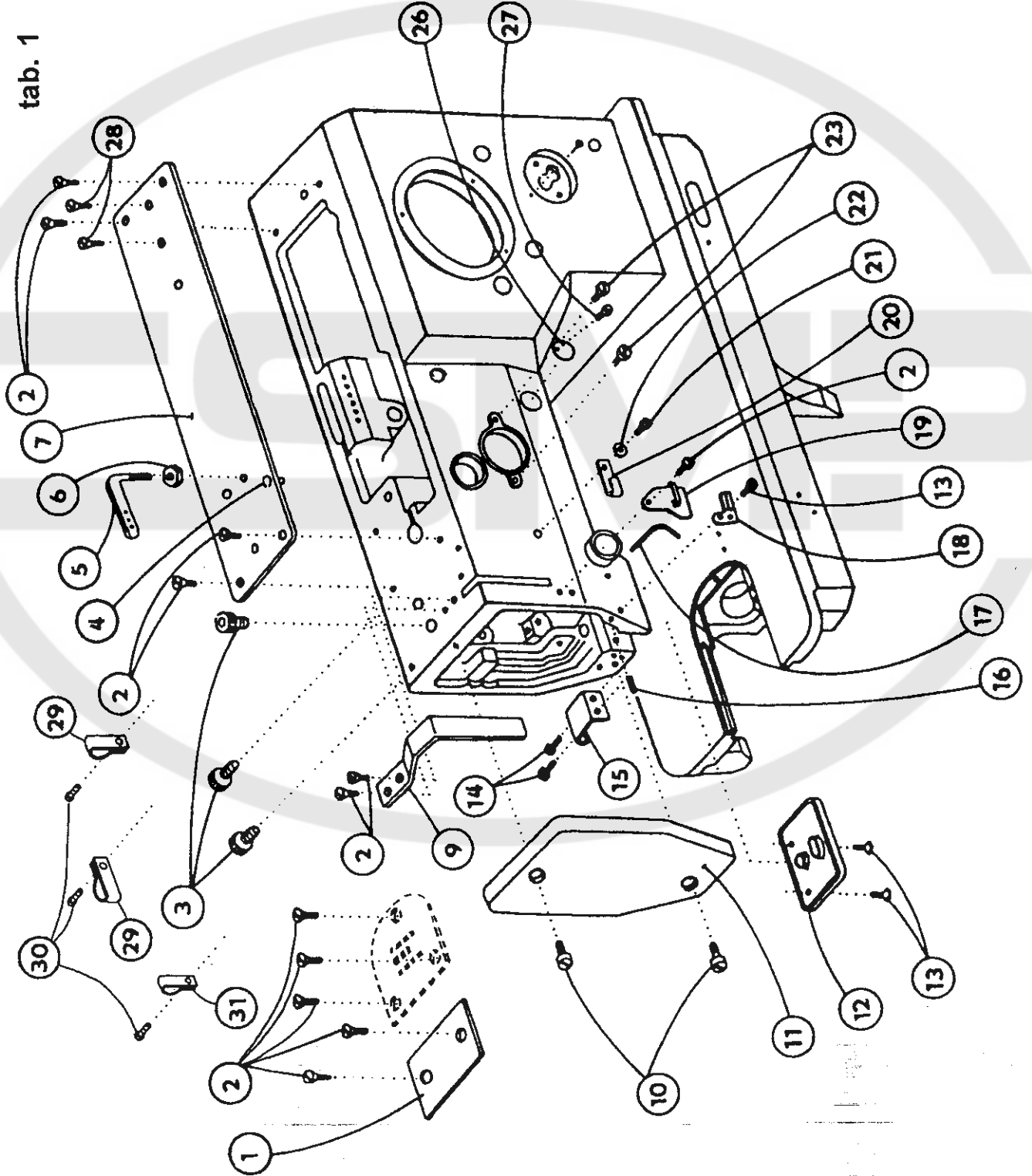


TABLES OF PARTS

ZZ 568 H

| | | |
|----|------|--------|
| 1 | S080 | 647228 |
| 2 | S080 | 123117 |
| 3 | S321 | 001000 |
| 4 | S080 | 840073 |
| 5 | S080 | 313204 |
| 6 | S080 | 161138 |
| 7 | S080 | 815007 |
| 9 | S080 | 831348 |
| 10 | S080 | 120248 |
| 11 | S080 | 721173 |
| 12 | S080 | 827180 |
| 13 | S080 | 123122 |
| 14 | S080 | 126063 |
| 15 | S080 | 823149 |
| 16 | S080 | 111227 |
| 17 | S080 | 271184 |
| 18 | S080 | 821115 |
| 19 | S080 | 821077 |
| 20 | S080 | 821113 |
| 21 | S080 | 120361 |
| 22 | S080 | 190368 |
| 23 | S080 | 132112 |
| 26 | S080 | 831494 |
| 27 | S080 | 123166 |
| 28 | S080 | 132153 |
| 29 | 9840 | 120030 |
| 30 | S080 | 120331 |
| 31 | 9840 | 120028 |

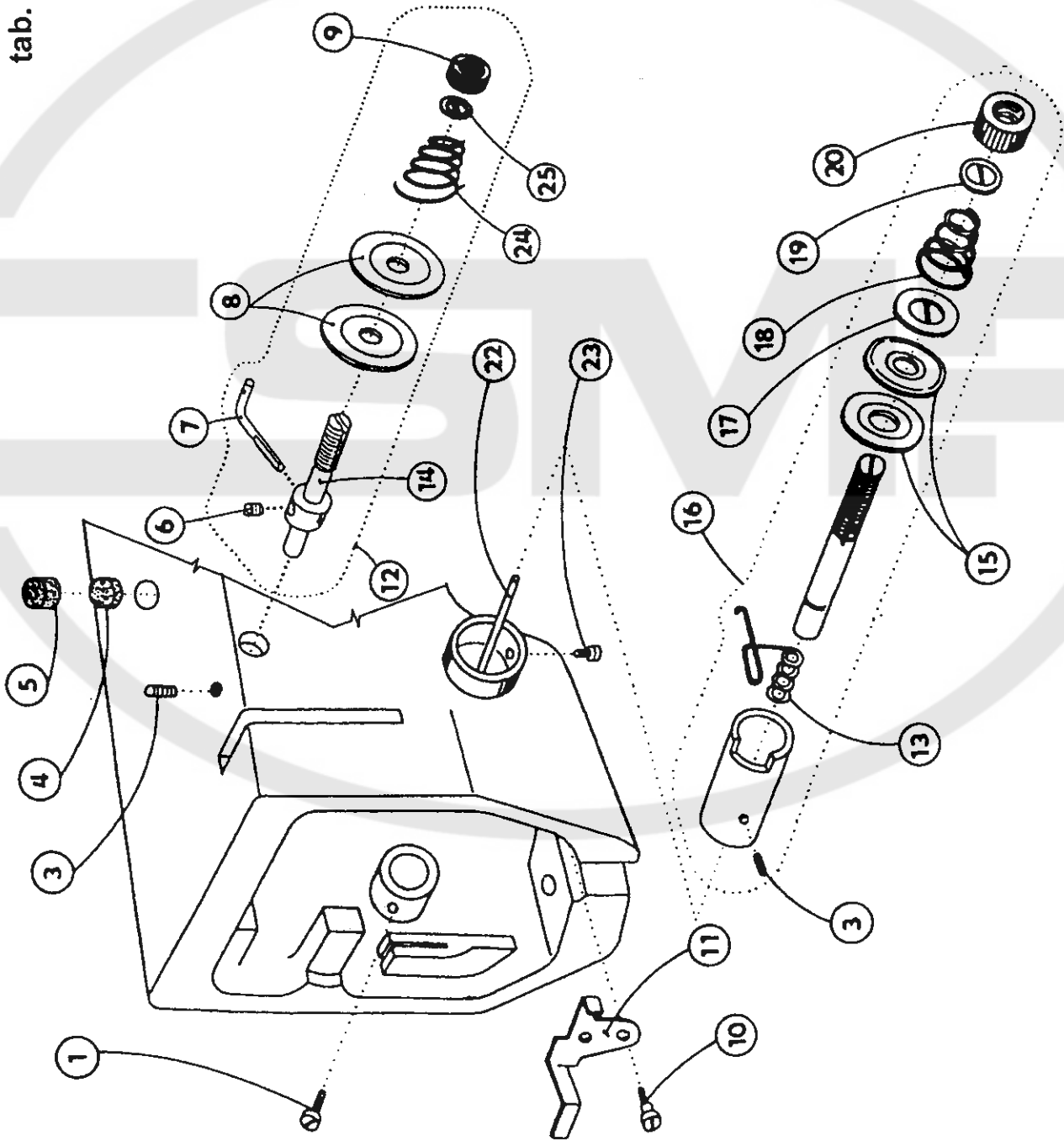
tab. 1



tab. 2

ZZ 568 H

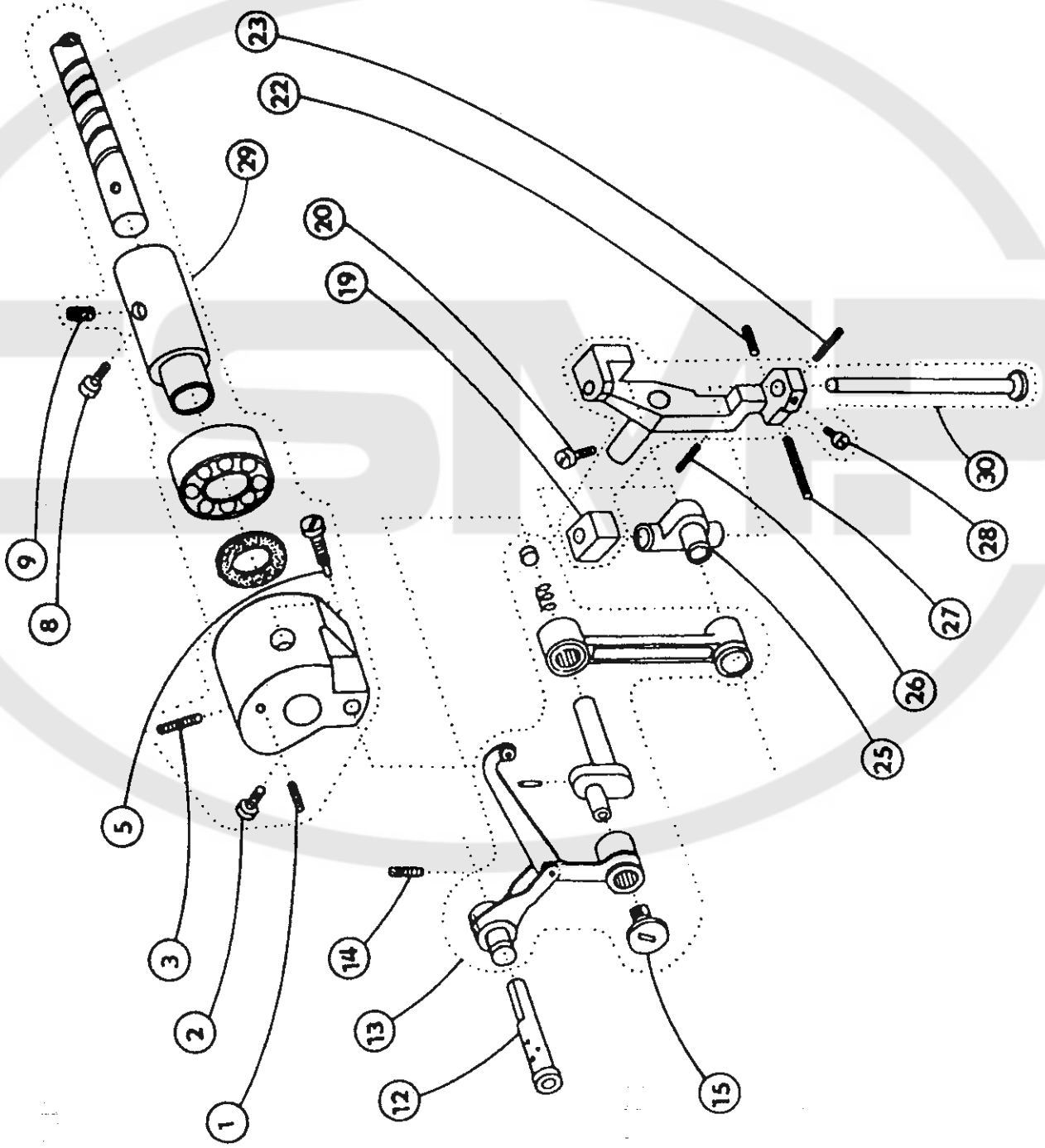
| | |
|----|-------------|
| 1 | S080 120248 |
| 3 | S080 111227 |
| 4 | S080 945100 |
| 5 | S080 945188 |
| 6 | S080 111227 |
| 7 | S080 291496 |
| 8 | S080 828079 |
| 9 | S080 171037 |
| 10 | S080 131027 |
| 11 | S080 822424 |
| 12 | S980 025282 |
| 13 | S315 264294 |
| 14 | S080 118054 |
| 15 | S080 828079 |
| 16 | S980 025244 |
| 17 | S080 828080 |
| 18 | S080 262074 |
| 19 | S080 195041 |
| 20 | S080 171037 |
| 22 | S080 310428 |
| 23 | S080 120246 |
| 24 | S080 262048 |
| 25 | S080 195019 |



ZZ 568 H

| | | |
|----|------|--------|
| 1 | S080 | 111238 |
| 2 | S080 | 122008 |
| 3 | S080 | 112015 |
| 5 | S080 | 138009 |
| 8 | S080 | 120006 |
| 9 | S080 | 953139 |
| 12 | S080 | 328005 |
| 13 | S980 | 044727 |
| 14 | S080 | 112014 |
| 15 | S080 | 120062 |
| 19 | S080 | 953159 |
| 20 | S080 | 120248 |
| 22 | S080 | 111214 |
| 23 | S080 | 111295 |
| 25 | S080 | 452047 |
| 26 | S080 | 111273 |
| 27 | S080 | 111126 |
| 28 | S080 | 120216 |
| 29 | S980 | 043343 |
| 30 | S980 | 035318 |

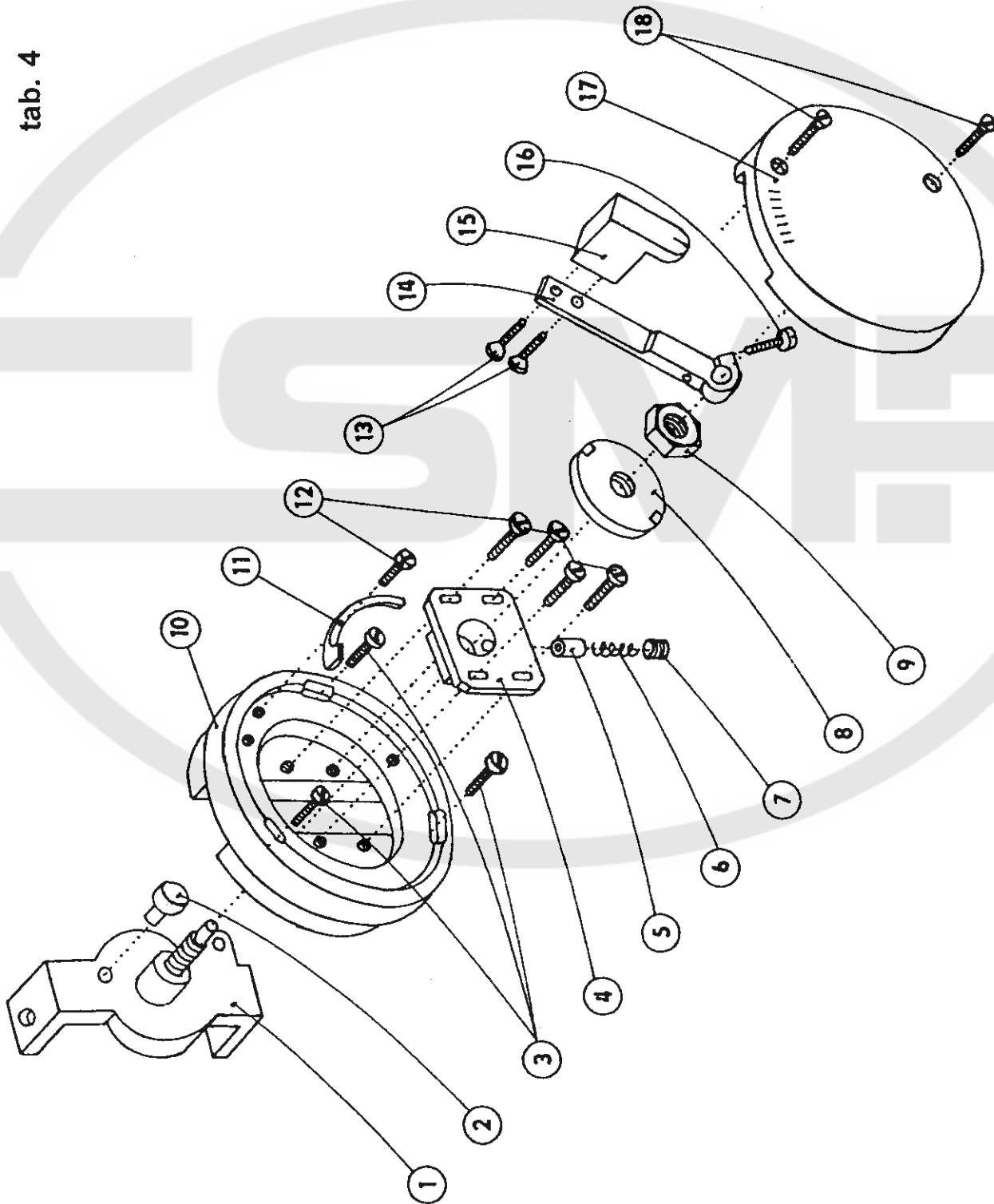
tab. 3



ZZ 568 H

| | | |
|----|------|--------|
| 1 | S080 | 646027 |
| 2 | S080 | 322247 |
| 3 | S080 | 120276 |
| 4 | S080 | 646120 |
| 5 | S321 | 020000 |
| 6 | S080 | 260139 |
| 7 | S080 | 111099 |
| 8 | S080 | 174066 |
| 9 | S080 | 161236 |
| 10 | S080 | 442530 |
| 11 | S080 | 839010 |
| 12 | S080 | 120219 |
| 13 | S080 | 126101 |
| 14 | S080 | 613472 |
| 15 | S080 | 952251 |
| 16 | S080 | 120543 |
| 17 | S080 | 945048 |
| 18 | S080 | 123130 |

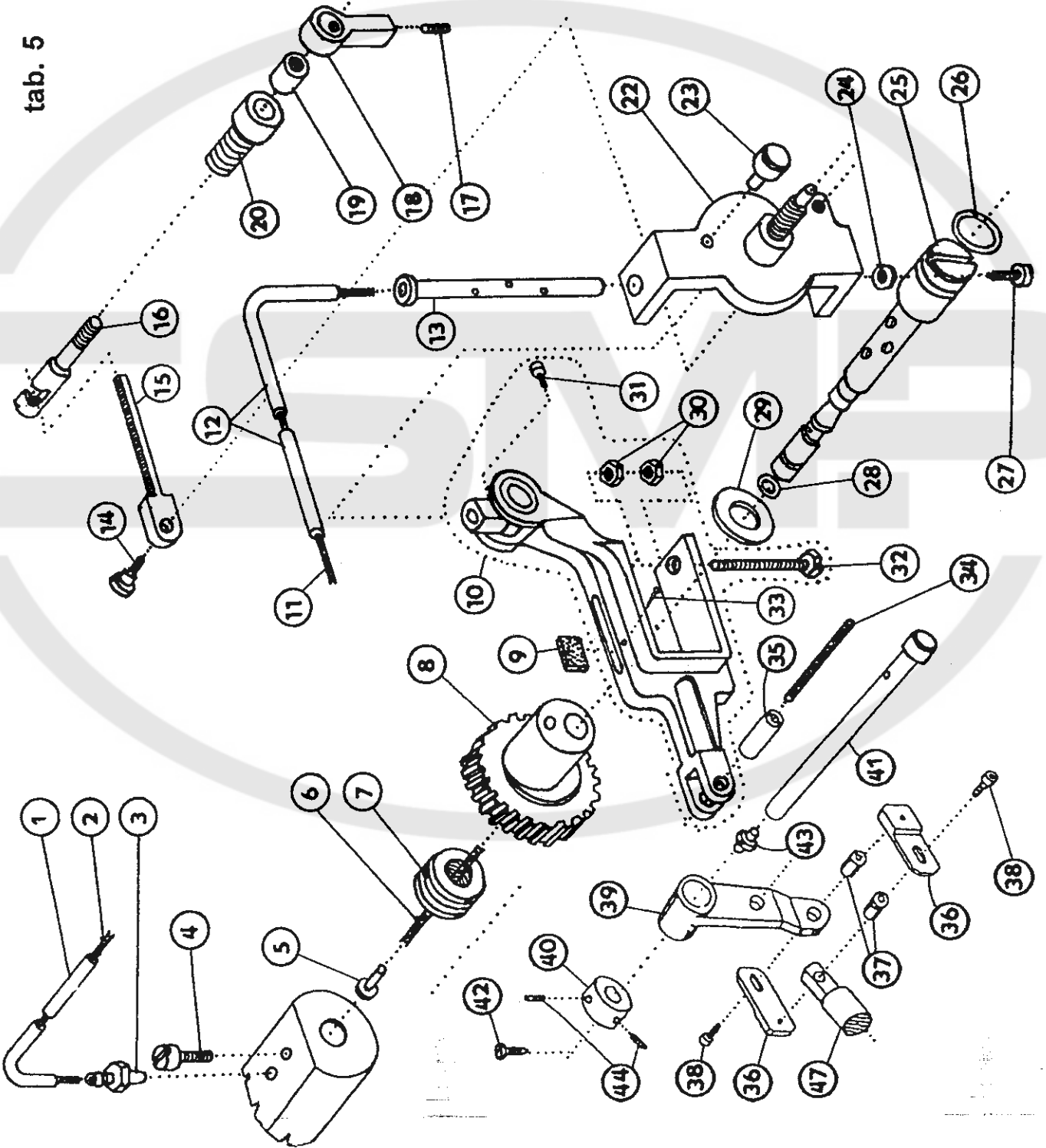
tab. 4



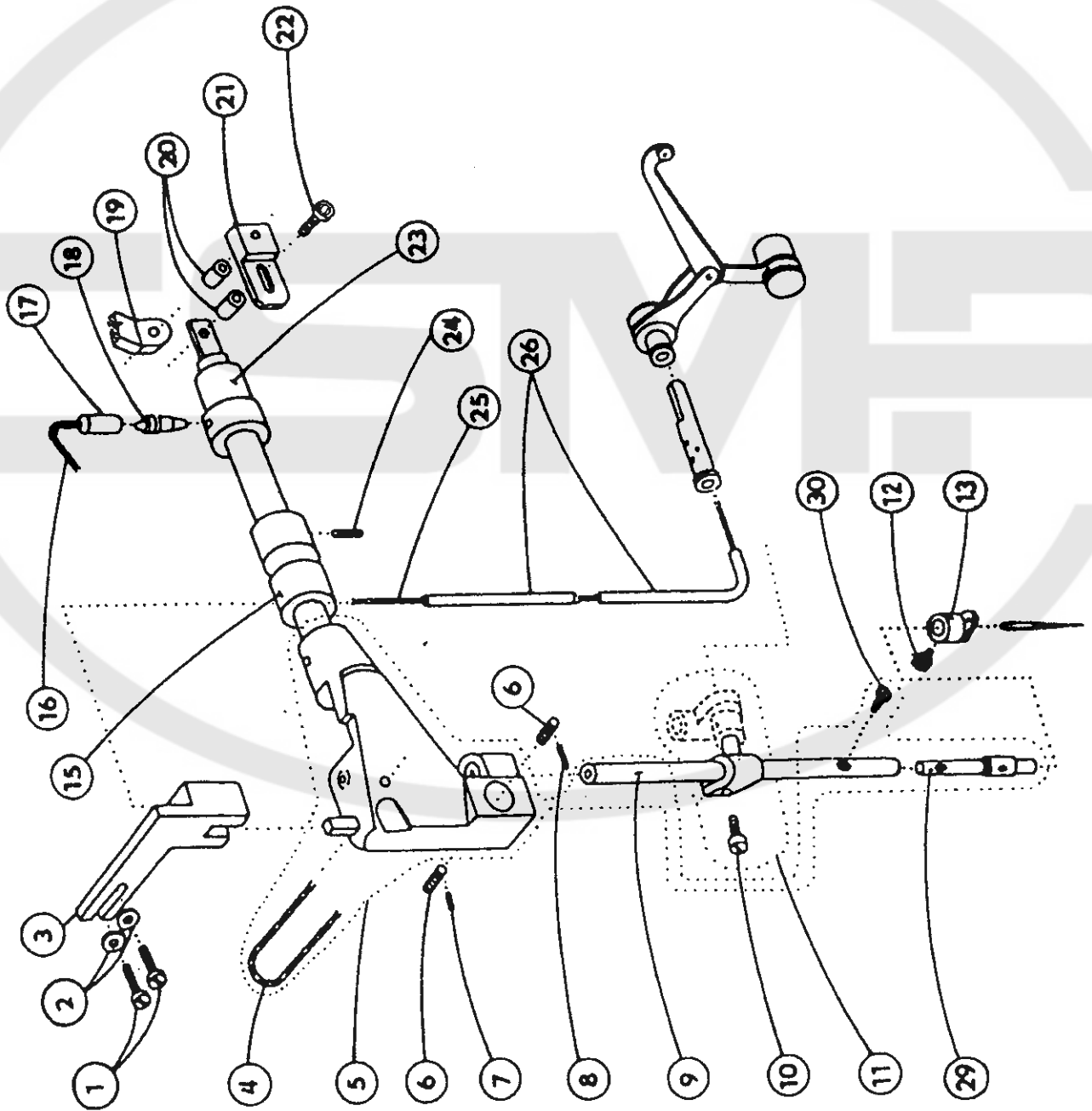
ZZ 568 H

| | | |
|----|----------------------|--------|
| 1 | S283 | 002005 |
| 2 | ø 3,5/ø 4,8 x 100 mm | |
| 3 | S708 | 130002 |
| 4 | ø 2 x 140 mm | |
| 5 | S080 | 424051 |
| 6 | S080 | 120233 |
| 7 | S080 | 951327 |
| 8 | S708 | 002106 |
| 9 | ø 1,5 x 150 mm | |
| 10 | S324 | 010000 |
| 11 | S980 | 035598 |
| 12 | S080 | 945326 |
| 13 | S980 | 024263 |
| 14 | S708 | 130002 |
| 15 | ø 2 x 270 mm | |
| 16 | S283 | 002005 |
| 17 | ø 3,5/ø 4,8 x 210 mm | |
| 18 | S080 | 335101 |
| 19 | S080 | 131391 |
| 20 | S080 | 152099 |
| 21 | S080 | 334097 |
| 22 | S080 | 112101 |
| 23 | S080 | 612342 |
| 24 | S080 | 163093 |
| 25 | S080 | 422184 |
| 26 | S080 | 646027 |
| 27 | S080 | 322247 |
| 28 | S080 | 190359 |
| 29 | S080 | 335105 |
| 30 | S273 | 007000 |
| 31 | S080 | 120221 |
| 32 | S273 | 001001 |
| 33 | S080 | 190526 |
| 34 | S080 | 161233 |
| 35 | S080 | 120291 |
| 36 | S080 | 141223 |
| 37 | S738 | 002000 |
| 38 | S708 | 130002 |
| 39 | ø 2 x 150 mm | |
| 40 | S080 | 318210 |
| 41 | S080 | 648132 |
| 42 | S080 | 410595 |
| 43 | S080 | 120589 |
| 44 | S080 | 613519 |
| 45 | S080 | 436000 |
| 46 | S080 | 320289 |
| 47 | S080 | 132203 |
| 48 | S425 | 041000 |
| 49 | S080 | 112013 |
| 50 | S980 | 021395 |

tab. 5



tab. 6



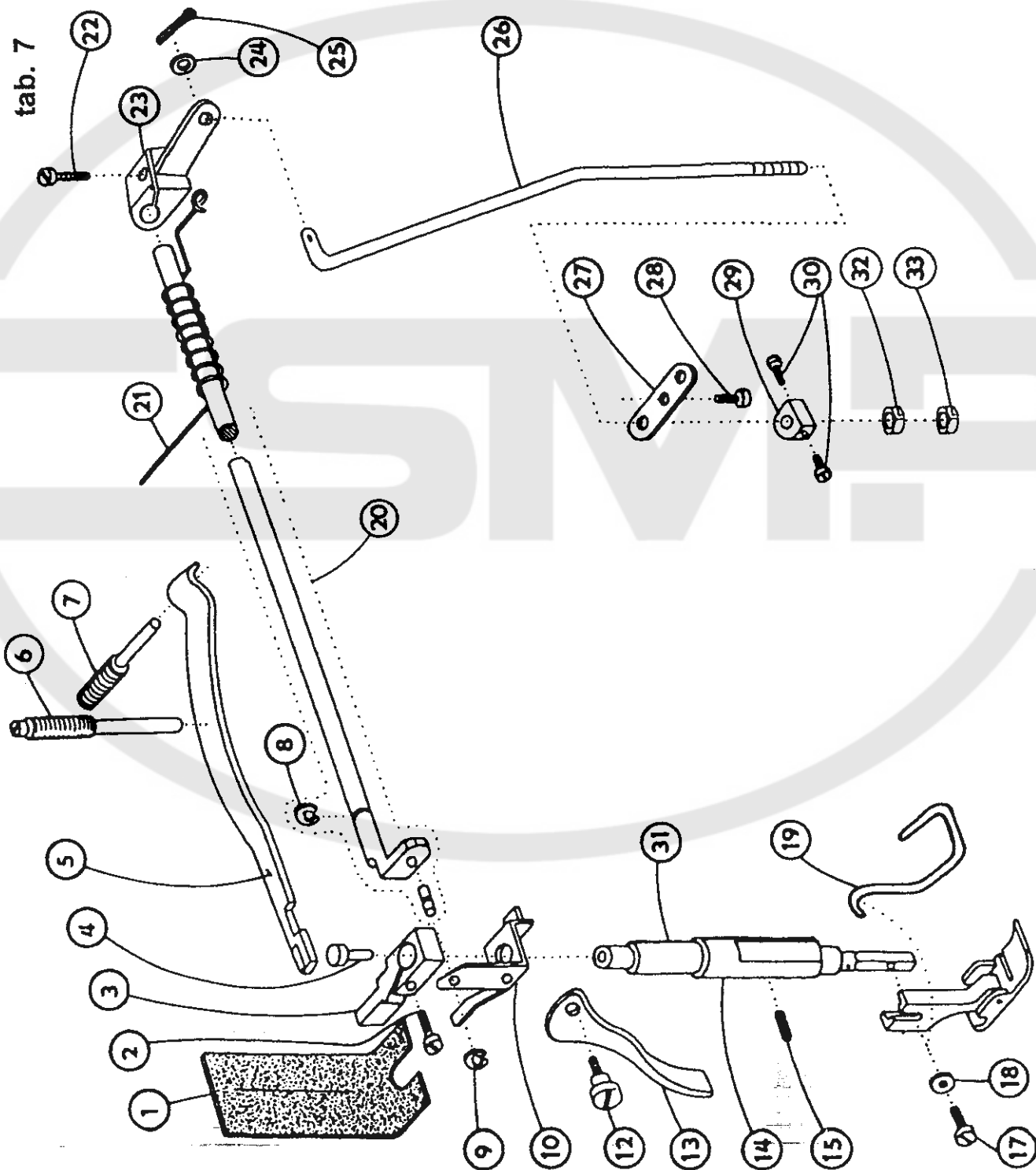
ZZ 568 H

| | |
|----|-------------------------------------|
| 1 | S080 120276 |
| 2 | S080 190353 |
| 3 | S080 646104 |
| 4 | S708 002105 ø 1,5 x 80 mm |
| 5 | S980 021394 |
| 6 | S080 113115 |
| 7 | S080 111229 |
| 8 | S080 111248 |
| 9 | S080 391155 |
| 10 | S080 124050 |
| 11 | S980 035499 |
| 12 | S080 135029 |
| 13 | S080 627170 |
| 14 | S080 413311 |
| 15 | S708 002105 ø 1,5 x 250 mm |
| 16 | S283 002005 ø 3,5/ø 4,8 x 190 mm |
| 17 | S080 424051 |
| 18 | S080 613519 |
| 19 | S080 410595 |
| 20 | S080 648132 |
| 21 | S080 120589 |
| 22 | S080 421341 |
| 23 | S080 111222 |
| 24 | S708 002105 ø 1,5 x 150 mm |
| 25 | S283 002005 ø 3,5/ø 4,8 x 70 mm |
| 26 | S080 394167 |
| 27 | S080 136082 |

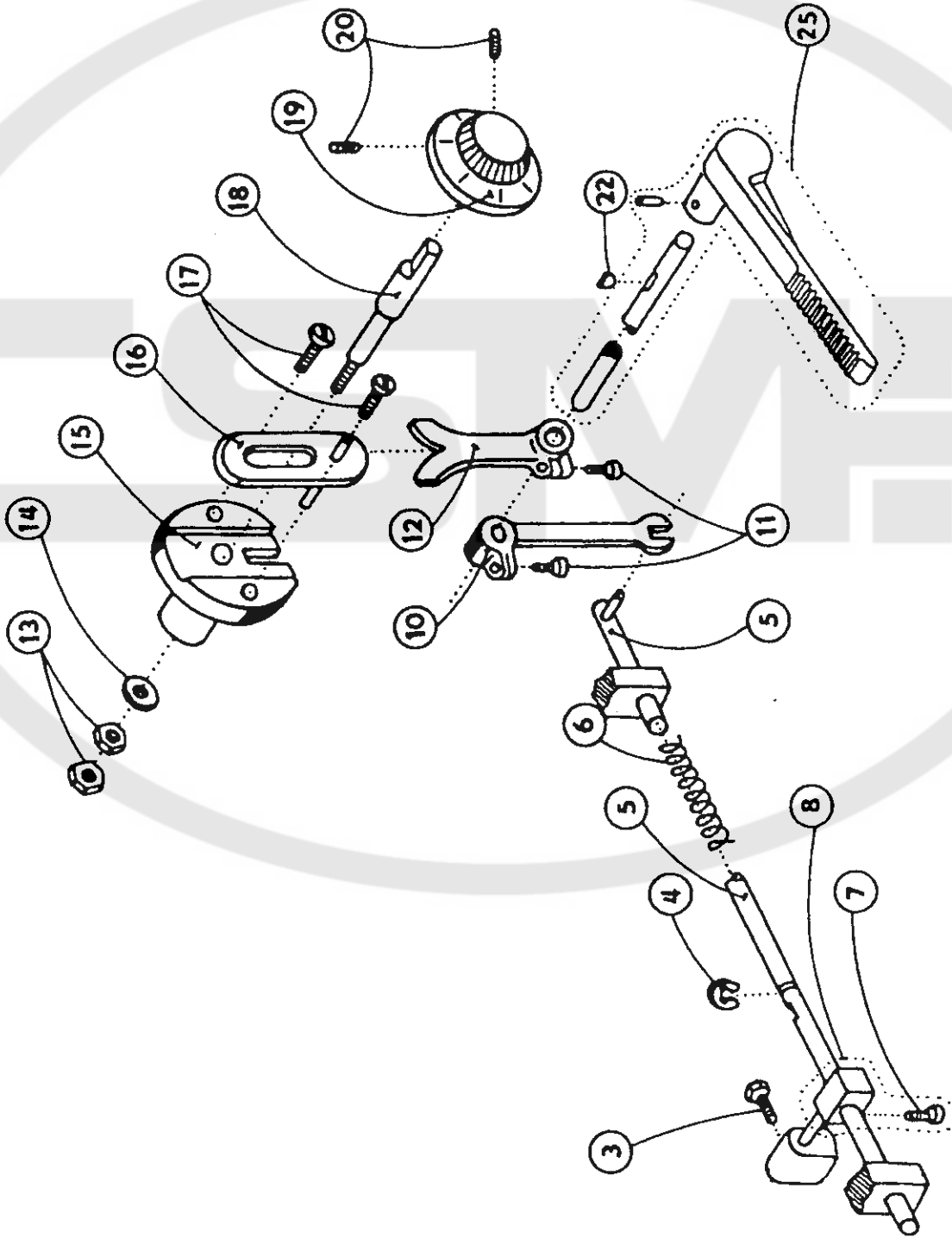
ZZ 568 H

| | |
|----|-------------|
| 1 | S080 945317 |
| 2 | S080 120543 |
| 3 | S080 623249 |
| 4 | S080 326213 |
| 5 | S080 283152 |
| 6 | S080 113122 |
| 7 | S080 113123 |
| 8 | S311 732060 |
| 9 | S311 732040 |
| 10 | S080 839215 |
| 12 | S080 136023 |
| 13 | S080 615021 |
| 14 | S080 421330 |
| 15 | S080 112014 |
| 17 | S080 120239 |
| 18 | S080 190554 |
| 19 | S080 271393 |
| 20 | S980 060209 |
| 21 | S080 264296 |
| 22 | S080 120221 |
| 23 | S080 613453 |
| 24 | S080 190346 |
| 25 | S080 271337 |
| 26 | S080 382102 |
| 27 | S080 814014 |
| 28 | S080 120217 |
| 29 | S080 436331 |
| 30 | S080 120050 |
| 31 | S080 392105 |
| 32 | S080 161139 |
| 33 | S080 161333 |

tab. 7



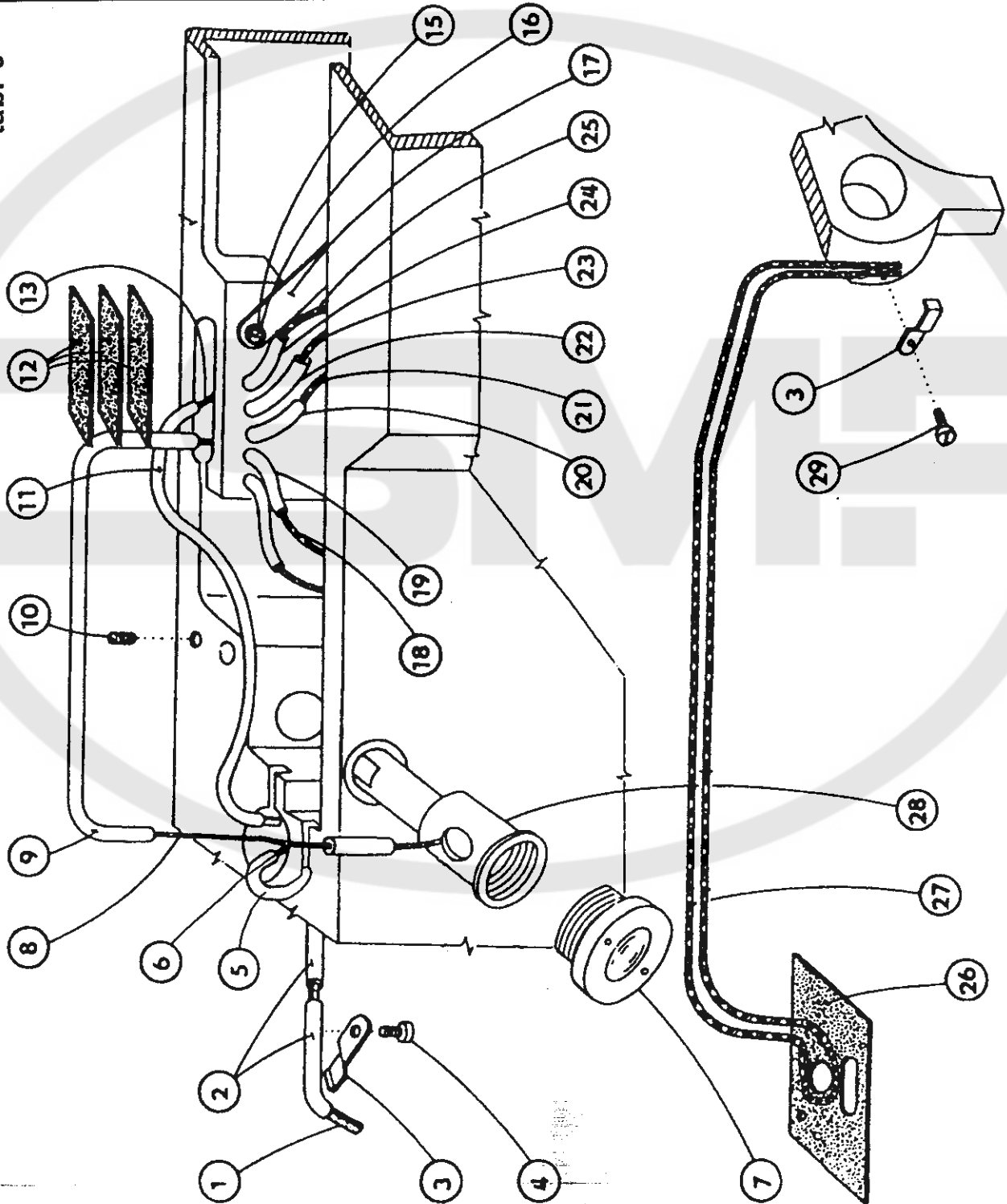
tab. 8



ZZ 568 H

| | | |
|----|------|--------|
| 3 | S080 | 141102 |
| 4 | S311 | 732070 |
| 5 | S980 | 043301 |
| 6 | S080 | 260547 |
| 7 | S080 | 120227 |
| 8 | S980 | 022126 |
| 10 | S080 | 613373 |
| 11 | S080 | 120221 |
| 12 | S080 | 613328 |
| 13 | S080 | 161142 |
| 14 | S080 | 192061 |
| 15 | S080 | 441187 |
| 16 | S980 | 049785 |
| 17 | S080 | 120246 |
| 18 | S080 | 342258 |
| 19 | S980 | 233031 |
| 20 | S080 | 112013 |
| 22 | S311 | 728537 |
| 25 | S980 | 044714 |

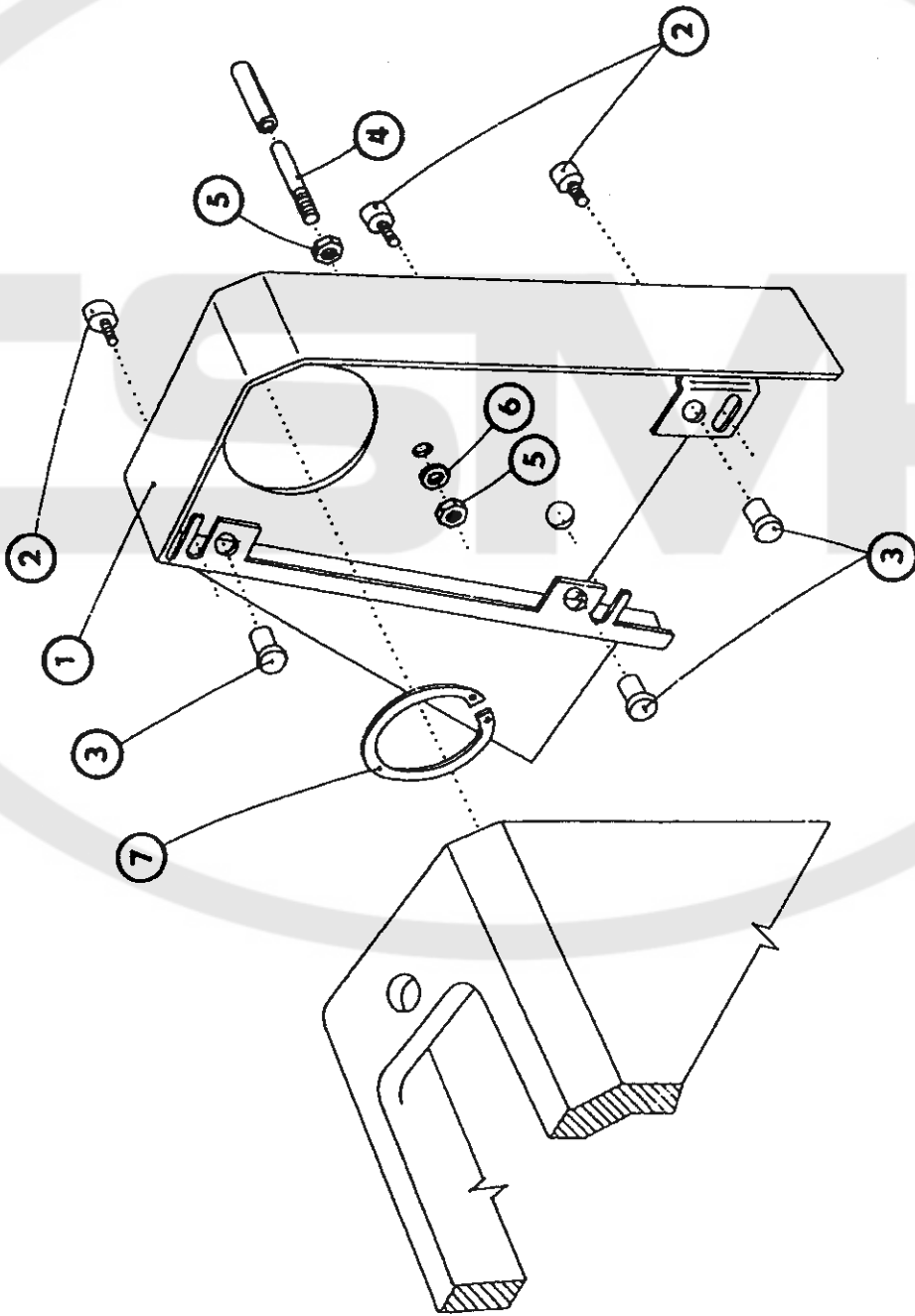
tab. 9



ZZ 568 H

- | | | |
|----|-------------|----------|
| 1 | S080 | 945180 |
| 2 | S283 | 002005 |
| 3 | Ø 3,5/Ø 4,8 | x 65 mm |
| 4 | S080 | 824096 |
| 5 | S080 | 120245 |
| 6 | S283 | 002005 |
| 7 | Ø 3,5/Ø 4,8 | x 80 mm |
| 8 | S708 | 130002 |
| 9 | Ø 2 x 140 | mm |
| 10 | S321 | 001002 |
| 11 | S708 | 002105 |
| 12 | Ø 1,5 x 380 | mm |
| 13 | S283 | 002005 |
| 14 | Ø 3,5/Ø 4,8 | x 150 mm |
| 15 | S080 | 111245 |
| 16 | S283 | 002005 |
| 17 | Ø 3,5/Ø 4,8 | x 150 mm |
| 18 | S080 | 945316 |
| 19 | S708 | 002105 |
| 20 | Ø 1,5 x 380 | mm |
| 21 | S080 | 120299 |
| 22 | S080 | 190359 |
| 23 | S980 | 041176 |
| 24 | S708 | 130002 |
| 25 | Ø 2 x 320 | mm |
| 26 | S283 | 002005 |
| 27 | Ø 3,5/Ø 4,8 | x 250 mm |
| 28 | S283 | 002005 |
| 29 | Ø 3,5/Ø 4,8 | x 210 mm |
| 30 | S708 | 130002 |
| 31 | Ø 2 x 270 | mm |
| 32 | S283 | 002005 |
| 33 | Ø 3,5/Ø 4,8 | x 90 mm |
| 34 | S708 | 130002 |
| 35 | Ø 2 x 130 | mm |
| 36 | S283 | 002005 |
| 37 | Ø 3,5/Ø 4,8 | x 100 mm |
| 38 | S708 | 130002 |
| 39 | Ø 2 x 140 | mm |
| 40 | S080 | 945286 |
| 41 | S708 | 130004 |
| 42 | Ø 4 x 1120 | mm |
| 43 | S080 | 441313 |
| 44 | S080 | 120216 |

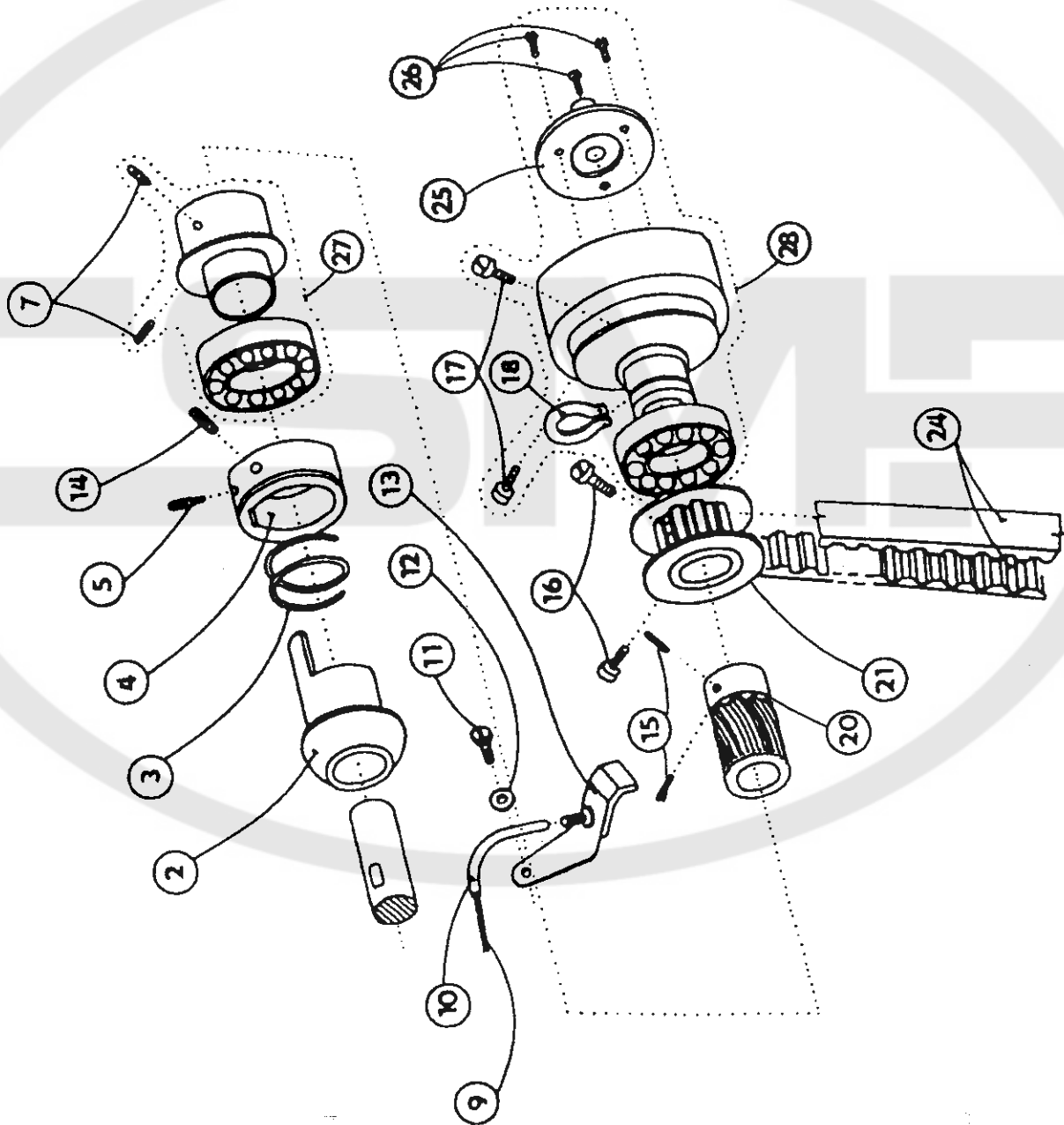
tab. 10



ZZ 568 H

- | | | |
|---|------|--------|
| 1 | S980 | 041162 |
| 2 | S080 | 120346 |
| 3 | S273 | 005001 |
| 4 | S080 | 316096 |
| 5 | S080 | 161151 |
| 6 | S080 | 191112 |
| 7 | S311 | 733620 |

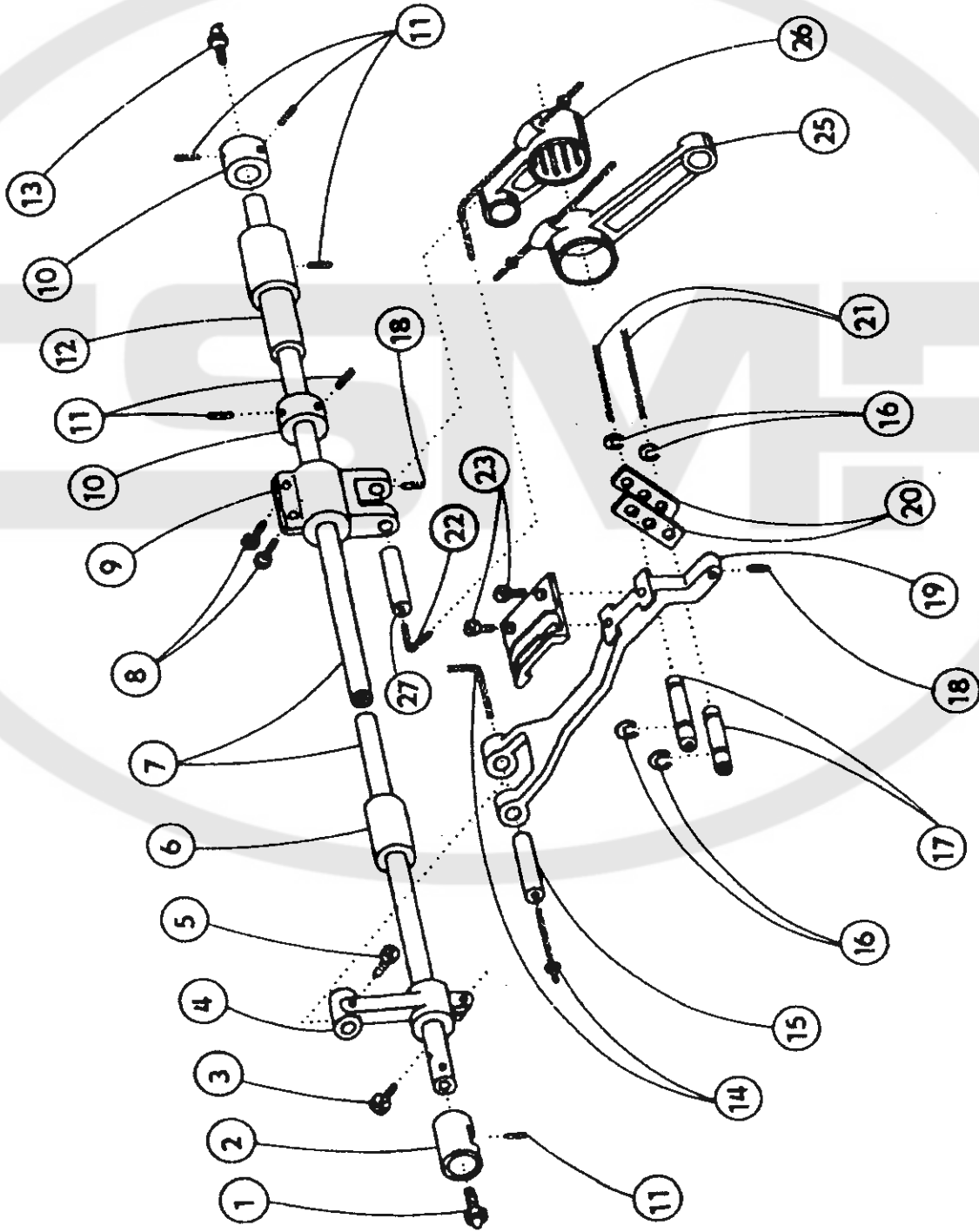
tab. 11



ZZ 568 H

| | |
|----|------------------------------------|
| 2 | S080 441541 |
| 3 | S080 260467 |
| 4 | S080 436338 |
| 5 | S080 113115 |
| 7 | S080 111225 |
| 9 | S708 130002 ø 2 x 130 mm |
| 10 | S283 002005 ø 3,5/ø 4,8 x 90 mm |
| 11 | S080 120259 |
| 12 | S080 190359 |
| 13 | S980 041176 |
| 14 | S080 112013 |
| 15 | S080 111343 |
| 16 | S080 122029 |
| 17 | S080 120006 |
| 18 | S311 733300 |
| 20 | S980 045330 |
| 21 | S980 045315 |
| 24 | S272 011015 |
| 25 | S080 442548 |
| 26 | S080 120252 |
| 27 | S980 035849 |
| 28 | S980 045301 |

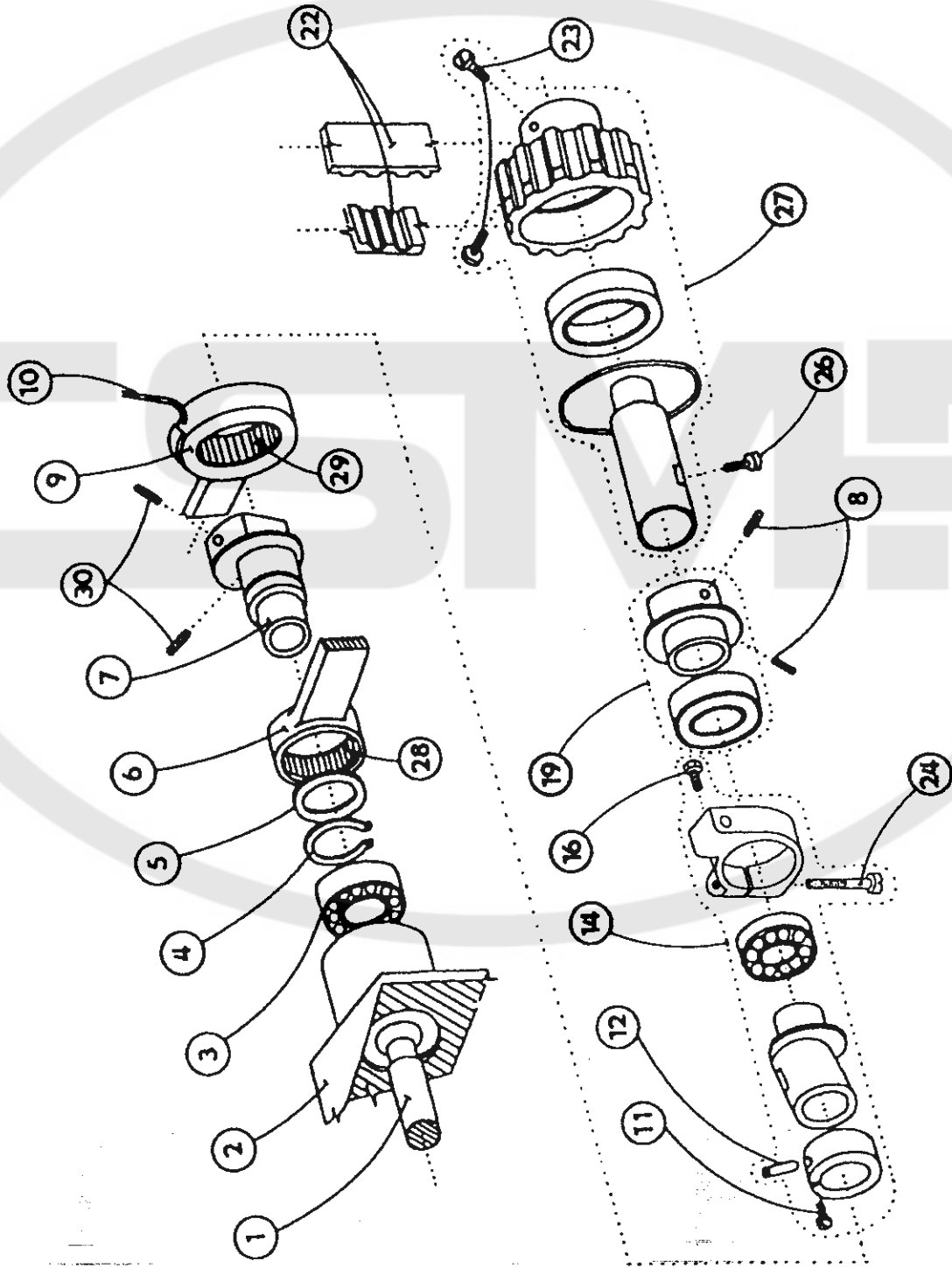
tab. 12



ZZ 568 H

| | | |
|----|----------------|--------|
| 1 | S425 | 041000 |
| 2 | S080 | 413252 |
| 3 | S080 | 141133 |
| 4 | S080 | 613495 |
| 5 | S080 | 124050 |
| 6 | S080 | 410532 |
| 7 | S080 | 345067 |
| 8 | S080 | 120229 |
| 9 | S080 | 613216 |
| 10 | S080 | 436000 |
| 11 | S080 | 112013 |
| 12 | S080 | 412193 |
| 13 | S425 | 061000 |
| 14 | S708 | 002105 |
| 15 | ø 1,5 x 160 mm | |
| 16 | S080 | 338069 |
| 17 | S311 | 732050 |
| 18 | S080 | 318144 |
| 19 | S080 | 111227 |
| 20 | S080 | 622092 |
| 21 | S080 | 612109 |
| 22 | ø 1,5 x 60 mm | |
| 23 | ø 1,5 x 350 mm | |
| 25 | S080 | 121157 |
| 26 | S080 | 630248 |
| 27 | S980 | 044045 |
| | S080 | 344035 |

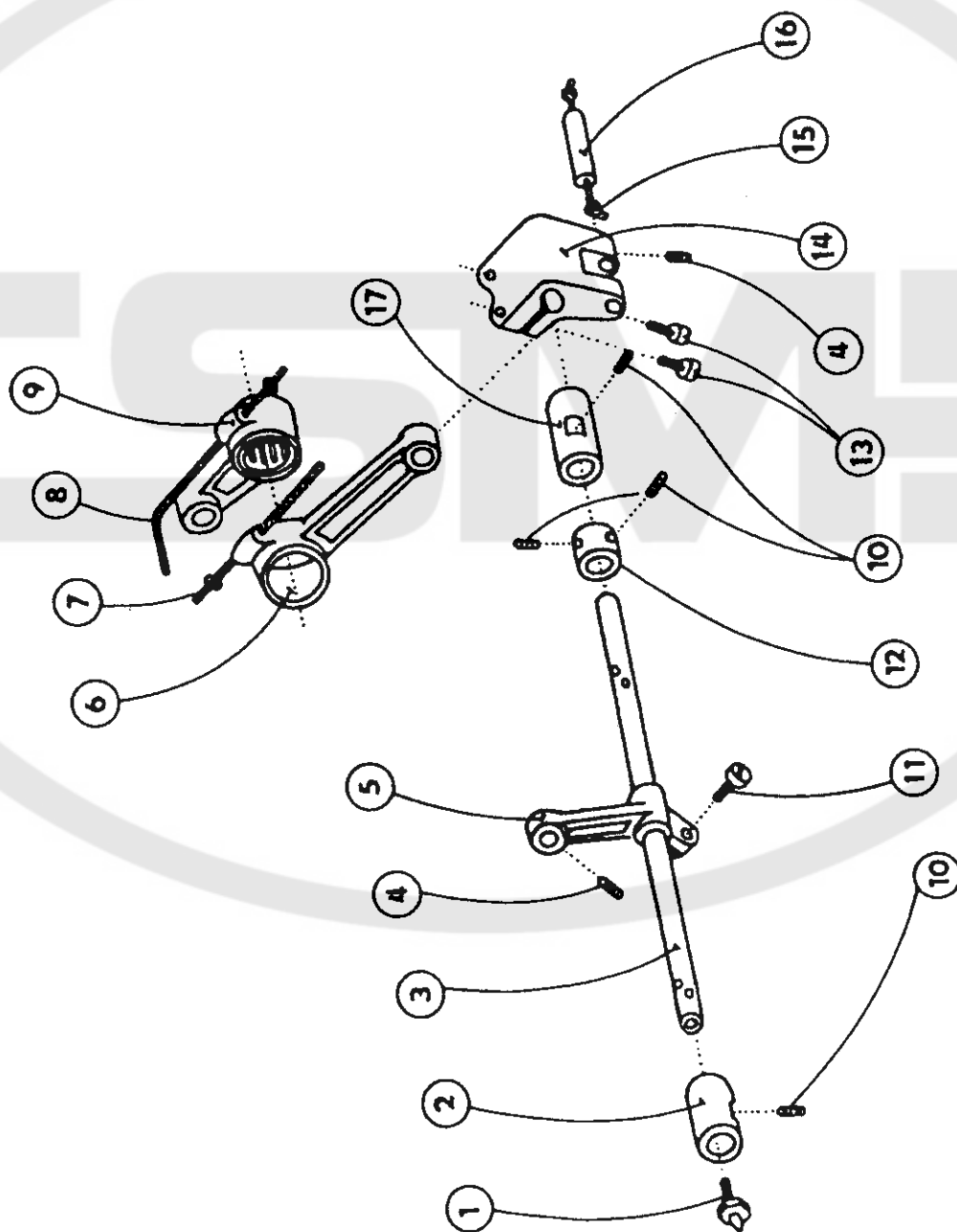
tab. 13



ZZ 568 H

| | | |
|----|----------------|--------|
| 1 | S080 | 342243 |
| 2 | S080 | 724134 |
| 3 | S324 | 020093 |
| 4 | S311 | 733180 |
| 5 | S080 | 814338 |
| 6 | S080 | 630248 |
| 7 | S080 | 671152 |
| 8 | S080 | 112013 |
| 9 | S980 | 044045 |
| 10 | S708 | 002105 |
| 11 | ø 1,5 x 350 mm | |
| 12 | S080 | 141088 |
| 14 | S980 | 035422 |
| 16 | S080 | 141102 |
| 19 | S980 | 035420 |
| 22 | S272 | 011015 |
| 23 | S080 | 122029 |
| 24 | S080 | 120222 |
| 26 | S080 | 122031 |
| 27 | S980 | 045231 |
| 28 | S324 | 510900 |
| 29 | S324 | 512900 |
| 30 | S080 | 111343 |

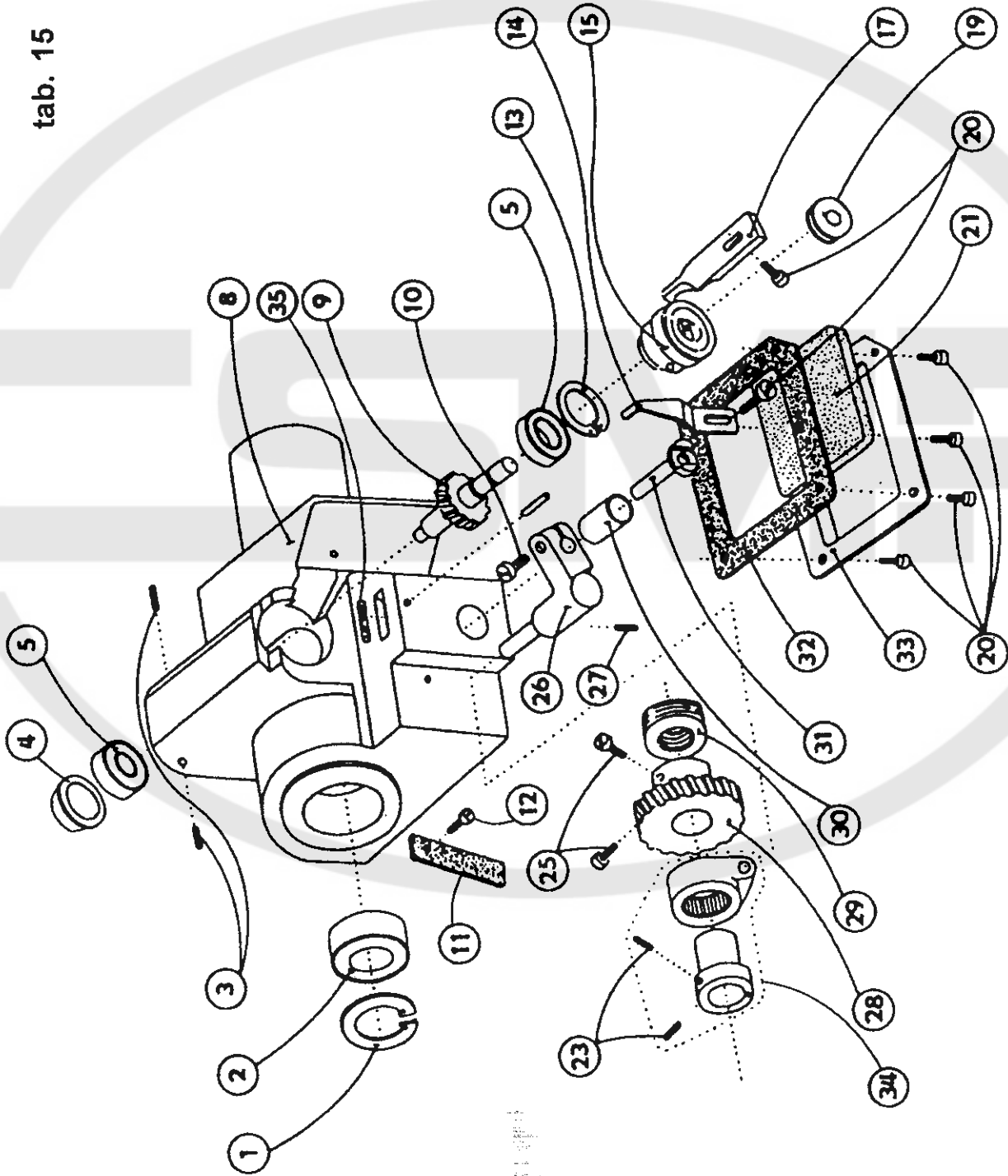
tab. 14



ZZ 568 H

- | | | |
|----|----------------|--------|
| 1 | S425 | 041000 |
| 2 | S080 | 413251 |
| 3 | S080 | 345065 |
| 4 | S080 | 111227 |
| 5 | S080 | 613195 |
| 6 | S080 | 630248 |
| 7 | S708 | 002105 |
| 8 | ø 1,5 x 220 mm | |
| 9 | ø 1,5 x 350 mm | |
| 10 | S980 | 044045 |
| 11 | S080 | 112013 |
| 12 | S080 | 120229 |
| 13 | S080 | 436000 |
| 14 | S080 | 120231 |
| 15 | S080 | 613152 |
| 16 | S708 | 130002 |
| 17 | ø 2 x 60 mm | |
| 18 | S080 | 344035 |
| 19 | S080 | 410538 |

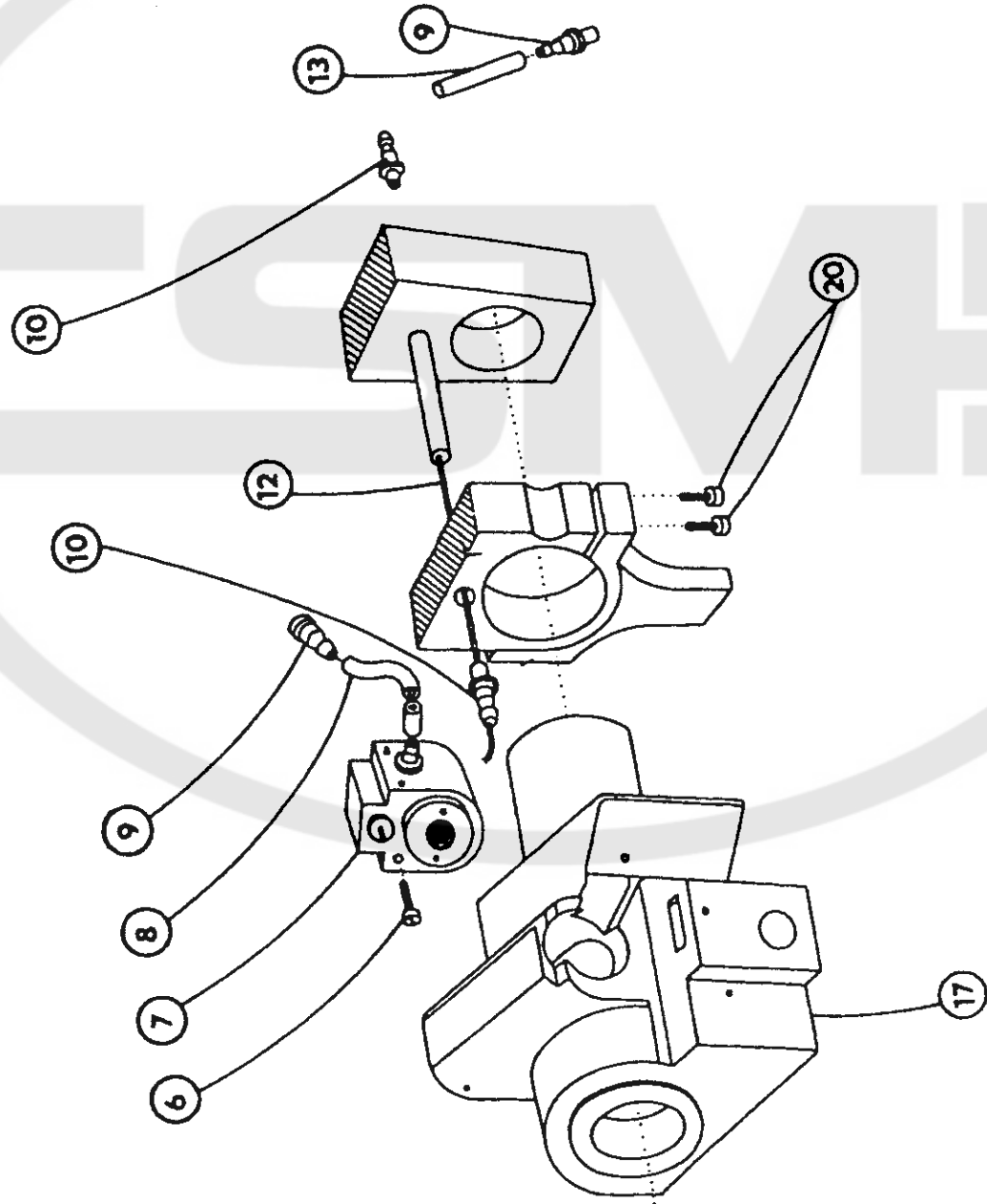
tab. 15



ZZ 568 H

| | | |
|----|------|-------------|
| 1 | S311 | 733261 |
| 2 | S324 | 920796 |
| 3 | S080 | 111219 |
| 4 | S080 | 441287 |
| 5 | S324 | 910093 |
| 8 | S080 | 724134 |
| 9 | S080 | 562168 |
| 10 | S080 | 120226 |
| 11 | S080 | 945283 |
| 12 | S080 | 120601 |
| 13 | S311 | 733221 |
| 14 | S080 | 825740 |
| 15 | S980 | 008253 |
| 17 | S080 | 825744 |
| 19 | S080 | 685051 |
| 20 | S080 | 120246 |
| 21 | S080 | 945285 |
| 23 | S080 | 111343 |
| 25 | S080 | 122007 |
| 26 | S080 | 613466 |
| 27 | S080 | 111094 |
| 28 | S080 | 552167 |
| 29 | S324 | 010000 |
| 30 | S080 | 410530 |
| 31 | S080 | 323155 |
| 32 | S080 | 990134 |
| 33 | S080 | 827179 |
| 34 | S980 | 035406 |
| 35 | S708 | 130002 |
| | | ø 2 x 40 mm |

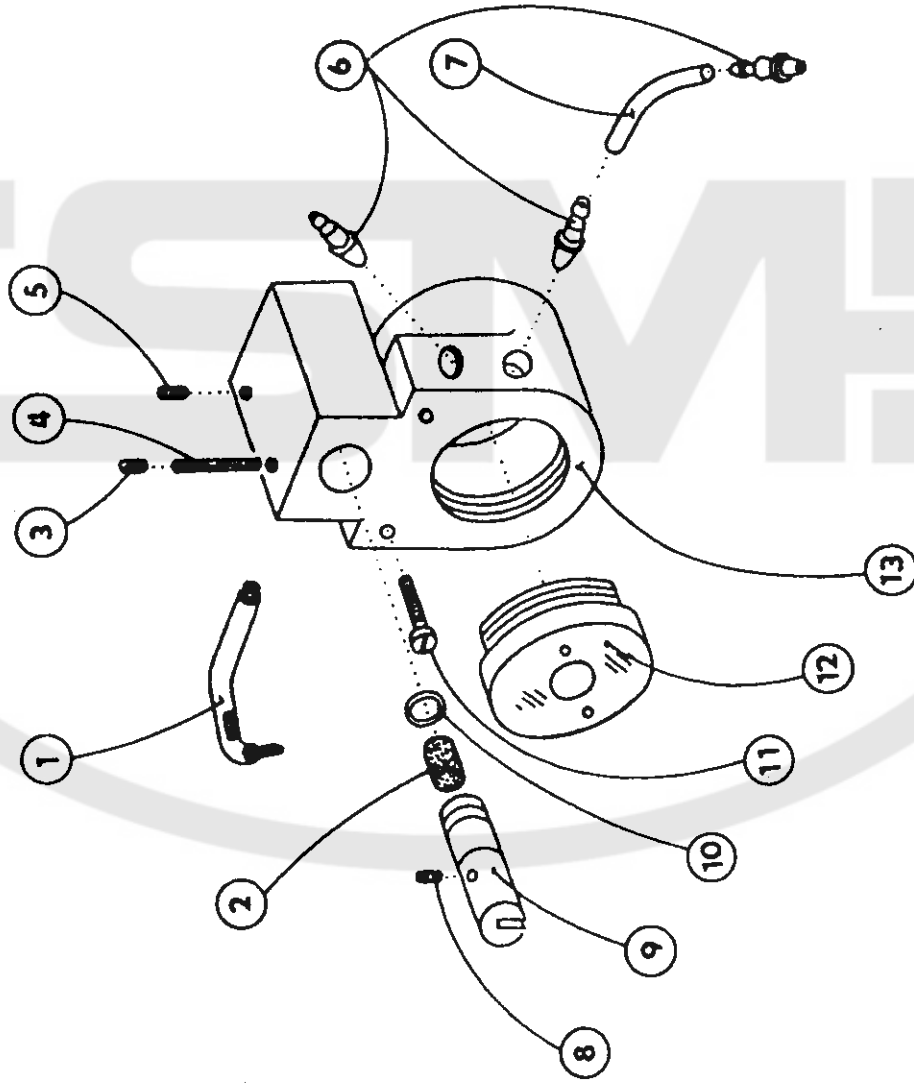
tab. 16



ZZ 568 H

| | | |
|----|-------------|----------|
| 6 | S080 | 120269 |
| 7 | S980 | 035528 |
| 8 | S283 | 002005 |
| 9 | ø 3,5/ø 4,8 | x 100 mm |
| 10 | S080 | 424051 |
| | S080 | 424060 |
| 12 | S708 | 130005 |
| | ø 5 x 300 | mm |
| 13 | S283 | 002005 |
| | ø 3,5/ø 4,8 | x 170 mm |
| 17 | S080 | 724134 |
| 20 | S080 | 120425 |

tab. 17



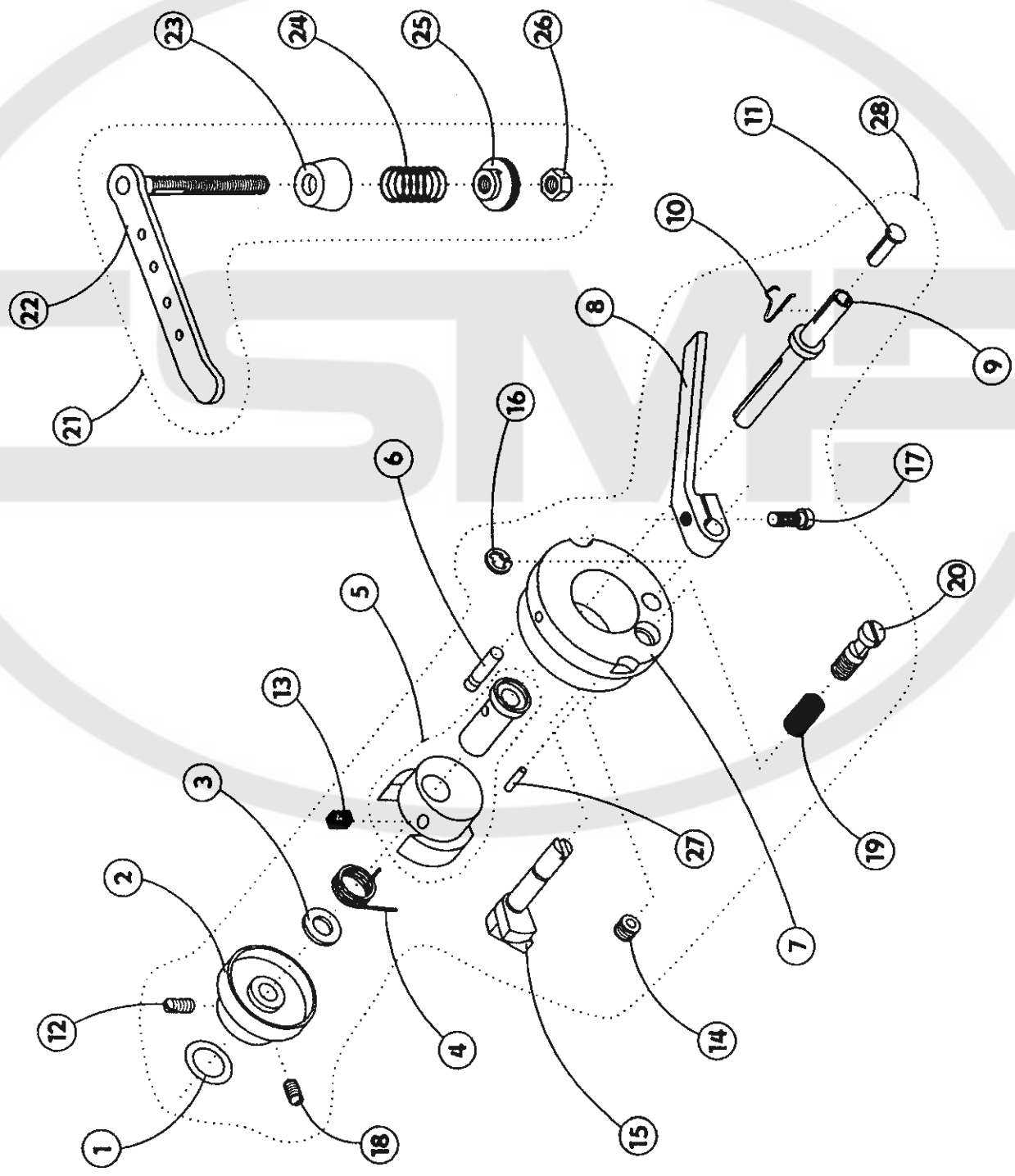
ZZ 568 H

| | | |
|----|----------------------|--------|
| 1 | S980 | 035525 |
| 2 | S080 | 945077 |
| 3 | S080 | 111252 |
| 4 | S080 | 945185 |
| 5 | S080 | 111233 |
| 6 | S080 | 424051 |
| 7 | S283 | 002005 |
| | ø 3,5/ø 4,8 x 100 mm | |
| 8 | S080 | 945170 |
| 9 | S080 | 346053 |
| 10 | S273 | 001001 |
| 11 | S080 | 120269 |
| 12 | S321 | 001002 |
| 13 | S080 | 725023 |

ZZ 568 H

- | | | |
|----|------|--------|
| 1 | S273 | 025410 |
| 2 | S080 | 441560 |
| 3 | S080 | 190593 |
| 4 | S080 | 264281 |
| 5 | S980 | 035654 |
| 6 | S080 | 310377 |
| 7 | S080 | 441308 |
| 8 | S080 | 613468 |
| 9 | S080 | 343074 |
| 10 | S080 | 265037 |
| 11 | S321 | 953200 |
| 12 | S080 | 112115 |
| 13 | S080 | 945296 |
| 14 | S080 | 111094 |
| 15 | S080 | 672174 |
| 16 | S311 | 732040 |
| 17 | S080 | 124050 |
| 18 | S080 | 111230 |
| 19 | S080 | 260483 |
| 20 | S080 | 870170 |
| 21 | S980 | 025248 |
| 22 | S980 | 025249 |
| 23 | S080 | 827194 |
| 24 | S080 | 260510 |
| 25 | S080 | 163106 |
| 26 | S080 | 161138 |
| 27 | S311 | 515091 |
| 28 | S980 | 036122 |

tab. 18

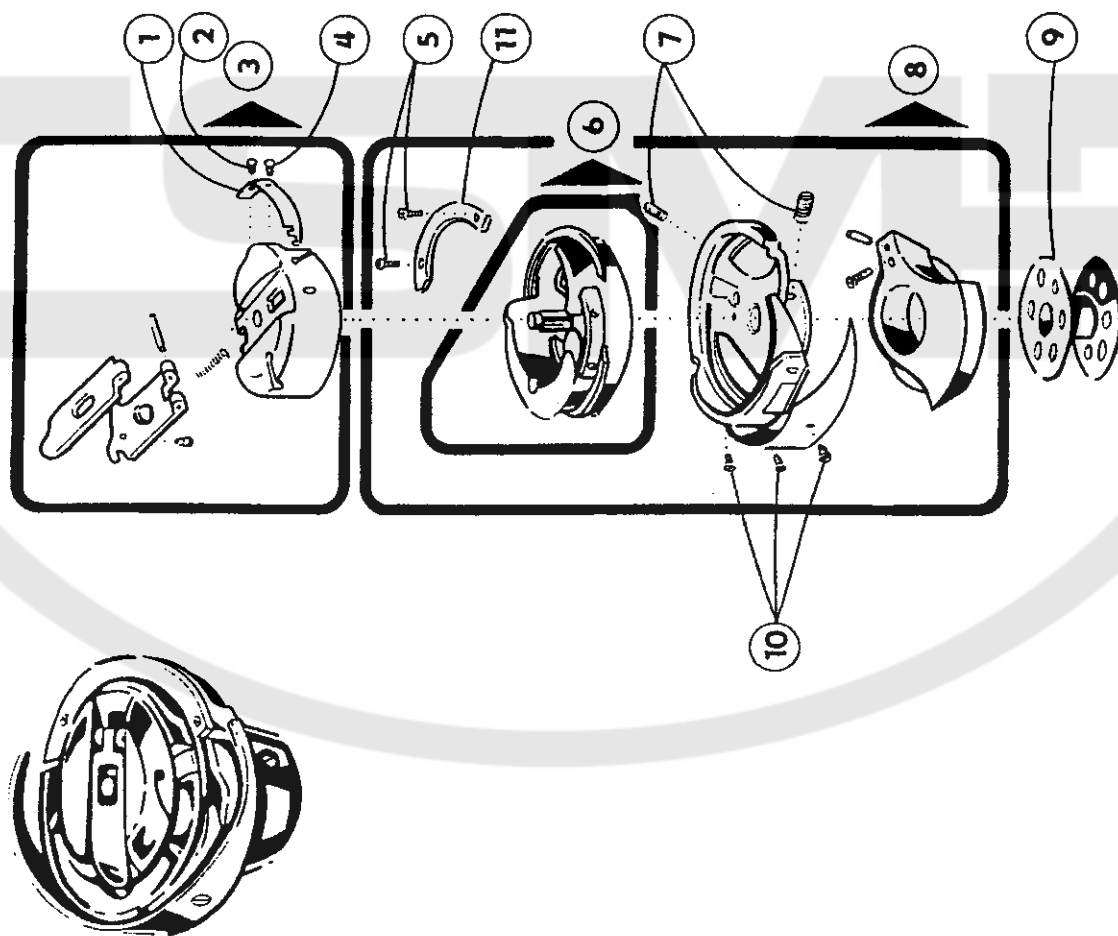


ZZ 568 H

S980 008253

- 1 S080 690029
- 2 S080 683063
- 3 S980 081122
- 4 S080 683053
- 5 S080 683064
- 6 S980 081161
- 7 S080 683067
- 8 S980 081160
- 9 S080 685051
- 10 S080 683083
- 11 S080 681029

tab. 19

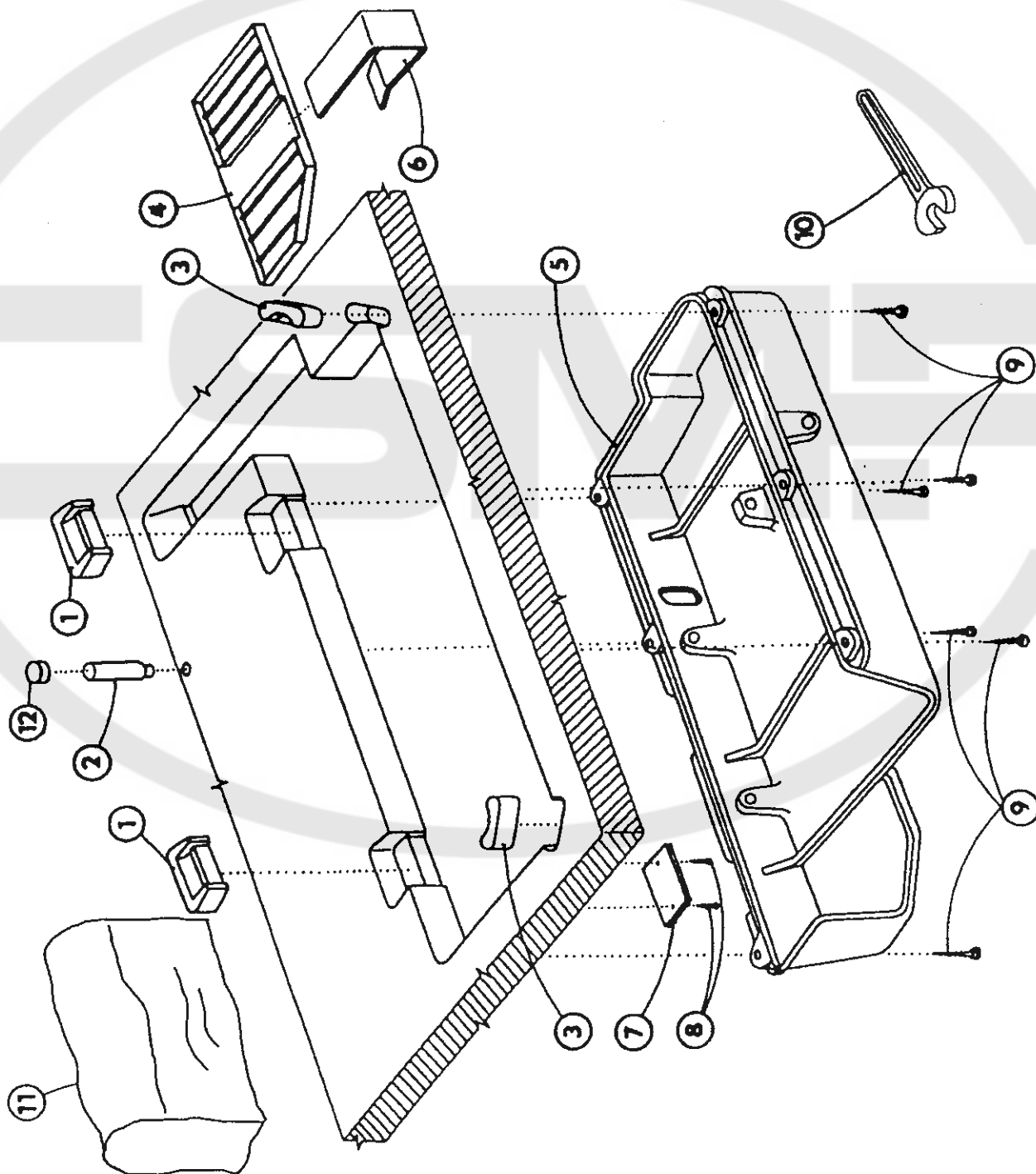


ZZ 568 H

S980 099038 /1

- | | | |
|----|------|--------|
| 1 | S273 | 940127 |
| 2 | S615 | 932046 |
| 3 | S273 | 940141 |
| 4 | S321 | 953251 |
| 5 | S080 | 725050 |
| 6 | S080 | 826387 |
| 7 | S080 | 941091 |
| 8 | S314 | 016020 |
| 9 | S080 | 225031 |
| 10 | S413 | 100130 |
| 11 | 0APP | 000301 |
| 12 | S321 | 026000 |

tab. 20

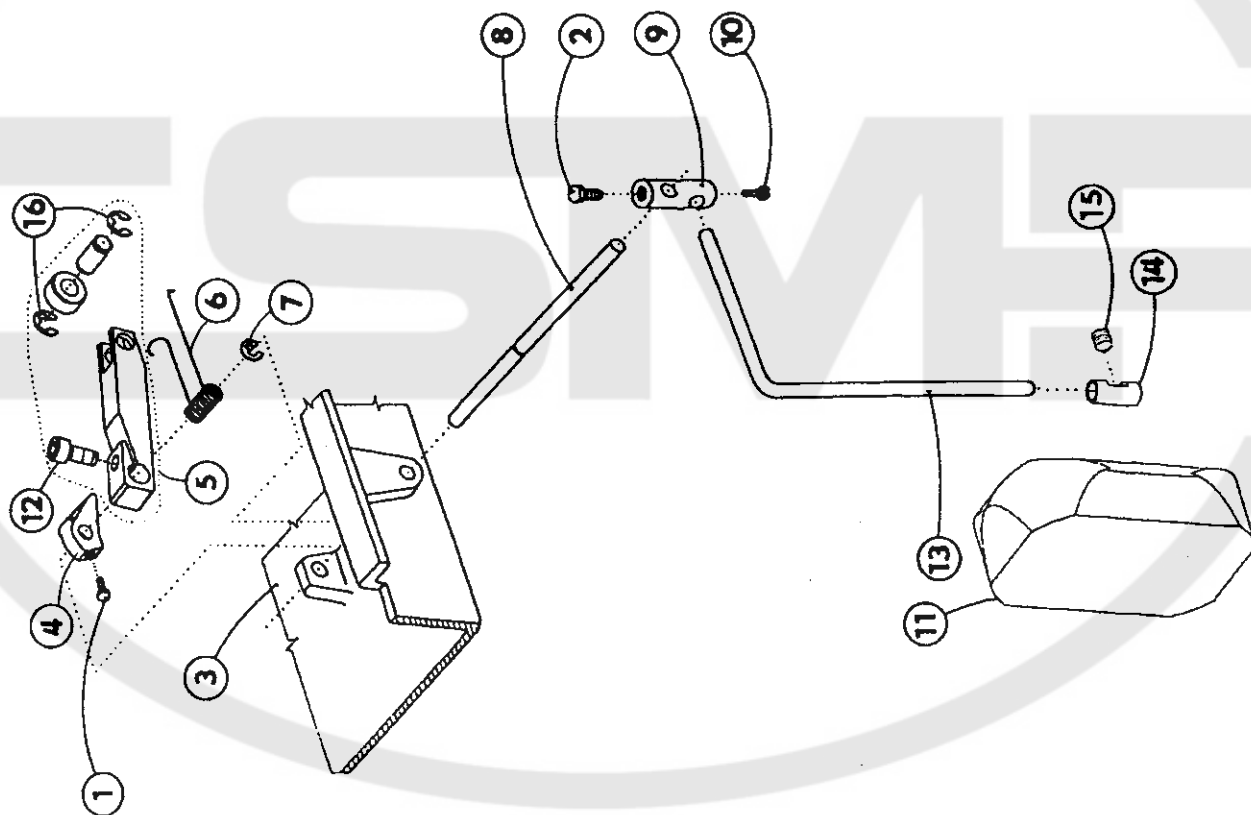


ZZ 568 H

S980 099038/2

- | | | |
|----|------|--------|
| 1 | S080 | 141141 |
| 2 | S080 | 141121 |
| 3 | S080 | 725050 |
| 4 | S080 | 625022 |
| 5 | S980 | 027603 |
| 6 | S080 | 264168 |
| 7 | S311 | 732070 |
| 8 | S080 | 314065 |
| 9 | S080 | 318069 |
| 10 | S080 | 141112 |
| 11 | 0396 | 130013 |
| 12 | S080 | 120295 |
| 13 | S080 | 383022 |
| 14 | S080 | 416146 |
| 15 | 9205 | 102788 |
| 16 | S311 | 732060 |

tab. 21

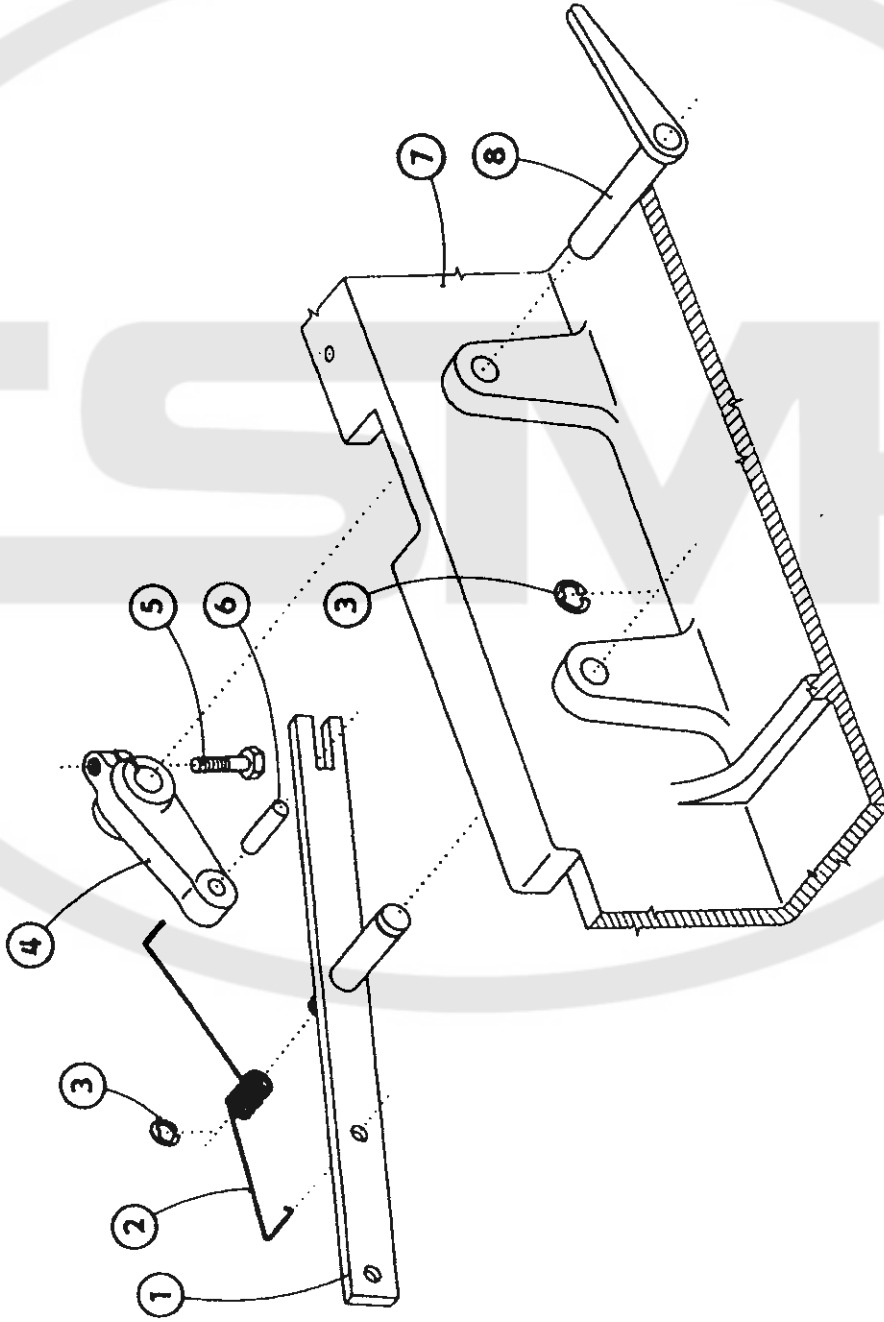


ZZ 568 H

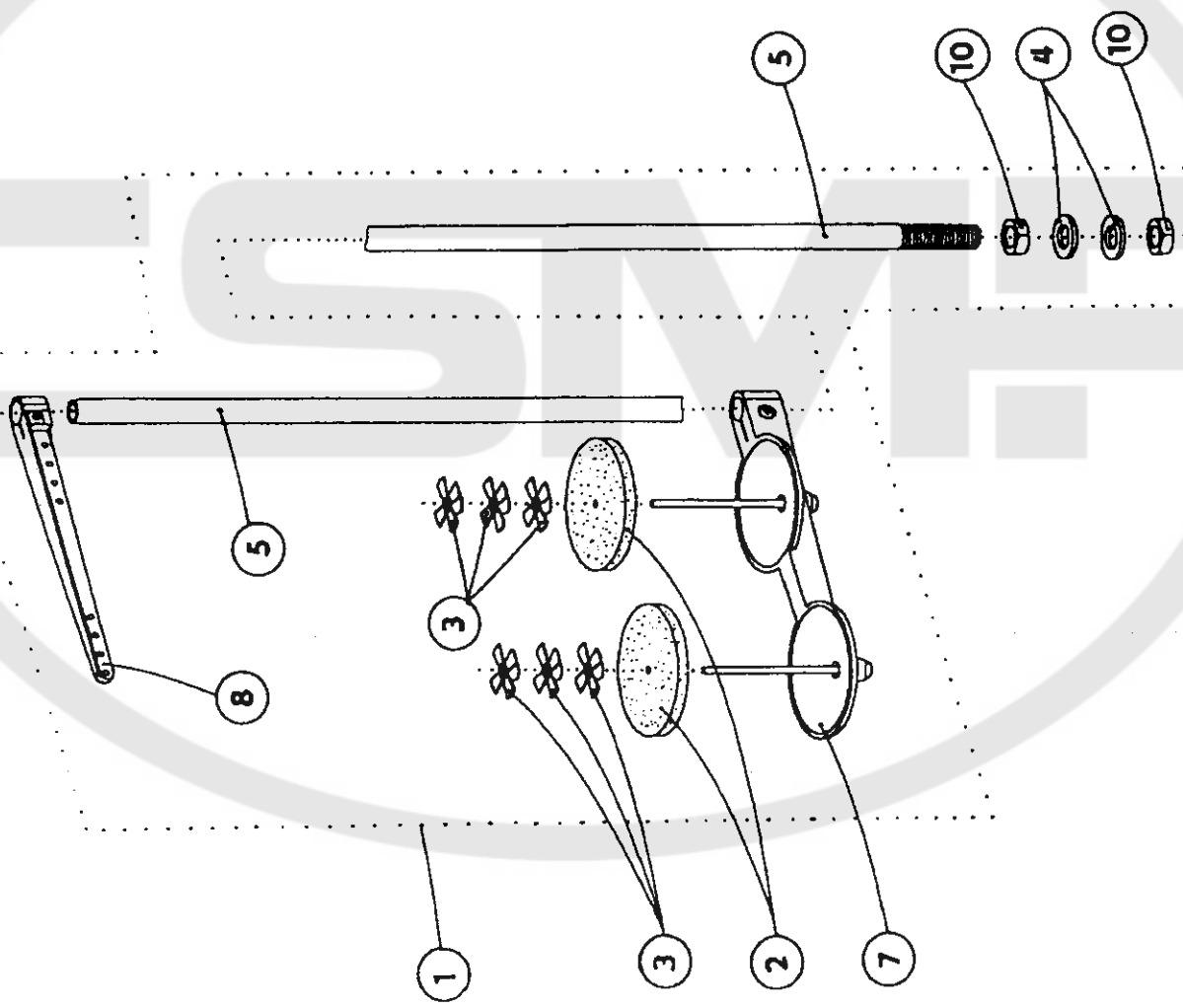
S980 099038 /3

- | | | |
|---|------|--------|
| 1 | S980 | 049109 |
| 2 | S080 | 264290 |
| 3 | S311 | 732070 |
| 4 | S080 | 613480 |
| 5 | S080 | 141109 |
| 6 | S311 | 515041 |
| 7 | S080 | 725050 |
| 8 | S980 | 044142 |

tab. 22



tab. 23



ZZ 568 H

S980 099038 /4

| | | | |
|----|------|--------|------|
| 1 | S981 | 036163 | |
| 2 | 0077 | 110220 | 4 x |
| 3 | 0077 | 110230 | 12 x |
| 4 | 9330 | 000177 | |
| 5 | 0791 | 001081 | |
| 7 | 0791 | 001091 | 2 x |
| 8 | 0791 | 001096 | 2 x |
| 10 | 0995 | 340617 | |

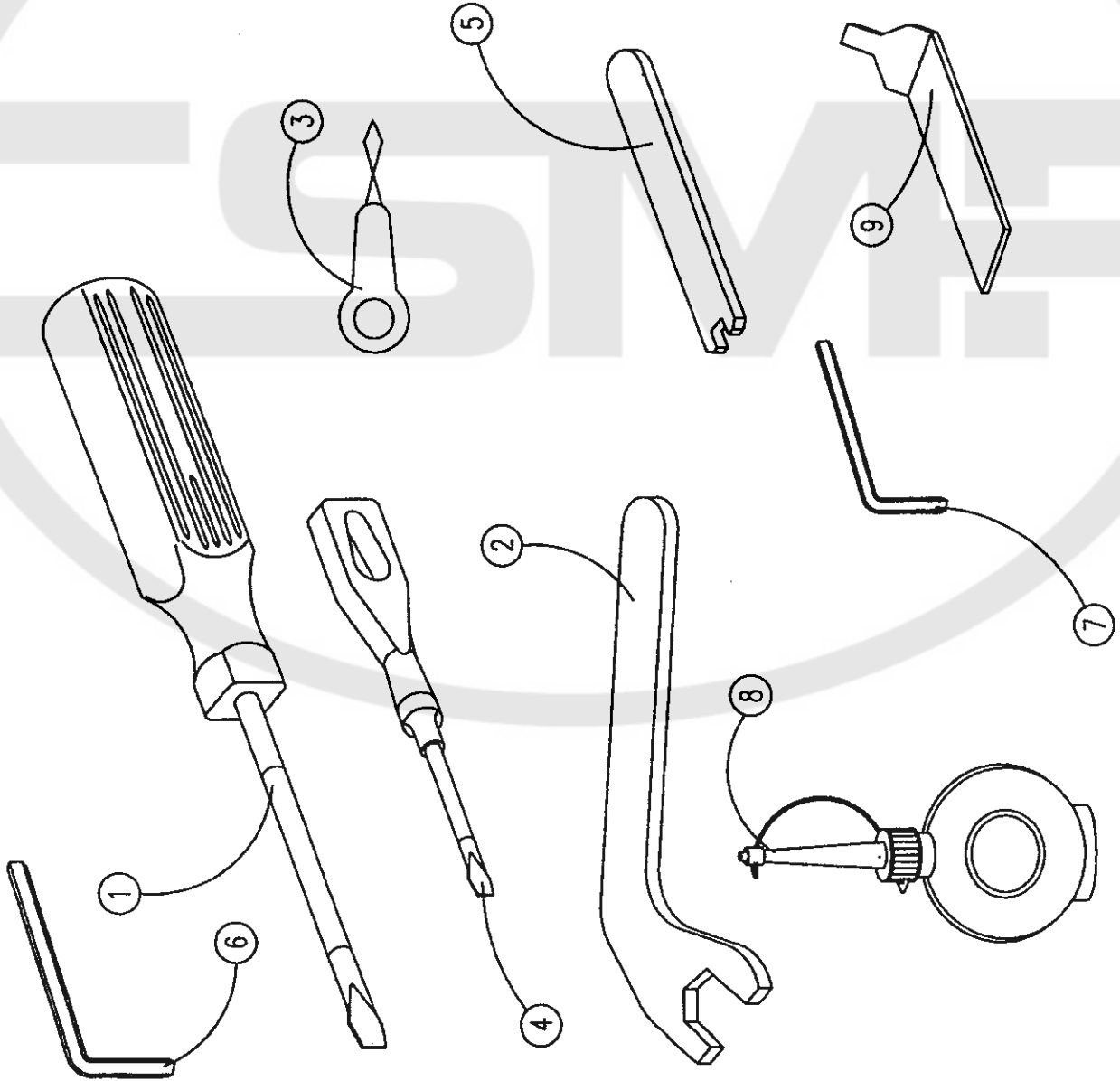
ZZ 568 H

S980 099038 /5

- 1 S413 731023
- 2 S080 818273
- 3 S548 001000
- 4 S413 310002
- 5 S080 813481
- 6 S413 000500
- 7 S413 000400
- 8 S562 002000
- 9 S080 829796
- 10 S980 092220

tab. 24

10



ZZ 568 H

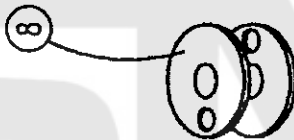
| | | | |
|---|------|--------|------|
| 1 | S980 | 092229 | 4 x |
| 2 | S080 | 265037 | 2 x |
| 3 | S321 | 953200 | 4 x |
| 4 | S315 | 264294 | 4 x |
| 5 | S080 | 683063 | 4 x |
| 6 | S080 | 683053 | 4 x |
| 7 | S273 | 025410 | 4 x |
| 8 | S080 | 685051 | 10 x |
| 9 | S080 | 690029 | 4 x |

tab. 25

1



4



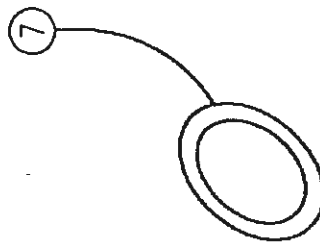
8



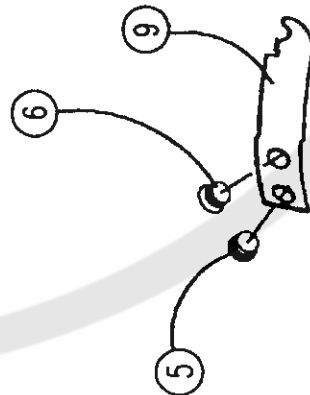
2



3



7

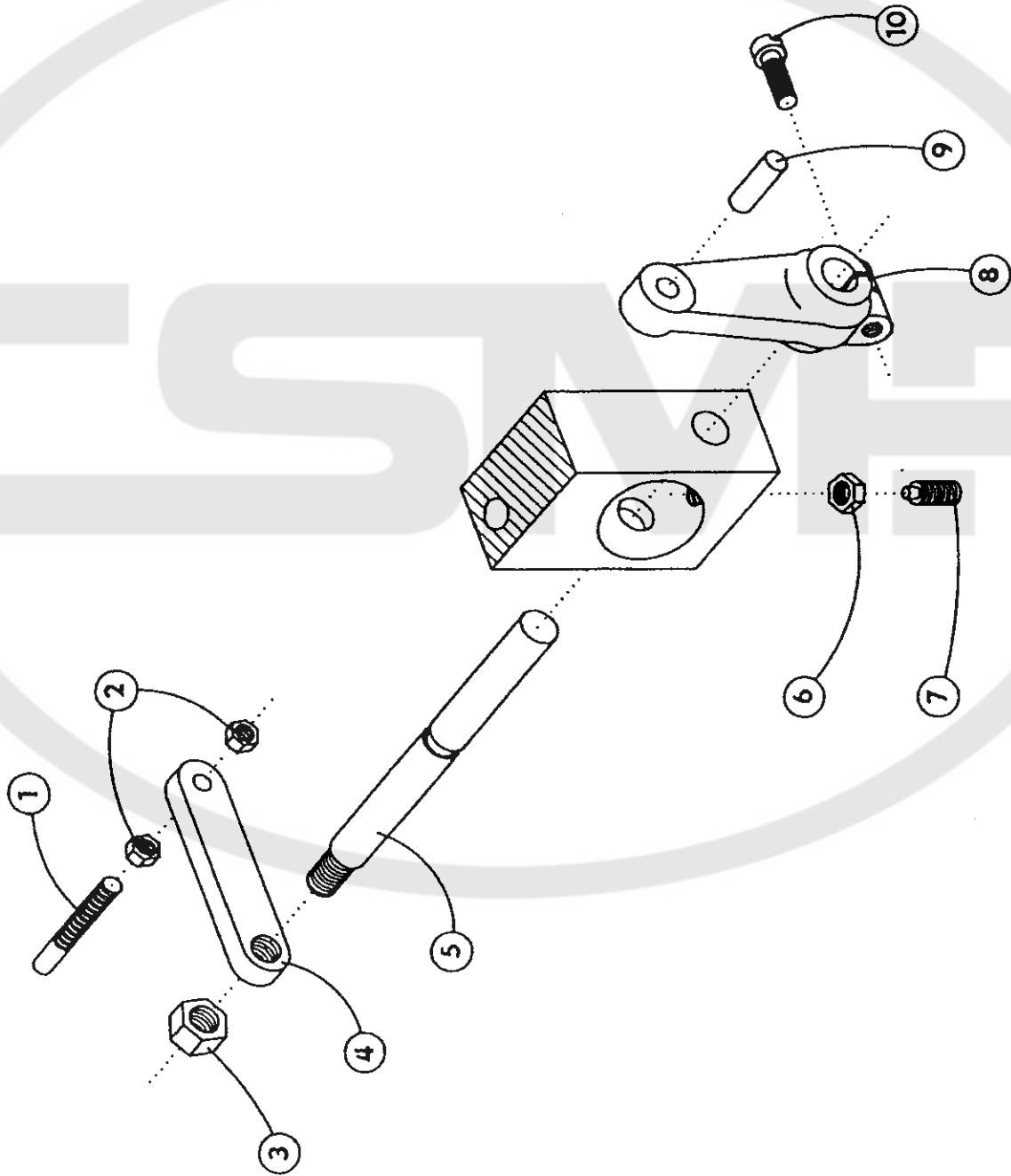


5

6

9

tab. 26

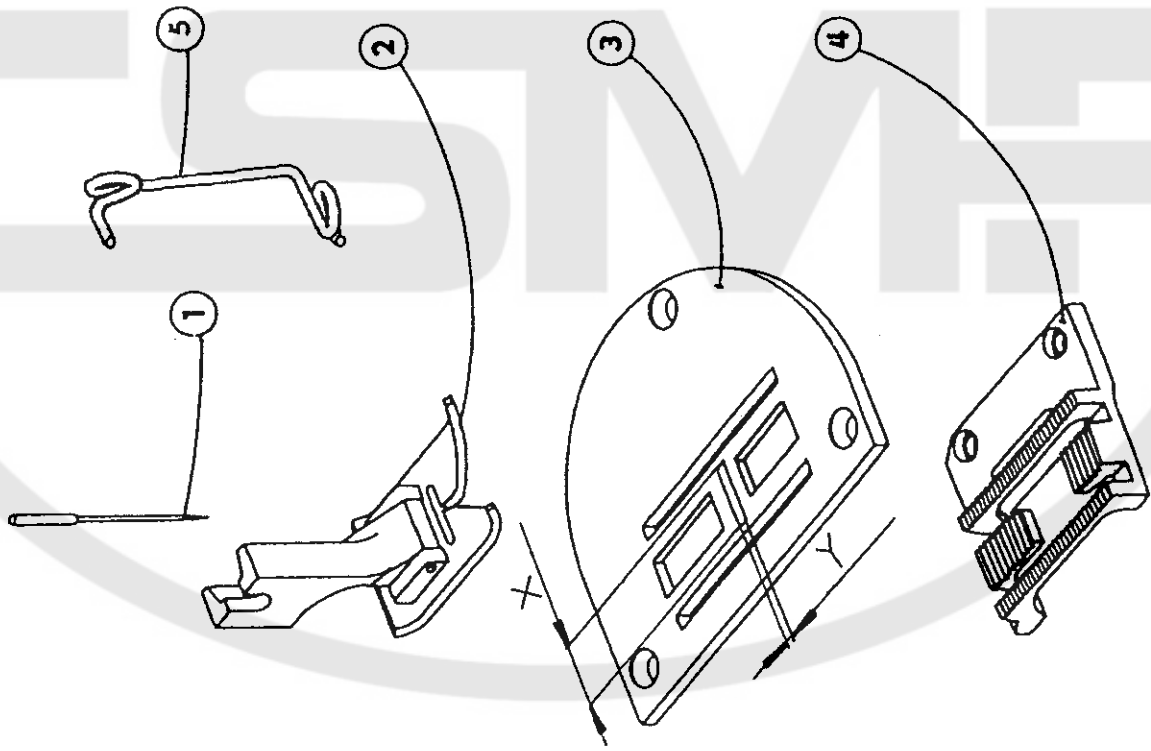


ZZ 568 H

S791 995068

| | | |
|----|------|--------|
| 1 | S080 | 316038 |
| 2 | S080 | 161143 |
| 3 | S080 | 161159 |
| 4 | S080 | 632019 |
| 5 | S080 | 342096 |
| 6 | S080 | 161140 |
| 7 | S080 | 111097 |
| 8 | S080 | 613480 |
| 9 | S311 | 515035 |
| 10 | S080 | 120230 |

tab. 27



ZZ 568 H

528 E 027

S791 124027 35

- 1 134-35 No. 120 - 11 x
 - 2 S980 031602
 - 3 S080 811557
 - 4 S080 651336
- X = 11,8 mm Y = 1,8 mm

528 E 028

S791 124028 35

- 1 134-35 No. 160 - 11 x
 - 2 S980 031648
 - 3 S080 811772
 - 4 S080 651336
 - 5 S080 271530
- X = 11,8 mm Y = 2,2 mm

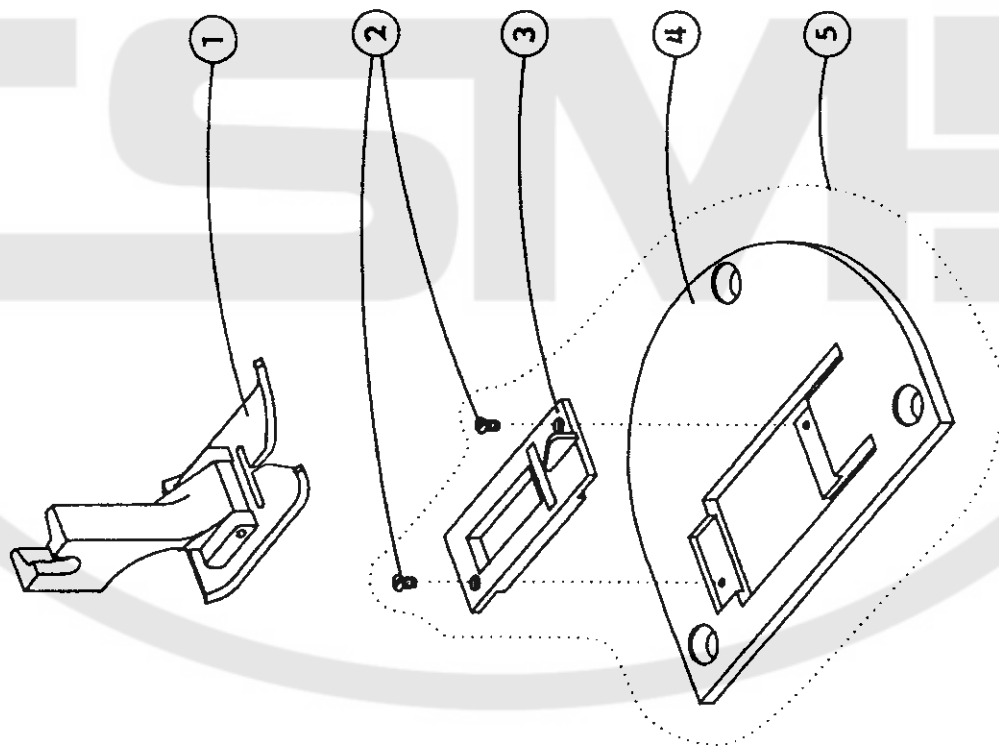
ZZ 568 H

527 E 023

S791 400023

- 1 S980 031604
- 2 S080 124061
- 3 S080 049443
- 4 S080 811633
- 5 S980 022282

tab. 28



ZZ 568 H

525 E 017
S791 151017

1 S980 031652

X = 10 mm

tab. 29



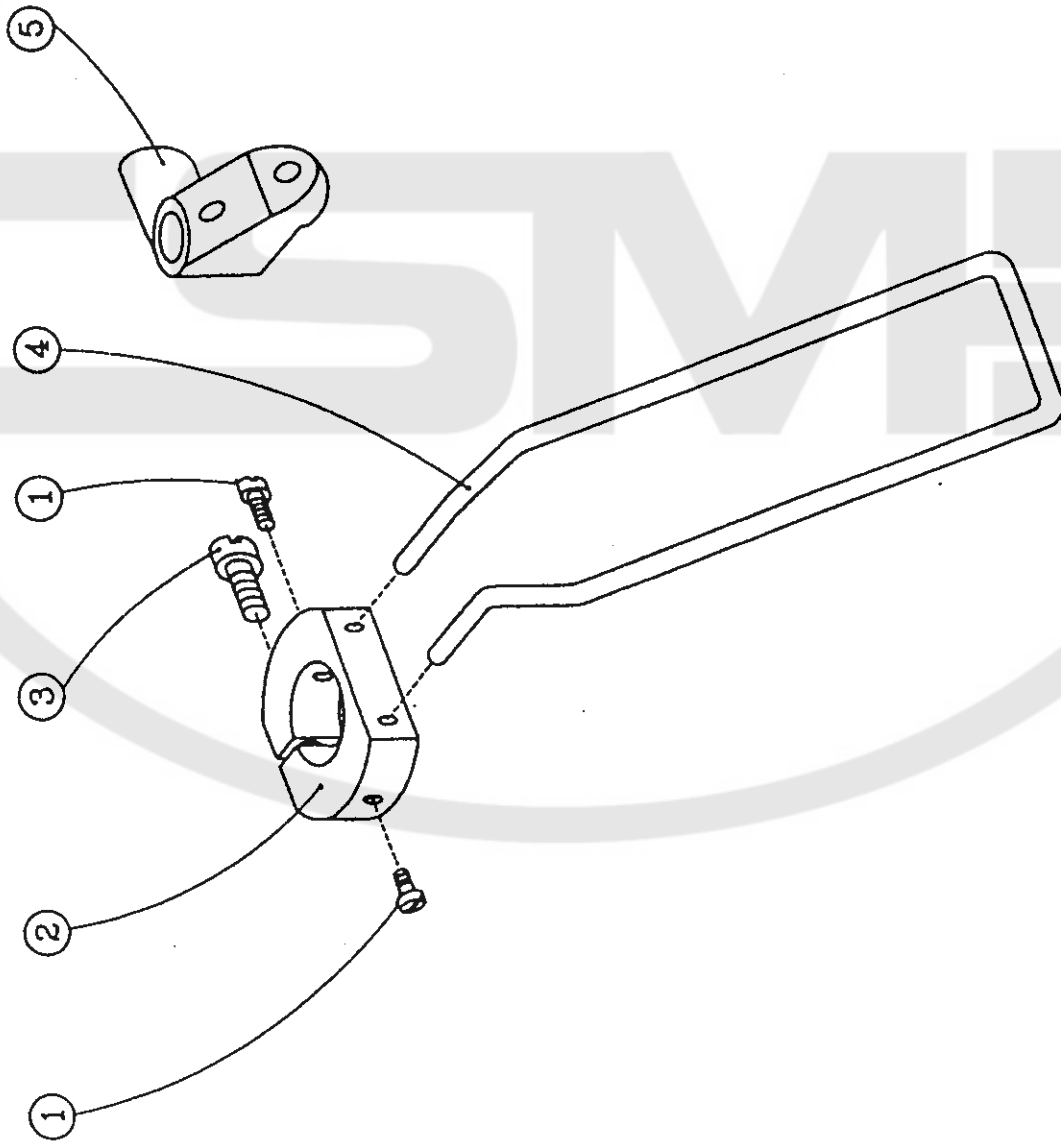
ZZ 568 H

527 N 001

S791 149001

- 1 S080 120037
- 2 S080 646136
- 3 S080 120225
- 4 S080 271441
- 5 S080 627037

tab. 30



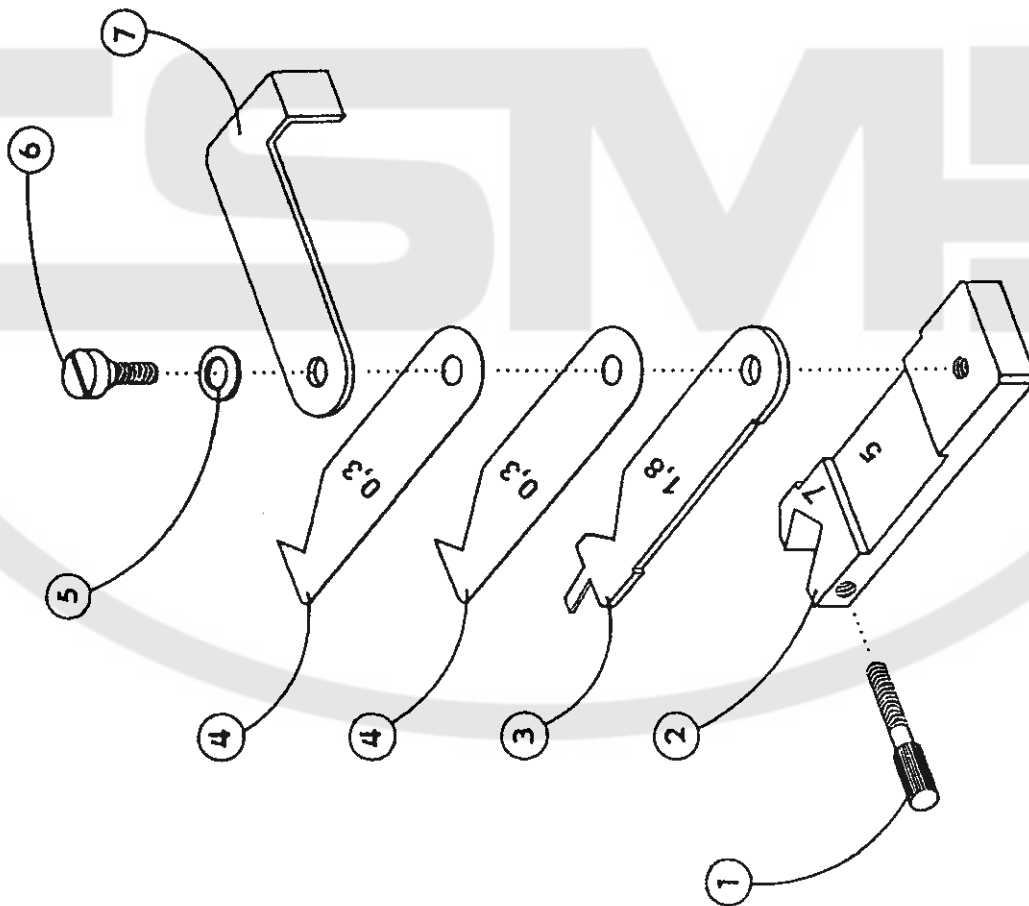
ZZ 568 H

Z001

S791 947001

| | | |
|---|------|--------|
| 1 | S080 | 133112 |
| 2 | S080 | 646148 |
| 3 | S080 | 814365 |
| 4 | S080 | 814364 |
| 5 | S080 | 192061 |
| 6 | S080 | 131404 |
| 7 | S080 | 831412 |

tab. 31















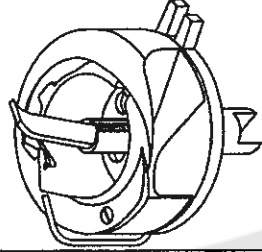
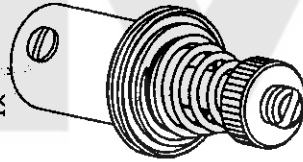




ZZ 568 H

528 Z 106

S741 41010640

tab. 32

| | | | | | |
|--|--|---|---|---|--|
| 3x S080 136082  | 3x S080 141088  | 5x S080 683063  | 5x S080 683053  | 3x S080 135029  | 3x S080 120239  |
| 5x S080 123117  | 3x S080 265037  | 1x S080 627170  | 3x S273 025410  | 3x S080 124050  | 5x S080 112013  |
| 3x S080 690029  | 5x S315 264294  | 1x S980 008253  | 1x S980 025244  | | |
| 3x S080 122029  | 1x S080 264281  | | | | |

ZZ 568 H

Z 012

S794 222012

- | | | |
|---|------|--------|
| 1 | S080 | 120692 |
| 2 | S080 | 190346 |
| 3 | 0798 | 500088 |
| 4 | 0907 | 487519 |
| 5 | 9822 | 510001 |

tab. 33

